

OPTOELECTRONICS

Displays

3M Touch Systems	88
4D Systems	89
Amulet Technologies	90
Display Tech	91
Electronic Assembly	92, 93
EPSON	94
Fujitsu	95
Hantronix	96
Lumex	97, 98
Microchip	99
Microtips	100
Mitsubishi Electric	101
Newhaven	102, 103, 104
NKK	101
Supertex	99
Texas Instruments	99

LED Displays

Avago	105
Kingbright	106, 107
LiteOn	108

Opto Drivers

Cirrus Logic	109
Exar	109
Fairchild	109
Infineon	109
Maxim Integrated	110
NXP	109
Omron	109
ON Semiconductor	111
STMicroelectronics	112

LED Lighting

Avago	113
Bivar	114
Califia Lighting	115
Carclo Technical Plastics	116
Cree	117, 118, 119, 120, 121, 122, 123, 124
DBM Optix	130
Everlight	125
Heatron	126
Kingbright	125
LedEngin	127, 128
Ledil Oy	129, 130
LEDLink Optics	130

Lumex	131
Luminus Devices	132, 133
Molex	134
Ohmite	131
Optek	131
OSRAM OS	135
Lumileds	136, 137, 138, 139
Seoul Semiconductor	140

LED Indication

Avago	141, 142, 143
Bivar	144, 145, 146, 147, 148, 149
Chicago Miniature Lighting	150, 151, 152, 153, 154
Cree	155, 156
Dialight	157, 158, 159, 160, 161, 162, 163
Everlight	164
Inspired LED	166
JKL Components	167
Keystone	168
Kingbright	169, 170, 171, 172, 173, 174
LedEngin	144
LiteOn	175, 176
Lumex	144, 165, 177, 178, 179, 180, 181
Luminus Devices	144
OSRAM OS	182, 183
Panasonic Semiconductor	184
ROHM	185, 186
Toshiba	165
VCC	144, 187, 188, 189, 190, 191, 192
Vishay Semiconductor	193

Opto Components

AMS	194
Avago	195, 196, 197, 198
Elmos	199
Everlight	199
Fairchild	200, 201, 202
Finisar	203
First Sensor	204, 205
LiteOn	206
Microsemi	210
N.J.R.	199
Optek	207
OSRAM OS	208
Renesas/CEL	209, 210
Sharp Microelectronics	211
Toshiba	212
Vishay Semiconductors	213, 214, 215, 216, 217, 218, 219

3M TOUCH SYSTEMS Multitouch Capacitive Displays



Displays

3M

This page of product is RoHS compliant.

15" DUAL-TOUCH CHASSIS DISPLAY

- Features:**
- 250-nit brightness with touchscreen
 - VESA mounting compatible, 75mm
 - Display Area WxH (mm): 304.1 x 228.1
 - Dimensions WxHxD (mm): 355.93 x 280.93 x 52.1

For quantities greater than listed, call for quote.

MOUSER STOCK NO.	3M Touch Systems Part No.	Fig.	LCD Technology	Display Colors	Pixel Pitch (mm)	Contrast Ratio	Touch Response Time Typ. (ms)	Max Resolution	Controller	Price Each
517-C1510PS	C1510PS	A	Twisted Nematic (TN)	16.2 Million	0.297x0.297	500:1	12	1024x768	USB	705.90

17" DUAL-TOUCH CHASSIS DISPLAY

- Features:**
- 250-nit brightness with touchscreen
 - VESA mounting compatible, 100mm
 - Display Area WxH (mm): 337.9 x 270.3
 - Dimensions WxHxD (mm): 394.0 x 330.0 x 57.1

For quantities greater than listed, call for quote.

517-C1710PS	C1710PS	A	Twisted Nematic (TN)	16.7 Million	0.264x0.264	1000:1	12	1280x1024	USB	852.80
-----------------------------	---------	---	----------------------	--------------	-------------	--------	----	-----------	-----	---------------

15" MICROTOUCH DISPLAY

- Features:**
- 91.5% light transmission
 - 225-nit brightness with touchscreen
 - VESA mounting compatible, 75mm
 - Display Area WxH (mm): 304.1 x 228.1
 - Dimensions WxHxD (mm): 350.4 x 277.3 x 50

For quantities greater than listed, call for quote.

MOUSER STOCK NO.	3M Touch Systems Part No.	Fig.	LCD Technology	Display Colors	Pixel Pitch (mm)	Contrast Ratio	Touch Response Time Typ. (ms)	Max Resolution	Controller	Price Each
517-11-71315-225-01	11-71315-225-01	B	TFT, Active Matrix	16.2 Million	0.297x0.297	500:1	5.4	1024x768	USB	510.99
517-11-71315-227-01	11-71315-227-01	B	TFT, Active Matrix	16.2 Million	0.297x0.297	500:1	5.4	1024x768	Serial	510.99

17" MICROTOUCH DISPLAY

- Features:**
- 91.5% light transmission
 - 225-nit brightness with touchscreen
 - VESA mounting compatible, 75mm
 - Display Area WxH (mm): 337.9 x 270.3
 - Dimensions WxHxD (mm): 405.7 x 335.1 x 49

For quantities greater than listed, call for quote.

517-11-4945-225-00	11-4945-225-00	C	TFT, Active Matrix	16.2 Million	0.264x0.264	1000:1	5.4	1280x1024	USB	610.99
------------------------------------	----------------	---	--------------------	--------------	-------------	--------	-----	-----------	-----	---------------

17" MICROTOUCH DISPLAY AND BASE

- Features:**
- 91.5% light transmission
 - 270-nit brightness with touchscreen
 - VESA mounting compatible, 100mm
 - Display Area WxH (mm): 337.9 x 270.3
 - Dimensions WxHxD (mm): 405 x 413.3 x 247

For quantities greater than listed, call for quote.

517-11-91378-225	11-91378-225	D	TFT, Active Matrix	16.2 Million	0.264x0.264	800:1	5.4	1280x1024	USB	643.99
517-11-91378-227	11-91378-227	D	TFT, Active Matrix	16.2 Million	0.264x0.264	800:1	5.4	1280x1024	Serial	643.99

22" MULTITOUCH DISPLAY

- Features:**
- 225-nit brightness with touchscreen
 - VESA Pattern: 100mm x 100mm
 - Display Area WxH (mm): 473.8 x 296.1
 - Dimensions WxHxD (mm): 500 x 328.4 x 51.87

For quantities greater than listed, call for quote.

MOUSER STOCK NO.	3M Touch Systems Part No.	Fig.	LCD Technology	Display Colors	Pixel Pitch (mm)	Contrast Ratio	Touch Response Time Typ. (ms)	Max Resolution	Controller	Price Each
517-C2234SW	C2234SW	E	TFT, Active Matrix	16.7 Million	0.282 x 0.282	1000:1	5.4	1680x1050	USB, Serial	799.00
517-C2254PW	C2254PW	F	P-MVA	16.7 Million	0.282 x 0.282	1000:1	12	1680x1050	USB, Serial	1563.23

32" MULTITOUCH DISPLAY

- Features:**
- 450-nit brightness with touchscreen
 - VESA Pattern: 200mm x 200mm
 - Display Area WxH (mm): 698.4 x 392.85
 - Dimensions WxHxD (mm): 918.21 x 596.9 x 205.74

For quantities greater than listed, call for quote.

517-C3266PW	C3266PW	G	In Plane Switching (IPS)	1.06 Billion	0.364x0.364	1300:1	10	1920x1080	USB, Serial	4635.51
-----------------------------	---------	---	--------------------------	--------------	-------------	--------	----	-----------	-------------	----------------

21" MULTITOUCH DISPLAY AND BASE

- Features:**
- 250-nit brightness with touchscreen
 - VESA Pattern: 100mm x 100mm
 - Display Area WxH (mm): 476 x 268
 - Dimensions WxHxD (mm): 525 x 378 x 180

For quantities greater than listed, call for quote.

MOUSER STOCK NO.	3M Touch Systems Part No.	Fig.	LCD Technology	Display Colors	Pixel Pitch (mm)	Contrast Ratio	Touch Response Time Typ. (ms)	Max Resolution	Controller	Price Each
517-M2167PW	M2167PW	H	P-MVA	16.7 Million	0.248x0.248	5000:1	10	1920x1080	USB	1522.48

24.5" MULTITOUCH DISPLAY AND BASE

- Features:**
- 250-nit brightness with touchscreen
 - VESA Pattern: 100mm x 100mm
 - Display Area WxH (mm): 531.4 x 298.9
 - Dimensions WxHxD (mm): 576 x 432 x 250

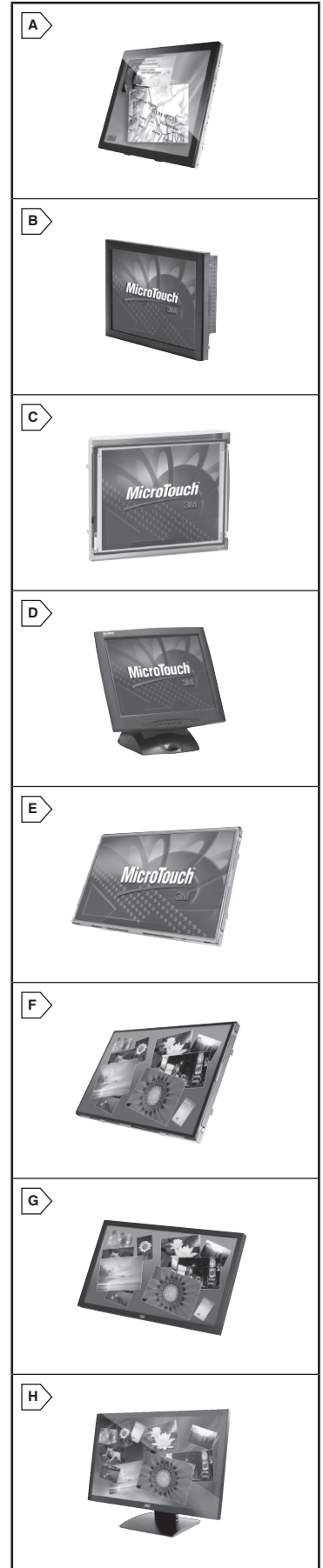
For quantities greater than listed, call for quote.

MOUSER STOCK NO.	3M Touch Systems Part No.	Fig.	LCD Technology	Display Colors	Pixel Pitch (mm)	Contrast Ratio	Touch Response Time Typ. (ms)	Max Resolution	Controller	Price Each
517-M2467PW	M2467PW	H	P-MVA	16.7 Million	0.277x0.277	5000:1	16	1920x1080	USB	1837.48

HARDWARE

For quantities greater than listed, call for quote.

MOUSER STOCK NO.	3M Touch Systems Part No.	Description	Price Each
517-29368	29368	Industrial Flange Bezel for CT150 Touch Monitor	104.00
517-29369	29369	Contour Flange Bezel for CT150 Touch Monitor	32.50
517-5021104	5021104	Industrial Flange Bezel for C1700SS Touch Monitor	104.00



4D SYSTEMS Display Modules and Controllers

RoHS Compliant This page of product is RoHS compliant.



INTELLIGENT DISPLAY MODULES

MOUSER STOCK NO.	4D Systems Part No.	Description	Dimensions (WxHxD) (mm)	Viewing Area (mm)	Display Resolution	Price Each		
						1	5	
						For quantities greater than listed, call for quote.		
971-PICADILLO-35T	PICadillo-35T	PIC32 3.5" TFT Display Module	56.9x97.6x15.8	49.7x77	320x480	110.00	106.62	
971-LCD-144-G2	uLCD-144-G2	1.44" Intelligent Goldelox LCD Module	43x31x6.4	25.5x26.5	128x128	33.87	32.31	
971-ULCD-220RD	uLCD-220RD	1.38" Round TFT Diablo16 Intelligent Display Module	42.4x46.9x14.1	35.1	220x220	76.66	74.30	
971-ULCD-24PTU	uLCD-24PTU	2.4" QVGA Intelligent Picaso Touch Screen LCD Module	48.64x60.7x14	36.72x48.96	240x320	57.09	54.46	
971-ULCD-28PTU	uLCD-28PTU	2.8" QVGA Intelligent Picaso Touch Screen LCD Module	50.8x69.8x12	43.2x57.6	240x320	66.77	63.69	
971-ULCD-32PTU	uLCD-32PTU	3.2" QVGA Intelligent Picaso Touch Screen LCD Module	55.1x77x13.8	48.6x64.8	240x320	76.45	72.92	
971-ULCD-35DT	uLCD-35DT	3.5" Diablo16 Intelligent Display Module	56.9x97.6x15.8	49.7x77	480x320	84.76	82.15	
971-ULCD-70DT	ULCD-70DT	7" Intelligent Diablo Touch Screen LCD Module	179.9x100x15.5	154.1x85.9	800x480	179.00	165.23	
Starter Kits								
971-SK-160G2	SK-160G2	1.7" Intelligent Starter Kit with 2GB microSD Card and programming adapter				85.00	-	
971-SK-220RD	SK-220RD	1.38" Intelligent Starter Kit with 2GB microSD Card and programming adapter				83.06	77.87	
971-SK-24PTU	SK-24PTU	2.4" Intelligent Starter Kit with 2GB SD card and programming adapter				63.20	59.25	
971-SK-28PTU	SK-28PTU	2.8" Intelligent Starter Kit with 2GB SD card and programming adapter				71.20	66.75	
971-SK-32PTU	SK-32PTU	3.2" Intelligent Starter Kit with 2GB SD card and programming adapter				79.20	74.25	
971-SK-35DT	SK-35DT	3.5" Intelligent Starter Kit with 2GB microSD Card and programming adapter				87.20	81.75	
971-SK-43PT	SK-43PT	4.3" Intelligent Starter Kit with 2GB SD card and programming adapter				127.20	119.25	
971-SK-70DT	SK-70DT	7" Intelligent Starter Kit with 2GB microSD Card and programming adapter				199.00	183.69	
Accessories								
971-4D-BEZEL-32-B	4D-BEZEL-32-B	3.2" Bezel Black for uLCD-32PTU				9.99	9.32	
971-4D-BEZEL-32-W	4D-BEZEL-32-W	3.2" Bezel Black for uLCD-32PTU				9.99	9.32	
971-4D-BEZEL-43-B	4D-BEZEL-43-B	4.3" Bezel Black for uLCD-43PT				9.99	9.32	
971-4D-BEZEL-43-W	4D-BEZEL-43-W	4.3" Bezel Black for uLCD-43PT				9.99	9.32	

RASPBERRY PI DISPLAY MODULES

MOUSER STOCK NO.	4D Systems Part No.	Description	Price Each	
			1	5
			For quantities greater than listed, call for quote.	
971-ULCD-220RD-PI	uLCD-220RD-PI	1.38" Round LCD Raspberry Pi Display Module Pack	83.31	80.74
971-ULCD-35DT-PI	uLCD-35DT-PI	3.5" TFT LCD Raspberry Pi Display Module Pack	90.48	87.69
Starter Kits				
971-SK-220RD-PI	SK-220RD-PI	1.38" Round TFT LCD Raspberry Pi Starter Kit	88.64	83.12
971-SK-35DT-PI	SK-35DT-PI	3.5" TFT LCD Raspberry Pi Starter Kit	92.00	86.25
971-SK-70DT-PI	SK-70DT-PI	7.0" TFT LCD Raspberry Pi Starter Kit	153.75	-

ARDUINO DISPLAY MODULES

MOUSER STOCK NO.	4D Systems Part No.	Description	Price Each	
			1	5
			For quantities greater than listed, call for quote.	
971-ARDUINOADPTRSHLD	4D-Arduino-Adaptor-Shield	4D Arduino Adapter Shield	10.50	-
Starter Kits				
971-SK-220RD-AR	SK-220RD-AR	1.38" Arduino Starter Kit with 2GB microSD card and programming adapter	92.39	86.62
971-SK-24PTU-AR	SK-24PTU-AR	2.4" Arduino Starter Kit with 2GB SD card and programming adapter	71.20	66.75
971-SK-28PTU-AR	SK-28PTU-AR	2.8" Arduino Starter Kit with 2GB SD card and programming adapter	79.20	74.25
971-SK-32PTU-AR	SK-32PTU-AR	3.2" Arduino Starter Kit with 2GB SD card and programming adapter	87.20	81.75
971-SK-35DT-AR	SK-35DT-AR	3.5" Arduino Starter Kit with 2GB microSD card and programming adapter	94.16	89.25
971-SK-43PT-AR	SK-43PT-AR	4.3" Arduino Starter Kit with 2GB SD card and programming adapter	135.20	126.75
971-SK-70DT-AR	SK-70DT-AR	7" Arduino Starter Kit with 2GB microSD card and programming adapter	156.75	-
Development Tools				
971-ULCD-24PTU-AR	uLCD-24PTU-AR	2.4" uLCD-24PTU Display Module, 4D Arduino Adapter Shield, Cable	59.13	55.20
971-ULCD-28PTU-AR	uLCD-28PTU-AR	2.8" uLCD-28PTU Display Module, 4D Arduino Adapter Shield, Cable	67.70	63.20
971-ULCD-32PTU-AR	uLCD-32PTU-AR	3.2" uLCD-32PTU Display Module, 4D Arduino Adapter Shield, Cable	76.27	71.18
971-ULCD-35DT-AR	uLCD-35DT-AR	3.5" Diablo16 Display Module Arduino Kit	94.28	91.38
971-ULCD-43PT-AR	uLCD-43PT-AR	4.3" uLCD-43PT Display Module, 4D Arduino Adapter Shield, Cable	127.70	119.18
971-ULCD-70DT-AR	uLCD-70DT-AR	7.0" Diablo16 Display Module Arduino Kit	189.03	174.40
Accessory				
971-UUSBPA5	uUSB-PA5	MicroUSB Programming Adaptor, USB to UART Serial Bridge	15.00	-

BEAGLEBONE DISPLAY MODULE

MOUSER STOCK NO.	4D Systems Part No.	Description	Dimensions (WxHxD) (mm)	Viewing Area (mm)	Display Resolution	Style	Price Each	
							1	5
							For quantities greater than listed, call for quote.	
971-4DCAPE-70T	4DCAPE-70T	7.0" LCD CAPE for Beaglebone Black w/touch	179.9x114.9x19.5	Color - TFT	800x480	LCD Graphic Module	89.00	85.00

LCD DISPLAY STARTER KITS

MOUSER STOCK NO.	4D Systems Part No.	Description	Price Each	
			1	5
			For quantities greater than listed, call for quote.	
971-SK-FT843	SK-FT843	4.3" EVE Starter Kit display with FT800	69.00	64.39
971-SK-FT843-ADAM	SK-FT843-ADAM	4.3" EVE Starter Kit display with FT800 ADAM (Arduino Display Adaptor Module)	69.00	64.40

EMBEDDED GRAPHICS PROCESSORS AND CONTROLLERS

MOUSER STOCK NO.	4D Systems Part No.	Description	Price Each	
			1	5
			For quantities greater than listed, call for quote.	
971-DIABLO-16	DIABLO-16	16 Bit Embedded Graphics Controller	22.53	21.49
971-GOLDELOX	GOLDELOX	QFN28 Package, Supports OLED and LCD displays with an 80-Series 8 bit wide CPU Interface	11.24	10.72
971-PICASO	PICASO	4DGL Controller, Supports OLED and LCD displays with an 80-Series 16 bit wide CPU Interface	16.89	16.11
971-UVGA-III	uVGA-III	Tiny VGA Graphics Controller for QVGA, VGA, WVGA	54.46	52.06

AUDIO AND CAMERA MODULES

MOUSER STOCK NO.	4D Systems Part No.	Description	Dimensions (WxHxD) (mm)	Price Each	
				1	5
				For quantities greater than listed, call for quote.	
971-SOMO-II	SOMO-II	Audio-Sound Module, 90 dB, 48kHz	20.5x11.3x21	25.00	24.19
971-UCAM-II	UCAM-II	Serial JPEG Camera, 5V, 3.68Mbps-VGA, QVGA or 160x120 Res.	32x32x21	49.00	47.63
971-UCAM-II-116LENS	UCAM-II-116LENS	116 Degree Lens for UCAM-II	-	9.99	9.70
971-UCAM-II-76LENS	UCAM-II-76LENS	76 Degree Lens for UCAM-II	-	9.99	9.70

Displays
4D Systems

Products may be RoHS compliant. Check mouser.com for RoHS status.

Amulet Technologies offers graphical display solutions that include chips and LCD modules. All feature the solutions patented Amulet Graphical Operating System (OS). All offer easy hardware integration path from prototype to production. The chips include a dedicated GUI microprocessor, LCD controller, and graphical library. The GUI is visually created with HTML based development tools for rapidly creating good looking and feature-rich graphical user interfaces (GUIs). Amulet's expertise is graphical LCD integration and control.

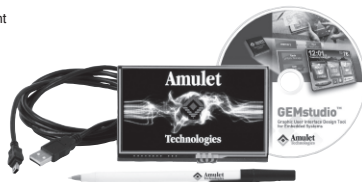
Displays

Amulet Technologies

GRAPHICAL OS LCD STARTER KIT - The fastest path for integrating a graphical user interface (GUI) into embedded products

Kits Include:

- Integrated TFT LCD display with white LED backlight
- Integrated touch panel and controller board
- USB PC Interface Cable
- 30-Day Trial of GEMstudio™ GUI, Amulet's embedded graphical user interface (GUI) design tool.



671-STK-480272C
Shown

Use this starter kit to evaluate the GRAPHICAL OS hardware and software, and to create the user-interface for your end product. Then use the module kit, and Graphical OS controller chip to go from prototype-to-production.

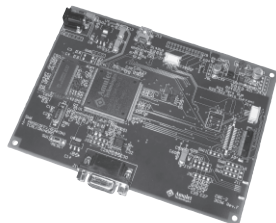
MOUSER STOCK NO.	Description	Price Each
671-STK-CY-043	4.3" Capacitive GEMstarter-kit	348.75
671-STK-480272C	4.3" Resistive GEMstarter-kit	174.31
671-STK-070R	7" Resistive GEMstarter-kit	348.75

GEMBOARD DISPLAY DRIVER BOARD

GEMboard can support a wide variety and growing list of 5.7" TFT panels. This board includes those unique electro-mechanical features to accommodate the FPC, touch panel and LED backlight for many popular 5.7" displays. The GEMboard also includes the Amulet Graphical Chip, a 32 megabit serial flash for storing GUI pages, a 64 megabit SDRAM, two touch panel connectors as well as two LED backlight connectors to accommodate a variety of 5.7" displays.

Features:

- Amulet AGB75LC04-QU-E 208 PQFP Graphical OS Chip™
- Integrated resistive 4 or 5 wire touch pane; decoder with two touch panel connectors
- Supports LCDs with LED backlight 75mA or 200mA and two backlight connectors locate on backside of PCBA
- Storage Capacity-32megabit Serial Flash (GUI page storage)
- 64megabit SDRAM (frame buffer)
- Serial Interfaces-3.3v UART, USB, RS232
- Kit includes 33-pin conductor flat panel cable
- Auxiliary FPC pad can support a variety of larger panels that use 31-pin conductors.



MOUSER STOCK NO.	Description	Price Each
671-CBC-2	Display Driver Board	198.94

GRAPHICAL OS CONTROLLER CHIP

Combination LCD Controller and user-interface engine makes it easy to integrate LCD's into embedded products that use 8/16/32-bit micros and DSPs. Replaces traditional LCD controller chip. Eliminates need for complex code to draw each pixel on LCD. Chips render graphical user interface (GUI) pages containing graphic images, widgets, and other UI objects directly to LCD. Rapidly create GUI using HTML-based development platform. Development software can be purchased separately or comes bundled with the Graphical OS Starter Kit (left).



MOUSER STOCK NO.	Description	Price Each
671-AGB75LC04-QU-E	LCD Controller Chip - Color 208 PQFP	30.26

© Copyright 2015 Mouser Electronics

GRAPHICAL OS LCD MODULE KITS - The most complete LCD solution for production

Amulet color modules are production ready GUI solutions that can significantly reduce time-to-market and initial project resource requirements for embedded product manufacturers. Compatible with GEMstudio™, Amulet modules can be easily programmed with smartphone-like Graphical User Interfaces which can be effortlessly updated and modified.

GEMmodules™ Include:

- Integrated TFT LCD display with white LED backlight
- Integrated touch panel
- Controller board with Amulet Color Graphical OS Chip™
- On-board memory -64Mb Serial Flash for storing GUI pages

Features:

- Royalty-free Graphical Operating System™
- Supports foreign language character sets (Unicode)
- Built-in font converter
- Color Depth - up to 24-bit + 8-bit alpha; for best performance, 8-bit palette is recommended
- Graphics supported include: GIF, JPEG, PNG, and more



671-MK-CY-043
Shown

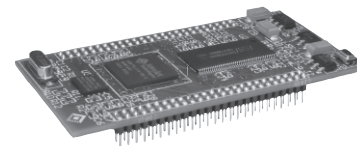
*NOTE: If purchasing an above unit for evaluation, you will also need to purchase a Program Interface Board (PIB-1). These modules require a 5V power supply (SAD105-SF5C) if you do not already have a 5V power supply.

MOUSER STOCK NO.	Description	Price Each	
		1	5
Color Kits			
671-MK-CY-043	4.3" Capacitive WQVGA TFT LCD (480x272) Color Module Kit	282.89	280.00
671-MK-480272C	4.3" Resistive WQVGA TFT LCD (480x272) Color Module Kit	221.05	216.00
671-MK-070R	7" Resistive WVA TFT LCD (800x480) Color Module Kit	282.89	269.00
Monochrome Kits			
671-MK-GT380N	3.8" STN Transmissive with bright-white backlight	271.71	258.12
671-MK-GT380T	3.8" FSTN Transflective with white backlight	320.07	289.10
* 671-MK-AOB3202405T	5.7" Transflective Graphic Display	282.56	-
* 671-MK-AOB3202405B	5.7" Blue Transmissive Graphic Display	282.56	-
* 671-MK-AOB3202405N	5.7" FSTN (-) Transmissive Graphic Display	282.56	281.93

UNIVERSAL TFT/OLED DRIVER PCBA

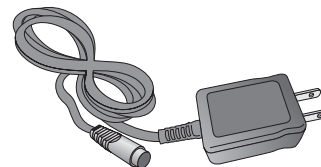
Features:

- Amulet AGB75LC04-BG-E 225-ball LFBGA
- Graphical OS Chip™
- Integrated resistive 4 or 5 wire touch panel decoder
- Small and compact 1.5"x3.0", fits within the outline of a 3.5" TFT.
- Storage Capacity - Serial Flash for storing GUI pages
- Serial Interfaces - 3.3v UART, TWI, USB



MOUSER STOCK NO.	Description	Price Each	
		1	5
671-GCC-2	GEMexpress TFT/OLED Display Driver Board	121.05	117.00

ACCESSORIES FOR LCD MODULES

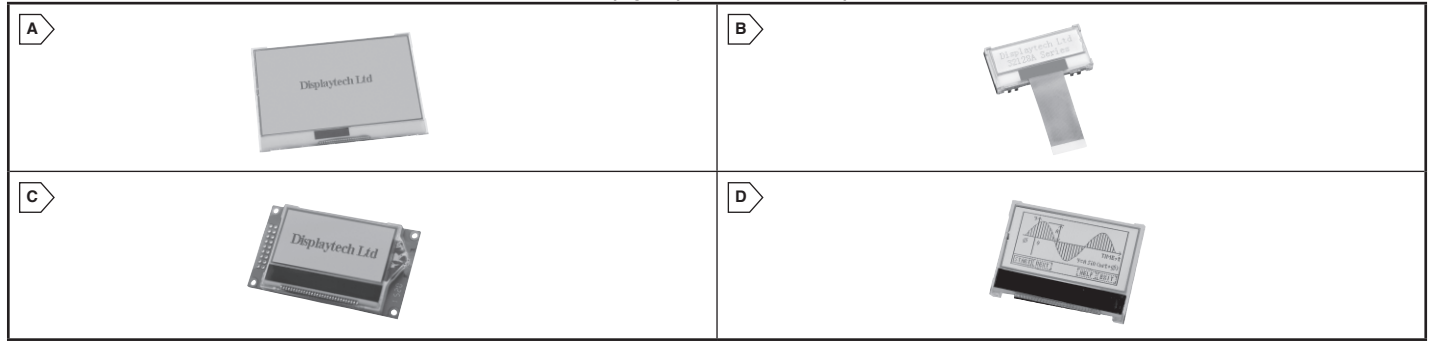


671-SAD105SF5C
Shown

MOUSER STOCK NO.	Description	Price Each
671-SAD105SF5C	5VDC Supply for Amulet Modules	19.99
671-UHT-CS1	Amulet Compiler Software	99.00

© Copyright 2015 Mouser Electronics

RoHS Compliant This page of product is RoHS compliant.



Chip On Glass (COG) Graphic Displays: By attaching the driver directly to the LCD glass it is possible to improve dot density over conventional heat seal or zebra technology. This results in the user's ability to achieve a more compact design saving space, weight, and cost. Displaytech, Ltd. is continuously expanding the range of its standard COG graphic modules, with resolution from 128 x 32 to 240 x 128 dots. These displays are offered with White LED backlight or an industry first RGB Backlight.

COG RGB LED BACKLIGHT

RGB Backlights:

Displaytech Ltd. introduces its new line of RGB backlights, with composite red, green, and blue LEDs. The three colors can be connected to be turned on individually or in combination to achieve a variety of backlight colors. For example, users can offer a product with green backlight for good conditions and red for alerts or alarms.

* With FPC Interface

For quantities greater than listed, call for quote.

MOUSER STOCK NO.	Displaytech Part No.	Fig.	Display Format	Module Size (mm) (W x H x T)	Backlight Color	Duty	Viewing Area (mm) (W x H)	Dot Size (mm) (W x H)	Price Each			
									1	10	25	50
758-S64128KFCBW-RGB	S64128K FC BW-RGB	A	128 x 64	58.2 x 41.7 x 5.7	RGB	1/65	50 x 25	0.33 x 0.33	21.05	19.64	17.68	16.07
* 758-S64128MFCBW-RGB	S64128M FC BW-RGB	A	128 x 64	77.4 x 52.4 x 6.5	RGB	1/65	70 x 40	0.48 x 0.48	26.44	25.07	23.45	22.37
758-S32128A-FCBW-RGB	S32128A FC BW-RGB	B	128 x 32	41.3 x 19.7 x 5.3	RGB	1/33	36.1 x 9.95	0.242 x 0.245	15.26	13.85	11.74	11.20
758-S64128KXWRGB	S64128KX FC BW-RGB	C	128 x 64	58.2 x 41.7 x 5.7	RGB	1/65	50 x 25	0.33 x 0.33	26.19	23.57	21.43	19.65

COG WHITE LED BACKLIGHT

* With FPC Interface

For quantities greater than listed, call for quote.

MOUSER STOCK NO.	Displaytech Part No.	Fig.	Display Format	Module Size (mm) (W x H x T)	Backlight Color	Duty	Viewing Area (mm) (W x H)	Dot Size (mm) (W x H)	Price Each			
									1	10	25	50
758-S64128LFCBW-3	S64128L FC BW-3	A	128 x 64	68.8 x 49.2 x 5.7	White	1/65	60.6 x 33.1	0.4 x 0.4	19.35	18.07	16.26	14.77
758-S64128MFCBW-3	S64128M FC BW-3	A	128 x 64	77.4 x 52.4 x 6.5	White	1/65	70 x 40	0.48 x 0.48	24.40	22.78	20.50	18.64
758-S128240DFCBW-3	S128240D FC BW-3	A	240 x 128	98.7 x 67.7 x 5.7	White	1/128	92 x 53	0.325 x 0.325	43.14	39.14	34.74	28.72
758-S32128A-FCBW-3	S32128A FC BW-3	B	128 x 32	41.3 x 19.7 x 5.3	White	1/33	36.1 x 9.95	0.242 x 0.245	14.81	13.47	11.52	9.52
758-S64128KFCBW-3	S64128K FC BW-3	D	128 x 64	58.2 x 41.7 x 5.7	White	1/65	50 x 25	0.33 x 0.33	16.52	15.42	13.88	12.62
758-S64128NW-3LP	S64128N FC BW-3LP	D	128 x 64	58.2 x 41.7 x 5.7	White	1/65	50 x 25	0.33 x 0.33	20.22	18.20	16.55	15.17
* 758-S64128MXW-3	S64128MX FC BW-3	C	128 x 64	77.4 x 52.4 x 6.5	White	1/65	70 x 40	0.48 x 0.48	30.20	27.18	24.71	22.66

TFT DISPLAYS

For quantities greater than listed, call for quote.

MOUSER STOCK NO.	Displaytech Part No.	Module Size Diag. (in.)	Display Format	Display Color	Driver IC	Viewing Area (mm) (W x H)	Module Size (mm) (W x H)	Price Each			
								1	5	10	50
758-SDT018ATFT	SDT018ATFT	1.8	128 x 160	262K	ILI9163C	35.04 x 28.03	46.7 x 34	10.12	9.34	8.67	8.09
758-DT022BTFT	SDT022ATFT	2.2	240 x 320	262K	ILI9341	33.84 x 45.12	41.7 x 56.16	15.60	14.40	13.37	12.48
758-DT024CTFT	SDT024BTFT	2.4	240 x 320	262K	ILI9341	36.72 x 48.96	42.72 x 59.46	16.05	14.82	13.76	12.84
758-DT024CTFT-TS	SDT024BTFT-TS	2.4	240 x 320	262K	ILI9341	36.72 x 48.96	42.72 x 59.46	21.76	20.09	18.65	17.42
758-SDT028ATFT	SDT028ATFT	2.8	240 x 320	262K	ILI9341	43.2 x 57.6	50 x 69.2	23.55	21.74	20.19	18.84
758-SDT028ATFT-TS	SDT028ATFT-TS	2.8	240 x 320	262K	ILI9341	43.2 x 57.6	50 x 69.2	30.15	27.83	25.84	24.12
758-SDT028ATFT-TS	SDT028ATFT-TS	2.8	240 x 320	262K	R61505U	47.0 x 60.1	50.0 x 69.2	30.15	27.83	25.84	24.12
758-SDT035TFT-TS	SDT035TFT-TS	3.5	320 x 240	16.7M	NT39016D	70.08 x 52.56	76.9 x 63.9	37.94	35.02	32.51	30.34
758-SDT043BTFT	SDT043BTFT	4.3	480 x 272	16.7M	HX8257-A	95.04 x 53.86	105.5 x 67.2	45.64	42.13	39.11	36.50
758-SDT070ATFT	SDT070ATFT	7.0	800 x 480	16.7M	HX8264 and HX8664	154.08 x 85.92	164.9 x 100	62.15	60.29	57.71	53.86
758-SDT070ATFT-TS	SDT070ATFT-TS	7.0	800 x 480	16.7M	HX8264 and HX8664	154.08 x 85.92	164.9 x 100	74.00	71.79	68.71	64.13

INTEGRATED TFT DRIVER BOARDS

Recognizing the difficulty some customers face with products going EOL too soon, Displaytech presents its line of Integrated TFT Driver Boards. These capable embedded boards simplify design and development, provide faster time to market, and offer long term continuity of supply.

For quantities greater than listed, call for quote.

MOUSER STOCK NO.	Displaytech Part No.	Module Size Diag. (in.)	Display Format	Display Color	Driver IC	Viewing Area (mm) (W x H)	Module Size (mm) (W x H)	Price Each			
								1	5	10	50
758-SINT018ATFT	SINT018ATFT	1.8	128 x 160	65K	RA8872	35.04 x 28.03	61.50 x 60	24.09	23.37	22.37	20.88
758-SINT022ATFT	SINT022ATFT	2.2	240 x 320	65K	RA8872	45.12 x 33.84	61.50 x 60	27.71	26.88	25.73	24.02
758-SINT024BTFT	SINT024BTFT	2.4	240 x 320	65K	RA8872	48.96 x 36.72	61.50 x 60	27.29	26.48	25.34	23.65
758-SINT024BTFT-TS	SINT024BTFT-TS	2.4	240 x 320	65K	RA8872	48.96 x 36.72	61.50 x 60	31.63	30.69	29.37	27.42
758-SINT028ATFT	SINT028ATFT	2.8	240 x 320	65K	RA8872	57.60 x 43.20	71.20 x 60	31.12	30.19	28.90	26.97
758-SINT028ATFT-TS	SINT028ATFT-TS	2.8	240 x 320	65K	RA8872	57.60 x 43.20	71.20 x 60	36.05	34.98	33.48	31.25
758-SINT035TFT	SINT035TFT	3.5	320 x 240	16.7M	SSD1963	52.56 x 70.08	66 x 87	46.85	45.46	43.51	40.61
758-SINT035TFT-TS	SINT035TFT-TS	3.5	320 x 240	16.7M	SSD1963	52.56 x 70.08	66 x 87	51.92	50.37	48.21	44.99
758-SINT043BTFT	SINT043BTFT	4.3	480 x 272	262K	SSD1961	53.86 x 95.04	69.70 x 116.20	61.02	59.20	56.66	52.88
758-SINT043BTFT-TS	SINT043BTFT-TS	4.3	480 x 272	262K	SSD1961	53.86 x 95.04	69.70 x 116.20	68.94	66.88	64.02	59.75
758-SINT070ATFT-TS	SINT070ATFT-TS	7.0	800 x 480	16.7M	SSD1963	85.92 x 154.08	103 x 175	100.58	97.57	93.39	87.17

TFT DISPLAY EMBEDDED DEMONSTRATION BOARD

For quantities greater than listed, call for quote.

MOUSER STOCK NO.	Displaytech Part No.	Description	Price Each
758-EMB024TFTDEMO	EMB024TFTDEMO	2.75 x 2.72, 5V, DT024CTFT with PIC24FJ256DA210	161.25
758-EMB028TFTDEMO	EMB028TFTDEMO	3.25 x 2.75, 5V, DT028ATFT with PIC24FJ256DA210	173.75
758-EMB035TFTDEMO	EMB035TFTDEMO	3.5 x 2.5, 5V, DT035TFT with PIC24FJ256DA210	186.25
758-EMB043TFTDEMO	EMB043TFTDEMO	5.25 x 3.5, 5V, DT043BTFT with PIC24FJ256DA210	198.75

QB SERIES GLOBAL POWER SUPPLIES

Displaytech's Qb Series Global 5W Power Supplies fill a void in the marketplace of 5W power supply offerings; specifically the highly demanded 5V 1A USB output solutions. While there are many solutions for these 5W SMPS's that provide a sleek look combined with a small form factor, none of these choices offer global interchangeability combined with that look as well as low cost. Features include small design (32mm³), MFI compliant, USB or fixed cord output, and fold away US blades.

Features:

- Interchangeable inputs for global markets
- USB or Fixed cord output
- One year warranty
- Small design 32mm³
- Available in custom colors

For quantities greater than listed, call for quote.

MOUSER STOCK NO.	Displaytech Part No.	No. of Outputs	Input Voltage Range (VAC)	Output Power (W)	Output Voltage (V)	Output Current (A)	AC Plugs	Color	Price Each			
									1	10	100	500
758-HDP-QB-0004	HDP-QB-0004	1	90-264	5	5	1	US, +EU, AU, UK	White	7.50	6.66	6.10	5.65
758-HDP-QB-0005	HDP-QB-0005	1	90-264	5	5	1	US, +EU, AU, UK	Black	7.50	6.66	6.10	5.65
758-HDP-QB-WUSB-B	HDP-QB-WUSB-B	1	90-264	5	5	1	US	White	5.35	4.84	4.43	4.09
758-HDP-QB-BUSB-B	HDP-QB-BUSB-B	1	90-264	5	5	1	US	Black	5.35	4.84	4.43	4.09

ELECTRONIC ASSEMBLY Modules

ELECTRONIC ASSEMBLY
new display design

RoHS Compliant This page of product is RoHS compliant.

OLED DISPLAYS

For quantities greater than listed, call for quote.

MOUSER STOCK NO.	Electronic Assembly Part No.	Module Size (mm)	Viewing Area		Display Format	Contrast	Operating Temp. Range	Price Each			
			Width	Height				1	10	50	100
790-EAW082-XLG	EA W082-XLG	58x32	38.0	16.0	2x8	Yellow/Green	-40 to +80°C	30.06	26.36	23.48	22.65
790-EAW162-X3LG	EA W162-X3LG	80x36	66.0	16.0	2x16	Yellow/Green	-40 to +80°C	42.14	37.32	34.31	33.10
790-EAW162-X3LW	EA W162-X3LW	80x36	66.0	16.0	2x16	Ice White	-40 to +80°C	44.36	39.29	36.12	34.85
790-EAW162-XLG	EA W162-XLG	84x44	66.0	16.0	2x16	Yellow/Green	-40 to +80°C	50.57	44.79	41.18	39.73
790-EAW162-XBLG	EA W162-XBLG	122x55	99.0	24.0	2x16	Yellow/Green	-40 to +80°C	71.54	64.64	60.33	57.32
790-EAW162-XBLW	EA W162-XBLW	122x55	99.0	24.0	2x16	Ice White	-40 to +80°C	75.74	68.44	63.88	60.68
790-EAW202-XLG	EA W202-XLG	116x37	85.0	18.6	2x20	Yellow/Green	-40 to +80°C	57.68	51.08	46.96	45.31
790-EAW204-XLG	EA W204-XLG	98x60	70.0	25.2	4x20	Yellow/Green	-40 to +80°C	69.43	62.74	58.56	55.63

DIP MODULES

For quantities greater than listed, call for quote.

MOUSER STOCK NO.	Electronic Assembly Part No.	Module Size (mm)	Display Format	Display Type	Contrast	Operating Temp. Range	Display Mode	Price Each			
								1	10	50	100
Character											
790-EADIP081CHNLED	EA DIP081-CHNLED	68x27	1x8	STN (+)	Yellow/Green	-20 to +70°C	Transmissive	24.53	21.68	18.94	16.54
790-EADIP162DHNLED	EA DIP162-DHNLED	68x27	2x16	STN (+)	Yellow/Green	-20 to +70°C	Transmissive	24.53	21.68	18.94	16.54
790-EADIP203B-4NLW	EA DIP203B-4NLW	75x27	4x20	STN (-)	Blue/White	-20 to +70°C	Transmissive	38.91	34.39	30.04	26.24
790-EADIP162DN3LW	EA DIP162-DN3LW	68x27	2x16	STN (-)	Blue/White	-20 to +70°C	Transmissive	27.26	24.09	21.04	18.38
Graphic											
790-EADIP122B5NLW	EA DIP122B-5NLW	75x27	122x32	STN (-)	Blue/White	-20 to +70°C	Transmissive	34.22	30.01	26.73	25.79
790-EADIP1286N5LW	EA DIP128-6N5LW	75x27	128x64	STN (-)	Blue/White	-20 to +70°C	Transmissive	47.46	42.03	38.64	37.28
790-EADIP128J6N5LW	EA DIP128J-6N5LW	75x27	128x64	FSTN (+)	Black/White	-20 to +70°C	Transmissive	50.57	44.79	41.18	39.73
790-EADIP180B5NLW	EA DIP180B-5NLW	102x27	180x32	STN (-)	Blue/White	-20 to +70°C	Transmissive	44.36	39.29	36.12	34.85
790-EDIP128B-6LW	EA EDIP128B-6LW	71.4x54.4	128x64	STN (-)	Blue/White	-20 to +70°C	Transflective	75.74	68.44	63.88	60.68
790-EDIP128W-6LW	EA EDIP128W-6LW	71.4x54.4	128x64	STN (-)	Black/White	-20 to +70°C	Transflective	75.74	68.44	63.88	60.68
790-EDIP160B-7LW	EA EDIP160B-7LW	81.5x67.5	160x104	STN (-)	Blue/White	-20 to +70°C	Transflective	95.06	88.73	87.14	79.85
790-EDIP160W-7LW	EA EDIP160W-7LW	81.5x67.5	160x104	STN (-)	Blue/White	-20 to +70°C	Transflective	95.06	88.73	87.14	79.85
Graphic with Touch Panel											
790-EADIP128J6N5LWTP	EA DIP128J6N5LWTP	75x27	128x64	FSTN (+)	Black/White	-20 to +70°C	Transmissive	66.55	58.94	54.18	52.28
790-EDIP128B-6LWTP	EA EDIP128B-6LWTP	71.4x54.4	128x64	STN (-)	Blue/White	-20 to +70°C	Transflective	83.65	78.07	76.68	70.26
790-EDIP128W-6LWTP	EA EDIP128W-6LWTP	71.4x54.4	128x64	FSTN (+)	Black/White	-20 to +70°C	Transflective	83.65	78.07	76.68	70.26
790-EDIP160B-7LWTP	EA EDIP160B-7LWTP	81.5x67.5	160x104	FSTN (+)	Black/White	-20 to +70°C	Transflective	106.46	101.14	96.96	95.06
790-EDIP160W-7LWTP	EA EDIP160W-7LWTP	81.5x67.5	160x104	FSTN (+)	Black/White	-20 to +70°C	Transflective	106.46	101.14	96.96	95.06
Mini											
790-EADIPS082HN	EA DIPS082-HN	40x20	1x8	STN (+)	Yellow/Green	-20 to +70°C	Reflective	13.59	12.54	10.45	9.93
790-EADIPS082HNLED	EA DIPS082-HNLED	40x20	2x8	STN (+)	Yellow/Green	-20 to +70°C	Transmissive	15.32	14.14	11.78	11.20
790-EA8081A3N	EA 8081-A3N	40x20	2x8	STN (+)	Gray	0 to +50°C	Reflective	16.96	16.24	12.63	10.82

STARTER KITS

For quantities greater than listed, call for quote.

MOUSER STOCK NO.	Electronic Assembly Part No.	Description	Price Each
790-EAEVALEDIP240J	EA EVALeDIP240J	Starter set black/white with touch and USB programmer	216.59
790-EVALEDIPTFT43	EA EVALeDIP1TFT43	Starter Set COLOR with touch and USB programmer	275.28
790-EVALEDIPTFT32	EA EVALeDIP1TFT32	Starter Set COLOR with touch and USB programmer for eDIP1TFT32-A	215.48
790-EVALEDIP128B	EA EVALeDIP128B	Starter Evaluation Kit Blue-White with Interface and CD	133.09
790-EVALEDIP160B	EA EVALeDIP160B	Starter Evaluation Kit Blue-White with Interface and CD	158.44
790-EVALEDIP160W	EA EVALeDIP160W	Starter Evaluation Kit Black-White with Interface and CD	158.44
790-EVALEDIPTFT70	EVALeDIP1TFT70	16-Bit Color Intelligent TFT Starter Kit with USB and Evaluation Board	418.28

CONTROL PANEL

For quantities greater than listed, call for quote.

MOUSER STOCK NO.	Electronic Assembly Part No.	Description	Price Each			
			1	5	10	50
790-EAKIT1205LEDTK	EA KIT120-5LEDTK	120x32 Dots with LED Illumination Yellow/Green	130.04	125.40	123.54	118.43

ACCESSORIES

For quantities greater than listed, call for quote.

MOUSER STOCK NO.	Electronic Assembly Part No.	Description	Price Each			
			1	10	50	100
790-EAB2009	EA B200-9	Socket 2.0mm, 9 pins (2-pcs. are required for each module)	.84	.70	.644	.63
790-EAB25412	EA B254-12	Socket 2.0mm, 12 pins (2-pcs. are required for each module)	1.53	1.27	.969	.918
790-EAB25420	EA B254-20	Socket 2.54mm, 20 pins (2-pcs. are required for each module)	2.04	1.81	1.51	1.43
790-EAFL20P	EA FL-20P	Socket 2.54mm, 20-pins (2-pcs. are required for each module)	2.28	1.90	1.44	1.36
790-EA9780-2USB	EA 9780-2USB	Starter/Demoboard, DOGM/Windows, USB	44.36	-	-	-
790-EATOUCH1281	EA TOUCH128-1	Touch panel analog	15.81	14.59	12.16	11.55
790-EAWF10004S	EA WF100-04S	ZIF connector for EA TOUCH128-1	2.96	2.73	2.28	2.16
790-EA0FP2417SW	EA 0FP241-7SW	Mounting Bezel - Black Anodized for EA eDIP240 Displays	45.46	40.26	37.01	35.72
790-0FP322-32SW	EA 0FP322-32SW	Mounting Bezel - Black Anodized for EA eDIP1TFT32-A	44.50	37.88	34.22	32.51
790-EA0FP3218SW	EA 0FP321-8SW	Mounting Bezel - Black Anodized for EA eDIP320 Displays	55.61	47.34	42.77	40.63
790-0FP481-43SW	EA 0FP481-43SW	Mounting Bezel - Black Anodized for EA eDIP1TFT43 Displays	50.66	43.12	38.96	37.01
790-0F1301-6SW	EA 0F1301-6SW	Black Mounting Bezel for EA eDIP128 Series	44.50	37.88	34.22	32.51
790-0FP161-7SW	EA 0FP161-7SW	Black Mounting Bezel for EA eDIP160 Series	44.50	37.88	34.22	32.51
790-0FP801-70SW	0FP801-70SW	Aluminium Mounting Bezel - Black Anodized for EA eDIP1TFT70 series	53.23	47.14	43.34	41.82

ELECTRONIC ASSEMBLY Modules and Accessories

RoHS Compliant This page of product is RoHS compliant.

DOG M MODULES

- Runs on 3.3V systems without auxiliary power
- Also used on traditional 5V systems (character type only)
- 4-bit, 8-bit and SPI interface (4-wire)
- 4-bit, 8-bit and SPI interface (4-wire)
- 4-bit, 8-bit and SPI interface (4-wire)
- 4-bit, 8-bit and SPI interface (4-wire)
- Typical power consumption of only 250µA in full operation
- Easy installation by simply soldering into the board
- Graphic: 150UA (DOGM132-5)
- Graphic: SPI interface only
- Graphic: 250UA (DOGM128-6)

For quantities greater than listed, call for quote.

MOUSER STOCK NO.	Electronic Assembly Part No.	Module Size (mm)	Display Format	Display Type	Contrast	Operating Temp. Range	Display Mode	Price Each			
								1	10	50	100
Character											
790-EADOGM081BA	EA DOGM081B-A	55 x 31	1 x 8	STN (-)	Blue	-20 to +70°C	Transmissive	14.28	13.68	10.64	9.12
790-EADOGM081EA	EA DOGM081E-A	55 x 31	1 x 8	STN (+)	Yellow/Green	-20 to +70°C	Transmissive	11.85	10.94	9.12	8.66
790-EADOGM081LA	EA DOGM081L-A	55 x 31	1 x 8	STN (+)	Yellow/Green	-20 to +70°C	Reflective	11.85	10.94	9.12	8.66
790-EADOGM081SA	EA DOGM081S-A	55 x 31	1 x 8	FSTN (-)	Black	-20 to +70°C	Transmissive	14.28	13.68	10.64	9.12
790-EADOGM081WA	EA DOGM081W-A	55 x 31	1 x 8	FSTN (+)	White	-20 to +70°C	Transflective	11.85	10.94	9.12	8.66
790-EADOGM162BA	EA DOGM162B-A	55 x 31	2 x 16	STN (-)	Blue	-20 to +70°C	Transmissive	12.85	11.86	9.88	9.39
790-EADOGM162EA	EA DOGM162E-A	55 x 31	2 x 16	STN (+)	Yellow/Green	-20 to +70°C	Transmissive	15.48	14.82	11.53	9.88
790-EADOGM162LA	EA DOGM162L-A	55 x 31	2 x 16	STN (+)	Yellow/Green	-20 to +70°C	Reflective	12.85	11.86	9.88	9.39
790-EADOGM162SA	EA DOGM162S-A	55 x 31	2 x 16	FSTN (-)	Black	-20 to +70°C	Transmissive	12.85	11.86	9.88	9.39
790-EADOGM162WA	EA DOGM162W-A	55 x 31	2 x 16	FSTN (+)	White	-20 to +70°C	Transflective	12.85	11.86	9.88	9.39
790-EADOGM163BA	EA DOGM163B-A	55 x 31	3 x 16	STN (-)	Blue	-20 to +70°C	Transmissive	16.21	15.52	12.07	10.34
790-EADOGM163EA	EA DOGM163E-A	55 x 31	3 x 16	STN (+)	Yellow/Green	-20 to +70°C	Transmissive	13.45	12.41	10.34	9.83
790-EADOGM163LA	EA DOGM163L-A	55 x 31	3 x 16	STN (+)	Yellow/Green	-20 to +70°C	Reflective	13.45	12.41	10.34	9.83
790-EADOGM163SA	EA DOGM163S-A	55 x 31	3 x 16	FSTN (-)	Black	-20 to +70°C	Transmissive	13.45	12.41	10.34	9.83
790-EADOGM163WA	EA DOGM163W-A	55 x 31	3 x 16	FSTN (+)	White	-20 to +70°C	Transflective	13.45	12.41	10.34	9.83

Graphic											
790-EADOGM132B5	EA DOGM132B-5	55 x 31	132 x 32	STN (-)	Blue	-20 to +70°C	Transmissive	14.13	13.04	10.87	10.33
790-EADOGM132E5	EA DOGM132E-5	55 x 31	132 x 32	STN (+)	Yellow/Green	-20 to +70°C	Transmissive	14.13	13.04	10.87	10.33
790-EADOGM132L5	EA DOGM132L-5	55 x 31	132 x 32	STN (+)	Yellow/Green	-20 to +70°C	Reflective	14.13	13.04	10.87	10.33
790-EADOGM132S5	EA DOGM132S-5	55 x 31	132 x 32	FSTN (-)	Black	-20 to +70°C	Transmissive	14.13	13.04	10.87	10.33
790-EADOGM132W5	EA DOGM132W-5	55 x 31	132 x 32	FSTN (+)	White	-20 to +70°C	Transflective	14.13	13.04	10.87	10.33
790-EADOGM128B6	EA DOGM128B-6	55 x 46	128 x 64	STN (-)	Blue	-20 to +70°C	Transmissive	18.95	16.62	14.80	14.28
790-EADOGM128E6	EA DOGM128E-6	55 x 46	128 x 64	STN (+)	Yellow/Green	-20 to +70°C	Transmissive	18.95	16.62	14.80	14.28
790-EADOGM128L6	EA DOGM128L-6	55 x 46	128 x 64	STN (+)	Yellow/Green	-20 to +70°C	Reflective	18.95	16.62	14.80	14.28
790-EADOGM128S6	EA DOGM128S-6	55 x 46	128 x 64	FSTN (-)	Black	-20 to +70°C	Transmissive	22.33	19.74	17.24	15.06
790-EADOGM128W6	EA DOGM128W-6	55 x 46	128 x 64	FSTN (+)	White	-20 to +70°C	Transflective	18.95	16.62	14.80	14.28
790-EADOGM240B-6	EA DOGM240B-6	94 x 40	90 x 23.8	STN (-)	Blue	-20 to +70°C	Transmissive	39.23	34.67	30.29	26.46
790-EADOGM240N-6	EA DOGM240N-6	94 x 40	90 x 23.8	FSTN (+)	White	-20 to +70°C	Reflective	39.23	34.67	30.29	26.46
790-EADOGM240S-6	EA DOGM240S-6	94 x 40	90 x 23.8	FSTN (-)	White	-20 to +70°C	Transmissive	39.23	34.67	30.29	26.46
790-EADOGM240W-6	EA DOGM240W-6	94 x 40	90 x 23.8	FSTN (+)	White	-20 to +70°C	Transflective	39.23	34.67	30.29	26.46

LED BACKLIGHTS FOR DOG M SERIES

For quantities greater than listed, call for quote.

MOUSER STOCK NO.	Electronic Assembly Part No.	Description	Price Each			
			1	10	50	100
790-EALED55X31A	EA LED55X31-A	55 x 31 Amber	3.21	2.97	2.47	2.35
790-EALED55X31B	EA LED55X31-B	55 x 31 Blue	8.89	8.20	6.84	6.49
790-EALED55X31G	EA LED55X31-G	55 x 31 Yellow/Green	3.21	2.97	2.47	2.35
790-EALED55X31R	EA LED55X31-R	55 x 31 Red	3.21	2.97	2.47	2.35
790-EALED55X31W	EA LED55X31-W	55 x 31 White	12.50	11.97	9.31	7.98
790-EALED55X31RGB	EA LED55X31-RGB	55 x 31 Full Color	21.27	18.65	16.61	16.03
790-EALED55X46A	EA LED55X46-A	55 x 46 Amber	4.70	4.33	3.61	3.43
790-EALED55X46E	EA LED55X46-E	55 x 46 Green	16.07	15.39	11.97	10.25
790-EALED55X46G	EA LED55X46-G	55 x 46 Yellow/Green	4.70	4.33	3.61	3.43
790-EALED55X46R	EA LED55X46-R	55 x 46 Red	4.70	4.33	3.61	3.43
790-EALED55X46B	EA LED55X46-B	55 x 46 Blue	13.33	12.31	10.25	9.74
790-EALED55X46W	EA LED55X46-W	55 x 46 White	15.58	14.38	11.98	11.38
790-EALED55X46RGB	EA LED55X46-RGB	55 x 46 Full Color	32.74	28.72	25.57	24.68
790-EALED94X40-A	EA LED94x40-A	94 x 40 Amber	13.11	12.55	9.76	8.37
790-EALED94X40-GR	EA LED94x40-GR	94 x 40 Green/Red	17.88	17.12	13.31	11.41
790-EALED94X40-W	EA LED94x40-W	94 x 40 White	27.26	24.09	21.04	18.38

DOG XL GRAPHIC MODULES

For quantities greater than listed, call for quote.

MOUSER STOCK NO.	Electronic Assembly Part No.	Module Size (mm)	Display Format	Display Type	Contrast	Operating Temp. Range	Display Mode	Price Each			
								1	10	50	100
790-EADOGXL240B-7	EA DOGXL240B-7	94 x 67	90 x 46.7	STN (-)	Blue	-20 to +70°C	Transmissive	49.92	42.49	38.39	36.47
790-EADOGXL240N-7	EA DOGXL240N-7	94 x 67	90 x 46.7	FSTN (+)	White	-20 to +70°C	Reflective	49.92	42.49	38.39	36.47
790-EADOGXL240W-7	EA DOGXL240W-7	94 x 67	90 x 46.7	FSTN (+)	White	-20 to +70°C	Transflective	49.92	42.49	38.39	36.47
790-EADOGXL240S-7	EA DOGXL240S-7	94 x 67	90 x 46.7	FSTN (-)	White	-20 to +70°C	Transmissive	49.92	42.49	38.39	36.47

LED BACKLIGHTS FOR DOG XL SERIES

For quantities greater than listed, call for quote.

MOUSER STOCK NO.	Electronic Assembly Part No.	Description	Price Each			
			1	10	50	100
790-EALED94X67-A	EA LED94x67-A	94 x 67 Amber	20.84	19.95	15.52	13.30
790-EALED94X67-GR	EA LED94x67-GR	94 x 67 Green/Red	24.53	21.68	18.94	16.54
790-EALED94X67-W	EA LED94x67-W	94 x 67 White	38.16	33.72	29.46	25.73

E DIP INTELLIGENT GRAPHIC DISPLAYS

- Power Supply: +5V@Typical 75mA/210mA
- Up to 256 macros programmable
- Freely definable keys and switches
- 8 Built in soft fonts
- Up to 256 images storable internally
- Analog Touch Panel: Variable Grid
- Communication via RS-232, SPI and PC

For quantities greater than listed, call for quote.

MOUSER STOCK NO.	Electronic Assembly Part No.	Module Size (mm)	Display Format	Display Type	Contrast	Operating Temp. Range	Display Mode	Price Each			
								1	10	50	100
4.5" without Touch Panel											
790-EAEDIP240B7LW	EA EDIP240B-7LW	113 x 70 x 11	240 x 128	STN (-)	White	-20 to +70°C	Transmissive	151.72	149.26	148.31	142.60
790-EAEDIP240J7LW	EA EDIP240J-7LW	113 x 70 x 11	240 x 128	FSTN(+)	White	-20 to +70°C	Transmissive	158.46	154.90	148.93	142.98
4.5" with Touch Panel											
790-EAEDIP240B7LWTP	EA EDIP240B-7LWTP	113 x 70 x 13	240 x 128	STN (-)	White	-20 to +70°C	Transmissive	168.57	165.83	164.78	158.43
790-EAEDIP240J7LWTP	EA EDIP240J-7LWTP	113 x 70 x 13	240 x 128	FSTN (+)	White	-20 to +70°C	Transmissive	175.31	172.47	171.37	164.77
5.7" without Touch Panel											
790-EAEDIP320B8LW	EA EDIP320B-8LW	138 x 105 x 10	320 x 240	STN (-)	White	-20 to +70°C	Transmissive	215.77	212.27	210.92	202.80
5.7" with Touch Panel											
790-EAEDIP320B8LWTP	EA EDIP320B-8LWTP	138 x 105 x 12	320 x 240	STN (-)	White	-20 to +70°C	Transmissive	266.35	262.03	260.36	250.33
790-EAEDIP320J8LWTP	EA EDIP320J-8LWTP	138 x 105 x 12	320 x 240	FSTN (+)	White	-20 to +70°C	Transmissive	276.46	271.97	270.24	259.83

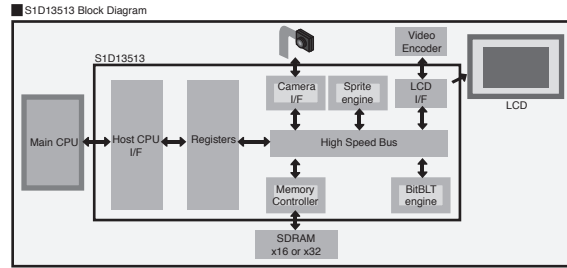
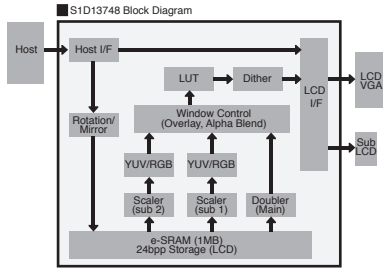
E DIP INTELLIGENT TFT DISPLAYS

For quantities greater than listed, call for quote.

MOUSER STOCK NO.	Electronic Assembly Part No.	Module Size (mm)	Display Format	Display Type	Contrast	Operating Temp. Range	Display Mode	Price Each			
								1	10	50	100
790-EDIPTFT32-A	EA eDIPTFT32-A	82 x 60.5 x 12	320 x 240	FSTN (-)	White	-20 to +70°C	Transmissive	144.97	141.71	136.26	130.81
790-EDIPTFT32-ATP	EA eDIPTFT32-ATP	82 x 60.5 x 12	320 x 240	FSTN (-)	White	-20 to +70°C	Transmissive	161.83	158.19	152.10	146.02
790-EDIPTFT43-A	EA EDIPTFT43-A	107 x 71 x 11	480 x 272	FSTN (-)	White	-20 to +70°C	Transmissive	239.38	233.99	224.98	215.99
790-EDIPTFT43-ATP	EA EDIPTFT43-ATP	107 x 71 x 12	480 x 272	FSTN (-)	White	-20 to +70°C	Transmissive	256.23	250.46	240.82	231.20
790-EDIPTFT70-ATP	EA eDIPTFT70-ATP	170 x 112 x 14	800 x 480	FSTN (-)	White	-20 to +70°C	Transmissive	404.57	395.47	365.05	365.05

The EPSON LCD Controller family of products offers operating system independent display solutions for embedded markets, such as Mobile Communications, Hand-Held PCs, Office Automation, and other embedded devices. EPSON LCD controllers feature high-performance and low power consumption and include support for the most popular RISC processors. EPSON LCD Controllers support a wide range of LCD panels, including those from small to large scale and those from monochrome to color.

Support for the most popular RISC processors, in addition to all LCD panel types, provides the OEM with complete flexibility. EPSON innovative features such as EPSON Independent Simultaneous Display, SwivelView™, 2D Acceleration, "Picture-In-Picture Plus", integrated USB Client, Digital Camera Interface, and Power Saving technology combine to provide an ideal display solution for a wide variety of applications.



LCD CONTROLLERS

For quantities greater than listed, call for quote.

MOUSER STOCK NO.	Epson Part No.	Package Type	Output	Max. Resolution	Display Memory	Max. Colors/ Gray Scales	Price Each			
							1	25	50	100
732-S1D13513F01A100	S1D13513F01A100	QFP22-208	XVGA	1024x768	Up to 64MB External SDRAM	64 Gray/256K Color	17.60	15.07	14.50	13.35
732-S1D13700F02A100	S1D13700F02A100	QFP13-64	QVGA	320x240	32KB Embedded SRAM display buffer	16K Gray Scale	9.35	7.49	7.09	6.40
732-S1D13706F00A200	S1D13706F00A200	TQFP15-100	QVGA	320x240	80KB Embedded SRAM	64K Colors	17.85	16.12	15.50	14.30
732-S1D13717F00A200	S1D13717F00A200	QFP21-176	QVGA	320x240	224 KB Embedded SRAM	64K Colors	14.00	12.59	11.89	10.85
732-S1D13748F00A100	S1D13748F00A100	QFP20-144	WVGA	800x480	1024 KB Embedded SRAM	64K Colors	18.92	17.03	16.09	14.67
732-S1D13A04F00A100	S1D13A04F00A100	TQFP15-128	QVGA	320x240	160KB Embedded SRAM	64K Colors	17.62	15.54	14.57	13.91
732-S1D13A05B00B200	S1D13A05B00B200	PFBGA-121	QVGA	320x240	256KB Embedded SRAM	64K Colors	16.42	15.32	14.95	14.23
732-S1D13506F00A200	S1D13506F00A200	QFP15-128	SVGA	800x600	Requires External 2MB EDO RAM	64K Colors	15.70	14.72	14.14	12.96
732-S1D13517F00A100	S1D13517F00A100	QFP15-128	QHD, SVGA	800x600	UP to 128MB External SRAM	16M Colors	8.68	7.59	6.94	6.59
732-S1D13742F01A200	S1D13742F01A200	QFP20-144	WVGA	800x480	768KB Embedded display buffer	256K Colors	18.34	17.01	16.48	15.68
732-S1D13748B00B100	S1D13748B00B100	PFBGA 121	WVGA	800x480	1024KB Embedded SRAM	16M Colors	18.36	14.23	13.78	13.56
732-S2D13515F00A100	S2D13515F00A100	QFP22-256	XVGA	1024x768	Up to 64MB External SDRAM	16M Colors	23.05	20.55	19.31	18.70

T.V. OUT CONTROLLER

For quantities greater than listed, call for quote.

MOUSER STOCK NO.	Epson Part No.	Package Type	Output	Input Data Format		Display Memory	Price Each			
				RGB	YUV		1	25	50	100
732-S1D13746B01B600	S1D13746B01B600	PFBGA-100	NTSC/ PAL	8:8:8, 6:6:6, 5:6:5, 3:3:2	4:2:2, 4:2:0	312K Byte Embedded SRAM	8.33	7.97	7.72	7.48

MICROCONTROLLERS

For quantities greater than listed, call for quote.

MOUSER STOCK NO.	Epson Part No.	Package Type	Flash (Bytes)	RAM (Bytes)	LCD Driver	Clock Frequency (MHz)	I/O Ports	Serial Communication	Price Each			
									1	10	50	100
732-S1C17704F00E100	S1C17704F00E100	TQFP24-144	64K	4K	56x32	8.2	28	SPI, I2C, UART	8.33	5.99	5.66	5.16
732-S1D13704F00B100	S1C17704F00B100	TQFP24-144	64K	4K	56x32	8.2	28	SPI, I2C, UART	8.33	5.99	5.66	5.16

VOICE GUIDANCE IC

The S1V3S344 features high-compression, high-quality audio decoding functions, built-in voice data flash memory, and a DA converter, making it ideal for use in voice guidance products. The voice data creation tool for EPSON voice guidance LSI allows easy creation of high-quality voice data without the need for studio recording. All functions are controlled by commands via a serial interface for easy addition to any existing system incorporating a host.

For quantities greater than listed, call for quote.

MOUSER STOCK NO.	Epson Part No.	Package Type	Voice Data - Flash (kB)	Sample Rate (kHz)	Bitrate (kbps)	Serial Interface	No. of Phrases	DAC	Price Each			
									1	25	50	100
732-S1V3S344A00A800	S1V3S344A00A800	QFP-52	512	16	40, 32, 24, 16	UART, I2C	64	16-bit	30.00	26.25	24.75	24.00

EVALUATION BOARDS

For quantities greater than listed, call for quote.

MOUSER STOCK NO.	Epson Part No.	Description	Price Each
732-S5U13000P00C000	S5U13000P00C000	PC Card Adaptor for S1D13700	287.50
732-S5U13506P00C100	S5U13506P00C100	S1D13506F00A LCD Controller Evaluation Board	575.00
732-S5U13513P00C100	S5U13513P00C100	S1D13513 Evaluation Board	437.50
732-S5U13700P00C000	S5U13700P00C000	S1D13700 Evaluation Board	350.52
732-S5U13742P00C100	S5U13742P00C100	S1D13742 Evaluation Board	437.50
732-S5U13748P00C100	S5U13748P00C100	S1D13748 Evaluation Board	437.50
732-S5U13781R00C10M	S5U13781R00C10M	Development Board package for TI Stellaris Launchpad - S1D13781 LCD Controller Ref board w/ Signal Adapter board	56.25
732-S5U13U00P00C100	S5U13U00P00C100	USB Adaptor Board used with LCD Evaluation Boards	850.00
732-S5U1C17701T1100	S5U1C17701T1100	C17 MCU Evaluation Board	423.17
732-S5U13781R00C100	S5U13781R00C100	S1D13781 WQVGA Graphics Controller, Generic MCU Interface	56.25

Products may be RoHS compliant. Check mouser.com for RoHS status.

FEATHER TOUCH PANELS

Features:

- Standard 4-wire resistive touch panel structure, 3.5-inch to 17-inch panel size
- Special controller enabling 2-finger sensing
- Optimized for gesture recognition, pinch, expand, rotate, flick, swipe
- Ultra low input force: 0.02~0.3N
- Special top film technology provides user experience comparable to projected capacitive panels
- Film/Glass, Film/Film/Plastic structures available
- Touch window enables creative Industrial Design: flush surface, logo printing, special shapes supported
- Transparency: 82%~90%

* USB 2.0 bus powered interface

4 Wire Feather-Touch Panel Sizes

For quantities greater than listed, call for quote.

MOUSER STOCK NO.	Fujitsu Part No.	Fig.	Size (in.)	Style	Price Each		
					1	25	50
817-NC01111-T161	NC01111-T161	A	3.8	2-Finger	20.72	18.43	16.76
817-NC01111-T181	NC01111-T181	A	4.3	2-Finger	21.72	19.43	17.76
817-NC01111-T202	NC01111-T202	A	8.4	2-Finger	48.57	40.99	37.47
817-NC01111-T222	NC01111-T222	A	10.4	2-Finger	53.57	45.99	42.47
817-NC01152-T101	NC01152-T101	A	7	2-Finger	21.72	19.43	17.76

4-WIRE TOUCH CONTROLLER BOARD & MCU

For quantities greater than listed, call for quote.

MOUSER STOCK NO.	Fujitsu Part No.	Fig.	Size (mm)	Operating Temp.	Supply Current	Supply Voltage	Price Each		
							1	25	50
* 817-NC01850-B045RS	NC01850-B045RS	B	60 x 30	-5°C to 60°C	20 mA	5V	45.57	37.99	34.47

CABLE ASSEMBLY

For quantities greater than listed, call for quote.

MOUSER STOCK NO.	Fujitsu Part No.	Description	Price Each
817-CABLE/RTP/USB/DT	CABLE/RTP/USB/DT	Interface Cable USB	21.72

TOUCH PANELS

Features:

- Superior long life using a unique construction method offering improved life over typical technologies; by sensing data input only on the glass layer typically a 10x improvement in product life is achieved
- Excellent specification and high quality
- Anti-Newton ring technology
- High reliability materials
- 1.1mm glass with AG topcoat

RoHS Compliant

MOUSER STOCK NO.	Fujitsu Part No.	Fits LCD Size (in.)	Style	Transparency	Price Each		
					1	25	50
7-Wire Series							
817-N010-0510-T219	N010-0510-T219	15	Pen and Finger	86%	141.60	133.20	125.13
817-N010-0550-T717	N010-0550-T717	12.1	Pen and Finger	80%	75.60	70.11	66.57
817-N010-0550-T613	N010-0550-T613	10.4	Pen and Finger	80%	54.25	50.98	47.25
4-Wire Series							
817-N010-0554-T805	N010-0554-T805	12.1	Pen and Finger	80%	60.69	57.20	52.82
817-N010-0554-T347	N010-0554-T347	10.4	Pen and Finger	80%	53.57	45.99	42.47
817-N010-0519-T742	N010-0519-T742	8.4	Pen and Finger	86%	45.55	43.38	41.41
817-N010-0554-T504	N010-0554-T504	8.4	Pen and Finger	80%	35.34	33.42	30.87
817-N010-0554-T048	N010-0554-T048	6.4	Pen and Finger	86%	30.44	29.58	28.38
817-N010-0554-T043	N010-0554-T043	6.4	Pen and Finger	80%	21.90	20.63	19.05
817-N010-0554-T009	N010-0554-T009	5.7	Pen and Finger	80%	21.72	19.43	17.76
817-N010-0554-T703	N010-0554-T703	3.8	Pen and Finger	80%	11.38	10.89	10.58

RESISTIVE TOUCH PANEL CONTROLLER ICs

Features:

- High quality and reliability touch panel controller
- Serial Interface (RS-232)
- Used to control the 7-Wire resistive touch panels
- 64 pin PQFP MCU with masked ROM

RoHS Compliant

MOUSER STOCK NO.	Fujitsu Part No.	Size	Style	Price Each			
				1	25	50	100
7-Wire Series							
817-N010-0559-V026	N010-0559-V026	Serial RS-232 Microcontroller	Plug & play	8.82	8.31	7.67	7.14
817-NC41120-0017	NC41120-0017	USB Microcontroller	-	8.82	8.31	7.67	7.14
4-Wire Series							
817-N010-0559-V036	N010-0559-V036	Serial RS-232 Microcontroller	Plug & play	10.72	10.10	9.32	8.68

RESISTIVE TOUCH PANEL CONTROLLER BOARDS

Features:

- Small footprint PCB
- Supports all major OS types with Fujitsu Driver software
- A complete solution for quick prototype to production use or as a design tool to speed up application and compatibility testing

Main Applications:

- For use with any of the Fujitsu Resistive Touch Panels
- Point of Sale devices
- Access terminals
- Monitoring Systems and Data input terminals

RoHS Compliant

MOUSER STOCK NO.	Fujitsu Part No.	Fig.	Size	Price Each			
				1	25	50	100
7-Wire Series							
817-N16B-0558-B280	N16B-0558-B280	A	Serial RS-232 Interface board	31.17	26.71	24.32	24.32
4-Wire Series							
817-N16B-0558-B270	N16B-0558-B270	B	Serial RS-232 Interface board	24.51	21.01	19.11	19.11

RESISTIVE TOUCH PANEL CONTROLLER BOARD CABLES

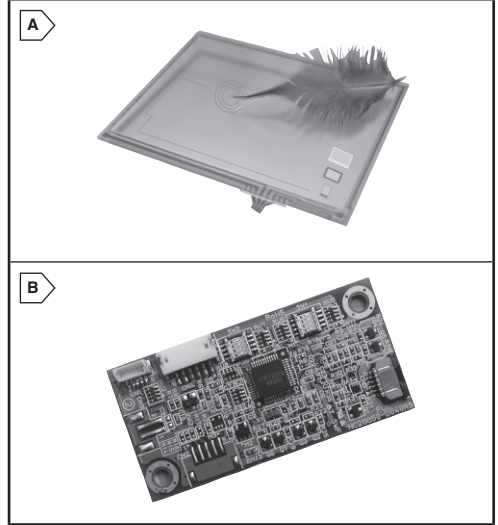
RoHS Compliant

For quantities greater than listed, call for quote.

MOUSER STOCK NO.	Fujitsu Part No.	Size	Price Each			
			1	25	50	100
817-CABLE-RS232	CABLE/RTP/RS232	Serial Cable for -B230, -B240	11.95	11.49	11.03	10.27
817-CABLE-USB	CABLE/RTP/USB	USB cable for -B710, -B720	17.33	16.49	16.01	14.90

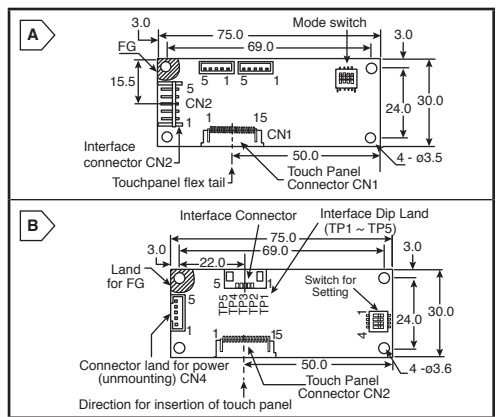
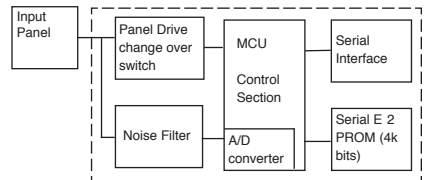
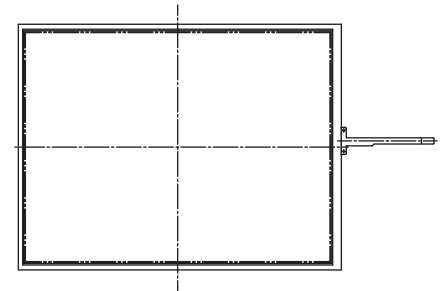
© Copyright 2015 Mouser Electronics

mouser.com/fujitsu



Displays

Fujitsu



FUJITSU RESISTIVE TOUCH PANEL STYLUS

For quantities greater than listed, call for quote.

MOUSER STOCK NO.	Fujitsu Part No.	Size	Price Each
817-N010-0557-T002	N010-0557-T002	Stylus for Touch panel	9.77

© Copyright 2015 Mouser Electronics

(800) 346-6873

95

HANTRONIX LCD Display Modules



Products may be RoHS compliant. Check mouser.com for RoHS status.

DISPLAY MODULES

The Hantronix Advantage is the ability to add value and provide a competitive-edge for their customers in the global market. As a partner-supplier, they are committed to delivering additional value to your business. All Hantronix production facilities are ISO9001 certified and utilize the most modern production equipment to produce the highest quality displays. Hantronix offers one of the largest selection of standard LCD's in the industry. Power Supply Voltage (VDD) is +5.0V.



HDA570ST-V Shown
(320 x 240 dot pixels)

Our TFT displays deliver amazingly high contrast ratio, crisp color-saturation, exceptional viewing angles, and super bright WLED backlight performance. Additionally, most of our displays are available with integrated touch panel options. Some ideal applications for our TFT displays include instrumentation, industrial controls, handhelds, medical, control/home automation, and POSITIVE/retail applications.

Color TFT Modules * Touch Screen Included † Controller Included

For quantities greater than listed, call for quote.

MOUSER / Hantronix Part No.	Size	Viewing Size	Number of Pixels (mm) (Width x Height)	Backlight	Module Size (mm) (Width x Height x Thickness)	Price Each			
						1	5	10	50
HDA350-3S	3.5"	70.08x52.56	320x240	White LED	76.9x63.9x3.3	26.18	24.97	23.19	21.64
* HDA350T-3S	3.5"	70.08x52.56	320x240	White LED	77.8x64.5	32.95	31.43	29.19	27.24
HDA430-3	4.3"	95.04x53.85	480x272	White LED	105.6x67.2x3.9	48.83	44.76	41.32	38.37
HDA570V-G	5.7"	115.2x86.4	640x480	White LED	144x104.6x13	115.66	110.56	104.42	100.24
* HDA570VT-V	5.7"	118.3x89.8	640x480	White LED	144x104x13.0	122.26	112.86	107.88	104.80
† HDA570C-G	5.7"	115.2x86.4	320x240	White LED	144x104.6x13	112.20	107.25	101.29	97.24
* HDA570ST-V	5.7"	118.3x89.7	320x240	White LED	144x104x13.0	143.80	133.00	122.23	111.43
HDA700L-GH	7.0"	152.4x91.4	800x480	White LED	166.6x109.4x10	107.25	104.19	101.29	97.24
* HDA700LT-GH	7.0"	152.4x91.4	800x480	White LED	166.6x109.4x11.6	119.87	116.44	113.21	108.68
HDA700L-2S	7.0"	152.4x91.44	800x480	White LED	165x104.44x5.2	55.10	53.53	52.04	49.96
* HDA700LT-2S	7.0"	152.4x94.44	800x480	White LED	165x104.44x6.6	75.75	73.59	71.54	68.68
HDA800S-GL	8.0"	162x121.5	800x600	White LED	183x141x5.8	107.25	104.19	101.29	97.24
* HDA800ST-GL	8.0"	162x121.5	800x600	White LED	183x141x7.3	132.49	128.70	125.13	120.12
HDA800S-GHL	8.0"	162x121.5	800x600	White LED	176.28x138.2x7.8	165.09	160.37	155.92	149.68
* HDA800ST-GHL	8.0"	162x121.5	800x600	White LED	176.28x138.2x9.2	190.32	184.89	179.75	172.56
HDA1040S-G	10.4"	211.2x158.4	800x600	White LED	243x185.6x7.3	182.96	177.73	172.79	165.88

Monochrome Module

For quantities greater than listed, call for quote.

MOUSER / Hantronix Part No.	Fluid Type	Viewing Mode	Number of Pixels (mm) (Width x Height)	Backlight	Module Size (mm) (Width x Height x Thickness)	Price Each			
						1	10	50	100
HDM64GS12L-Y11S	FSTN	Transflective-Positive	128x64	White LED	93.0x70.0x14.0	32.04	29.64	27.23	24.83

CHARACTER DISPLAY MODULES

Gray Reflective

For quantities greater than listed, call for quote.

MOUSER / Hantronix Part No.	Fluid Type	Format Character x Line	Module Size (mm) (Width x Height x Thickness)	Viewing Area (mm) (Width x Height)	Character Size (mm) (Width x Height)	Dot Size (mm) (Width x Height)	Price Each			
							1	10	50	100
HDM08216H-3-S00S	STN	8x2	58.0x32.0x10.0	38.0x16.0	2.95x5.56	0.56x0.66	4.93	4.53	4.14	3.74
HDM16116H-2-S01S	STN	16x1	80.0x36.0x13.0	63.7x13.5	3.20x6.35	0.60x0.75	7.33	6.74	6.15	5.57
HDM16216H-B-S00S	STN	16x2	84.0x44.0x10.0	61.0x15.8	2.95x5.55	0.55x0.65	8.50	7.82	7.14	6.46
HDM16216H-5-S00S	STN	16x2	80.0x36.0x10.0	65.6x13.8	2.95x4.35	0.55x0.50	8.08	7.43	6.78	6.14
HDM16216H-4-S00S	STN	16x2	122.0x44.0x10.0	99.0x24.0	4.84x9.66	0.92x1.10	13.83	12.72	11.61	10.51
HDM16416H-S00S	STN	16x4	87.0x60.0x10.0	61.8x25.2	2.95x4.75	0.55x0.55	15.53	14.28	13.04	11.80
HDM20216H-3-S00S	STN	20x2	116.0x37.0x10.0	83.0x18.6	3.20x5.55	0.60x0.65	14.30	13.16	12.01	10.87
HDM20416H-S00S	STN	20x4	98.0x60.0x10.0	76.0x25.2	2.95x4.75	0.55x0.55	19.78	18.58	16.35	14.18
HDM40416H-5-S00S	STN	40x4	190.0x54.0x10.0	147.0x29.5	2.80x4.91	0.52x0.57	29.08	26.75	24.42	22.10

Chip-On-Glass (COG)

- Operating temperature: 0 to +50°C
- Storage temperature: -20 to +70°C

For quantities greater than listed, call for quote.

MOUSER / Hantronix Part No.	Fluid Type	Format Character x Line	Module Size (mm) (Width x Height x Thickness)	Viewing Area (mm) (Width x Height)	Character Size (mm) (Width x Height)	Dot Size (mm) (Width x Height)	Price Each			
							1	10	50	100
HDG1602P-2-L00S	STN	16x2	65.0x27.7x2.1	61.0x15.7	2.95x5.15	.55x.6	8.58	7.94	7.29	6.65

Yellow Transflective with LED Backlight

For quantities greater than listed, call for quote.

MOUSER / Hantronix Part No.	Fluid Type	Format Character x Line	Module Size (mm) (Width x Height x Thickness)	Viewing Area (mm) (Width x Height)	Character Size (mm) (Width x Height)	Dot Size (mm) (Width x Height)	Price Each			
							1	10	50	100
HDM08216L-3-L30S	STN	8x2	58.0x37.0x13.0	38.0x16.0	2.96x5.56	0.56x0.66	7.23	6.65	6.07	5.49
HDM16116L-L30S	STN	16x1	80.0x36.0x14.5	65.6x13.8	3.20x6.35	0.60x0.75	8.65	7.96	7.27	6.57
HDM16216L-B-L30S	STN	16x2	84.0x44.0x14.5	61.0x15.8	2.95x5.55	0.55x0.65	10.55	9.71	8.86	8.02
HDM16216L-S-L30S	STN	16x2	53.0x20.0x8.5	36.0x10.0	2.15x4.25	0.35x0.33	6.66	6.16	5.66	5.16
HDM16216L-5-E30S	STN	16x2	80.0x36.0x10.0	65.6x13.8	2.95x4.35	0.55x0.50	9.18	8.49	7.80	7.11
HDM16216L-5-L30S	STN	16x2	80.0x35.0x14.5	65.6x13.8	2.95x4.35	0.55x0.50	10.23	9.41	8.59	7.77
HDM16216L-7-L30S	STN	16x2	122.0x44.0x15.0	99.0x13.0	4.84x9.66	0.92x1.10	20.45	18.81	17.18	15.54
HDM16416L-1-L30S	STN	16x4	87.0x60.0x15.0	61.8x25.2	2.95x4.75	0.55x0.55	20.85	19.18	17.51	15.85
HDM20216L-1-L30S	STN	20x2	116.0x37.0x14.5	83.0x18.6	3.20x5.55	0.60x0.65	17.05	15.69	14.32	12.96
HDM20416L-1-L30S	STN	20x4	98.0x60.0x15.0	76.0x25.2	2.95x4.75	0.55x0.55	24.63	22.49	20.35	18.21
HDM20416L-M-L30S	STN	20x4	146.0x62.5x15.0	123.0x42.5	4.84x9.22	0.93x1.11	33.35	30.68	28.01	25.34
HDM24216L-2-L30S	STN	24x2	118.0x36.0x14.0	93.5x15.8	3.20x5.55	0.60x0.65	17.15	15.78	14.41	13.03
HDM40216L-1-L30S	STN	40x2	182.0x33.5x15.0	154.5x15.8	3.20x5.55	0.60x0.65	28.58	24.00	21.72	19.43
HDM40416L-4-L30S	STN	40x4	190.0x54.0x14.5	147.0x29.5	2.80x4.91	0.52x0.57	42.90	39.47	36.04	32.60

Black-White Transflective with White LED Backlight

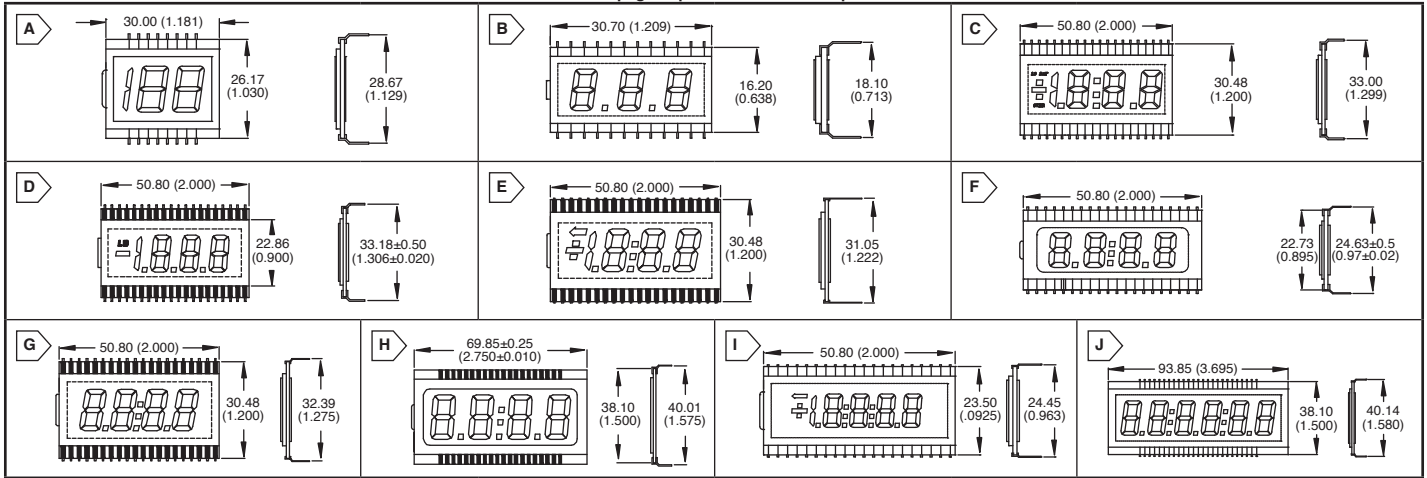
For quantities greater than listed, call for quote.

MOUSER / Hantronix Part No.	Fluid Type	Format Character x Line	Module Size (mm) (Width x Height x Thickness)	Viewing Area (mm) (Width x Height)	Character Size (mm) (Width x Height)	Dot Size (mm) (Width x Height)	Price Each			
							1	10	50	100
HDM16216L-B-Y10S	FSTN	16x2	84.0x44.0x14.5	61.0x15.8	2.95x5.55	0.55x0.65	11.70	10.81	9.94	9.06
HDM16216L-5-Y10S	FSTN	16x2	80.0x35.0x14.5	65.6x13.8	2.95x4.35	0.55x0.50	13.40	12.33	11.26	10.18

LUMEX LCDs



RoHS Compliant This page of product is RoHS compliant.



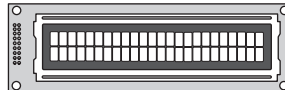
DIMENSIONS: mm (in.)

NUMERIC LCDS

MOUSER STOCK NO.	Lumex Part No.	Fig.	Description	Character Height	Number of Digits	Digit Size	Type (mm)	Number of Pins	Dual Row Spacing (mm)	Price Each			
										1	5	10	50
696-LCD-S2X1C50TR	LCD-S2X1C50TR	A	Reflective	.5"	2.5	12.17	2.54 Dip	16	28.67	2.40	1.64	1.64	1.34
696-LCD-S301C31TR	LCD-S301C31TR	B	Reflective	.31"	3	7.87	2.54 Dip	24	18.1	2.28	2.15	2.02	1.67
696-LCD-S301C31TF	LCD-S301C31TF	B	Transflective	.31"	3	7.87	2.54 Dip	24	18.1	2.28	2.15	2.02	1.32
696-LCD-S3X1C50TRA	LCD-S3X1C50TR/A	C	Reflective	.5"	3.5	12.7	2.54 Dip	40	33	5.45	3.49	3.49	2.84
696-LCD-S3X1C50TFA	LCD-S3X1C50TF/A	C	Transflective	.5"	3.5	12.7	2.54 Dip	40	33	3.78	3.50	3.14	2.84
696-LCD-S3X1C50TRB	LCD-S3X1C50TR/B	D	Reflective	.5"	3.5	12.7	2.54 Dip	40	33.18	4.11	3.50	3.43	2.97
696-LCD-S3X1C50TFB	LCD-S3X1C50TF/B	D	Transflective	.5"	3.5	12.7	2.54 Dip	40	33.18	3.78	3.50	3.14	2.84
696-LCD-S3X1C50TRC	LCD-S3X1C50TR/C	E	Reflective	.5"	3.5	12.7	2.54 Dip	40	31.05	3.78	3.50	3.14	2.84
696-LCD-S3X1C50TFC	LCD-S3X1C50TF/C	E	Transflective	.5"	3.5	12.7	2.54 Dip	40	31.05	3.98	3.68	3.31	2.99
696-LCD-S401C39TR	LCD-S401C39TR	F	Reflective	.39"	4	9.92	1.27 Dip	40	24.64	3.94	3.79	3.29	3.18
696-LCD-S401C39TF	LCD-S401C39TF	F	Transflective	.39"	4	9.92	1.27 Dip	40	24.64	2.96	2.74	2.46	2.22
696-LCD-S401C52TR	LCD-S401C52TR	G	Reflective	0.52"	4	13.2	2.54 Dip	40	32.39	4.28	3.97	3.56	3.21
696-LCD-S401C52TF	LCD-S401C52TF	G	Transflective	0.52"	4	13.2	2.54 Dip	40	32.39	4.20	3.89	3.49	3.15
696-LCD-S401C71TR	LCD-S401C71TR	H	Reflective	0.71"	4	18	2.54 Dip	40	40.01	4.54	4.20	3.77	3.41
696-LCD-S4X1C35TR	LCD-S4X1C35TR	I	Reflective	.35"	4.5	8.89	2.54 Dip	40	24.45	3.04	2.82	2.53	2.28
696-LCD-S4X1C35TF	LCD-S4X1C35TF	I	Transflective	.35"	4.5	8.89	2.54 Dip	40	24.45	3.04	2.82	2.53	2.28
696-LCD-S601C71TR	LCD-S601C71TR	J	Reflective	.71"	6	17.99	2.54 Dip	50	40.14	7.02	6.72	6.03	5.45

For quantities greater than listed, call for quote.

DOT MATRIX LCDS



MOUSER STOCK NO.	Lumex Part No.	Display Format	Character Format	Pad Layout	Outline Dimension WxHxD (mm)	Viewing Area WxH (mm)	Character Size (mm)	Dot Size WxH (mm)	Price Each			
									1	5	10	50
Reflective												
696-LCM-S01601DTR	LCM-S01601DTR	16 x 1	5 x 8 Dots	Top	80 x 36 x 8.8	66 x 16	3.07 x 6.56	0.55 x 0.75	6.82	6.25	5.77	5.52
696-LCM-S01602DTRA	LCM-S01602DTR/A	16 x 2	5 x 8 Dots	Top	80 x 36 x 8.8	66 x 16	2.96 x 5.56	0.56 x 0.66	12.30	7.46	7.46	6.68
696-LCM-S01602DTRM	LCM-S01602DTR/M	16 x 2	5 x 8 Dots	Bottom	66 x 26 x 6.5	52 x 19	2.46 x 5.56	0.46 x 0.66	8.38	8.16	7.59	6.01
696-LCM-S01602DSRA	LCM-S01602DSR/A	16 x 2	5 x 8 Dots	Top	80 x 36 x 8.8	66 x 16	2.96 x 5.56	0.56 x 0.66	12.15	11.89	11.63	9.11
696-LCM-S01602DSRB	LCM-S01602DSR/B	16 x 2	5 x 8 Dots	Bottom	84 x 44 x 8.8	66 x 16	2.96 x 5.56	0.56 x 0.66	10.35	9.48	8.75	8.37
696-LCM-S01602DSRD	LCM-S01602DSR/D	16 x 2	5 x 8 Dots	Bottom	122 x 44 x 8.8	99 x 24	4.84 x 9.63	0.92 x 1.16	14.09	12.92	11.92	11.40
696-LCM-S01604DSR	LCM-S01604DSR	16 x 4	5 x 8 Dots	Top	87 x 60 x 8.9	65 x 25.6	2.95 x 4.75	0.55 x 0.55	23.67	22.30	20.91	17.61
696-LCM-S02002DSR	LCM-S02002DSR	20 x 2	5 x 8 Dots	L Side	116 x 37 x 8.9	85 x 18.6	3.2 x 5.55	0.60 x 0.65	15.27	14.00	12.92	12.35
696-LCM-S02004DSR	LCM-S02004DSR	20 x 2	5 x 8 Dots	Top	98 x 60 x 8.8	8 x 26.3	2.95 x 4.75	0.55 x 0.55	22.38	20.52	18.94	18.10
696-LCM-S04002DSR	LCM-S04002DSR	40 x 2	5 x 8 Dots	L Side	182 x 33.5 x 8.8	154 x 15.3	3.2 x 5.55	0.60 x 0.65	25.96	23.80	21.97	21.00
Transflective with LED Backlight												
696-LCM-S01602DSFA	LCM-S01602DSF/A	16 x 2	5 x 8 Dots	Top	80 x 36 x 12.7	66 x 16	2.96 x 5.56	0.56 x 0.66	13.45	12.81	12.81	11.69
696-LCM-S01602DSFB	LCM-S01602DSF/B	16 x 2	5 x 8 Dots	Bottom	84 x 44 x 12.7	66 x 16	2.96 x 5.56	0.56 x 0.66	15.29	14.94	14.64	12.23
696-LCM-S01602DSFC	LCM-S01602DSF/C	16 x 2	5 x 8 Dots	L Side	85 x 30 x 12.7	66 x 16	2.96 x 5.56	0.56 x 0.66	12.76	11.70	10.80	10.32
696-LCM-S01604DSF	LCM-S01604DSF	16 x 4	5 x 8 Dots	Top	87 x 60 x 12.7	62 x 25.6	2.95 x 4.75	0.55 x 0.55	25.15	23.05	21.28	20.34
696-LCM-S02002DSF	LCM-S02002DSF	20 x 2	5 x 8 Dots	L Side	116 x 37 x 12.7	85 x 18.6	3.2 x 5.55	0.60 x 0.65	20.25	18.57	17.14	16.38
696-LCM-S02004DSF	LCM-S02004DSF	20 x 4	5 x 8 Dots	Top	98 x 60 x 12.7	8 x 26.3	2.95 x 4.75	0.55 x 0.55	28.97	26.55	24.50	23.43
696-LCM-S02402DSF	LCM-S02402DSF	24 x 2	5 x 8 Dots	L Side	118 x 36 x 12.7	93.5 x 16	3.2 x 5.55	0.60 x 0.65	18.40	16.86	15.57	14.88
696-LCM-S04002DSF	LCM-S04002DSF	40 x 2	5 x 8 Dots	L Side	182 x 33.5 x 12.7	154 x 15.3	3.2 x 5.55	0.60 x 0.65	34.40	31.54	29.11	27.83
696-LCM-S04004DSF	LCM-S04004DSF	40 x 4	5 x 8 Dots	L Side	190 x 54 x 14.5	149 x 29.5	2.78 x 4.89	0.50 x 0.55	59.05	57.59	52.30	50.82

For quantities greater than listed, call for quote.

GRAPHIC LCD

MOUSER STOCK NO.	Lumex Part No.	Dot Pixels WxH	Outline Dimension WxHxD (mm)	Viewing Area WxH (mm)	Pixel Size (mm) WxH	Pixel Pitch (mm) WxH	Built-in Controller	Price Each			
								1	5	10	50
696-LCM-S12232GSF	LCM-S12232GSF	12 x 32	84 x 44 x 12.7	60.5 x 18.5	.40 x .45	.44 x .49	Epson SED 1520	22.71	20.82	19.22	18.37

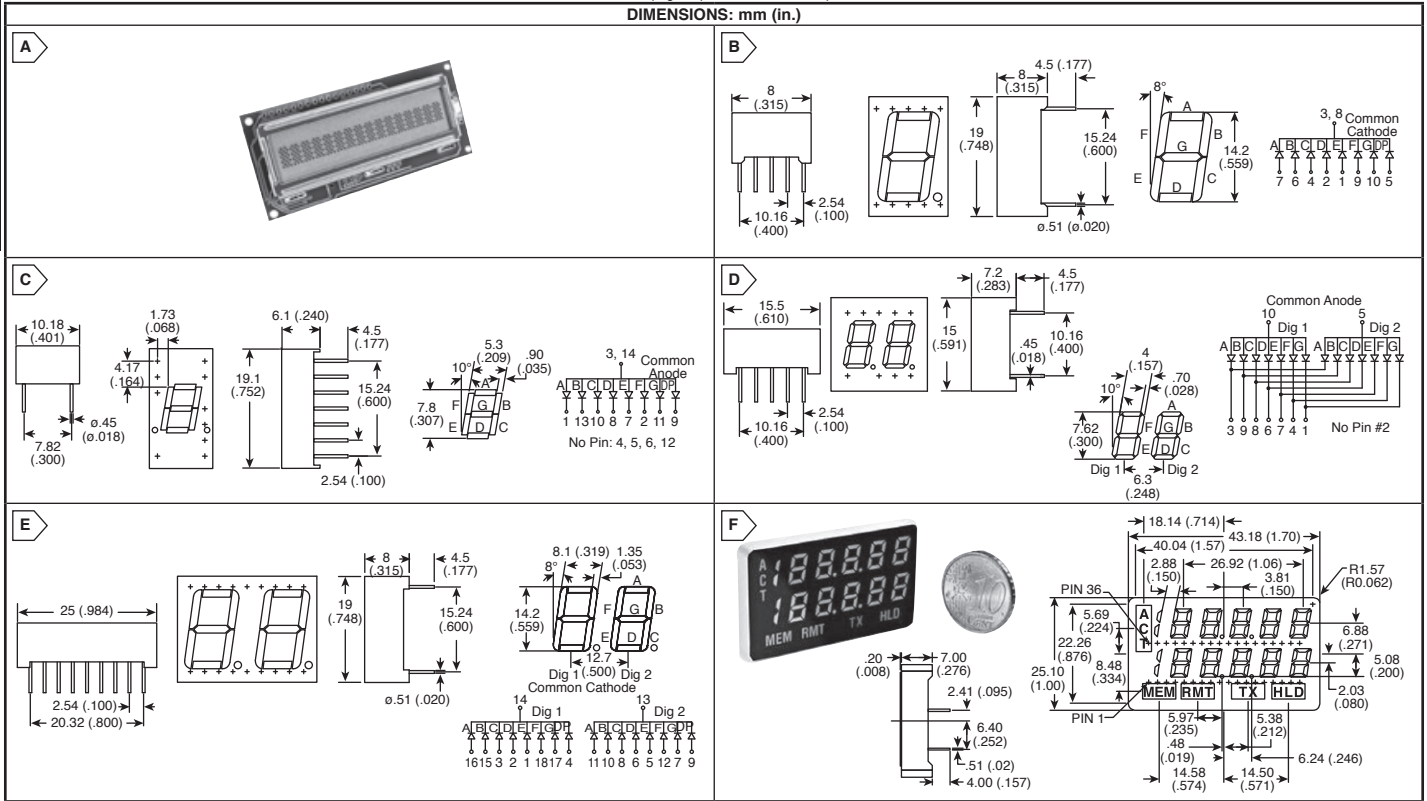
For quantities greater than listed, call for quote.

LUMEX LCD and LED Displays



This page of product is RoHS compliant.

DIMENSIONS: mm (in.)



INFOVUE™ HIGH/LOW TEMPERATURE LCD DISPLAYS

Features:

- -40°C to +85°C
- High-resolution, high-duty daylight visibility
- Available from 8 x 1 character display up to a 320 x 240 graphic display

- Available in either positive or negative image display
- Wide variety of color choices when paired with LED backlights

Applications:

- Appliances
- Industrial controls
- Medical equipment
- Military applications

For quantities greater than listed, call for quote.

MOUSER STOCK NO.	Lumex Part No.	Fig.	Display Type	Overall Size LxWxH (mm)	Viewing Area (mm)	Character Height WxH (mm)	Price Each			
							1	5	10	50
696-LCR-U01602DSFAWH	LCR-U01602DSF/AWH	A	16x2 Character Module	80x36x12.8	64x14	.52x4.35	14.45	13.37	11.99	11.44
696-LCR-U12864GSF-WH	LCR-U12864GSF-WH	A	128x64 Graphic Module	95x70x13.2	70x38.3	.48x52	36.02	33.32	29.89	28.45

QUASARBRITE™ HIGH TEMP LED DISPLAYS

Features:

- Bright, crisp display performance in market-leading temp ranges up to 105°C
- Available in sizes from 0.28 to 4 inch character height
- Compatible with standard drivers
- Available in any standard color

Applications:

- Aircraft, ground vehicles and GPS
- Heavy motor control technologies
- Oil field and gas flow metering
- Displays on ovens, microwaves, etc.

Markets:

- Industrial controls
- Military
- Appliances

For quantities greater than listed, call for quote.

MOUSER STOCK NO.	Lumex Part No.	Fig.	Color	Wavelength (nm)	Luminous Intensity (mcd) @ 10mA	Character Height	Common Column Pin	Face Color	Segment Color	Price Each				
										1	5	10	50	
Single Digit Displays														
696-LDS-HTC512RI	LDS-HTC512RI	B	Green	565	3500	.56"	Cathode	Gray	Milky White	1.72	1.56	1.40	.85	
696-LDS-HTA512RI	LDS-HTA512RI	B	Green	565	3900	.56"	Anode	Gray	Milky White	1.09	1.01	.908	.85	
696-LDSSMHTA302RISUG	LDS-SMHTA302RISUGT	C	Green	568	2500	.30"	Anode	Gray	Milky White	1.45	1.33	1.20	1.13	
696-LDSSMHTA5602RISUG	LDS-SMHTA5602RISUG	B	Green	568	4500	.56"	Anode	Gray	Milky White	1.45	1.33	1.20	1.13	
696-LDS-HTA304RI	LDS-HTA304RI	C	Red	635	2000	.30"	Anode	Gray	Milky White	1.09	1.01	.908	.85	
696-LDS-HTA514RI	LDS-HTA514RI	B	Red	635	3900	.56"	Anode	Gray	Milky White	1.09	1.01	.908	.85	
696-LDS-HTC514RI	LDS-HTC514RI	B	Red	635	3900	.56"	Cathode	Gray	Milky White	1.09	1.01	.90	.85	
696-LDSSMHTA304RISIT	LDS-SMHTA304RISITR	C	Red	640	4500	.30"	Anode	Gray	Milky White	1.45	1.33	1.20	1.13	
696-LDSSMHTA5604RISIT	LDS-SMHTA5604RISIT	B	Red	640	6000	.56"	Anode	Gray	Milky White	1.45	1.33	1.20	1.13	
Dual Digit Displays														
696-LDD-HTF302NI	LDD-HTF302NI	D	Green	565	3900	.30"	Cathode	Gray	Milky White	1.52	1.40	1.25	1.18	
696-LDSSMHTA302RISUG	LDD-SMHTA302RISUGT	D	Green	568	2500	.30"	Anode	Gray	Milky White	4.68	4.29	3.90	3.37	
696-LDSSMHTM5602RISUG	LDD-SMHTM5602RISUG	E	Green	568	4500	.56"	Anode	Gray	Milky White	4.68	4.29	3.90	3.37	
696-LDD-HTA514RI	LDD-HTA514RI	E	Red	635	3500	.56"	Anode	Gray	Milky White	1.49	1.37	1.23	1.16	
696-LDD-HTF304NI	LDD-HTF304NI	D	Red	635	3900	.30"	Cathode	Gray	Milky White	1.49	1.37	1.23	1.16	
696-LDD-HTC514RI	LDD-HTC514RI	E	Red	635	3900	.56"	Cathode	Gray	Milky White	1.49	1.37	1.23	1.16	
696-LDSSMHTA304RISIT	LDD-SMHTA304RISITR	D	Red	640	4500	.30"	Anode	Gray	Milky White	4.68	4.29	3.90	3.37	
696-LDSSMHTM5604RISIT	LDD-SMHTM5604RISIT	E	Red	640	6000	.56"	Anode	Gray	Milky White	4.68	4.29	3.90	3.37	

ALPHA NUMERIC DISPLAY

For quantities greater than listed, call for quote.

MOUSER STOCK NO.	Lumex Part No.	Fig.	Emitted Color	Peak Wavelength (nm)	Axial Intensity (μcd)	Character Height	Face Color	Segment Color	Price Each			
									1	5	10	50
696-LDP-2R2608RD-50	LDP-2R2608RD-50	F	Amber	605	6100	.25"	Black	Milky White	26.35	24.15	22.29	20.70

LCD Drivers and Controllers

SUPERTEX - EL BACKLIGHTING DRIVER INTEGRATED CIRCUITS AND DEMO BOARDS

HV823 Features:

180V peak-to-peak output voltage, large output load capability, adjustable output lamp frequency, adjustable converter frequency, enable/disable function, low current draw under no load condition.

HV857/HV857L Features:

Audible noise reduction, lamp aging compensation, wide input voltage range, 190V peak-to-peak output voltage, single cell lithium ion compatible, 150nA shutdown current, separately adjustable lamp and converter frequencies, output voltage regulation, split supply regulation

HV833 Features:

1.8V to 6.5V operating supply voltage, separately adjustable lamp and converter frequency, <100nA shutdown current, output voltage regulation, enable/disable function, output timing for high efficiency

◆ Surface Mount Device

MOUSER STOCK NO.	Supertex Part No.	Package	Input Voltage Range		Nominal Output Volt. Vcs (V)	High Volt. Supply Curr. In (Typ) (mA)	Max. Switch Resistance Rds(ON) Max (Ω)	Output Reg.	Driver	Maximum Lamp Size Per Driver (in ²)	Price Each		
			Low (V)	High (V)							1	100	500
◆ 689-HV857MG-G	HV857MG-G	MSOP-8	1.8	5	±95	20	6	Yes	Single	5	1.06	.74	.74
◆ 689-HV857LMG-G	HV857LMG-G	MSOP-8	1.8	5	±95	25	6	Yes	Single	5	1.06	.74	.74
◆ 689-HV833MG-G	HV833MG-G	MSOP-8	1.8	6.5	±90	56	4	Yes	Single	12	1.50	1.05	1.05
◆ 689-HV823LG-G	HV823LG-G	SOIC-8(N)	2	9.5	±90	25	6	Yes	Single	23	1.78	1.24	1.24
◆ 689-HV860K7-G	HV860K7-G	QFN-12	2.5	4.5	±110	16	6	Yes	Single	5	1.22	.85	.85

For quantities greater than listed, call for quote.

MICROCHIP - 8-BIT LCD PIC MICROCONTROLLERS WITH ON-BOARD LCD DRIVER AND CAPACITIVE TOUCH

◆ Surface Mount Device

MOUSER STOCK NO.	Microchip Part No.	Flash	SRAM	I/O	LCD Pixels	Price Each		
						1	10	100
◆ 579-PIC18F66J90-I/PT	PIC18F66J90-I/PT	64K	3923B	51	132	4.09	3.41	2.83
◆ 579-PIC18F67J90-I/PT	PIC18F67J90-I/PT	128K	3923B	51	132	4.49	3.74	3.10
◆ 579-PIC18F86J90-I/PT	PIC18F86J90-I/PT	64K	3923B	67	192	4.51	3.76	3.12
◆ 579-PIC18F87J90-I/PT	PIC18F87J90-I/PT	128K	3923B	67	192	4.93	4.11	3.41
Development Tools								
579-DM163030	DM163030	PICDEM LCD 2				125.00	-	-
579-DM183026-2	DM183026-2	mTouch Capacitive Touch Evaluation Kit				99.95	-	-
579-AC183026	AC183026	Daughter Card & OEM Boards Metal over Cap Accessory Kit				49.99	-	-
579-MA180025	MA180025	Plug-in-Module with cap-touch				25.00	-	-

For quantities greater than listed, call for quote.

MICROCHIP - MICRO-CONTROLLERS W/ INTEGRATED LCD DRIVER MODULES

MOUSER STOCK NO.	Microchip Part No.	Supply Voltage/Range	Supply Current	Package	Operating Temperature Range	Mounting Type	Price Each		
							1	10	100
579-AY0438/P	AY0438/P	+ 8.5 V	60 mA	PDIP-40	0°C to + 70°C	4.20	3.50	3.33	2.78
579-AY0438-I/L	AY0438-I/L	+ 8.5 V	60 mA	PLCC-44	- 40°C to + 85°C	6.02	5.02	4.96	4.13
579-AY0438-I/P	AY0438-I/P	+ 8.5 V	60 mA	PDIP-40	- 40°C to + 85°C	4.39	3.66	3.50	2.92

For quantities greater than listed, call for quote.

TEXAS INSTRUMENTS - DLP 0.45 WXGA CHIPSET

MOUSER STOCK NO.	TI Part No.	Package	Description	Price Each
595-DLP4500FQE	DLP4500FQE	LCCC-80	912 x 1140, 0.45" 80-120MHz, WXGA Digital Micromirror Device (DMD)	207.76
595-DLPC350ZFF	DLPC350ZFF	BGA-419	24-bit RGB, WXGA, XGA Digital Controller	89.69
595-DLPLCR4500EVM	DLPLCR4500EVM	-	DLP® LightCrafter™ 4500 Evaluation Module	1386.85

For quantities greater than listed, call for quote.

TEXAS INSTRUMENTS - TOUCH SCREEN CONTROLLER

For use with selected Touch Screen Modules without controller on board.
* With Audio Codec

MOUSER STOCK NO.	TI Part No.	Package	Touch Panel	Resolutions	Sample Rate	Supply Voltage	Inputs	Price Each		
								1	10	100
595-ADS7843E	ADS7843E	SSOP-16	4-Wire	8 or 12	125kHz	2.7-5V	2	4.76	3.82	3.48
595-ADS7845E	ADS7845E	SSOP-16	5-Wire	8 or 12	125kHz	5V	1	11.36	10.22	8.40
595-ADS7846E	ADS7846E	SSOP-16	4-Wire	12	125kHz	2.2-5.25V	2	6.17	5.51	4.52
595-ADS7846IRGVT	ADS7846IRGVT	QFN-16	4-Wire	12	125kHz	2.2-5.25V	2	5.92	5.28	4.33
595-TSC2000IPW	TSC2000IPW	TSSOP-20	4-Wire	8, 10 or 12	-	2.7-3.6V	4	6.66	5.99	4.92
595-TSC2003IPW	TSC2003IPW	TSSOP-16	4-Wire	12	50ksp/s	2.5V-5.25V	4	6.80	6.07	4.98
595-TSC2003IPWR	TSC2003IPWR	TSSOP-16	4-Wire	12	50ksp/s	2.5V-5.25V	2	5.67	5.06	4.15
595-TSC2005IYZLT	TSC2005IYZLT	WCSP-28	4-Wire	10 or 12	50kHz	1.6-3.6V	1	4.66	4.16	3.41
595-TSC2007IPWR	TSC2007IPWR	TSSOP-16	4-Wire	12	20kHz	1.2-3.6V	-	4.11	3.31	3.01
595-TSC2046EIPW	TSC2046EIPW	TSSOP-16	4-Wire	12	125kHz	2.2-5.25V	2	2.62	2.10	1.68
595-TSC2046IPWR	TSC2046IPWR	TSSOP-16	4-Wire	12	125kHz	2.2-5.25V	2	2.37	1.90	1.52
595-TSC2046IRGVR	TSC2046IRGVR	QFN-16	4-Wire	12	125kHz	2.2-5.25V	2	2.50	2.00	1.60
595-TSC2100IDA	TSC2100IDA	TSSOP-32	4-Wire	12	125kHz	0.5V-6V	2	8.64	7.77	6.39
595-TSC2100IRHB	TSC2100IRHB	QFN-32	4-Wire	12	125kHz	0.5V-6V	2	8.64	7.77	6.39
595-TSC2101IRGZ	TSC2101IRGZ	QFN-48	4-Wire	12	125kHz	0.5V-6V	2	10.64	9.57	7.87
* 595-TSC2301IPAGG4	TSC2301IPAGG4	TQFP-64	4-Wire	12	125kHz	2.7-3.6V	2	11.60	10.54	8.96

For quantities greater than listed, call for quote.

MICROTIPS LCD Display Modules

RoHS Compliant This page of product is RoHS compliant.



Displays

DIGITAL COLOR TFT DISPLAYS

- 3.5" with TMR-Transmissive Micro Reflective
- Up to 16.7 million colors
- SPI Interface available

For quantities greater than listed, call for quote.

MOUSER STOCK NO.	Size (in.)	Touch Screen	Resolution	Dimensions Wx H (mm)	Brightness (nits)	Contrast Ratio	Operating Temp. (°C)	Pixel Pitch	Price Each			
									1	5	10	50
668-MTF-TQ35SP741-AV	3.5"	Yes	240 x RGB x 320	76.9 x 63.9	210	200	-20 to 70°C	0.073 x 0.219	67.20	61.09	57.93	54.19
668-UMSH-8253MD-1T	4.3"	No	480 x RGB x 272	95.04 x 53.856	500	500	-20 to 70°C	0.198 x 0.198	40.00	38.24	37.37	33.97
668-AWY-480800T43N01	4.3"	No	480 x RGB x 800	60.86 x 104.5 x 2.15	-	800	-20 to 70°C	0.117 x 0.117	55.38	52.94	51.43	48.00
668-MTF-TV57NP721-AV	5.7"	Yes	640 x RGB x 480	144.0 x 104.6	400	300	-20 to 70°C	0.36 x 0.36	107.10	103.90	96.69	92.82

Microtips

PROJECTIVE CAPACITIVE TOUCH TFT DISPLAYS

- Transmissive
- LED Backlight
- 6 o'clock Viewing
- COG IC Package

For quantities greater than listed, call for quote.

MOUSER STOCK NO.	Size (in.)	Resolution	Module Size (mm) W x H x T	LCD Mode	Interface	Opening Temp. (°C)	Price Each			
							1	5	10	50
668-UMSH-8253MD-3T	4.3"	480 x RGB x 272	105.5 x 67.2 x 5.45	TN	Parallel 24-bit RGB	-20 to + 70°C	69.23	66.17	64.27	58.31
668-UMSH-8596MD-20T	7"	800 x RGB x 480	165.0 x 106.4 x 8.2	TN	Parallel 18-bit RGB	-20 to + 70°C	131.64	127.88	119.36	111.47

GRAPHIC MODULES - TOUCH SCREEN

Graphic Modules-Transmissive With Backlight

- 122x32 Dot Pixels (WxH)

For quantities greater than listed, call for quote.

MOUSER STOCK NO.	Fluid Type	Back-ground Color	Backlight Type	Backlight Color	Module Size (mm) W x H x T	Viewing Area (mm) H x W	Dot Pitch H x W	Dot Size (mm) H x W	Price Each			
									1	5	10	50
668-NGS12232FYSY10	STN	Yellow	Edge LED	Yellow/Green	59.0 x 29.3 x 5.5	52.0 x 15.0	.345 x .345	0.03 x 0.03	11.76	10.69	10.14	9.48

Graphic Modules - Negative Transmissive With Backlight

- 128x64 Dot Pixels (WxH)

For quantities greater than listed, call for quote.

MOUSER STOCK NO.	Fluid Type	Back-ground Color	Backlight Type	Backlight Color	Module Size (mm) W x H x T	Viewing Area (mm) H x W	Dot Pitch H x W	Dot Size (mm) H x W	Price Each			
									1	5	10	50
668-NG-S12864IMNSGW	STN	Negative	Edge LED	White	93.0 x 7.0 x 14.5	71.7 x 39.0	.52 x .52	0.50 x 0.50	27.97	27.13	25.25	24.24
668-NG-S24064IMNSGW	STN	Negative	Edge LED	White	18.0 x 65.0 x 16.1	132.0 x 39.0	.53 x .53	0.51 x 0.51	52.95	51.37	47.81	45.89

VIVID LIQUID CRYSTAL DISPLAYS (VLCD)

- Low cost alternative to (VFD) Displays
- High Contrast (800:1)
- No Image Sticking
- High Brightness
- Parallel Interface

For quantities greater than listed, call for quote.

MOUSER STOCK NO.	Display Format	Backlight (LED) Color	Display Mode	Module Size (mm) W x H x T	Viewing Area (mm)	Character Size (mm) W x H	Dot Size (mm) W x H	Price Each			
								1	5	10	50
668-UMSH-3267MD-UB	2 x 20	White	Transmissive	37.0 x 116.0 x 17.2	73.8 x 16.5	3.065 x 5.56	0.585 x 0.66	26.15	25.37	24.29	22.00
668-UMSH-3267MD-1UB	2 x 20	Red	Transmissive	37.0 x 116.0 x 17.2	73.8 x 16.5	3.065 x 5.56	0.585 x 0.66	26.15	25.37	24.29	22.35
668-UMSH-3267MD-2UB	2 x 20	Green	Transmissive	37.0 x 116.0 x 17.2	73.8 x 16.5	3.065 x 5.56	0.585 x 0.66	26.15	25.37	24.29	22.35
668-UMSH-3267MD-3UB	2 x 20	Blue	Transmissive	37.0 x 116.0 x 17.2	73.8 x 16.5	3.065 x 5.56	0.585 x 0.66	26.15	25.37	24.29	22.35

LCD CHARACTER DISPLAYS

- 6 O'Clock Viewing Direction
- STN Fluid Type

For quantities greater than listed, call for quote.

MOUSER STOCK NO.	Format	Background Color	Backlight Type	Backlight Color	Module Size (mm) W x H x D	Viewing Area (mm) H x W	Character Size (mm)	Dot Size (mm) H x W	Price Each			
									1	5	10	50
Reflective												
668-NC-S0802XRGNN	8 x 2	Gray	None	None	58.0 x 32.0 x 10.0	38.0 x 16.0	3.55 x 5.94	0.056 x 0.66	5.72	5.20	4.93	4.61
668-NC-S0802XRYNS	8 x 2	Yellow	None	None	58.0 x 32.0 x 10.0	38.0 x 16.0	3.55 x 5.94	0.056 x 0.66	4.40	4.27	4.24	4.21
668-NC-S16101XRGH	16 x 1	Gray	None	None	122.0 x 33.0 x 10.5	99.0 x 13.0	4.84 x 8.06	0.92 x 1.10	13.20	12.00	11.38	10.65
668-NC-S16201XRGH	16 x 2	Gray	None	None	122.04 x 44.0 x 10.5	99.0 x 24.0	4.84 x 8.06	0.92 x 1.10	10.26	9.96	9.26	8.89
668-NC-S16204XRGH	16 x 2	Gray	None	None	84.0 x 44.0 x 10.0	62.2 x 17.9	2.95 x 5.55	0.55 x 0.65	7.17	6.96	6.47	6.21
668-NC-S16204XRYH	16 x 2	Yellow	None	None	84.0 x 44.0 x 10.0	62.2 x 17.9	2.95 x 5.55	0.55 x 0.65	9.32	8.47	8.03	7.52
668-NC-S16205DRGH	16 x 2	Gray	None	None	84.0 x 36.0 x 9.5	64.5 x 16.4	2.97 x 5.57	0.57 x 0.67	6.62	6.42	5.97	5.73
668-NC-S20200XRGH	20 x 2	Gray	None	None	116.0 x 37.0 x 10.0	82.2 x 18.2	3.20 x 5.55	0.60 x 0.65	10.15	9.85	9.17	8.80
668-NC-S20400XRGH	20 x 4	Gray	None	None	98.5 x 60.0 x 10.5	76.0 x 25.2	2.95 x 4.75	0.55 x 0.55	17.08	15.52	14.72	13.77
668-NC-S24200XRYH	24 x 2	Yellow	None	None	118.0 x 36.0 x 10.0	94.5 x 18.0	3.20 x 4.55	0.60 x 0.65	13.20	12.00	11.38	10.65
Transflective with LED Backlight												
668-NC-S0802XFGNSAY	8 x 2	Gray	Array LED	Yellow/Green	58.0 x 32.0 x 10.0	38.0 x 16.0	3.55 x 5.94	0.056 x 0.66	7.16	6.51	6.17	5.77
668-NC-S0802XFYNSAY	8 x 2	Yellow	Array LED	Yellow/Green	58.0 x 32.0 x 10.0	38.0 x 16.0	3.55 x 5.94	0.056 x 0.66	7.49	6.81	6.46	6.04
668-NC-S16100XFGSAY	16 x 1	Gray	Array LED	Yellow/Green	80.0 x 36.0 x 14.5	65.0 x 14.0	3.77 x 6.59	0.58 x 0.78	9.84	8.95	8.48	7.94
668-NC-S16201XFYSAY	16 x 2	Yellow	Array LED	Yellow/Green	122.0 x 44.0 x 14.0	99.0 x 24.0	4.84 x 8.06	0.92 x 1.10	18.00	16.36	15.52	14.52
668-NC-S16204XFYSAY	16 x 2	Yellow	Array LED	Yellow/Green	84.0 x 44.0 x 14.2	62.2 x 17.9	2.95 x 5.55	0.55 x 0.65	11.72	10.65	10.10	9.45
668-NC-S16205DFGSAY	16 x 2	Gray	Array LED	Yellow/Green	84.0 x 36.0 x 14.5	64.5 x 16.4	2.97 x 5.57	0.57 x 0.67	15.93	14.47	13.73	12.85
668-NC-S16205DFYSAY	16 x 2	Yellow	Array LED	Yellow/Green	84.0 x 36.0 x 14.5	64.5 x 16.4	2.97 x 5.57	0.57 x 0.67	8.43	8.18	7.61	7.31
668-NC-S16400XFYSAY	16 x 4	Yellow	Array LED	Yellow/Green	87.0 x 60.0 x 9.5	61.8 x 25.2	2.95 x 4.75	0.55 x 0.55	16.09	15.61	14.53	13.95
668-NC-S20200XFGSAY	20 x 2	Gray	Array LED	Yellow/Green	116.0 x 37.0 x 14.5	82.2 x 18.2	3.20 x 5.55	0.60 x 0.65	13.08	12.69	11.81	11.33
668-NC-S20200XFYSAY	20 x 2	Yellow	Array LED	Yellow/Green	116.0 x 37.0 x 14.5	82.2 x 18.2	3.20 x 5.55	0.60 x 0.65	17.00	15.45	14.66	13.71
668-NC-S20400XFYSAY	20 x 4	Yellow	Array LED	Yellow/Green	98.5 x 60.0 x 14.5	76.0 x 25.2	2.95 x 4.75	0.55 x 0.55	22.56	20.51	19.45	18.19
668-NC-S24200XFGSAY	24 x 2	Gray	Array LED	Yellow/Green	118.0 x 36.0 x 14.5	94.5 x 18.0	3.20 x 5.55	0.60 x 0.65	15.51	15.04	14.00	13.44
668-NC-S40200XFYSAY	40 x 2	Yellow	Array LED	Yellow/Green	182.0 x 33.5 x 14.0	154.0 x 16.5	3.20 x 5.55	0.60 x 0.65	29.67	26.97	25.58	23.93
Negative Transmissive with LED Backlight												
668-NC-S20200BFGSGW	20 x 2	Neg.	Edge LED	White	116.0 x 37.0 x 14.5	82.2 x 18.2	3.20 x 5.55	0.60 x 0.65	17.02	15.47	14.67	13.73

Displays and Screens

RoHS Compliant This page of product is RoHS compliant.



LED/CCFL DISPLAYS

Features:

- Natural Color Matrix
- Anti-Glare and Clear Gloss types
- Wide Viewing Angles
- High Brightness
- TN and IPS LC Modes
- Glass Bonding Technology

For quantities greater than listed, call for quote.

MOUSER STOCK NO.	Mitsubishi Electric Part No.	Fig.	Module Size (Dia. in.)	Resolution	Number of Pixels	Brightness (cd/m ²)	Colors	Backlight	Interface	Price Each
917-AA065VE11	AA065VE11	A	6.5	VGA	640x480	700	262k/16.77M	LED	LVDS	257.74
917-AA084SB01	AA084SB01	A	8.4	SVGA	800x600	600	262k/16.77M	LED	LVDS	369.91
917-AA084VG01	AA084VG01	A	8.4	VGA	640x480	800	262k	LED	CMOS	320.85
917-AA104VH02	AA104VH02	A	10.4	VGA	640x480	800	262k	LED	CMOS	344.77
917-AA121XK01	AA121XK01	A	12.1	XGA	1024x768	500	262k/16.77M	LED	LVDS	421.02
917-AA150XT01	AA150XT01	A	15	XGA	1024x768	800	262k/16.77M	LED	LVDS	529.20
917-AA175TD01	AA175TD01	A	17.5	WXGA	1280x768	800	262k/16.77M	LED	LVDS	709.15



LED TOUCH SCREENS

Features:

- 4 wire resistive
- Anti-Glare and Clear Gloss types
- Wide Viewing Angles
- High Brightness
- TN and IPS LC Modes
- Glass Bonding Technology

For quantities greater than listed, call for quote.

MOUSER STOCK NO.	Mitsubishi Electric Part No.	Fig.	Module Size (Dia. in.)	Resolution	Number of Pixels	Brightness (cd/m ²)	Colors	Backlight	Interface	Price Each
917-AA050ME01--T1	AA050ME01--T1	B	5	WVGA	800x480	350	16.77M	LED	CMOS	134.32
917-AA084SB01--T2	AA084SB01--T2	B	8.4	SVGA	800x600	480	262K/16.77M	LED	LVDS	401.14
917-AA090ME01--T1	AA090ME01--T1	B	9	WVGA	800x480	320	262K/16.77M	LED	LVDS	406.09
917-AA090MF01--T1	AA090MF01--T1	B	9	WVGA	800x480	640	262K/16.77M	LED	LVDS	387.25



COLOR TFT-LCD MODULES

Features:

- Natural Color Matrix
- Glass Bonding Technology
- Low Reflection
- Wide Viewing Angle
- High Brightness
- Low EMI Technology

For quantities greater than listed, call for quote.

MOUSER STOCK NO.	Mitsubishi Electric Part No.	Fig.	Module Size (Dia. in.)	Resolution	Number of Pixels	Brightness (cd/m ²)	Colors	Backlight	Interface	Price Each
917-AA057VF12	AA057VF12	C	5.7	VGA	640x480	1100	262K	LED	CMOS	203.81
917-AA090MF01	AA090MF01	C	9	WVGA	800x480	1500	262K/16.7M	LED	LVDS	349.61



DISPLAY KITS

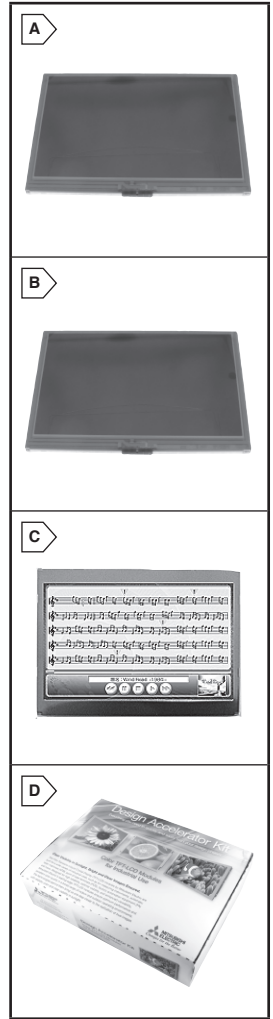
Mitsubishi offers TFT LCD Design Accelerator Kits to cover the most popular resolutions and interfaces, including XGA, SVGA, VGA, WVGA in either LVDS or CMOS interface. The kits include everything you need to quickly build and demo your TFT LCD design. The Mitsubishi TFT LCD Design Accelerator Kits include a video controller, signal converter, LED backlight drivers, AC power adapter, cables, and more.

Kit Contains:

- LED backlight driver, 2 strings
- Video controller, USB in, DVI out
- Cabling, adapters
- 4 strings LED driver by special request
- Signal converter, DVI in, LVDS/CMOS out
- Demo LCD display stand
- CCFL inverter by special request
- AC power adapter
- User manual

For quantities greater than listed, call for quote.

MOUSER STOCK NO.	Mitsubishi Electric Part No.	Fig.	Resolution	Number of Pixels	Interface	Backlight	Price Each
917-DAK-WVG-LVDS	DAK-WVG-LVDS	D	WVGA	800x480	LVDS	LED	156.25
917-DAK-XGA-LVDS	DAK-XGA-LVDS	D	XGA	1024x760	LVDS	LED	156.25
917-DAK-SVG-LVDS	DAK-SVG-LVDS	D	SVG	800x600	LVDS	LED	156.25
917-DAK-WXG7-LVDS	DAK-WXG7-LVDS	D	WXGA	1280x768	LVDS	LED	156.25
917-DAK-WXG8-LVDS	DAK-WXG8-LVDS	D	WXGA	1280x800	LVDS	LED	156.25
917-DAK-VGA-LVDS	DAK-VGA-LVDS	D	VGA	640x480	LVDS	LED	156.25



Displays

NKK FT SERIES RESISTIVE TOUCH SCREENS 5 WIRE, 4 WIRE AND DIGITAL SOLUTIONS

Additional benefits of NKK's 5-wire touch screens include:

- Screens highly resistant to static electricity and noise pollution
- Drift-free operation despite any temperature fluctuation
- Greater touch point density translating to more precision and reduction of false actuations
- Quicker response time

Applications:

- Information Kiosks
- Industrial Automation
- Banking, Exchange Management Systems
- Broadcast
- Office Automation
- Medical Equipment
- Hand-held Devices
- Hospitality and Restaurant
- Gaming

Distinctive Characteristics:

- Wide Range of Available Sizes
- Anti-Newton Ring (ANR) Technology
- Custom Solutions a Specialty
- Digital and Analog Solutions
- Controllers Available
- Design Minimizes Visual Artifacts
- RoHS Compliant

Resistive Touch Screens

- Input Method: Finger, Gloved Finger or Stylus

For quantities greater than listed, call for quote.

MOUSER STOCK NO.	NKK Part No.	Fig.	Screen Size in Inches	Panel Thickness	Price Each		
					1	25	50
4 Wire Touch Screens							
633-FTAS00-57AS4	FTAS00-57AS4	A	5.7	.055" (1.4mm)	35.75	32.29	31.67
633-FTAS00-65AS4	FTAS00-65AS4	A	6.5	.055" (1.4mm)	41.50	39.10	38.15
633-FTAS00-84AS4	FTAS00-84AS4	A	8.4	.083" (2.1mm)	65.59	52.39	48.99
633-FTAS00-104AS4	FTAS00-104AS4	A	10.4	.083" (2.1mm)	81.59	68.11	63.96
633-FTAS00-104AV4	FTAS00-104AV4	A	10.4	.083" (2.1mm)	81.59	68.11	63.96
633-FTAS00-121AS4	FTAS00-121AS4	B	12.1	.083" (2.1mm)	97.66	82.45	78.38
633-FTAS00-121A4	FTAS00-121A4	B	12.1	.083" (2.1mm)	97.66	82.45	78.38
633-FTAS00-150A4	FTAS00-150A4	B	15	.083" (2.1mm)	131.85	118.67	111.25
5 Wire Touch Screens							
633-FTAS00-104A5	FTAS00-104A5	A	10.4	.083" (2.1mm)	79.95	71.12	70.69
633-FTAS00-121A5	FTAS00-121A5	A	12.1	.083" (2.1mm)	96.44	85.79	85.28

Digital Touch Screen

- Input Method: Finger

For quantities greater than listed, call for quote.

MOUSER STOCK NO.	NKK Part No.	Fig.	Screen Size in Inches	Panel Thickness	Price Each		
					1	25	50
633-FTAS225-57AN	FTAS225-57AN	C	5.7	.083" (2.1mm)	41.49	39.10	38.15

LCD Touch Panel Control Boards

- Interface: USB and RS232C
- High Speed and Accuracy
- Built-in Calibration Function
- Data Function Removal Built In to Eliminate Noise
- High Quality and Reliability
- Easy Integration Replacing Mouse Functionality
- Compatible with Control Board USB/RS232C
- Device Driver Compatible with Vista and Windows XP Operating Systems

For quantities greater than listed, call for quote.

MOUSER STOCK NO.	NKK Part No.	Fig.	Type	Controller Board For	Price Each		
					1	25	50
633-FTCU05B	FTCU05B	D	5 Wire	RS232C	78.66	72.76	72.10
633-FTCU04B	FTCU04B	D	4 Wire	RS232C	78.66	72.76	72.10

OLED MULTI-FONT GRAPHIC DISPLAYS

Newhaven Display Multi-Font Graphic OLED Display Modules are the first line of displays to be added to Newhaven's new Multi-Font Display family. They offer multiple built-in languages, providing significant time savings on programming projects and eliminating the need to have more than one of the same OLED display when multiple languages are needed. These Multi-Font Graphic OLEDs feature a unique IC that contains over 50 languages and 37 standard font tables. They offer a perfect worldwide solution to an international need.

Features:

- Multi-Language Fonts built-in
- Parallel or serial MPU interface
- Available in emitting colors of blue or yellow
- Single, low voltage power supply: +3V
- RoHS compliant

For quantities greater than listed, call for quote.

MOUSER STOCK NO.	Display Diag. (in.)	Display Format	Voltage Supply	External Dimensions (mm)	Built-in Controller	Module Size (mm)	Backlight (OLED)	Price Each			
								1	5	10	50
763-2.23-12832UMB3	2.23	128 x 32	3.0V	63.2 x 43.1 x 6	SSD1305	63.2 x 43.1	Blue	27.90	26.22	24.54	23.14
763-2.23-12832UMY3	2.23	128 x 32	3.0V	63.2 x 43.1 x 6	SSD1305	63.2 x 43.1	Yellow	27.90	26.22	24.54	23.14
763-2.7-12864UMY3	2.7	128 x 64	3.0V	82 x 47.5 x 6	SSD1325	82 x 47.5	Yellow	34.50	32.43	30.35	28.62
763-2.8-25664UMB3	2.8	256 x 64	3.0V	85 x 39.8 x 6	SSD1322	85 x 39.8	Blue	33.25	31.25	29.25	27.58
763-2.8-25664UMY3	2.8	256 x 64	3.0V	85 x 39.8 x 6	SSD1322	85 x 39.8	Yellow	33.25	31.25	29.25	27.58
763-3.12-25664UMB3	3.12	256 x 64	3.0V	89.2 x 44 x 6	SSD1322	89.2 x 44	Blue	34.75	32.66	30.57	28.83
763-3.12-25664UMY3	3.12	256 x 64	3.0V	89.2 x 44 x 6	SSD1322	89.2 x 44	Yellow	34.75	32.66	30.57	28.83

OLED GRAPHIC DISPLAYS

Newhaven Display OLED Display Modules are Organic Light Emitting Diodes which are brighter, higher contrast displays that have faster response times, wider viewing angles, and consume less power than conventional VFD, LED, or LCD Displays. OLED displays are self-illuminating and require no backlight for maximum visibility in all environments, which also allows them to be significantly thinner than standard displays. Available in several colors and dimensions, the Newhaven Display OLED Display Modules each have a built-in controller and a single, low voltage power supply.

Features:

- Thin designs
- Self-illuminated; no backlight necessary
- Low power consumption
- High brightness
- Serial or Parallel MPU interface
- RoHS Compliant

Specifications:

- Wide Viewing Angle: 80°
- High Contrast Ratio: 2000:1
- Fast Response Time: 10µs

For quantities greater than listed, call for quote.

MOUSER STOCK NO.	Display Diag. (in.)	Display Format	Voltage Supply	External Dimensions (mm)	Built-in Controller	Module Size (mm)	Backlight (OLED)	Price Each			
								1	5	10	50
763-NHD1.2712896UGC3	1.27	128 x 96	2.8V	45 x 45 x 6	SSD1351	26 x 20	None	26.90	25.28	23.66	22.31
763-NHD1.5128128UGC3	1.5	128 x 128	2.8V	45 x 62 x 6	SSD1351	28 x 28	None	27.50	25.85	24.19	22.81
763-NHD1.6916012UGC3	1.69	160 x 128	2.8V	45 x 62 x 6	SEPS525	32 x 28	None	28.50	26.79	25.07	23.64
763-2.23-12832UCB3	2.23	128 x 32	2.8V	63.2 x 43.1 x 6	SSD1305	60 x 18	Blue	27.65	25.99	24.32	22.94
763-2.23-12832UCY3	2.23	128 x 32	2.8V	63.2 x 43.1 x 6	SSD1305	60 x 18	Yellow	26.90	26.30	25.71	25.12
763-2.7-12864UCY3	2.7	128 x 64	2.8V	82 x 47.5 x 6	SSD1325	66 x 33	Yellow	35.00	32.90	30.79	29.03
763-2.8-25664UCB2	2.8	256 x 64	2.5V	82 x 39.8 x 6	SSD1322	72 x 20	Blue	32.25	30.31	28.37	26.75
763-2.8-25664UCY2	2.8	256 x 64	2.5V	82 x 39.8 x 6	SSD1322	72 x 20	Yellow	32.25	30.31	28.37	26.75
763-3.12-25664UCB2	3.12	256 x 64	2.5V	89.2 x 44 x 6	SSD1322	82 x 22	Blue	33.25	31.25	29.25	27.58
763-3.12-25664UCY2	3.12	256 x 64	2.5V	89.2 x 44 x 6	SSD1322	82 x 22	Yellow	33.25	31.25	29.25	27.58

OLED CHARACTER DISPLAYS

Newhaven Display Character OLED Display Modules each have a built-in LCD comparable controller and are size compatible to NHD-0216K1Z series Character LCDs. These Character OLED Displays are available in several colors and dimensions.

Features:

- 4 built-in Font Tables
- Operating Temperature Range: -40°C to +80°C
- Operating Voltage: 5V

For quantities greater than listed, call for quote.

MOUSER STOCK NO.	Display Format	Operating Current	External Dimensions (mm)	Viewing Area (mm)	Backlight (OLED)	Price Each			
						1	5	10	50
763-NHD-0216KZW-AB5	2 x 16	30mA	80 x 36 x 10	66 x 16	Blue	27.95	26.27	24.59	23.18
763-NHD-0216KZW-AG5	2 x 16	30mA	80 x 36 x 10	66 x 16	Green	27.95	26.27	24.59	23.18
763-NHD-0216KZW-AY5	2 x 16	30mA	80 x 36 x 10	66 x 16	Yellow	27.95	26.27	24.59	23.18
763-NHD-0216SZW-BG5	2 x 16	43mA	122 x 44 x 10	99 x 24	Green	33.00	31.02	29.03	27.37
763-NHD-0216SZW-BY5	2 x 16	43mA	122 x 44 x 10	99 x 24	Yellow	33.00	31.02	29.03	27.37
763-NHD-0220DZW-AY5	2 x 20	35mA	116 x 37 x 9.8	85 x 18.6	Yellow	28.50	26.79	25.07	23.64
763-NHD-0420DZW-AG5	4 x 20	43mA	98 x 60 x 10	77 x 25.2	Green	32.36	30.42	28.47	26.85
763-NHD-0420DZW-AY5	4 x 20	43mA	98 x 60 x 10	77 x 25.2	Yellow	30.90	29.04	27.18	25.63
763-NHD-0420DZW-AB5	4 x 20	60mA	98 x 60 x 10	77 x 25.2	Blue	30.90	29.04	27.18	25.63

LCD CHARACTER DISPLAYS

Character LCD Displays come in standard sizes and can be used as compatible replacements for VFD modules. They feature pre-programmed font tables to display simple text and are available as either STN or FSTN type displays.

Features:

- 8 backlight color options
- Low power, high brightness backlight
- Positive or negative image options
- Industry standard sizes and interfaces
- Custom touch panels available
- 4 font tables available for character LCD modules
- Wide operating temperature
- RoHS Compliant

For quantities greater than listed, call for quote.

MOUSER STOCK NO.	Character Size: mm (CHxCW)	Display Format	Voltage Supply	Display Type	Module Size (mm)	Backlight (LED)	Price Each			
							1	5	10	50
763-0108FZ-RN-YBW	10.75 x 6.45	1 x 8	5V	STN - Y/G	84 x 44	None	8.75	8.22	7.69	7.25
763-0108FZ-FSW-GBW	7.28 x 5.02	1 x 8	3.3V	STN - Gray	60.7 x 33.85	White (16mA)	8.50	7.99	7.47	7.05
763-0108CZFSGWBW33V3	7.71 x 4.20	1 x 8	3.3V	STN - Gray	69 x 27	White	8.75	8.22	7.69	7.25
763-0108FZFLYBW33V3	10.8 x 6.5	1 x 8	3.3V	STN - Y/G	84 x 44	Yellow/Green	9.00	8.46	7.91	7.46
763-0108BZRNYBW33V3	7.10 x 3.40	1 x 8	3.3V	STN - Y/G	51 x 24.2	Yellow/Green	7.55	7.09	6.64	6.26
763-0108BZFYSYBW33V3	7.10 x 3.40	1 x 8	3.3V	STN - Y/G	51 x 24.2	Yellow/Green	8.60	8.08	7.56	7.13
763-0208AZ-RN-YBW	4.75 x 2.95	2 x 8	5V	STN - Y/G	40 x 35.4	None	8.25	7.75	7.25	6.84
763-0208AZ-FL-YBW	4.75 x 2.95	2 x 8	5V	STN - Y/G	40 x 35.4	Yellow/Green	9.50	8.93	8.35	7.88
763-0208AZ-FL-GBW	4.75 x 2.95	2 x 8	5V	STN - Gray	40 x 35.4	Yellow/Green	9.55	8.97	8.40	7.92
763-0208BZ-FL-YBW	5.56 x 2.96	2 x 8	5V	STN - Y/G	58 x 32	Yellow/Green	9.75	9.16	8.57	8.08
763-0208BZ-FL-GBW	5.56 x 2.96	2 x 8	5V	STN - Gray	58 x 32	Yellow/Green	9.85	9.25	8.66	8.17
763-0208BZFSGWBW33V3	5.56 x 2.96	2 x 8	3.3V	STN - Gray	58 x 32	White	10.10	9.49	8.88	8.37
763-0208BZRNYBW33V3	5.56 x 2.96	2 x 8	3.3V	STN - Y/G	58 x 32	Yellow/Green	8.30	7.80	7.30	6.88
763-0212WH-AYGH-JT	6.35 x 2.7	2 x 12	5V	STN - Gray	55.7 x 32	Yellow/Green	9.70	9.11	8.53	8.04
763-NHD-0116AZ-FLYBW	6.56 x 3.07	1 x 16	5V	STN - Y/G	80 x 36	Yellow/Green	10.50	9.87	9.23	8.71
763-0116GZ-FL-YBW	14.54 x 6	1 x 16	5V	STN - Y/G	151 x 40	Yellow/Green	21.00	19.74	18.47	17.42
763-0116GZ-FSW-GBW	14.54 x 6	1 x 16	5V	STN - Gray	151 x 40	White	22.10	20.77	19.44	18.33
763-NHD-02161ZFSYBW	3.23 x 1.85	2 x 16	5V	STN - Y/G	53 x 20	Yellow/Green	10.00	9.40	8.79	8.29

NEWHAVEN LCD and COG Displays

RoHS Compliant This page of product is RoHS compliant.

LCD CHARACTER DISPLAYS (CONT.)

- Features:**
- 8 backlight color options
 - Low power, high brightness backlight
 - Positive or negative image options
 - Industry standard sizes and interfaces
 - Custom touch panels available
 - 4 font tables available for character LCD modules
 - Wide operating temperature
 - RoHS Compliant

For quantities greater than listed, call for quote.

MOUSER STOCK NO.	Character Size: mm (CH x CW)	Display Format	Voltage Supply	Display Type	Module Size (mm)	Backlight (LED)	Price Each			
							1	5	10	50
763-NHD-0216PZ-FLYBW	4.35 x 2.95	2 x 16	5V	STN - Y/G	80 x 36	Yellow/Green	10.50	9.87	9.23	8.71
763-0216HZ-FL-YBW-C	4.99 x 2.55	2 x 16	5V	STN - Y/G	65.5 x 36.7	Yellow/Green	11.50	10.81	10.11	9.54
763-0216K1Z-FL-YBW	5.23 x 3	2 x 16	5V	STN - Y/G	80 x 36	Yellow/Green	10.50	9.87	9.23	8.71
763-0216K1Z-FL-GBW	5.23 x 3	2 x 16	5V	STN - Gray	80 x 36	Yellow/Green	10.60	9.96	9.32	8.79
763-0216K1Z-FSPG-GBW	5.23 x 3	2 x 16	5V	STN - Gray	80 x 36	Pure Grn (20mA)	10.70	10.05	9.41	8.87
763-0216K1Z-FSB-GBW	5.23 x 3	2 x 16	5V	STN - Gray	80 x 36	Blue (20mA)	10.70	10.05	9.41	8.87
763-0216K1Z-FSO-GBW	5.23 x 3	2 x 16	5V	STN - Gray	80 x 36	Orange (20mA)	10.70	10.05	9.41	8.87
763-0216K1Z-FSR-GBW	5.23 x 3	2 x 16	5V	STN - Gray	80 x 36	Red (20mA)	10.70	10.05	9.41	8.87
763-0216K1Z-FSW-GBW	5.23 x 3	2 x 16	5V	STN - Gray	80 x 36	White (20mA)	11.60	10.90	10.20	9.62
763-0216K1Z-NSW-BBW	5.23 x 3	2 x 16	5V	STN - Blue	80 x 36	White (20mA)	11.70	10.99	10.29	9.70
763-0216K1Z-FSPG-FBW	5.23 x 3	2 x 16	5V	FSTN (+)	80 x 36	Pure Grn (20mA)	11.00	10.34	9.67	9.12
763-0216K1Z-FSB-FBW	5.23 x 3	2 x 16	5V	FSTN (+)	80 x 36	Blue (20mA)	11.00	10.34	9.67	9.12
763-0216K1Z-FSW-FBW	5.23 x 3	2 x 16	5V	FSTN (+)	80 x 36	White (20mA)	11.80	11.09	10.38	9.79
763-0216K1Z-NSB-FBW	5.23 x 3	2 x 16	5V	FSTN (-)	80 x 36	Blue (20mA)	11.10	10.43	9.76	9.20
763-0216K1Z-NSO-FBW	5.23 x 3	2 x 16	5V	FSTN (-)	80 x 36	Orange (20mA)	11.10	10.43	9.76	9.20
763-0216K1Z-NSA-FBW	5.23 x 3	2 x 16	5V	FSTN (-)	80 x 36	Amber (20mA)	11.10	10.43	9.76	9.20
763-0216K1Z-NSR-FBW	5.23 x 3	2 x 16	5V	FSTN (-)	80 x 36	Red (20mA)	11.10	10.43	9.76	9.20
763-0216K1Z-NSW-FBW	5.23 x 3	2 x 16	5V	FSTN (-)	80 x 36	White (20mA)	11.90	11.18	10.47	9.87
763-0216BZ-FL-YBW	5.23 x 3	2 x 16	5V	STN - Y/G	84 x 44	Yellow/Green	10.00	9.40	8.79	8.29
763-0216SZ-FL-YBW	9.55 x 5.20	2 x 16	5V	STN - Y/G	122 x 44	Yellow/Green	20.50	19.27	18.03	17.00
763-0216SZ-NSW-BBW	9.55 x 5.20	2 x 16	3V	STN - Blue	122 x 44	White	21.70	20.39	19.09	18.00
763-0216HZFWSFWB3V3	4.99 x 2.55	2 x 16	3.3V	FSTN (+)	65.5 x 36.7	White	11.60	10.90	10.20	9.62
763-0416BZ-FL-GBW	4.75 x 2.95	4 x 16	5V	STN - Gray	87 x 60	Yellow/Green	18.10	17.01	15.92	15.01
763-0220GZ-FSW-GBW	4.62 x 2.49	2 x 20	5V	STN - Gray	80 x 36	White (20mA)	12.10	11.37	10.64	10.03
763-NHD-0220GZ-FLYBW	4.62 x 2.49	2 x 20	5V	STN - Y/G	80 x 36	Yellow/Green	11.10	10.43	9.76	9.20
763-0220DZ-FL-YBW	5.55 x 3.20	2 x 20	5V	STN - Y/G	116 x 37	Yellow/Green	14.70	13.81	12.93	12.19
763-0220AZ-FL-YBW	9.22 x 4.84	2 x 20	5V	STN - Y/G	146 x 43	Yellow/Green	24.00	22.56	21.11	19.91
763-0220ZFWSWGP3V3	4.25 x 1.85	2 x 20	3.3V	STN - Gray	65 x 20	White	10.90	10.24	9.59	9.04
763-0220JZ-FSW-FBW	12 x 6	2 x 20	5V	FSTN (+)	182 x 60	White	31.00	29.14	27.27	25.72
763-NHD0420H1ZFSWGBW	5.15 x 2.35	4 x 20	5V	STN - Gray	66 x 36	Side White	18.75	17.62	16.49	15.55
763-0420DZ-FL-YBW	4.75 x 2.95	4 x 20	5V	STN - Y/G	98 x 60	Yellow/Green	21.95	20.63	19.31	18.21
763-0440AZ-FL-YBW	4.89 x 2.78	4 x 40	5V	STN - Y/G	190 x 54	Yellow/Green	23.50	22.09	20.67	19.49
763-0420AZFLYBW3V3	4.03 x 2.3	4 x 20	3.3V	STN - Y/G	77 x 47	Yellow/Green	17.95	16.87	15.79	14.89
763-0420AZFSWGBW3V3	4.03 x 2.30	4 x 20	3.3V	STN - Gray	77 x 47	White	19.10	17.95	16.80	15.84
763-0420H1ZFLYBW3V3	5.15 x 2.35	4 x 20	3.3V	STN - Gray	79 x 36	Yellow/Green	17.70	16.63	15.57	14.68
763-0420DZFLYBW3V3	4.75 x 2.95	4 x 20	3.3V	STN - Y/G	98 x 60	Yellow/Green	21.95	20.63	19.31	18.21
763-0420H1ZFSWGBW3V3	5.15 x 2.35	4 x 20	3.3V	STN - Gray	79 x 36	Side White	18.75	17.62	16.49	15.55
763-C0220BIZ-FS-FBW	5.55 x 2.45	2 x 20	3.3V	FSTN (+)	71.6 x 27.1	Side RGB	12.00	11.28	10.55	9.95

LCD GRAPHIC DISPLAYS

- Features:**
- 8 backlight color options
 - Low power, high brightness backlight
 - Positive or negative image options
 - Industry standard sizes and interfaces
 - Custom touch panels available
 - 4 font tables available for character LCD modules
 - Wide operating temperature
 - RoHS Compliant
 - 5V Std Power Supply
 - Bitmap Graphics, built in controllers
 - 8-Bit Parallel

*: 3.3 Volt Supply For quantities greater than listed, call for quote.

MOUSER STOCK NO.	Module Size: (mm)	Display Format	Connection Type	Display Type	Backlight (LED)	Display Mode	Price Each			
							1	5	10	50
763-NHD12232WGEYYHVA	80 x 36	122 x 32	1 x 20 T	STN - Yellow/Green	Yellow/Green - LED	Transflective	15.00	14.10	13.19	12.44
763-12232KZ-NSW-BBW	83.5 x 27.5	122 x 32	2 x 10 Back	STN - Blue (-)	White - LED	Transmissive	12.50	11.56	10.81	10.40
763-12232AZ-FL-YBW	84 x 44	122 x 32	1 x 16 Top	STN - Y/G	Yellow/Green - LED	Transflective	14.00	13.16	12.31	11.61
763-320240WG-ATMI-VZ	160 x 109	122 x 92	2 x 20 T	STN - Blue (-)	White - LED	Transmissive	68.00	63.92	59.82	56.41
763-12864MZ-FSW-GBW	63.2 x 52.2	128 x 64	1 x 20 B	STN - Gray	White - LED (20mA)	Transflective	21.00	19.74	18.47	17.42
763-12864WG - BTMI-VN	75 x 52.7	128 x 64	1 x 20 B	STN - Blue (-)	White - LED	Transmissive	24.00	22.56	21.11	19.91
763-12864AZ-FSW-GBW	93 x 70	128 x 64	1 x 20 B	STN - Gray	White - LED	Transflective	24.00	22.56	21.11	19.91
763-NHD-160128WGB	129 x 102	160 x 128	2 x 20 T	STN - Gray	White - LED	Transflective	66.80	62.79	58.77	55.42
763-NHD-160128WGBT	129 x 102	160 x 128	1 x 20 R	STN - Blue (-)	White - LED	Transmissive	67.00	62.98	58.94	55.58
763-NHD24064WGATFHVZ	65 x 180	240 x 64	1 x 20 B	FSTN (+)	White - LED	Transflective	57.25	53.81	50.37	47.49
* 763-320240WG-BXTGF	166.8 x 109	320 x 240	1 x 20 B	STN - Gray	White - LED	Transflective	77.00	72.38	67.74	63.88
763-NHD240128WGBTG	144 x 104	240 x 128	1 x 20 T	FSTN (+)	White - LED	Transflective	64.00	60.16	56.30	53.10
763-240128WG-AFTIVZC	170 x 103.5	240 x 128	1 x 20 R	FSTN (-)	White - LED	Transmissive	81.00	76.14	71.26	67.20
763-240128WG-ATFH-VZ	170 x 103.5	240 x 128	1 x 20 R	FSTN (+)	White - LED	Transflective	58.95	55.41	51.86	48.91
763-240128WG-ATMI-VZ	170 x 93	240 x 128	1 x 20 R	STN-Blue (-)	White - LED	Transmissive	58.50	54.99	51.47	48.53

SERIAL LCD DISPLAYS

- Features:**
- I²C, SPI, and RS232 Serial Interfaces
 - Save development time and I/O lines
 - Simple hardware interfacing
 - Software controlled contrast and backlighting brightness
 - Standard LCD commands and fonts
 - No extra boards or logic required, standard LCD sizes
 - Custom development available

For quantities greater than listed, call for quote.

MOUSER STOCK NO.	Character Size mm (CH x CW)	Display Format	Voltage Supply	Display Type	Module Size (mm)	Backlight (LED)	Price Each			
							1	5	10	50
763-0216K3ZFLGBWV3	5.23 x 3	2 x 16	5V	STN - Gray	80 x 36	Yellow/Green	19.75	18.56	17.37	16.38
763-0216B3ZFLGBW-V3	5.23 x 3	2 x 16	5V	STN - Gray	84 x 44	Yellow/Green	19.95	18.75	17.55	16.55
763-0216K3ZFSRFBFBWV	5.23 x 3	2 x 16	5V	FSTN (+)	80 x 36	RGB	21.90	20.58	19.26	18.17
763-0216K3ZNSRFBFBWV	5.23 x 3	2 x 16	5V	FSTN (-)	80 x 36	RGB	22.00	20.68	19.35	18.25
763-0216S3ZFLGBW-V3	9.55 x 5.2	2 x 16	5V	STN - Gray	122 x 44	Yellow/Green	22.30	20.96	19.62	18.50
763-0220D3ZFLGBW-V3	5.55 x 3.2	2 x 20	5V	STN - Gray	116 x 37	Yellow/Green	22.20	20.86	19.53	18.41
763-0420D3ZFLGBW-V3	4.75 x 2.95	4 x 20	5V	STN - Gray	98 x 60	Yellow/Green	24.90	23.40	21.90	20.65
763-0420D3ZNSWBBW-V3	4.75 x 2.95	4 x 20	5V	STN - Blue	98 x 60	White	25.90	24.34	22.78	21.48

CHIP ON GLASS CHARACTER DISPLAYS

COG (Chip-On-Glass) displays are monochromatic passive or active matrix LCD displays that can display information as text or in a dot matrix pattern. Unlike typical LCD displays, COG displays don't have a built-in PCB board and instead have the IC directly mounted on the glass of the display. This type of technology is perfect for less demanding applications since they require less power than VFDs, are smaller in size and are typically less expensive than other display technologies.

- Features:**
- Monochrome graphic with custom icons
 - Low power, high brightness backlight
 - Positive or negative image options
 - Cost effective over COB because less ICs are required
 - Space saving; COG LCDs can be as thin as 2mm
 - 4 font tables available for character LCD modules
 - Wide operating temperature

For quantities greater than listed, call for quote.

MOUSER STOCK NO.	Module Size: mm (W x H x T)	Display Format	Voltage Supply	Display Type	Backlight (LED)	Display Mode	Recommended Thru-Hole Adapters	Price Each			
								1	5	10	50
763-C0216CZ-NSWBBW3V	41.4 x 24.3 x 4	2 x 16	3V	STN - Blue	White	Transmissive	763-NHD-COG14-36	11.00	10.34	9.67	9.12
763-C0216CZ-FSWFBW3V	41.4 x 24.3 x 4	2 x 16	3V	FSTN (+)	White	Transflective	763-NHD-COG14-36	11.00	10.34	9.67	9.12
763-C0216AZ-FN-GBW	49.7 x 25.3 x 2.1	2 x 16	5V	STN - Gray	None	Transflective	763-NHD-COG14-36	9.11	8.56	8.01	7.55

CHIP ON GLASS DISPLAYS (CONT.)

For quantities greater than listed, call for quote.

MOUSER STOCK NO.	Module Size: mm (W x H x T)	Display Format	Voltage Supply	Display Type	Backlight (LED)	Display Mode	Recommended Thru-Hole Adapters	Price Each			
								1	5	10	50
Character Displays (Cont.)											
763-C0216CU-FSWGBW3V	56 x 25.3 x 5.5	2 x 16	3.0V	STN - Gray	White	Transflective	763-NHD-COG14-36	10.25	9.63	9.01	8.50
763-C0220AA-FSW-FW	69.5 x 18.5 x 6.1	2 x 20	3.3V	FSTN (+)	White	Transflective	763-NHD-COG14-36	10.25	9.63	9.01	8.50
763-C0220BIZ-FSW-FBW	71.6 x 27.1 x 6.8	2 x 20	3.3V	FSTN (+)	White	Transflective	-	10.40	9.77	9.15	8.62
Graphic Displays											
763-C12832A1ZFSBFBW3	41.4 x 24.3 x 4	128 x 32	3.3V	FSTN (+)	Blue	Transflective	-	11.00	10.34	9.67	9.12
763-C12832A1ZNSWBWB3	41.4 x 24.3 x 4	128 x 32	3V	STN - Blue	White	Transmissive	-	11.00	10.34	9.67	9.12
763-C12832A1ZFSWFBW3	41.4 x 24.3 x 4	128 x 32	3V	FSTN (+)	White	Transflective	-	11.00	10.34	9.67	9.12
763-12832A1ZFSRFBFBW	41.4 x 24.3 x 5.5	128 x 32	3.0V	FSTN (+)	RGB	Transflective	-	12.00	11.28	10.56	9.96
763-C12864B2Z-RN-FBW	48 x 36 x 2	128 x 64	3V	FSTN (+)	None	Reflective	763-NHD-FFC28	12.05	11.32	10.60	9.99
763-C12864GG-RN	55.5 x 38 x 2	128 x 64	3V	STN - Gray	None	Reflective	763-NHD-FFC26	11.00	10.34	9.67	9.12
763-C12864KGZFSW-GBW	55.5 x 38 x 5	128 x 64	3V	STN - Gray	White	Transflective	-	13.00	12.22	11.43	10.78
763-C12864WCFSWFBW3M	66 x 44 x 5.7	128 x 64	3.0V	FSTN (+)	White	Transflective	763-NHD-FFC30	16.00	15.04	14.07	13.27
763-C12864WCFSWFBW3V	66 x 44 x 5.7	128 x 64	3.3V	FSTN (+)	White	Transflective	-	16.00	15.04	14.07	13.27
763-12864LZFSWFBW3V3	77 x 52.4 x 6.5	128 x 64	3.3V	FSTN (+)	White	Transflective	-	15.50	14.57	13.63	12.86
763-C12864A1ZFSBFBW3	80 x 54 x 10.2	128 x 64	3.3V	FSTN (+)	Blue	Transflective	-	21.00	19.74	19.37	19.00
763-C12864A1ZFSWFBWH	80 x 54 x 10.2	128 x 64	3.3V	FSTN (+)	White	Transflective	-	21.00	19.74	19.37	18.90
763-C12864A1ZFSRFBWH	80 x 54 x 10.2	128 x 64	3.3V	FSTN (+)	Red	Transflective	-	21.00	19.74	19.37	19.13
763-C12864A1ZFSRFBFB	81 x 54 x 10.2	128 x 64	3.3V	FSTN (+)	RGB	Transflective	-	22.00	21.56	21.40	21.29
763-C12864WO-BITGH	89.7 x 49.8 x 6	128 x 64	3.3V	STN - Gray	White	Transflective	763-NHD-FFC30	19.50	18.33	17.15	16.17
763-128128BZ-FSW-GBW	71.3 x 75.41 x 6	128 x 128	3V	STN - Gray	White	Transflective	763-NHD-FFC30	25.00	23.50	21.99	20.74

LCD TFT DISPLAYS

TFT (Thin-Film Transistor) Displays are active-matrix LCDs with full RGB color screens. These screens feature bright, vivid colors and have the ability to show fast animations, complex graphics and crisp custom fonts.

- Features:**
- 8, 16 or 24 bit digital interfaces
 - Available with and without touch screens
 - High brightness LED backlights
 - Wide viewing angle
 - Wide operating temperature
 - Available with or without controllers

For quantities greater than listed, call for quote.

MOUSER STOCK NO.	Module Size Diagonal (in.)	Display Format	Interface	Module Size (mm)	Backlight (LED)	Display Mode	Price Each				
							1	5	10	50	
Displays											
763-1.8128160EFTXII#	1.8	128 x 160	8 Bit Par.	34.7 x 46.75 x 2.25	White LED	Parallel	9.95	9.35	8.75	8.25	
763-1.8128160EFTXII#F	1.8	128 x 160	8 Bit Par.	34.7 x 46.75 x 2.25	White LED	Parallel	9.95	9.35	8.75	8.25	
763-1.8128160EFTXII#T	1.8	128 x 160	8 Bit Par.	34.7 x 46.75 x 2.25	White LED	Parallel	10.95	10.29	9.63	9.08	
763-1.8128160EFTXIFT	1.8	128 x 160	8 Bit Par.	34.7 x 46.75 x 2.25	White LED	Parallel	10.95	10.29	9.63	9.08	
763-3.5-320240MFATXL	3.5	320 x 240	24 Bit Dig.	76.9 x 63.8 x 3.3	White LED	Transmissive	28.50	26.79	25.07	23.64	
763-240320SFCXTLFTN1	2.4	240 x 360	8 or 16 Bit Par.	42.72 x 60.26 x 3.6	White LED	Parallel	15.85	14.90	13.94	13.15	
763-3.5320240MFATXL	3.5	320 x 240	24 Bit Dig.	76.9 x 63.8 x 3.3	White LED	Transmissive	31.50	29.61	27.71	26.13	
763-5.0800480TFATXL#	5.0	800 x 480	24 Bit Dig.	120.7 x 75.8 x 3.1	White LED	Transmissive	46.00	43.24	40.47	40.00	
763-5.7-320240WFBET1	5.7	320 x 240	16 Bit Dig.	149 x 109 x 11.5	White LED	Transmissive	89.00	83.66	78.30	73.84	
763-50800480TFATXL#T	5.0	800 x RGB x 480	24 Bit RGB	120.7 x 75.2 x 4.3	White LED	Parallel	66.18	63.85	60.66	56.00	
763-5.0-800480TFATXI	5.0	800 x RGB x 480	24 Bit RGB	120.7 x 75.8 x 3.1	White LED	Transmissive	44.00	41.36	38.71	36.50	
763-7.0800480WFCXTIT	7.0	800 x 480	8 Bit Dig.	165 x 104.44 x 6.59	White LED	Transmissive	100.00	99.18	98.37	97.56	
763-7.0800480EFATXL#	7.0	800 x RGB x 480	24 Bit Digital RGB	165 x 104 x 3.5	White LED	Parallel	55.00	51.70	48.39	45.63	
763-7.0800480EFATXV#	7.0	800 x RGB x 480	24 Bit Digital RGB	165 x 104 x 3.5	White LED	Parallel	60.00	56.40	52.79	49.78	
763-70800480EFATXL#T	7.0	800 x RGB x 480	24 Bit Digital RGB	165 x 104 x 4.7	White LED	Parallel	65.00	61.10	57.19	53.93	
763-70800480EFATXV#T	7.0	800 x RGB x 480	24 Bit Digital RGB	165 x 104 x 4.7	White LED	Parallel	70.00	65.80	61.58	58.07	
763-7.0800480WFAXTIT	7.0	800 x RGB x 480	18 Bit RGB	165 x 104.44 x 6.59	White LED	Transmissive	82.75	79.50	77.50	75.75	
Capacitive Touch Panels											
763-3.5320240MFLCTP1	3.5	320 x 240	24 Bit Dig.	76.9 x 63.9 x 3.3	White LED	Transmissive	44.50	41.83	40.93	40.93	
763-480272EFAFXLCTP	4.3	480 x 272	24 Bit Dig.	105.5 x 67.1 x 3.1	White LED	Transmissive	58.00	54.52	51.03	48.12	
763-5800480TFATXLCTP	5.0	800 x 480	24 Bit Dig.	120.7 x 75.8 x 4.6	White LED	Transmissive	70.00	65.80	61.58	61.55	
763-NHD7.0EFAFXL#CTP	7.0	800 x 480	24 Bit Dig.	165 x 104 x 4.7	White LED	Parallel	90.00	-	-	-	
763-NHD7.0EFAFXV#CTP	7.0	800 x 480	24 Bit Par.	165 x 104 x 4.7	White LED	Parallel	96.25	-	-	-	
Accessories											
763-TS320240BRNO			4-Wire Resistive, 5.88" with Adhesive, 122.1 x 93.3mm Touch Screen Overlay					21.60	20.38	19.64	18.30
763-TS-TFT3.5Z			4-Wire Resistive, 3.5" with Adhesive, 71.82 x 52.56mm Touch Screen Overlay					9.95	9.33	8.75	8.75

VFD CHARACTER MODULES, DOT MATRIX

VFDs (Vacuum Fluorescent Displays) are high contrast displays that can display 7-segment numerals, multi-segment alphanumeric characters or a dot matrix pattern. These display types are typically colored green, bright and perform well in both dark and full sunlight environments. VFDs use a self-emitting fluorescent light allowing them to operate in extreme cold and hot temperatures.

- Features:**
- LCD compatible
 - User definable fonts
 - Wide operating temperatures (-40°C to +85°C)
 - +5V power supply
 - Self-emitting
 - Colored filters available

For quantities greater than listed, call for quote.

MOUSER STOCK NO.	Module Size (mm)	Display Format	Digit Format	Display Type	Backlight (LED)	Display Mode	Price Each			
							1	5	10	50
763-216SD-162SDAR2	80 x 36 x 18	2 x 16	5 x 8	5.34 x 2.1	Serial/Parallel	1 x 14 Top	39.00	36.66	34.31	32.35
763-216MD-162MDBR2	122 x 44 x 20	2 x 16	5 x 8	9.22 x 3.85	Serial/Parallel	1 x 14 Bottom	45.00	42.30	39.59	37.33

LED BACKLIGHT DRIVER

For quantities greater than listed, call for quote.

MOUSER STOCK NO.	Description	Price Each	
		1	5
763-5.7B-LED-DRIVER	HIMAX HA7101 LED Driver, 5V input for 9.9V output for NHD-5.7-320240WFB Series	10.00	9.40

LCD DEVELOPMENT BOARD

For quantities greater than listed, call for quote.

MOUSER STOCK NO.	Description	Price Each	
		1	5
763-NHDEV	Evaluation tool for demonstrating TFTs, Character, Graphic and COGs. 100mm x 95mm	190.00	187.00

CONTROLLER BOARDS

For quantities greater than listed, call for quote.

MOUSER STOCK NO.	Description	Supply Current (mA)	Supply Voltage (V)	Price Each
763-3.5320240MF20	NHD-3.5-320240MF-20 Controller Board	8.6	3-3.6	30.00
763-3.5320240MF22	NHD-3.5-320240MF-22 Controller Board	8.6	3-3.6	30.00
763-3.5320240MF34	NHD-3.5-320240MF-34 Controller Board	8.6	3-3.6	30.00
763-4.3480272MF20	NHD-4.3-480272MF-20 Controller Board	285	3-3.6	30.00
763-4.3480272MF34	NHD-4.3-480272MF-34 Controller Board	285	3-3.6	30.00

FFC TO THRU-HOLE ADAPTERS AND CABLES

- Features:**
- 52mm x 40mm board size
 - Various pins outs and pitches for many displays

For quantities greater than listed, call for quote.

MOUSER STOCK NO.	Description	Price Each		
		1	5	10
763-NHD-FFC16-1	16 pin FFC-thru hole adapter	10.00	9.40	8.79
763-NHD-FFC18	18 pin FFC-thru hole adapter	10.00	9.40	8.79
763-NHD-FFC18-1	18 pin FFC-thru hole adapter	10.00	9.40	8.79
763-NHD-FFC20	20 pin FFC-thru hole adapter	10.00	9.40	8.79
763-NHD-FFC20-1	20 pin FFC-thru hole adapter	12.00	11.28	10.55
763-NHD-FFC26	26 pin FFC-thru hole adapter	10.00	9.40	8.79
763-NHD-FFC28	28 pin FFC-thru hole adapter	10.00	9.40	8.79
763-NHD-FFC30	30 pin FFC-thru hole adapter	10.00	9.40	8.79
763-NHD-FFC36	36 pin FFC-thru hole adapter	10.00	9.40	8.79
763-NHD-FFC37	37 pin FFC-thru hole adapter	10.00	9.40	8.79
763-NHD-FFC40	40 pin FFC-thru hole adapter	10.00	9.40	8.79
763-16POSFFC	16 position Flat Flex Cable	2.00	1.94	1.92
763-20POSFFC	20 position Flat Flex Cable	2.00	1.94	1.92

SMART LED DISPLAYS

For quantities greater than listed, call for quote.

MOUSER STOCK NO.	Avago Part No.	Character Count	Color	Interface	Character Height	Intensity (μcd)(Typ.)	Supply Current (mA)(Typ.)	Price Each			
								1	10	100	500
630-HDSP-0762	HDSP-0762	1	Red	-	7.4mm	140	78	37.24	32.58	26.53	24.76
630-HDSP-0962	HDSP-0962	1	Green	-	7.4mm	1100	120	32.28	28.24	22.99	21.46
630-HDLO-2416	HDLO-2416	4	Red	Parallel	5.1mm	3.5	110	19.83	17.78	13.33	12.00
630-HDLS-2416	HDLS-2416	4	Red	Parallel	5.1mm	12.7	125	22.04	19.76	14.81	13.33
630-HCMS-2902	HCMS-2902	4	Red	Serial	3.7mm	64	132	21.32	18.65	15.19	14.17
630-HCMS-2912	HCMS-2912	4	Red	Serial	3.7mm	64	264	32.06	28.05	22.84	21.31
630-HCMS-2915	HCMS-2915	4	Red	Serial	3.7mm	230	290	35.80	31.32	25.50	23.80
630-HDLY-2416	HDLY-2416	4	Yellow	Parallel	5.1mm	3.7	110	19.83	17.78	13.33	12.00
630-HCMS-2961	HCMS-2961	4	Yellow	Serial	4.6mm	64	132	21.94	19.19	15.63	14.59
630-HDLG-2416	HDLG-2416	4	Green	Parallel	5.1mm	5.6	110	19.83	17.78	13.33	12.00
630-HCMS-2903	HCMS-2903	4	Green	Serial	3.7mm	114	132	21.32	18.65	15.19	14.17
630-HCMS-2913	HCMS-2913	4	Green	Serial	3.7mm	114	264	32.06	28.05	22.84	21.31
630-HCMS-2963	HCMS-2963	4	Green	Serial	4.6mm	114	132	21.94	19.19	15.63	14.59
630-HDSP-2112	HDSP-2112	8	Red	Parallel	4.8mm	7.5	300	35.28	30.87	25.13	23.46
630-HDSP-2502	HDSP-2502	8	Red	Parallel	7mm	7.5	300	37.44	34.24	30.49	27.28
630-HDSP-2111	HDSP-2111	8	Yellow	Parallel	4.8mm	7.5	300	35.28	30.87	25.13	23.46
630-HDSP-2531	HDSP-2531	8	Yellow	Parallel	4.6mm	7.5	300	33.40	29.22	23.79	22.21
630-HCMS-2971	HCMS-2971	8	Yellow	Serial	4.6mm	64	264	33.40	29.22	23.79	22.21
630-HDSP-2113	HDSP-2113	8	Green	Parallel	4.8mm	7.5	300	35.28	30.87	25.13	23.46
630-HDSP-2503	HDSP-2503	8	Green	Parallel	7mm	7.5	300	37.44	34.24	30.49	27.28
630-HDSP-2533	HDSP-2533	8	Green	Parallel	4.6mm	7.5	300	33.40	29.22	23.79	22.21
630-HCMS-2973	HCMS-2973	8	Green	Serial	4.6mm	114	264	33.40	29.22	23.79	22.21
630-HCMS-2923	HCMS-2923	16	Green	Serial	3.7mm	114	528	62.32	55.20	48.97	42.74

LED DISPLAYS

For quantities greater than listed, call for quote.

MOUSER STOCK NO.	Avago Part No.	Character Count	Color	Character Height	Pin Configuration	Intensity (μcd) (Typ.)	Supply Voltage	Price Each			
								1	10	100	500
630-HDSP-7511	HDSP-7511	1	Red	7.6mm	Common Anode	270	1.6	3.52	2.64	2.14	1.78
630-HDSP-7513	HDSP-7513	1	Red	7.6mm	Common Cathode	270	1.6	3.52	2.64	2.14	1.78
630-HDSP-A101	HDSP-A101	1	Red	7.6mm	Common Anode	600	1.6	3.69	2.77	2.24	1.87
630-HDSP-A103	HDSP-A103	1	Red	7.6mm	Common Cathode	600	1.6	3.69	2.77	2.24	1.87
630-5082-7610	5082-7610	1	Red	7.6mm	Common Anode	800	2.1	3.41	2.56	2.07	1.73
630-5082-7611	5082-7611	1	Red	7.6mm	Common Anode	800	2.1	3.41	2.56	2.07	1.73
630-5082-7613	5082-7613	1	Red	7.6mm	Common Cathode	800	2.1	3.41	2.56	2.07	1.73
630-HDSP-7501	HDSP-7501	1	Red	7.6mm	Common Anode	980	2	3.08	2.31	1.87	1.56
630-HDSP-7501-CD000	HDSP-7501-CD000	1	Red	7.6mm	Common Anode	980	2	3.44	2.58	2.09	1.74
630-HDSP-7503	HDSP-7503	1	Red	7.6mm	Common Cathode	980	2	3.08	2.31	1.87	1.56
630-HDSP-7503-CD000	HDSP-7503-CD000	1	Red	7.6mm	Common Cathode	980	2	3.44	2.58	2.09	1.74
630-HDSP-A903	HDSP-A903	1	Green	7.6mm	Common Cathode	475	1.9	3.52	2.64	2.14	1.78
630-HDSP-3601	HDSP-3601	1	Green	7.6mm	Common Anode	2700	2.1	3.41	2.56	2.07	1.73
630-HDSP-7801	HDSP-7801	1	Green	7.6mm	Common Anode	3000	2.1	3.08	2.31	1.87	1.56
630-HDSP-7803	HDSP-7803	1	Green	7.6mm	Common Cathode	3000	2.1	3.08	2.31	1.87	1.56
630-HDSP-F101	HDSP-F101	1	Red	10mm	Common Anode	650	1.6	3.69	2.77	2.24	1.87
630-HDSP-F103	HDSP-F103	1	Red	10mm	Common Cathode	650	1.6	3.69	2.77	2.24	1.87
630-HDSP-F201	HDSP-F201	1	Red	10mm	Common Anode	1200	2	3.08	2.31	1.87	1.56
630-HDSP-F203	HDSP-F203	1	Red	10mm	Common Cathode	1200	2	3.08	2.31	1.87	1.56
630-HDSP-F501	HDSP-F501	1	Green	10mm	Common Anode	3500	2.1	3.08	2.31	1.87	1.56
630-HDSP-E101	HDSP-E101	1	Red	10.9mm	Common Anode	650	1.6	4.08	3.06	2.48	2.07
630-5082-7650	5082-7650	1	Red	10.9mm	Common Anode	1115	2.1	3.41	2.56	2.07	1.73
630-5082-7651	5082-7651	1	Red	10.9mm	Common Anode	1115	2.1	3.41	2.56	2.07	1.73
630-5082-7653	5082-7653	1	Red	10.9mm	Common Cathode	1115	2.1	3.41	2.56	2.07	1.73
630-5082-7656	5082-7656	1	Red	10.9mm	Overflow	1115	2.1	3.41	2.56	2.07	1.73
630-HDSP-5701	HDSP-5701	1	Yellow	14.2mm	Common Anode	1800	2.1	2.80	2.10	1.70	1.42
630-HDSP-H151	HDSP-H151	1	Red	14.2mm	Common Anode	16	1.8	3.50	2.62	2.12	1.77
630-HDSP-H153	HDSP-H153	1	Red	14.2mm	Common Cathode	16	1.8	3.50	2.62	2.12	1.77
630-HDSP-H101	HDSP-H101	1	Red	14.2mm	Common Anode	700	1.6	3.36	2.52	2.04	1.70
630-HDSP-H103	HDSP-H103	1	Red	14.2mm	Common Cathode	700	1.6	3.36	2.52	2.04	1.70
630-HDSP-5501	HDSP-5501	1	Red	14.2mm	Common Anode	2800	2.1	2.80	2.10	1.70	1.42
630-HDSP-5521	HDSP-5521	1	Red	14.2mm	Common Anode	2800	2.1	4.20	3.15	2.55	2.13
630-HDSP-5523	HDSP-5523	1	Red	14.2mm	Common Cathode	2800	2.1	4.20	3.15	2.55	2.13
630-HDSP-5503	HDSP-5503	1	Red	14.2mm	Common Cathode	2801	2.1	2.80	2.10	1.70	1.42
630-HDSP-5621	HDSP-5621	1	Green	14.2mm	Common Anode	2500	2.1	4.20	3.15	2.55	2.13
630-HDSP-5623	HDSP-5623	1	Green	14.2mm	Common Cathode	2500	2.1	4.20	3.15	2.55	2.13
630-HDSP-5601	HDSP-5601	1	Green	14.2mm	Common Anode	2800	2.1	2.80	2.10	1.70	1.42
630-HDSP-5603	HDSP-5603	1	Green	14.2mm	Common Cathode	2800	2.1	2.80	2.10	1.70	1.42
630-HDSP-3903	HDSP-3903	1	Red	20mm	Common Cathode	7000	2.6	4.87	3.65	2.95	2.47
630-HDSP-521E	HDSP-521E	2	Red	14.2mm	Common Anode	2800	2.1	1.65	1.10	.88	.73
630-HDSP-523E	HDSP-523E	2	Red	14.2mm	Common Cathode	2800	2.1	1.65	1.10	.88	.73
630-HDSP-521G	HDSP-521G	2	Green	14.2mm	Common Anode	2500	2.1	1.65	1.10	.88	.73
630-HDSP-523G	HDSP-523G	2	Green	14.2mm	Common Cathode	2500	2.1	1.65	1.10	.88	.73

BLUE NUMERIC DISPLAYS

MOUSER STOCK NO.		Fig.	Common Pin	Emitting Color	Peak Wavelength (nm)	Luminous Intensity (ucd)	Price Each				
Mfr.	Mfr. Part No.						Min.	Typ.	1	10	100
For quantities greater than listed, call for quote.											
604	—SA39-11PBWA/A	A	Anode	Blue	463	3000	7800	3.56	2.35	1.88	1.49
604	—SC39-11PBWA/A	A	Cathode	Blue	463	3000	7800	3.56	2.35	1.88	1.49
604	—SA56-51PBWA/A	B	Anode	Blue	463	1900	8500	3.48	2.29	1.83	1.45
604	—SC56-51PBWA/A	B	Cathode	Blue	463	1900	8500	3.77	2.49	1.99	1.58
604	—SA03-11PBWA/A	C	Anode	Blue	463	1200	11000	3.56	2.35	1.88	1.49
604	—SC03-11PBWA/A	C	Cathode	Blue	463	1200	11000	3.56	2.35	1.88	1.49
604	—DA56-51PBWA/A	D	Anode	Blue	463	1900	8500	5.84	4.07	3.54	2.77
604	—DC56-51PWA/A	D	Cathode	Blue	463	1900	8500	5.84	4.07	3.54	2.77
604	—DA03-11PBWA/A	E	Anode	Blue	463	480	2030	5.47	3.81	3.32	2.59
604	—DC03-11PBWA/A	E	Cathode	Blue	463	480	2030	5.47	3.81	3.32	2.59
604	—DA04-11PBWA/A	F	Anode	Blue	463	1900	14000	5.47	3.81	3.32	2.59
604	—DC04-11PBWA/A	F	Cathode	Blue	463	2900	14000	5.47	3.81	3.32	2.59

NUMERIC DISPLAYS

• Forward current: 10mA

For quantities greater than listed, call for quote.

MOUSER STOCK NO.		Fig.	Common Pin	Emitting Color	Peak Wavelength (nm)	Luminous Intensity (ucd)	Price Each				
Mfr.	Mfr. Part No.						Min.	Typ.	1	10	100
7mm											
604	—SC03-12YWA	C	Cathode	Yellow	588	1200	3000	1.54	.997	.884	.583
604	—SA03-11EWA	C	Anode	Red	625	1900	6400	1.49	.965	.856	.564
604	—SC03-12EWA	C	Cathode	Red	625	1900	6400	1.49	.965	.856	.564
14.2mm											
604	—SA56-11YWA	G	Anode	Yellow	588	1900	4700	1.49	.965	.856	.564
604	—SA56-21YWA	G	Anode	Yellow	588	1900	4700	1.49	.965	.856	.564
604	—SA56-11SRWA	G	Anode	Red	640	8000	24000	1.49	.965	.856	.564
604	—SC56-11EWA	G	Cathode	Red	625	1900	6400	1.49	.965	.856	.564
604	—SC56-12GWA	G	Cathode	Green	568	3000	10500	1.49	.965	.856	.564
10mm											
604	—DA04-11YWA	F	Anode	Yellow	588	1200	3000	2.10	1.38	1.11	.876
604	—DC04-11EWA	F	Cathode	Red	625	1900	4700	2.10	1.38	1.11	.876
604	—DA04-11EWA	F	Anode	Red	625	1900	4700	2.10	1.38	1.11	.876
14.22mm											
604	—DC56-11YWA	H	Cathode	Yellow	588	1900	4700	2.35	1.55	1.24	.981
604	—DC56-11EWA	H	Cathode	Red	625	1900	8000	2.35	1.55	1.24	.981
604	—BA56-11YWA	I	Anode	Yellow	588	1900	4700	3.69	2.43	1.95	1.54
604	—BA56-12YWA	I	Anode	Yellow	588	1900	4700	3.35	2.21	1.77	1.40
604	—BA56-12SRWA	I	Anode	Red	640	8000	24000	3.56	2.35	1.88	1.49
604	—BC56-11EWA	I	Cathode	Red	625	1900	6400	3.56	2.35	1.88	1.49
604	—BC5612GWA	I	Cathode	Green	568	3000	10500	3.56	2.35	1.88	1.49

ALPHANUMERIC LED DISPLAYS

• Size: 13.8mm

• Forward current: 10mA

For quantities greater than listed, call for quote.

MOUSER STOCK NO.		Fig.	Common Pin	Emitting Color	Peak Wavelength (nm)	Luminous Intensity (ucd)	Price Each				
Mfr.	Mfr. Part No.						Min.	Typ.	1	10	100
604	—PDA54-11YWA	J	Anode	Yellow	588	1200	3000	2.93	1.93	1.55	1.23
604	—PDA54-11SRWA	J	Anode	Red	660	8000	18000	4.41	3.07	2.67	2.09
604	—PDA54-12EWA	J	Anode	Red	625	1900	4700	2.93	1.93	1.55	1.23
604	—PDA54-12GWA	J	Anode	Green	568	3000	8000	2.72	1.80	1.44	1.14
604	—PDA54-12SRWA	J	Anode	Red	6400	8000	18000	3.14	2.07	1.66	1.31

DOT MATRIX LED DISPLAYS

• Forward current: 10mA

For quantities greater than listed, call for quote.

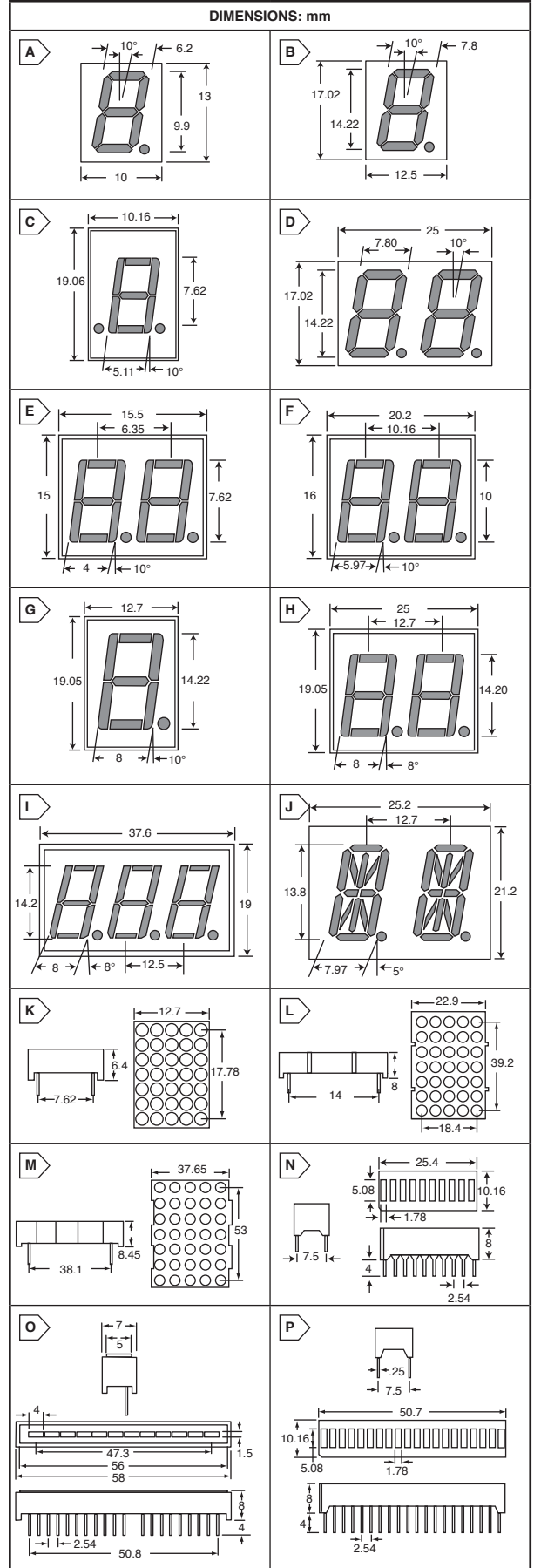
MOUSER STOCK NO.		Fig.	Common Pin	Emitting Color	Peak Wavelength (nm)	Luminous Intensity (ucd)	Price Each				
Mfr.	Mfr. Part No.						Min.	Typ.	1	10	100
18mm											
604	—TA07-11YWA	K	Anode	Yellow	588	1900	4700	4.01	2.80	2.43	1.90
30mm											
604	—TA12-11GWA	L	Anode	Green	568	3000	10500	4.01	2.80	2.43	1.90
604	—TA12-11SRWA	L	Anode	Red	640	8000	24000	4.38	3.05	2.65	2.08
50mm											
604	—TA20-11SRWA	M	Anode	Red	640	12000	26000	5.11	3.56	3.09	2.42

BAR GRAPH ARRAYS

• Forward current: 10mA

For quantities greater than listed, call for quote.

MOUSER STOCK NO.		Fig.	Common Pin	Emitting Color	Peak Wavelength (nm)	Luminous Intensity (ucd)	Price Each				
Mfr.	Mfr. Part No.						Min.	Typ.	1	10	100
604	—DC-10EWA	N	10	Red	625	2200	9000	1.99	1.29	1.14	.752
604	—DC10GWA	N	10	Green	568	3600	14000	1.99	1.29	1.14	.752
604	—DC10YWA	N	10	Yellow	588	2200	9000	1.99	1.29	1.14	.752
604	—DC10SRWA	N	10	Red	640	9000	31000	1.99	1.29	1.14	.752
604	—DD12HWB	O	12	Red	660	900	1400	2.93	1.93	1.55	1.23
604	—DD12GWB	O	12	Green	568	2200	5600	3.20	2.11	1.69	1.34
604	—DC20/20EWA	P	20	Red	625	2200	9000	2.85	1.88	1.50	1.19
604	—DC20/20GWA	P	20	Green	568	3600	9000	2.85	1.88	1.50	1.19
604	—DC20/20SRWA	P	20	Red	640	9000	31000	3.02	1.99	1.59	1.26



.2" NUMERIC DISPLAYS

Single Digit

MOUSER STOCK NO.	Kingbright Part No.	Fig.	Common Pin	Emitting Color	Peak Wavelength (nm)	Luminous Intensity (ucd)		Price Each		
						Min.	Typ.	1	10	100
						For quantities greater than listed, call for quote.				
604-ACSA02-41EWA	ACSA02-41EWA-F01	A	Anode	Red	625	1900	5800	1.94	1.25	1.11
604-ACSA02-41SGWA	ACSA02-41SGWA-F01	A	Anode	Green	568	3000	10000	1.99	1.29	1.14
604-ACSA02-41YWA	ACSA02-41YWA-F01	A	Anode	Yellow	588	800	1900	1.94	1.25	1.11

Dual Digit

MOUSER STOCK NO.	Kingbright Part No.	Fig.	Common Pin	Emitting Color	Peak Wavelength (nm)	Luminous Intensity (ucd)		Price Each		
						Min.	Typ.	1	10	100
						For quantities greater than listed, call for quote.				
604-ACDA02-41EWA	ACDA02-41EWA-F01	B	Anode	Red	625	1900	5800	3.71	2.45	1.96
604-ACDA02-41SGWA	ACDA02-41SGWA-F01	B	Anode	Green	568	3000	10000	3.35	2.21	1.77
604-ACDA02-41YWA	ACDA02-41YWA-F01	B	Anode	Yellow	588	800	1900	3.71	2.45	1.96

.3" NUMERIC DISPLAYS

Single Digit

MOUSER STOCK NO.	Kingbright Part No.	Fig.	Common Pin	Emitting Color	Peak Wavelength (nm)	Luminous Intensity (ucd)		Price Each		
						Min.	Typ.	1	10	100
						For quantities greater than listed, call for quote.				
604-ACSA03-41EWA	ACSA03-41EWA-F01	C	Anode	Red	625	1900	4210	1.83	1.21	.966
604-ACSA03-41SGWA	ACSA03-41SGWA-F01	C	Anode	Green	568	1900	5600	1.99	1.29	1.14
604-ACSA03-41YWA	ACSA03-41YWA-F01	C	Anode	Yellow	588	800	2290	1.83	1.21	.966
604-ACSA03-41PBWA	ACSA03-41PBWA/A-F01	C	Anode	Blue	466	1900	5000	4.38	3.05	2.65

Dual Digit

MOUSER STOCK NO.	Kingbright Part No.	Fig.	Common Pin	Emitting Color	Peak Wavelength (nm)	Luminous Intensity (ucd)		Price Each		
						Min.	Typ.	1	10	100
						For quantities greater than listed, call for quote.				
604-ACDA03-41EWA	ACDA03-41EWA-F01	D	Anode	Red	625	1900	4210	3.71	2.45	1.96
604-ACDA03-41SGWA	ACDA03-41SGWA-F01	D	Anode	Green	568	1900	5600	3.35	2.21	1.77
604-ACDA03-41YWA	ACDA03-41YWA-F01	D	Anode	Yellow	588	800	2290	3.71	2.45	1.96

.4" NUMERIC DISPLAYS

Single Digit

MOUSER STOCK NO.	Kingbright Part No.	Fig.	Common Pin	Emitting Color	Peak Wavelength (nm)	Luminous Intensity (ucd)		Price Each		
						Min.	Typ.	1	10	100
						For quantities greater than listed, call for quote.				
604-ACSA04-41EWA	ACSA04-41EWA-F01	E	Anode	Red	625	1900	5000	1.83	1.21	.966
604-ACSA04-41SGWA	ACSA04-41SGWA-F01	E	Anode	Green	568	3000	7000	1.80	1.19	.95
604-ACSA04-41YWA	ACSA04-41YWA-F01	E	Anode	Yellow	588	800	2500	1.83	1.21	.966
604-ACSA04-41PBWA	ACSA04-41PBWA/aA-F01	E	Anode	Blue	466	1200	3600	4.38	3.05	2.65

Dual Digit

MOUSER STOCK NO.	Kingbright Part No.	Fig.	Common Pin	Emitting Color	Peak Wavelength (nm)	Luminous Intensity (ucd)		Price Each		
						Min.	Typ.	1	10	100
						For quantities greater than listed, call for quote.				
604-ACDA04-41EWA	ACDA04-41EWA-F01	F	Anode	Red	625	1900	5000	3.71	2.45	1.96
604-ACDA04-41SGWA	ACDA04-41SGWA-F01	F	Anode	Green	568	3000	7000	3.69	2.43	1.95
604-ACDA04-41YWA	ACDA04-41YWA-F01	F	Anode	Yellow	588	800	2500	3.71	2.45	1.96

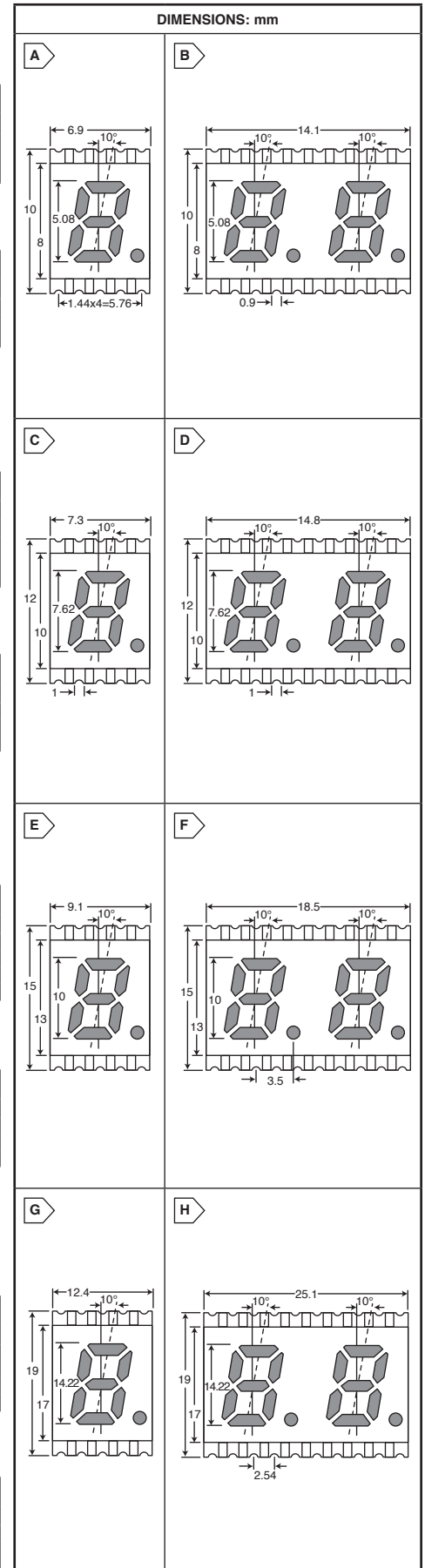
.4" NUMERIC DISPLAYS

Single Digit

MOUSER STOCK NO.	Kingbright Part No.	Fig.	Common Pin	Emitting Color	Peak Wavelength (nm)	Luminous Intensity (ucd)		Price Each		
						Min.	Typ.	1	10	100
						For quantities greater than listed, call for quote.				
604-ACSA56-41EWA	ACSA56-41EWA-F01	G	Anode	Red	625	3000	7400	1.83	1.21	.966
604-ACSA56-41SGWA	ACSA56-41SGWA-F01	G	Anode	Green	568	4700	13200	2.10	1.38	1.11
604-ACSA56-41YWA	ACSA56-41YWA-F01	G	Anode	Yellow	588	1900	5000	1.83	1.21	.966
604-ACSA56-41PBWA	ACSA56-41PBWA/A-F01	G	Anode	Blue	466	1900	5200	5.11	3.56	3.09

Dual Digit

MOUSER STOCK NO.	Kingbright Part No.	Fig.	Common Pin	Emitting Color	Peak Wavelength (nm)	Luminous Intensity (ucd)		Price Each		
						Min.	Typ.	1	10	100
						For quantities greater than listed, call for quote.				
604-ACDA56-41EWA	ACDA56-41EWA-F01	H	Anode	Red	625	3000	7400	3.53	2.46	2.14
604-ACDA56-41SGWA	ACDA56-41SGWA-F01	H	Anode	Green	568	4700	13200	3.57	2.49	2.17
604-ACDA56-41YWA	ACDA56-41YWA-F01	H	Anode	Yellow	588	1900	5000	3.90	2.72	2.36



LITE-ON LED Displays



This page of product is RoHS compliant.

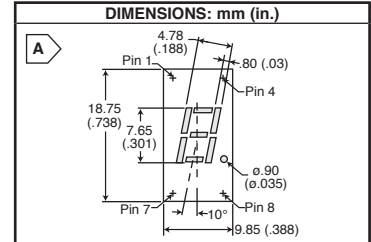
Providing high contrast, high brightness and wide viewing angle, Lite-On LED displays are available in a wide range of sizes, brightness and orientations. Displays can be stacked vertically or horizontally and are designed for numeric indication on applications requiring low current or low power consumption.



.30" SINGLE DIGIT DISPLAYS

For quantities greater than listed, call for quote.

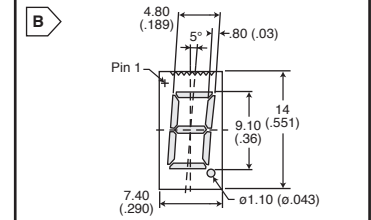
MOUSER STOCK NO.		Fig.	Source Color	Description	Peak Wavelength	Forward Voltage		Luminous Intensity (µcd)	Price Each		
Mfr.	Mfr. Part No.					Typical	Maximum		1	10	100
859	LTS-313AHR	A	Red	Common cathode RHD	635	2	2.6	2000	1.05	.935	.752
859	LTS-315AHR	A	Red	Common cathode RHD	635	2	2.6	2000	1.05	.935	.752
859	LTS-313AG	A	Green	Common cathode RHD	565	2.1	2.6	2000	1.05	.935	.752



.36" SINGLE DIGIT DISPLAYS

For quantities greater than listed, call for quote.

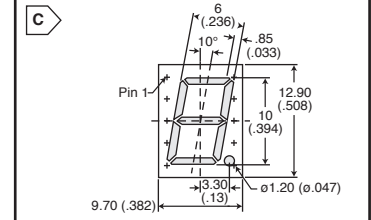
MOUSER STOCK NO.		Fig.	Source Color	Description	Peak Wavelength	Forward Voltage		Luminous Intensity (µcd)	Price Each		
Mfr.	Mfr. Part No.					Typical	Maximum		1	10	100
859	LTS-367P	B	Red	Common cathode RHD	697	2.1	2.6	750	1.05	.935	.752
859	LTS-367HR	B	Red	Common cathode RHD	635	2	2.6	2000	1.05	.935	.752
859	LTS-360E	B	Red-Org	Common anode RHD	630	2	2.6	2000	1.05	.935	.752
859	LTS-360G	B	Green	Common anode RHD	565	2.1	2.6	2000	1.05	.935	.752



.40" SINGLE DIGIT DISPLAYS

For quantities greater than listed, call for quote.

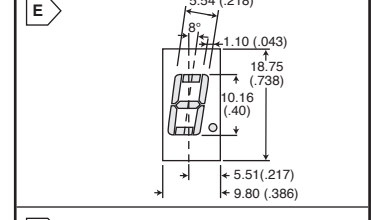
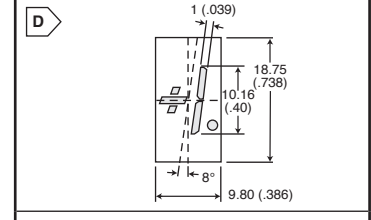
MOUSER STOCK NO.		Fig.	Source Color	Description	Peak Wavelength	Forward Voltage		Luminous Intensity (µcd)	Price Each		
Mfr.	Mfr. Part No.					Typical	Maximum		1	10	100
859	LTS-4301JR	C	Red	Common cathode RHD	639	2	2.6	520	1.02	.912	.728
859	LTS-4801JR	C	Red	Common anode RHD	639	2	2.6	520	1.02	.912	.728
859	LTS-4802BJR-H1	C	Red	Common anode RHD	639	2	2.6	650	.95	.84	.674
859	LTS-4301JS	C	Yellow	Common cathode RHD	588	2.05	2.6	650	1.02	.912	.728
859	LTS-4802BJS-H1	C	Yellow	Common anode RHD	588	2.05	2.6	650	.95	.84	.674
859	LTS-4301JG	C	Green	Common cathode RHD	571	2.05	2.6	850	1.02	.912	.728
859	LTS-4801JG	C	Green	Common anode RHD	571	2.05	2.6	870	1.02	.912	.728
859	LTS-4530AP	D	Green	Common anode RHD	565	2.1	2.6	2200	1.44	1.29	1.02
859	LTS-4710AP	E	Red	Common cathode RHD	697	2.1	2.6	800	1.23	1.10	.876
859	LTS-4910AHR	E	Red	Common anode RHD	635	2	2.6	2200	.91	.815	.648
859	LTS-4940AHR	E	Red	Common cathode RHD	635	2	2.6	2200	.91	.815	.648
859	LTS-4610AE	E	Red-Org	Common anode RHD	630	2	2.6	2200	1.23	1.10	.876
859	LTS-4810AY	E	Yellow	Common anode RHD	585	2.1	2.6	2200	.98	.875	.70
859	LTS-4540AG	E	Green	Common cathode RHD	565	2.1	2.6	2200	1.23	1.10	.876
859	LTS-4580AG	E	Green	Common cathode RHD	565	2.1	2.6	2200	1.23	1.10	.876



.52" SINGLE DIGIT DISPLAYS

For quantities greater than listed, call for quote.

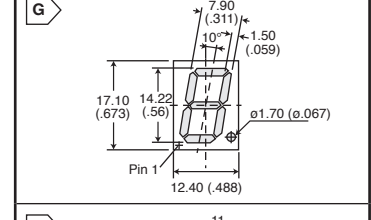
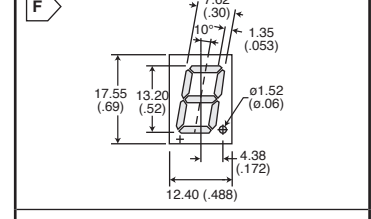
MOUSER STOCK NO.		Fig.	Source Color	Description	Peak Wavelength	Forward Voltage		Luminous Intensity (µcd)	Price Each		
Mfr.	Mfr. Part No.					Typical	Maximum		1	10	100
859	LTS-546AHR	F	Red	Common anode RHD	635	2	2.6	2200	1.26	1.13	.902
859	LTS-546AY	F	Yellow	Common anode RHD	585	2.1	2.6	2200	1.33	1.19	.953



.56" SINGLE DIGIT DISPLAYS

For quantities greater than listed, call for quote.

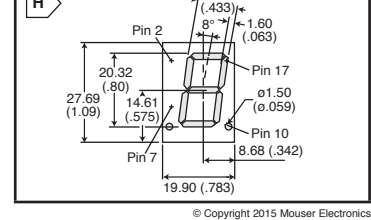
MOUSER STOCK NO.		Fig.	Source Color	Description	Peak Wavelength	Forward Voltage		Luminous Intensity (µcd)	Price Each		
Mfr.	Mfr. Part No.					Typical	Maximum		1	10	100
859	LTS-6760P	G	Red	Common anode RHD	697	2.1	2.6	950	1.23	1.10	.876
859	LTS-5001AWC	G	Red	Common anode RHD	660	1.6	2.4	700	1.23	1.10	.876
859	LTS-5003AWC	G	Red	Common cathode RHD	660	1.6	2.4	700	1.23	1.10	.876
859	LTS-5001AJD	G	Red	Common anode RHD	650	2.1	2.6	700	1.23	1.10	.876
859	LTS-6760JD	G	Red	Common anode RHD	650	2.1	2.6	700	2.28	2.03	1.63
859	LTS-6780JD	G	Red	Common cathode RHD	650	2.1	2.6	700	2.28	2.03	1.63
859	LTS-6960HR	G	Red	Common anode RHD	635	2.0	2.6	2400	1.23	1.10	.876
859	LTS-6980HR	G	Red	Common cathode RHD	635	2.0	2.6	2400	1.23	1.10	.876
859	LTS-5501AE	G	Red-Org	Common anode RHD	630	2.0	2.6	2400	1.23	1.10	.876
859	LTS-5503AE	G	Red-Org	Common cathode RHD	630	2.0	2.6	2400	1.23	1.10	.876
859	LTS-6660E	G	Red-Org	Common anode RHD	630	2.0	2.6	2400	1.23	1.10	.876
859	LTS-6680E	G	Red-Org	Common cathode RHD	630	2.0	2.6	2400	1.23	1.10	.876
859	LTS-5703AJS	G	Yellow	Common cathode RHD	588	2.1	2.6	700	2.28	2.03	1.63
859	LTS-5703AY	G	Yellow	Common cathode RHD	585	2.1	2.6	2400	1.23	1.10	.876
859	LTS-5603AJG	G	Green	Common cathode RHD	571	2.1	2.6	900	2.28	2.03	1.63
859	LTS-5601AG	G	Green	Common anode RHD	565	2.1	2.6	2400	1.23	1.10	.876
859	LTS-6460G	G	Green	Common anode RHD	565	2.1	2.6	2400	1.23	1.10	.876
859	LTS-6480G	G	Green	Common cathode RHD	565	2.1	2.6	2400	1.23	1.10	.876



.80" SINGLE DIGIT DISPLAYS

For quantities greater than listed, call for quote.

MOUSER STOCK NO.		Fig.	Source Color	Description	Peak Wavelength	Forward Voltage		Luminous Intensity (µcd)	Price Each		
Mfr.	Mfr. Part No.					Typical	Maximum		1	10	100
859	LTS-3401LP	H	Red	Common anode RLD	697	2.1	2.6	950	2.28	2.03	1.63
859	LTS-3401LG	H	Green	Common anode RLD	565	2.1	2.6	2400	1.75	1.57	1.25
859	LTS-3403LG	H	Green	Common cathode RLD	565	2.1	2.6	2400	1.75	1.57	1.25



Drivers and Power Supplies



This page of product is RoHS compliant.

CIRRUS LOGIC LED LIGHTING DRIVERS AND TOOL

Opto Drivers

Drivers

For quantities greater than listed, call for quote.

MOUSER STOCK NO.	Cirrus Part No.	Package	LED Type	Driver Type	Input Volt. (VDC)	Output Volt. (V)	Output Current (mA)	Dimming Type	Output Efficiency (%)	Configuration	Price Each		
											1	10	100
777-CS1615-FSZ	CS1615-FSZ	SOIC-16	Universal	Boost/Buck	11-17	120	5	Analog	90	Series/Parallel	4.28	3.44	3.14
777-CS1615-FZZ	CS1615-FZZ	TSSOP-16	Universal	Boost/Buck	11-17	120	5	Analog	90	Series/Parallel	4.28	3.44	3.14
777-CS1616A-FSZ	CS1616A-FSZ	SOIC-16	Universal	Buck/Boost	11-17	230	4.5	Digital	90	Series/Parallel	4.28	3.44	3.14
777-CS1616-FSZ	CS1616-FSZ	SOIC-16	Universal	Boost/Buck	11-17	230	5	Analog	90	Series/Parallel	4.28	3.44	3.14
777-CS1616-FZZ	CS1616-FZZ	TSSOP-16	Universal	Boost/Buck	11-17	230	5	Analog	90	Series/Parallel	4.28	3.44	3.14
777-CS1631-FSZ	CS1631-FSZ	SOICN-16	Universal	Boost/Buck	114-126	230	5	PWM/Linear	>85	Series/Parallel	5.64	4.53	4.13

Development Tool

For quantities greater than listed, call for quote.

MOUSER STOCK NO.	Cirrus Part No.	Description	Price Each
777-CRD1615A-8W-Z	CRD1615A-8W-Z	Reference Design for use with CS1615, EXL Core	136.00

EXAR LED DRIVERS AND TOOLS

Drivers

For quantities greater than listed, call for quote.

MOUSER STOCK NO.	Exar Part No.	Package	LED Type	Driver Type	Input Volt. (VDC)	Output Volt. (V)	Output Current (mA)	Dimming Type	Number of LEDs	Output Efficiency (%)	Configuration	Price Each		
												1	10	100
701-XRP6840AIBL-F	XRP6840AIBL-F	TQFN-20	Flash	Charge Pump	2.7 - 5.5	5.3	1450	-	3	90+	Parallel	3.16	2.57	2.34
701-XRP6840BIBL-F	XRP6840BIBL-F	TQFN-20	Flash	Charge Pump	2.7 - 5.5	5.3	1450	-	2	90+	Parallel	3.16	2.57	2.34
701-XRP7613IDBTR-F	XRP7613IDBTR-F	SOIC-8	Universal	Linear	7.0 - 36.0	1.25	1200	PWM, Analog	3	93	Parallel	2.21	1.81	1.44
701-XRP7618IGBTR-F	XRP7618IGBTR-F	TSSOP-20	Universal	Current Driver	4.2 - 5.5	30	100p/ch	PWM, Analog	8	-	Parallel	1.89	1.54	1.23

Development Tools

For quantities greater than listed, call for quote.

MOUSER STOCK NO.	Exar Part No.	Description	Price Each
701-XRP7613EVB	XRP7613EVB	XRP7613 7V to 36V Evaluation Board	31.25
701-XRP7618EVB	XRP7618EVB	XRP7618 8-Channel Evaluation Board	31.25

FAIRCHILD LED DRIVERS

For quantities greater than listed, call for quote.

MOUSER STOCK NO.	Fairchild Part No.	Package	LED Type	Driver Type	Input Volt. (VDC)	Output Volt. (V)	Output Current (mA)	Dimming Type	Number of LEDs	Output Efficiency (%)	Configuration	Price Each		
												1	10	100
512-FAN5646S700X	FAN5646S700X	SC70-5	Universal	Blinker	2.7 - 5	-	20	Digital	1	-	-	.96	.743	.48
512-FAN5646S701X	FAN5646S701X	SC70-5	Universal	Blinker	2.7 - 5	-	20	Digital	1	-	-	.96	.743	.48
512-FAN5646UC00X	FAN5646UC00X	WL-CSP	Universal	Blinker	2.7 - 5	-	20	Digital	1	-	-	.96	.743	.48

INFINEON LED DRIVERS AND ACTIVE BIAS CONTROLLERS

For quantities greater than listed, call for quote.

MOUSER STOCK NO.	Infineon Part No.	Package	LED Type	Driver Type	Input Voltage (VDC)	Output Voltage (V)	Output Current (mA)	Dimming Type	Configuration	Price Each		
										1	10	100
726-BCR320UE6327XT	BCR320UE6327XT	SC-74-6	Universal	Linear	4.5 - 25	16	300	-	-	.73	.566	.366
726-BCR321UE6327XT	BCR321UE6327XT	SC-74-6	Universal	Linear	4.5 - 25	16	300	PWM	-	.73	.566	.366
726-BCR401RE6327	BCR401RE6327	SOT-143-4	Universal	Current	18 Max.	Linear	10 - 60	-	Series	.57	.379	.215
726-BCR402UE6327	BCR402UE6327	SC-74-6	Universal	Current	18 Max.	Linear	10 - 60	-	Series	.57	.402	.256
726-BCR405UE6327	BCR405UE6327	SC-74-6	Universal	Current	40 Max.	Linear	10 - 65	-	Series	.57	.402	.256
726-BCR420UE6327XT	BCR420UE6327XT	SC-74-6	Universal	Linear	4.5 - 40	38	200	-	Parallel	.73	.566	.366
726-BCR421UE6327XT	BCR421UE6327XT	SC-74-6	Universal	Linear	4.5 - 40	38	200	PWM	Parallel	.73	.566	.366
726-ILD4001E6327XT	ILD4001E6327XT	SC-74-6	Universal	Buck	40 Max.	-	200	PWM, Analog	-	1.26	.998	.732
726-ILD4035E6327XT	ILD4035E6327XT	SC-74-6	Universal	Buck	4.5 - 42	-	500	PWM, Analog	-	1.26	.998	.732

NXP SEMICONDUCTOR LED DRIVERS

For quantities greater than listed, call for quote.

MOUSER STOCK NO.	NXP Part No.	Package	LED Type	Input Volt. (VDC)	Output Volt. (V)	Output Current (mA)	Dimming Type	No. of LEDs	Output Efficiency (%)	Configuration	Price Each		
											1	10	100
771-PCA9952TWQ900118	PCA9952TW/Q900,118	HTSSOP-28	RBGA	5.5	-	57.5	PWM	16	99.6	Series	3.07	2.47	2.25
771-PCA9622DR,118	PCA9622DR,118	TSSOP-32	Universal	2.3 - 5.5	40	100	PWM	16	-	Series/Parallel	2.79	2.25	2.05
771-PCA9922PW,118	PCA9922PW,118	TSSOP-16	Universal	2.3 - 5.5	40	Adj.	-	8	-	Series/Parallel	1.21	.972	.753

OMRON LED DRIVERS

For quantities greater than listed, call for quote.

MOUSER STOCK NO.	Omron Part No.	Package	LED Type	Driver Type	Input Voltage (V)	Output Current (mA)	Number of LEDs	Dimming Type	Price Each		
									1	50	100
653-W2RF002RF	W2RF002RF	QFP-48	Universal	Linear	3.0-5.5	50	24	PWM	5.11	4.09	3.91
653-W2RF004RM	W2RF004RM	SOP-28	Universal	Linear	3.0-5.5	50	9	PWM	2.94	2.35	2.24
653-W2RV005RM	W2RV005RM	SOP-8	Universal	Linear	4.5-20	50	3	-	1.24	.99	.95

MAXIM INTEGRATED Laser and LED Drivers



Opto Drivers

Maxim Integrated

LASER DRIVER TRANSMITTER

◆ Surface Mount Device

For quantities greater than listed, call for quote.

MOUSER STOCK NO.	Maxim Integrated Part No.	Package	Supply Range (V) (Max.)	Icc (mA) (Max)	Data Rate (Max) (Mbps)	Operating Range (Gbps)	Power Dissipation (Max) (mW)	Operating Temperature (°C)	Applications	Price Each			
										1	25	100	500
◆ 700-MAX24001TL+	MAX24001TL+	TQFN-40	3.3	136	2488	125 to 2.5	2857.1	-40 to 95	FTTx	8.08	7.45	7.34	7.18

LED DISPLAY DRIVERS

◆ Surface Mount Device

For quantities greater than listed, call for quote.

MOUSER STOCK NO.	Maxim Integrated Part No.	Package	Digits or Characters	Output Format	Display Type	Interface	Fonts	Segment Blinking	Supply Voltage (Min/Max)(V)	Price Each		
										1	25	100
◆ 700-MAX6954AAX	MAX6954AAX+	SSOP-36	-	7/14/16-Seg	Comm Cath	Serial SPI	ASCII/Hex	Yes	2.7/5.5	23.72	15.98	11.58
◆ 700-ICM7217BIPI	ICM7217BIPI+	PDIP-28	4-Digit	7-Seg	Common Anode	-	Code B	-	4.5/6	10.64	9.85	9.29
◆ 700-ICM7212AMIPL	ICM7212AMIPL+	PDIP-40W	4-Digit	7-Seg	Static	Micro	Code B	No	3/6	6.45	4.34	3.10
◆ 700-MAX6958BAEE	MAX6958BAEE+	QSOP-16	4-Digit	7-Seg + 2 ann	Common Cathode	Serial SPI	Hex	No	3/5.5	10.30	6.94	5.03
◆ 700-ICM7218AIP	ICM7218AIP+	PDIP-40W	8-Digit	7-Seg+DP	Comm Anode	Micro	Code B/Hex	No	4/6	11.82	7.96	5.77
◆ 700-MAX7219CNG	MAX7219CNG+	PDIP-24	8-Digit	7-Seg+DP	Comm Cath	Serial 3-Wire	Code B	-	4.0/5.5	10.90	7.34	5.32
◆ 700-MAX7219CWG	MAX7219CWG+	SOIC-24W	8-Digit	7-Seg+DP	Comm Cath	Serial 3-Wire	Code B	-	4.0/5.5	10.90	7.34	5.32
◆ 700-MAX7219CWGT	MAX7219CWGT	SOICW-24	8-Digit	7-Seg+DP	Common Cathode	Serial 3-Wire	Code B	-	4/5.5	9.97	7.63	6.68
◆ 700-MAX7219ENG	MAX7219ENG+	PDIP-24	8-Digit	7-Seg+DP	Comm Cath	Serial 3-Wire	Code B	-	4.0/5.5	14.13	9.52	6.90
◆ 700-MAX6951CEE	MAX6951CEE+	QSOP-16	8-Digit	7-Seg+DP	Comm Cath	Serial SPI	Hexadecimal	Yes	2.7/5.5	12.13	8.44	6.11
◆ 700-MAX6951EEE	MAX6951EEE+	QSOP-16	8-Digit	7-Seg+DP	Comm Cath	Serial SPI	Hexadecimal	Yes	2.7/5.5	15.88	10.70	7.75
◆ 700-MAX7221CNG	MAX7221CNG+	PDIP-24	8-Digit	7-Seg+DP	Comm Cath	Serial SPI	Code B	-	4.0/5.5	10.90	7.34	5.28
◆ 700-MAX7221CWG	MAX7221CWG+	SOIC-24W	8-Digit	7-Seg+DP	Comm Cath	Serial SPI	Code B	-	4.0/5.5	10.90	7.34	5.32
◆ 700-MAX7221EWG	MAX7221EWG+	SOIC-24W	8-Digit	7-Seg+DP	Comm Cath	Serial SPI	Code B	-	4.0/5.5	16.99	11.44	8.29
◆ 700-MAX6955AAX	MAX6955AAX+	SSOP-36	8/16-Digit	7/14/16-Seg	Comm Cath	Serial 2-Wire	ASCII/Hex	Yes	2.7/5.5	23.72	15.98	11.58
◆ 700-MAX6965ATE	MAX6965ATE+	TQFN-16	9-Digit	Any Digit Type	Common Anode	Serial 2-Wire	-	Yes	2/3.6	4.31	3.90	2.08
◆ 700-MAX6966AEE	MAX6966AEE+	QSOP-16	10-Digit	Any Digit Type	Common Anode	Serial 2-Wire	-	No	2.25/3.6	4.93	3.23	2.37
◆ 700-MAX6966ATE	MAX6966ATE+	TQFN-16	10-Digit	Any Digit Type	Common Anode	Serial 2-Wire	-	No	2.25/3.6	4.45	3.00	2.15
◆ 700-MAX6971AUG	MAX6971AUG+	TSSOP-24	16-Digit	Any Digit Type	Common Anode	Serial 4-Wire	-	No	3/5.5	5.41	3.64	2.60
◆ 700-MAX6969AWG	MAX6969AWG+	SOIC-24W	16-Digit	Any Digit Type	Comm Anode	Serial 4-Wire	-	No	3.0/5.5	4.75	3.20	2.29
◆ 700-MAX6969AUG	MAX6969AUG+	TSSOP-24	16-Digit	Any Digit Type	Common Anode	Serial 4-Wire	-	No	3/5.5	4.75	3.20	2.29
◆ 700-MAX6971ANG	MAX6971ANG+	NFDIP-24	16-Digit	Any Digit Type	Common Anode	Serial 4-Wire	-	No	3/5.5	5.20	3.50	2.53
◆ 700-MAX6954ATL	MAX6954ATL+	TQFN-EP-40	16-Digit	7-Seg	Common Cathode	Serial SPI	ASCII/Hex	Yes	2.7/5.5	24.49	19.35	11.84
◆ 700-MAX6964AEG	MAX6964AEG+	QSOP-24	17-Digit	Any Digit Type	Common Anode	Serial 2-Wire	-	Yes	2/3.6	4.84	3.23	2.36
◆ 700-MAX6964ATG	MAX6964ATG+	TQFN-24	17-Digit	Any Digit Type	Common Anode	Serial 2-Wire	-	Yes	2/3.6	4.03	4.06	2.94
◆ 700-MAX6956AAI	MAX6956AAI+	SSOP-28	28-Digit	Any Digit Type	Comm Anode	Serial 2-Wire	-	-	2.7/5.5	8.05	5.42	3.91
◆ 700-MAX6957AAI	MAX6957AAI+	SSOP-28	28-Digit	Any Digit Type	Comm Anode	Serial 2-Wire	-	-	2.7/5.5	8.05	5.42	3.87
◆ 700-MAX6956ATL	MAX6956ATL+	QFN-EP-40	28-Digit	Any Digit Type	Common Anode	Serial SPI	-	-	2.5/5.5	10.30	6.94	5.00
◆ 700-MAX6957ANI	MAX6957ANI+	DIP-28	28-Digit	Any Digit Type	Common Anode	Serial SPI	ASCII/Hex	-	2.5/5.5	8.32	5.55	4.27

8X8 MATRIX COLOR LED DISPLAY DRIVERS

◆ Surface Mount Device

For quantities greater than listed, call for quote.

MOUSER STOCK NO.	Maxim Integrated Part No.	Package	Display Type	Intensity Control	Interface	Shutdown Supply Current (A) (typ.)	Operating Supply Current (A) (typ.)	Supply Voltage (V)	Temperature Range (°C)	Price Each		
										1	25	100
◆ 700-MAX6960AMHD	MAX6960AMH+D	MQFP-44	RGY, RGB, Monocolor	2 or 4 Step	3-wire, 4 wire	250	7.5	2.7-3.6	-40 to 125	26.93	18.14	13.15
◆ 700-MAX6960ATH	MAX6960ATH+	TQFN-EP-44	RGY, RGB, Monocolor	2 or 4 Step	3-wire, 4 wire	250	7.5	2.7-3.6	-40 to 125	17.07	11.50	8.23
◆ 700-MAX6962ATH	MAX6962ATH+	TQFN-EP-44	RGY, RGB, Monocolor	2 or 4 Step	3-wire, 4 wire	250	7.5	2.7-3.6	-40 to 125	17.82	12.67	7.84

LED DRIVERS

◆ Surface Mount Device

For quantities greater than listed, call for quote.

MOUSER STOCK NO.	Maxim Integrated Part No.	Package	LED Type	Driver Type	Device Vin (Min/Max) (V)	LED Chan.	Iled per Channel (Max)(A)	LED String Voltage (Max)(V)	Dimming Type	Price Each		
										1	25	100
◆ 700-MAX16840ATB+T	MAX16840ATB+T	TDFN-EP-10	High Brightness	Boost/SEPIC, Buck-Boost	6.5/40	1	1	48	Analog	7.28	5.57	4.87
◆ 700-MAX16833BAUE+	MAX16833BAUE+	TSSOP-EP-16	High Brightness	Boost, SEPIC, Boost-Buck	65/5	1	10	65	PWM, Serial Pulse	6.56	4.54	3.17
◆ 700-MAX6970AUE+	MAX6970AUE+	TSSOP-EP-16	Universal	-	3/5.5	8	0.055	36	PWM	5.59	3.76	2.69
◆ 700-MAX6946ATE	MAX6946ATE+	TQFN-EP-16	Universal	-	2.25/3.6	10	0.02	-	PWM	4.50	3.20	1.98
◆ 700-MAX16821BATI	MAX16821BATI+	TQFN-EP-28	Universal	Boost, SEPIC, Boost-Buck	4.75/28	1	30	30	PWM	7.66	5.36	3.73
◆ 700-MAX16821CATI	MAX16821CATI+	TQFN-EP-28	Universal	Boost, SEPIC, Boost-Buck	4.75/28	1	30	100	PWM	7.74	5.36	3.60
◆ 700-MAX16814AUP+	MAX16814AUP+	TSSOP-EP-20	Universal	Boost, SEPIC, Boost-Buck	4.75/40	4	0.15	-	PWM	4.14	2.89	1.96
◆ 700-MAX16834ATP+	MAX16834ATP+	TQFN-EP-20	Universal	Boost, SEPIC, Boost-Buck, Flyback	4.75/28	1	10	250	PWM	6.53	4.56	3.08
◆ 700-MAX16802AEUA	MAX16802AEUA+	μMAX-8	Universal	Boost/SEPIC	10.8/24	1	3	250	PWM	2.93	2.05	1.39
◆ 700-MAX16802BEUA	MAX16802BEUA+	μMAX-8	Universal	Boost/SEPIC	10.8/24	1	3	250	PWM	2.93	2.05	1.39
◆ 700-MAX16818ATI	MAX16818ATI+	TQFN-28	Universal	Boost/SEPIC	7/28	1	30	100	PWM	7.04	4.87	3.28
◆ 700-MAX16818ETI	MAX16818ETI+	TQFN-28	Universal	Boost/SEPIC	7/28	1	30	100	PWM	7.04	4.87	3.28
◆ 700-MAX16819ATTT	MAX16819ATTT+	TDFN-EP-6	Universal	Buck	4.5/28	1	3	26	PWM	2.69	2.06	1.80
◆ 700-MAX16820ATTT	MAX16820ATTT+	TDFN-EP-6	Universal	Buck	4.5/28	1	3	26	PWM	2.69	2.06	1.80
◆ 700-MAX16822AASA	MAX16822AASA+	SO-8	Universal	Buck	6.5/65	1	0.35	63	PWM	3.58	2.51	1.70
◆ 700-MAX16832AASA	MAX16832AASA+	SO-8	Universal	Buck	6.5/65	1	0.7	63	PWM	6.30	4.40	2.96
◆ 700-MAX16832CASA	MAX16832CASA+	SO-EP-8	Universal	Buck	6.5/65	1	0.7	63	PWM	5.76	4.03	2.72
◆ 700-MAX6974ATL	MAX6974ATL+	TQFN-40	Universal	Current	3.0/3.6	24	0.03	-	PWM	28.83	20.50	12.54
◆ 700-MAX6975ATL	MAX6975ATL+	TQFN-40	Universal	Current	3.0/3.6	24	0.03	-	PWM	28.83	20.50	12.54
◆ 700-MAX16803ATE+	MAX16803ATE+	TQFN-16	Universal	Linear	6.5/40	1	0.35	38.6	PWM	7.01	4.90	3.30
◆ 700-MAX16805ATP	MAX16805ATP+	TQFN-20	Universal	Linear	6.5/40	1	0.35	38.6	PWM	5.96	3.72	3.02
◆ 700-MAX16836ATE	MAX16836ATE+	TQFN-EP-16	Universal	Linear	6.5/40	1	0.35	38.6	PWM	3.44	2.40	1.63
◆ 700-MAX16839ASA	MAX16839ASA+	TDFN-EP-6	Universal	Linear	5/40	1	0.1	39.1	PWM	2.11	1.46	.97
◆ 700-MAX16823ATE+	MAX16823ATE+	TQFN-16	Universal	Linear	5.5/40	3	0.1	39.1	PWM	4.72	3.30	2.20
◆ 700-MAX16823AUE	MAX16823AUE+	TSSOP-16	Universal	Linear	5.5/40	3	0.1	39.1	PWM	4.51	3.04	2.18
◆ 700-MAX8647ETE+	MAX8647ETE+	TQFN-16	White	Charge Pump	2.7/5.5	6	0.024	-	I2C Serial	5.47	3.68	2.66
◆ 700-MAX8648ETE	MAX8648ETE+	TQFN-16	White	Charge Pump	2.7/5.5	6	0.024	-	Serial Pulse	4.80	3.42	2.11
◆ 700-MAX1698EUB	MAX1698EUB+	μMAX-10	White	Inductor	2.7/5.5	50	0.35	-	Analog	3.65	2.46	1.76

LCD BACKLIGHT LED DRIVERS

◆ Surface Mount Device

For quantities greater than listed, call for quote.

MOUSER STOCK NO.	Maxim Integrated Part No.	Package	Topology	Max. No. of LEDs	Configuration	Dimming Control	P _{OUT} (W)	I _{LED} Max (mA)	V _{IN} Max/Min (V)	Price Each		
										1	25	100
◆ 700-MAX1570ETE+	MAX1570ETE+	TQFN-16	Charge Pump	5	Parallel	Analog, PWM	0.7	30	2.7/5.5	5.01	3.34	2.39
◆ 700-MAX8901AETAT	MAX8901AETAT+	TDFN-EP-8	Inductor Based	6	Series	PWM, Serial Pulse	0.6	25	2.6/5.5	3.14	2.41	2.11
◆ 700-MAX8901BETAT	MAX8901BETAT+	TDFN-EP-8	Inductor Based	6	Series	PWM, Serial Pulse	0.6	25	2.6/5.5	3.54	3.33	1.71
◆ 700-MAX8831EWET	MAX8831EWET+	WLP-16	Inductor Based	45	Series-Parallel	Digital, I2C Serial	5	25	2.7/5.5	3.63	2.74	2.40
◆ 700-MAX1698AEB	MAX1698AEB+	10μMAX	Inductor Based	50	Series-Parallel	Analog	5	350	2.7/5.5	3.65	2.46	1.76

ON SEMICONDUCTOR LED Drivers

RoHS Compliant This page of product is RoHS compliant.

ON Semiconductor®



LED DRIVERS

Opto Drivers

Catalyst

MOUSER STOCK NO.	ON Semiconductor Part No.	Package	V _{CC} (V)		ID Max. (mA)	Switching Freq. (MHz)	Dimming	Mode	Price Each			
			Min.	Max.					1	10	100	1000
863-NCL30002DR2G	NCL30002DR2G	SOIC-8	-	20	20	0.25	PWM	Buck	1.70	1.37	1.10	.797
863-NSI45020T1G	NSI45020T1G	SOD-123	-	45	20	-	PWM	Constant Current	.50	.331	.185	.139
863-NSI45025AT1G	NSI45025AT1G	SOD-123-2	-	45	25	-	PWM	Charge Pump	.57	.378	.211	.158
863-NSI45025AZT1G	NSI45025AZT1G	SOT-223	-	45	25	-	PWM	Charge Pump	.63	.462	.29	.224
863-NSI45025T1G	NSI45025T1G	SOD-123	-	45	25	-	PWM	Constant Current	.50	.331	.185	.139
863-NSI45030AT1G	NSI45030AT1G	SOD-123-2	-	45	30	-	PWM	Charge Pump	.57	.378	.211	.158
863-NSI45030AZT1G	NSI45030AZT1G	SOT-223	-	45	30	-	PWM	Charge Pump	.63	.462	.29	.224
863-NSI50010YT1G	NSI50010YT1G	SOD-123	-	50	10	-	PWM	Linear	.50	.331	.185	.139
863-NSI50150ADT4G	NSI50150ADT4G	DPAK	-	50	-	0.1	PWM	Constant Current	.92	.716	.462	.37
863-NSIC2020JBT3G	NSIC2020JBT3G	SMB-2	-	120	20	10	PWM	Constant Current	.65	.479	.301	.233
863-NSIC2030JBT3G	NSIC2030JBT3G	SMB-2	-	120	30	10	PWM	Constant Current	.65	.479	.301	.233
863-NSIC2050JBT3G	NSIC2050JBT3G	SMB-2	-	120	50	10	PWM	Constant Current	.65	.479	.301	.233
863-CAT3661HV3-GT2	CAT3661HV3-GT2	TQFN-16	2	5.5	6	100	-	Charge Pump	2.01	1.63	1.30	.942
863-CAT3649HV3-GT2	CAT3649HV3-GT2	TQFN-16	2.4	5.5	25	1	PWM, Analog	Charge Pump	1.55	1.25	1.00	.725
863-CAT4003BTD-GT3	CAT4003BTD-GT3	TSOT-23-6	2.4	5.5	75	-	PWM, Analog	Constant Current	.88	.70	.538	.375
863-CAT4004AHU2-GT3	CAT4004AHU2-GT3	UDFN-8	2.4	5.5	40	-	PWM, Analog	Constant Current	1.05	.84	.645	.45
863-LV52205MUTBG	LV52205MUTBG	WDFN-6	2.7	5.5	-	0.6	PWM	Boost	.96	.744	.48	.384
863-NCP5005SNT1G	NCP5005SNT1G	SOT-23	2.7	5.5	50	1	PWM	Boost	1.05	.84	.645	.45
863-NCP5007SNT1G	NCP5007SNT1G	SOT-23-5	2.7	5.5	50	1	PWM	Boost	1.05	.84	.645	.45
863-NCP5623DTR2G	NCP5623DTR2G	TSSOP-14	2.7	5.5	0.35	1.2	PWM	-	1.58	1.26	.968	.675
698-CAT4237TD-GT3	CAT4237TD-GT3	TSOT-23-5	2.8	5.5	40	1.3	PWM	Boost	1.40	1.12	.86	.60
863-CAT3604AHV4-T2	CAT3604AHV4-T2	TQFN-16	3	5.5	30	1	PWM, Analog	Charge Pump	2.42	1.95	1.56	1.13
863-CAT3626HV4-GT2	CAT3626HV4-GT2	TQFN-16	3	5.5	3.5	1.3	PWM	Charge Pump	1.67	1.35	1.08	.783
698-CAT4008Y-T2	CAT4008Y-T2	TSSOP-16	3	5.5	150	25	PWM	Linear	1.55	1.25	1.00	.725
698-CAT4016HV6-GT2	CAT4016HV6-GT2	TQFN-24	3	5.5	150	25	PWM	Linear	1.80	1.45	1.16	.841
698-CAT4016W	CAT4016W	SOIC-24	3	5.5	150	25	PWM	Constant Current	1.80	1.45	1.16	.841
698-CAT4016Y	CAT4016Y	TSSOP-24	3	5.5	150	25	PWM	Constant Current	1.80	1.45	1.16	.841
698-CAT4101TV-T75	CAT4101TV-T75	TO-263-5	3	5.5	1000	-	PWM	Constant Current	2.98	2.40	1.92	-
863-CAT4104V-GT3	CAT4104V-GT3	SOIC-8	3	5.5	700	-	PWM	Linear	1.72	1.37	1.05	.735
863-CAT4104VP2-GT3	CAT4104VP2-GT3	TDFN-8	3	5.5	700	-	PWM	Linear	1.72	1.37	1.05	.735
863-CAT4106HV4-GT2	CAT4106HV4-GT2	TQFN-16	3	5.5	-	1.3	PWM	Boost	2.98	2.39	2.18	1.49
863-CAT4106YP-T2	CAT4106YP-T2	TSSOP-16	3	5.5	-	1.3	PWM	Boost	2.98	2.39	2.18	1.49
698-CAT4109V-GT2	CAT4109V-GT2	SOIC-16	3	5.5	200	-	PWM	Constant Current	2.01	1.63	1.30	.942
863-NCL30080BSNT1G	NCL30080BSNT1G	TSOP-6	3.5	5.5	-	0.065	-	Constant Current	.88	.70	.538	.375
863-CAT4026V-T1	CAT4026V-T1	SOIC-28W	4.5	5.5	-	-	PWM, Analog	Constant Current	2.79	2.25	1.80	1.31
863-NCV7680PWR2G	NCV7680PWR2G	SOIC-16	6	45	750	2.1	PWM	Boost	2.47	2.00	1.60	1.16
863-NSI45015WT1G	NSI45015WT1G	SOD-123	6	45	18	-	PWM	Linear	.50	.331	.185	.139
863-NSI45020AT1G	NSI45020AT1G	SOD-123-2	6	45	18	-	PWM	Charge Pump	.57	.378	.211	.158
863-NCL30160DR2G	NCL30160DR2G	SOIC-8	6.3	40	1	1.4	PWM	Constant Current	.87	.70	.538	.375
863-NCL30100SNT1G	NCL30100SNT1G	TSOP-6	6.35	18	-	0.7	PWM	Buck/Boost	1.55	1.25	1.00	.725
863-NCL30000DR2G	NCL30000DR2G	SOIC-8	10.2	20	2	70	PWM	Flyback/Buck	1.55	1.25	1.00	.725
863-NCL30001DR2G	NCL30001DR2G	SOIC-8	14.3	16.3	1.2	0.11	PWM	Flyback	2.94	2.36	2.15	1.47
863-NCL30082ADMR2G	NCL30082ADMR2G	Micro-8	16	18	1.2	0.65	PWM	Linear	1.08	.868	.667	.465
863-NCL30081BSNT1G	NCL30081BSNT1G	TSOP-6	16	20	-	0.065	PWM	Constant Current	.98	.784	.602	.42
863-NCL30082B1DMR2G	NCL30082B1DMR2G	Micro-8	16	20	-	0.065	PWM	Constant Current	1.08	.868	.667	.465
863-NCL30082BDMR2G	NCL30082BDMR2G	Micro-8	16	20	-	0.065	PWM	Constant Current	1.08	.868	.667	.465
863-NCL30083BDMR2G	NCL30083BDMR2G	Micro-8	16	20	-	0.065	PWM	Constant Current	1.09	.868	.667	.465

CHARGE PUMP/PARALLEL CONFIGURATION

Fractional charge pumps with regulated output current

For quantities greater than listed, call for quote.

MOUSER STOCK NO.	Package Type	Input Voltage	LEDs	Total Output Current (Max.)(mA)	Reset Control	Pump Modes	Dimming Interface	Junction Temperature Range (°C)	Price Each			
									1	10	100	1000
698—CAT3224HV3-GT2	TQFN-16	2.5 - 5.0	4	200mA	Yes	-	-	-40 to +150	3.01	2.43	1.94	1.41

QUAD-MODE™ CHARGE PUMP/PARALLEL CONFIGURATION

◆ Surface Mount Device

For quantities greater than listed, call for quote.

MOUSER STOCK NO.	Package Type	Input Voltage	LEDs	Total Output Current (Max.)(mA)	Reset Control	Pump Modes	Dimming Interface	Junction Temperature Range (°C)	Price Each			
									1	10	100	1000
698—CAT3604HV4-G	TQFN-16	2.7 - 5.5	4	30mA/LED	Yes	1x/1.33x/1.5x/2x	PWM	-40 to +150	1.26	1.01	.774	.54

INDUCTIVE BOOST/SERIAL CONFIGURATION

◆ Surface Mount Device

Low noise step-up LED drivers

For quantities greater than listed, call for quote.

MOUSER STOCK NO.	Package Type	Input Voltage	LEDs	FB Pin Voltage V _{RSET} (mV)	Switch Voltage (Max.)(V)	Switch Current Limit (Typ.)(mA)	Dimming Interface	Junction Temperature Range (°C)	Price Each			
									1	10	100	1000
698—CAT4238TDG	TSOT-23-5	2.0 - 5.5	10	300	38	450	PWM	-40 to +150	1.25	1.00	.768	.535
698—CAT4139TD-G	TSOT-23-5	2.0 - 5.5	5	300	24	600 (Min.)	PWM	-40 to +150	1.25	1.00	.768	.535

INDUCTIVE BUCK SERIES CONFIGURATION

High-Voltage, Step-Down Converter with Regulated Current Control

For quantities greater than listed, call for quote.

MOUSER STOCK NO.	Package Type	Input Voltage	LEDs	FB Pin Voltage V _{RSET} (mV)	Switch Voltage (Max.)(V)	Switch Current Limit (Typ.)(mA)	Dimming Interface	Junction Temperature Range (°C)	Price Each			
									1	10	100	1000
698—CAT4201TD-G	TSOT-23-5	0 to 28	7	50mA/LED	Yes	50 to 1000	PWM	-40 to +150	1.70	1.38	1.10	.797

STMICROELECTRONICS Drivers and Power Supplies



RoHS Compliant This page of product is RoHS compliant.

Opto Drivers

STMicroelectronics

LED DRIVERS

Boost

For quantities greater than listed, call for quote.

MOUSER STOCK NO.	STMicro Part No.	Package	LED Type	Driver Type	Input Voltage (VDC)	Output Voltage (V)	Output Current (mA)	Dimming Type	Number of LEDs	Output Efficiency (%)	Configuration	Price Each		
												1	100	1000
511-STLDC08PUR	STLDC08PUR	DFN-10	Universal	Boost	0.8-3.6	5	140	PWM	4	-	Series	3.20	2.29	1.60
511-STLA02PUR	STLA02PUR	DFN-6	White	Boost	2.5-18	2.5-27	20	PWM	6	85	Series	2.38	1.54	1.11
511-STLD41PUR	STLD41PUR	DFN-8	White	Boost	3.0-21	1.15-38	120	PWM	40	87	Series	2.01	1.30	.942

Buck

For quantities greater than listed, call for quote.

MOUSER STOCK NO.	STMicro Part No.	Package	LED Type	Driver Type	Input Voltage (VDC)	Output Voltage (V)	Output Current (mA)	Dimming Type	Number of LEDs	Output Efficiency (%)	Configuration	Price Each		
												1	100	1000
511-ALED1642GWXTR	ALED1642GWXTR	TSSOP-24	Monolithic	Buck	3-5.5	20	40	PWM	16	-	Series	1.90	1.22	.89
511-ST1CC40DR	ST1CC40DR	SO-8	Monolithic	Buck	3-18	-	3000	PWM	2	100	Series	2.48	1.60	1.16

Buck/Boost

For quantities greater than listed, call for quote.

MOUSER STOCK NO.	STMicro Part No.	Package	LED Type	Driver Type	Input Voltage (VDC)	Output Voltage (V)	Output Current (mA)	Dimming Type	Number of LEDs	Output Efficiency (%)	Configuration	Price Each		
												1	100	1000
511-STP08DP05MTR	STP08DP05MTR	SO-16	Universal	Buck/Boost	0.7-3	0.4	5-100	PWM	8	95	Series	1.82	1.18	.852
511-STP08DP05XTTR	STP08DP05XTTR	HTSSOP-16	Universal	Buck/Boost	0.7-3	3.3	5-100	Linear	8	95	Series	1.18	.727	.507
511-STCF07PNNR	STCF07PNNR	QFN-16	White	Buck/Boost	2.7-5.5	0.3-6.0	1000	PWM	1	95	Series	4.03	2.88	2.01
511-STP16CP05TTR	STP16CP05TTR	TSSOP-24	Universal	Buck/Boost	3.0-5.5	0.5-20	5-100	Linear	16	95	Series	2.35	1.52	1.10
511-STP16CP05XTTR	STP16CP05XTTR	HTSSOP-24	Universal	Buck/Boost	3.0-5.5	5-100	100	Linear	16	95	Series	2.60	1.68	1.21
511-STP16CPS05XTTR	STP16CPS05XTTR	HTSSOP-24	Universal	Buck/Boost	3.0-5.5	0.5-20	5-100	Linear	16	95	Series	2.48	1.60	1.16
511-STP24DP05BTR	STP24DP05BTR	TQFP-48	Universal	Buck/Boost	3.0-5.5	0.5-20	5-100	Linear	24	95	Series	3.56	2.54	1.78
511-STP16CPS05MTR	STP16CPS05MTR	SO-24	Universal	Buck/Boost	3.5-5.5	0.5-20	5-100	Linear	16	95	Series	2.50	1.62	1.17
511-LED6001	LED6001	HTSSOP-16	Universal	Buck/Boost	36	60	75	PWM	1	80	Series	2.45	1.58	1.14

Current

For quantities greater than listed, call for quote.

MOUSER STOCK NO.	STMicro Part No.	Package	LED Type	Driver Type	Input Voltage (VDC)	Output Voltage (V)	Output Current (mA)	Dimming Type	Number of LEDs	Output Efficiency (%)	Configuration	Price Each		
												1	100	1000
511-STP16CPC26XTR	STP16CPC26XTR	TSSOP-24	Monolithic	Current	0.4	20	90	Parallel	-	-	Series	1.51	.931	.649
511-STP16CPC26MTR	STP16CPC26MTR	SO-24	Monolithic	Current	0.4	20	90	Parallel	16	90	Series	1.18	.727	.507
511-STP16CPC26TTR	STP16CPC26TTR	TSSOP-24	Monolithic	Current	0.4	20	90	Parallel	16	90	Series	1.43	.882	.615
511-LED1642GWPTTR	LED1642GWPTTR	QSOP-24	Monolithic	Current	3.3	20	50	PWM	16	90	Series	1.55	.955	.666
511-LED1642GWQTR	LED1642GWQTR	QFN-24	Monolithic	Current	3.3	20	50	PWM	16	90	Series	1.50	.92	.642
511-LED1642GWTTTR	LED1642GWTTTR	TSSOP-24	Monolithic	Current	3.3	20	50	PWM	16	90	Series	1.61	.989	.69
511-LED1642GWXTTR	LED1642GWXTTR	TSSOP-24 EP	Monolithic	Current	3.3	20	50	PWM	16	90	Series	1.70	1.04	.727
511-STLED524	STLED524	CSP-56	Universal	Boost	5.5	3.1	80	PWM	56	92	Parallel	2.80	2.00	1.40
511-LED2472GBTR	LED2472GBTR	TQFP-48	Monolithic	Current	5.5	19	72	Serial	24	-	Series	2.84	1.84	1.33
511-LED2472GQTR	LED2472GQTR	MLPQ-40	Monolithic	Current	5.5	19	72	Serial	24	-	Series	2.84	1.84	1.33
511-STAP16DPPS05XTTR	STAP16DPPS05XTTR	HTSSOP-24	Monolithic	Current	5.5	20	40	Serial	16	-	Series/Parallel	1.60	1.03	.749
511-STAP08DP5XTTR	STAP08DP5XTTR	TSSOP-16	Monolithic	Current	5.5	20	100	Serial	8	-	Series/Parallel	1.54	1.00	.725
511-STAP16DPS05XTTR	STAP16DPS05XTTR	HTSSOP-24	Monolithic	Current	5.5	20	100	Serial	16	-	Series/Parallel	1.60	1.03	.749
511-STP16CP05MTR	STP16CP05MTR	SO-24	Monolithic	Current	5.5	20	100	Linear	16	95	Series	1.66	1.07	.777
511-STP16CPC05MTR	STP16CPC05MTR	SO-24	Monolithic	Current	5.5	20	100	Serial	16	95	Series	1.72	1.11	.806
511-STP16DP05XTTR	STP16DP05XTTR	HTSSOP-24	Monolithic	Current	7.0	20	100	Serial	16	95	Series/Parallel	2.48	1.60	1.16
511-ST1CC40PUR	ST1CC40PUR	VFQFPN-8	Monolithic	Current	18	-	-	PWM	1	100	Series	2.48	1.60	1.16
511-LED2001PHR	LED2001PHR	HSOP-8	Monolithic	Current	18	20	40	PWM	1	100	Series	2.43	1.57	1.14
511-LED2001PUR	LED2001PUR	VFQFPN-8	Monolithic	Current	18	20	40	PWM	1	100	Series	2.43	1.57	1.14
511-HVLED815PFTR	HVLED815PFTR	SOIC-16	Universal	Current	23	-	1.7	PWM	1	95	Series	1.97	1.27	0.92
511-STCS1APHR	STCS1APHR	HSOP-8L	Universal	Current	40	1.5	500	Linear	1	95	Series	2.38	1.54	1.11
511-STCS1APUR	STCS1APUR	DFN-8	Universal	Current	40	1.5	2000	Linear	1	95	Series	2.62	1.69	1.22
511-STCS1PUR	STCS1PUR	DFN-8	Universal	Current	40	0.5	2000	Linear	1	95	Series	2.00	1.29	.935
511-STCS2ASPR	STCS2ASPR	PowerSO-10	Universal	Current	40	0.5	2000	Linear	1	95	Series	2.67	1.73	1.25
511-STCS05ADR	STCS05ADR	SO-8	Universal	Current	45	1.5	500	PWM	1	95	Series	1.69	1.04	.724

EVALUATION/DEMONSTRATION BOARDS

For quantities greater than listed, call for quote.

MOUSER STOCK NO.	STMicro Part No.	Description	Price Each
511-EVAL5988D	EVAL5988D	L5988D, 4A, 14W-21W, T5 Miniature Ballast Driven by Bipolar Transistors Demonstration Board	12.50
511-EVAL6520-1421	EVAL6520-1421	L6520, 198V to 264V, 14W-21W, T5 Miniature Ballast Driven by Bipolar Transistors Demonstration Board	43.75
511-EVALHVL805	EVALHVL805	Demonstration board for use with HVLED805 PWM current mode LED driver	25.00
511-EVLHVL815W10F	EVLHVL815W10F	HVLED815PF 265VAC, 455mA, Flyback Topology, LED Driver Evaluation Board	50.00
511-EVALHVL815W15	EVALHVL815W15	Demonstration board for use with HVLED815W15 off-line LED driver	87.50
511-STEVAL-CCM004V2	STEVAL-CCM004V2	STM3220F TFT LCD Panel Controller Evaluation Board	115.00
511-STEVAL-ILL003V2	STEVAL-ILL003V2	STP16CP05 32-LED High-Brightness without Diagnostic Evaluation Board	46.25
511-STEVAL-ILL015V1	STEVAL-ILL015V1	STP24DP05, STM32 High Brightness RGB LED Array with LED Error Detection Demonstration Board	85.31
511-STEVAL-ILL016V2	STEVAL-ILL016V2	TSM1052 15W, 115V Regulated Triac-Dimmable LED Driver Demonstration Board	110.25
511-STEVAL-ILL017V1	STEVAL-ILL017V1	VIPER17HN 220V Offline Constant Current LED Driver Demonstration Board	64.31
511-STEVAL-ILL019V1	STEVAL-ILL019V1	Demonstration board that creates a flyback converter using the L6562A, to supply outputs for 4 RGB LED modules	107.50
511-STEVAL-ILL020V1	STEVAL-ILL020V1	Demonstration board for the use of LED7706 to supply LED arrays used to backlight LCD panels	59.06
511-STEVAL-ILL021V1	STEVAL-ILL021V1	Demonstration board for the use of LED7707 to supply LED arrays used to backlight LCD panels	59.06
511-STEVAL-ILL031V1	STEVAL-ILL031V1	STM8S208, 48V, Digital Constant Current Controller for LED Driving Demonstration Board	85.00
511-STEVAL-ILL032V1	STEVAL-ILL032V1	STP24DP05BTR Multicolor LED Matrix Demonstration Board	241.25
511-STEVAL-ILL035V1	STEVAL-ILL035V1	LED7708 16-Channel LED Driver with Boost Controller Demonstration Board	123.75
511-STEVAL-ILL039V1	STEVAL-ILL039V1	Demonstration board for the use of STLDC08 step-up controller for 2 LEDs	46.25
511-STEVAL-ILL039V2	STEVAL-ILL039V2	Demonstration board for the use of STLDC08 step-up controller for 4 LEDs	46.25
511-STEVAL-ILL043V1	STEVAL-ILL043V1	L6562A 75W High Power Flyback LED Driver Demonstration Board	178.75
511-STEVAL-ILL052V1	STEVAL-ILL052V1	L6562 and L6599, 48V - 130 W high efficiency converter with PFC Demonstration Board	181.25
511-STEVAL-ILL054V1	STEVAL-ILL054V1	LED2001, 4A HB LED Driver with Dimming Function QFN Demonstration Board	31.25
511-STEVAL-ILL054V2	STEVAL-ILL054V2	LED2001, 4A HB LED Driver with Dimming Function HSOP8 Demonstration Board	31.25
511-STEVAL-ILL056V1	STEVAL-ILL056V1	LED5000, 3A, 850kHz, Buck LED Driver Board	35.00
511-STEVAL-ILL057V1	STEVAL-ILL057V1	STLUX385A, 1A, 200W, Digital 4 LED-Channel Evaluation Board	117.50
511-STEVAL-ILL061V1	STEVAL-ILL061V1	LED1642GW and STM32, 28V, High Brightness RGB LED Array Driver with Local Dimming	50.00
511-STEVAL-ILL066V1	STEVAL-ILL066V1	STLUX385A, 256V, 100 W LED Street Lighting Evaluation Board	242.50
511-STEVAL-TLL001V1	STEVAL-TLL001V1	STLD40D, 3V to 5.5V, White LED Controller Evaluation Board	40.00
511-STEVAL-TLL006V2	STEVAL-TLL006V2	STCF06, High-Power Buck-Boost LED Driver Demo Board	98.75
511-STEVAL-TLL009V1	STEVAL-TLL009V1	STCF07 Camera Flash LED Demo Board	61.25
511-STEVAL-TLL010V1	STEVAL-TLL010V1	STLA02 Step-Up 6 WH LED Driver Demonstration Board	61.25
511-STEVAL-TLL011V1	STEVAL-TLL011V1	STLD41 Step-Up 40 WH LED Driver Demonstration Board	118.75

AVAGO High-Power LEDs



This page of product is RoHS compliant.



SURFACE MOUNT POWER LEDs

For quantities greater than listed, call for quote.

MOUSER STOCK NO.	Avago Part No.	Fig.	Color	CCT (K)	CRI Typ.	Luminous Flux (lm) ^{1,2}			Current (mA)	Price Each			
						Min.	Typ.	Max.		1	10	100	1000
630-ASMT-QWBH-NGJFE	ASMT-QWBH-NGJFE	A	Cool White	4000	75	51.7	54.3	67.2	150	1.72	1.15	.92	.644
630-ASMT-QWBH-NGJEE	ASMT-QWBH-NGJEE	A	Cool White	4500	75	51.7	54.3	67.2	150	1.72	1.15	.92	.644
630-ASMT-QWBG-NFHFE	ASMT-QWBG-NFHFE	A	Cool White	4500	85	45.7	48.0	62.0	150	1.80	1.20	.96	.672

HALF WATT POWER LEDs

For quantities greater than listed, call for quote.

MOUSER STOCK NO.	Avago Part No.	Fig.	Color	Wave-length (nm)	Luminous Flux (lm)	Power (W)	Voltage (VDC)	Current (mA)	Price Each			
									1	10	100	1000
630-ASMT-QRBD-AEF0E	ASMT-QRBD-AEF0E	B	Red	621	16.5	0.5	2.5	150	1.16	.775	.62	.434
630-ASMT-QHBD-AFH0E	ASMT-QHBD-AFH0E	B	Red-Orange	616	17.5	0.5	2.5	150	1.16	.775	.62	.434
630-ASMT-QABD-AEF0E	ASMT-QABD-AEF0E	B	Amber	593	16.5	0.5	2.3	150	1.16	.775	.62	.434
630-ASMT-QGBE-NFH0E	ASMT-QGBE-NFH0E	B	Green	522	33	0.5	3.6	150	2.14	1.51	1.18	.907
630-ASMT-QWBC-NJK0E	ASMT-QWBC-NJK0E	B	Cool White	-	38	0.5	3.4	150	1.75	1.24	.972	.742

MINI HIGH POWER LEDs

1 Watt Rating

For quantities greater than listed, call for quote.

MOUSER STOCK NO.	Avago Part No.	Fig.	Color	Wave-length (nm)	Luminous Flux (lm)	Power (W)	Voltage (VDC)	Current (mA)	Price Each			
									1	10	100	1000
630-ASMT-JR10-ARS01	ASMT-JR10-ARS01	C	Red	625	67.2	1	2.4	350	3.27	2.45	1.98	1.55
630-ASMT-JA10-ARS01	ASMT-JA10-ARS01	C	Amber	590	67.2	1	2.4	350	3.27	2.45	1.98	1.55

3 Watt Rating

For quantities greater than listed, call for quote.

MOUSER STOCK NO.	Avago Part No.	Fig.	Color	Wave-length (nm)	Luminous Flux (lm)	Power (W)	Voltage (VDC)	Current (mA)	Price Each			
									1	10	100	1000
630-ASMT-JR30-ARS01	ASMT-JR30-ARS01	C	Red	625	67.2	3	2.4	700	3.36	2.52	2.04	1.59
630-ASMT-JH30-ARS01	ASMT-JH30-ARS01	C	Red-Orange	615	67.2	3	2.4	700	3.36	2.52	2.04	1.59
630-ASMT-JG31-NTU01	ASMT-JG31-NTU01	C	Green	525	125	3	3.6	700	4.84	3.63	2.94	2.30
630-ASMT-JB31-NMP01	ASMT-JB31-NMP01	C	Blue	470	30.6	3	3.6	700	3.75	2.81	2.27	1.78
630-ASMT-JL31-NPQ01	ASMT-JL31-NPQ01	C	Royal Blue	455	740mW	3	3.6	700	3.75	2.81	2.27	1.78

HIGH POWER LEDs

1 Watt Rating

For quantities greater than listed, call for quote.

MOUSER STOCK NO.	Avago Part No.	Fig.	Color	Wave-length (nm)	Luminous Flux (lm)	Power (W)	Voltage (VDC)	Current (mA)	Price Each			
									1	10	100	1000
630-ASMT-AR00-ARS00	ASMT-AR00-ARS00	D	Red	625	50.0	1.0	2.1	350	3.61	2.70	2.19	1.71
630-ASMT-AA00-ARS00	ASMT-AA00-ARS00	D	Amber	590	50.0	1.0	2.1	350	3.61	2.70	2.19	1.71

3 Watt Rating

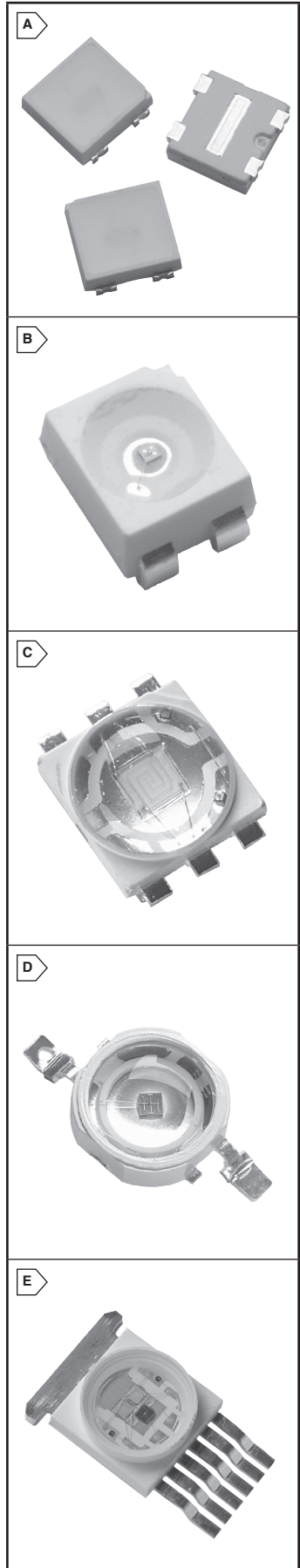
For quantities greater than listed, call for quote.

MOUSER STOCK NO.	Avago Part No.	Fig.	Color	Wave-length (nm)	Luminous Flux (lm)	Power (W)	Voltage (VDC)	Current (mA)	Price Each			
									1	10	100	1000
630-ASMT-AR30-ARS00	ASMT-AR30-ARS00	D	Red	625	94.0	3.0	2.4	700	4.64	3.48	2.82	2.20
630-ASMT-AH30-ARS00	ASMT-AH30-ARS00	D	Red-Orange	615	94.0	3.0	2.4	700	4.64	3.48	2.82	2.20
630-ASMT-AG31-NTU00	ASMT-AG31-NTU00	D	Green	525	125.0	3.0	3.6	700	5.29	3.96	3.21	2.51
630-ASMT-AA30-ARS00	ASMT-AA30-ARS00	D	Amber	590	90	3	2.4	700	4.64	3.48	2.82	2.20
630-ASMT-AB31-NMP00	ASMT-AB31-NMP00	D	Blue	470	30	3	3.6	700	5.76	4.32	3.50	2.74

3 WATT TRICOLOR HIGH POWER LED

For quantities greater than listed, call for quote.

MOUSER STOCK NO.	Avago Part No.	Fig.	Color	Wave-length (nm)	Luminous Flux (lm)	Power (W)	Voltage (VDC)	Current (mA)	Price Each			
									1	10	100	1000
630-ASMT-MT00-00001	ASMT-MT00-00001	E	Red/Green/Blue	625/527/470	56/73/19.5	3	2.4/3.5/3.5	350	13.38	12.00	9.00	7.65

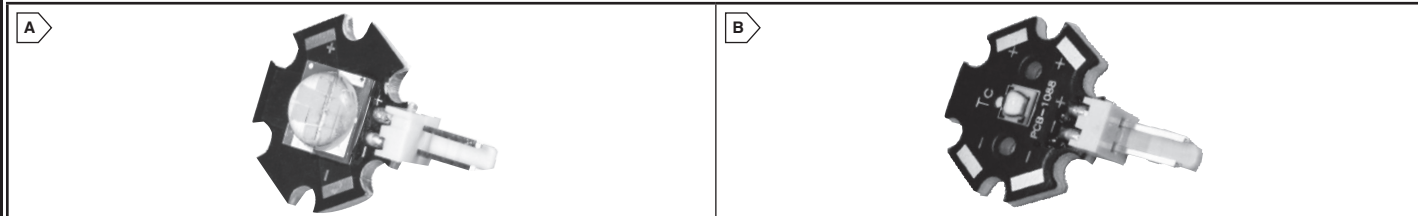


LED Lighting Avago

BIVAR LED Light Engines and Illumination



Products may be RoHS compliant. Check mouser.com for RoHS status.



L2 STARBOARD LIGHT ENGINES

Bivar L2 Starboard Light Engines with Cree XLamp LEDs are the first light engines available in the industry to offer Cree's XLamp LEDs on a starboard. These starboard light engines are optimized for high output, high color rendering index (CRI), and lighting uniformity, making them ideal for directional lighting applications in both indoor and outdoor environments. They deliver light with consistent CCT in a highly efficient package that enables true halogen performance in a thermally constrained design.

Features:

- Unique factory Tc (case temperature test point) for max current drive and temperature control
- Optional pin headers allows quick hook-up, eliminates delicate soldering process
- Low thermal resistance

Applications:

- Indoor directional lighting
- Indoor commercial lighting
- Indoor down lighting
- Outdoor roadway and parking lighting
- Outdoor portable lighting
- Outdoor solar-powered lighting
- General illumination
- PAR (Parabolic Aluminum Reflector Lamp)

For quantities greater than listed, call for quote.

MOUSER STOCK NO.	Bivar Part No.	Fig.	Illumination Color	Color Temp.	Luminous Flux (lm)	CRI	Viewing Angle (°)	Forward Voltage (V)	Price Each					
									1	10	50	100		
ML Series														
749-L2-MLC1-F	L2-MLC1-F	A	Cool White	6500K	144	65	125	2.8 to 2.9	13.24	12.61	11.71	11.53		
749-L2-MLC1-S	L2-MLC1-S	A	Cool White	6500K	144	65	125	2.8 to 2.9	12.66	12.05	11.19	11.02		
749-L2-MLN1-F	L2-MLN1-F	A	Neutral White	4100K	124	75	125	2.8 to 2.9	10.05	9.58	8.89	8.76		
749-L2-MLN1-S	L2-MLN1-S	A	Neutral White	4100K	124	75	125	2.8 to 2.9	9.56	9.10	8.45	8.32		
749-L2-MLW1-F	L2-MLW1-F	A	Warm White	3100K	103	80	125	2.8 to 2.9	10.05	9.58	8.89	8.76		
749-L2-MLW1-S	L2-MLW1-S	A	Warm White	3100K	103	80	125	2.8 to 2.9	9.56	9.10	8.45	8.32		
PG Series														
749-L2-PGC1-S	L2-PGC1-S	A	Cool White	6500K	97	75	85	2.9 to 3.0	8.54	8.13	7.55	7.44		
749-L2-PGC2-F	L2-PGC2-F	A	Cool White	6500K	97	75	35	2.9 to 3.0	9.01	8.58	7.97	7.85		
749-L2-PGC2-S	L2-PGC2-S	A	Cool White	6500K	97	75	35	2.9 to 3.0	8.54	8.13	7.55	7.44		
749-L2-PGC3-F	L2-PGC3-F	A	Cool White	6500K	97	75	45, 25	2.9 to 3.0	9.01	8.58	7.97	7.85		
749-L2-PGC3-S	L2-PGC3-S	A	Cool White	6500K	97	75	45, 25	2.9 to 3.0	8.54	8.13	7.55	7.44		
749-L2-PGN1-F	L2-PGN1-F	A	Neutral White	4100K	91	75	85	2.9 to 3.0	8.91	8.48	7.88	7.76		
749-L2-PGN1-S	L2-PGN1-S	A	Neutral White	4100K	91	75	85	2.9 to 3.0	8.44	8.04	7.46	7.35		
749-L2-PGN2-S	L2-PGN2-S	A	Neutral White	4100K	91	75	35	2.9 to 3.0	8.44	8.04	7.46	7.35		
749-L2-PGW2-S	L2-PGW2-S	A	Warm White	3100K	80	80	35	2.9 to 3.0	8.78	8.36	7.76	7.64		
749-L2-PGW3-S	L2-PGW3-S	A	Warm White	3100K	80	80	45, 25	2.9 to 3.0	8.78	8.36	7.76	7.64		
TG Series														
749-L2-TGN1-F	L2-TGN1-F	A	Neutral White	4000K	141	80	120	5.2 to 5.3	20.68	19.70	18.29	18.01		
749-L2-TGN1-S	L2-TGN1-S	A	Neutral White	4000K	141	80	120	5.2 to 5.3	19.86	18.91	17.56	17.29		
749-L2-TGW1-F	L2-TGW1-F	A	Warm White	3000K	130	80	120	5.2 to 5.3	20.68	19.70	18.29	18.01		
749-L2-TGW1-S	L2-TGW1-S	A	Warm White	3000K	130	80	120	5.2 to 5.3	19.86	18.91	17.56	17.29		
Development Tools														
749-L2CON-24	L2CON-24	A	Description											
			24" Gauge, 609.6mm LED Starboard Cable							3.28	3.12	2.90	2.85	

L24 HIGH POWER STARBOARD LIGHT ENGINES

Bivar L24 Light Engines are optimized for high output, high CRI and lighting uniformity for indoor and outdoor directional, commercial and general illumination lighting applications.

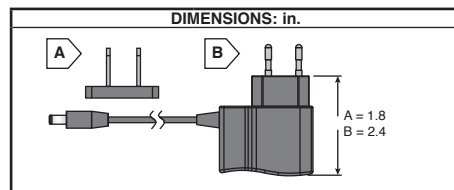
For quantities greater than listed, call for quote.

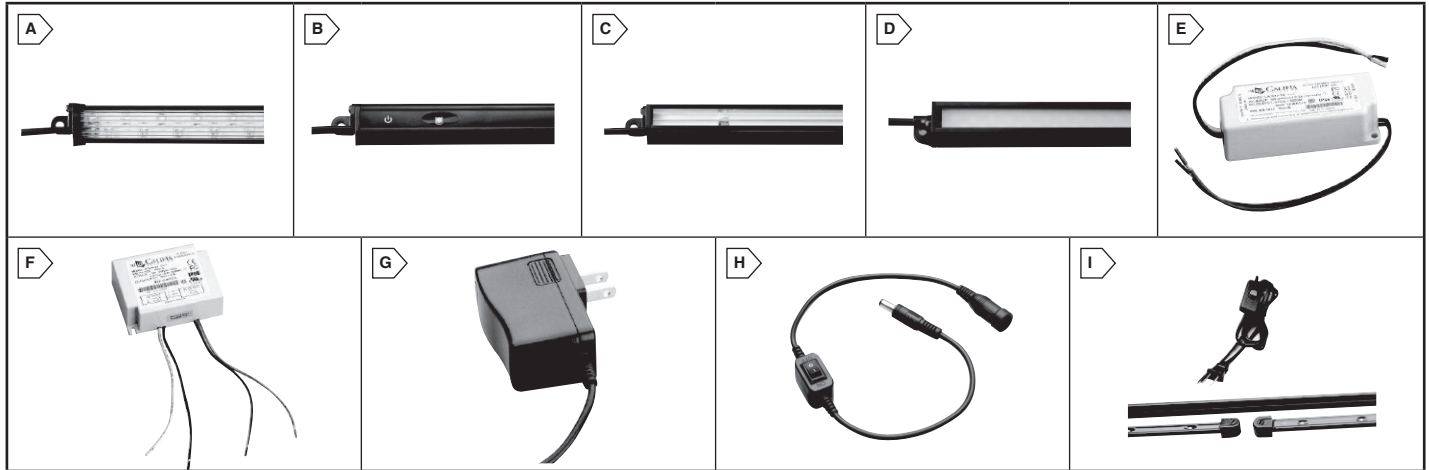
MOUSER STOCK NO.	Bivar Part No.	Fig.	Illumination Color	Color Temp.	Luminous Flux (lm)	Viewing Angle (°)	Forward Voltage (V)	Price Each						
								1	10	50	100			
749-L24-T6500K	L24-T6500K	B	Cool White	6500K	220	120	2.8	11.84	11.34	10.45	10.32			
749-L24-Z5700K	L24-Z5700K	B	Cool White	5700K	140	120	2.8	9.75	9.34	8.61	8.50			
749-L24-ZES5700K	L24-ZES5700K	B	Cool White	5700K	200	120	2.8	10.54	10.10	9.31	9.19			
749-L24-T5700K	L24-T5700K	B	Cool White	5700K	220	120	2.8	11.84	11.34	10.45	10.32			
749-L24-Z5700K4	L24-Z5700K4	B	Cool White	5700K	560	120	2.8	18.12	17.35	16.00	15.79			
749-L24-ZES5700K4	L24-ZES5700K4	B	Cool White	5700K	800	120	2.8	20.07	19.23	17.73	17.50			
749-L24-Z5700K6	L24-Z5700K6	B	Cool White	5700K	840	120	2.8	23.76	22.76	20.99	20.72			
749-L24-ZES5700K6	L24-ZES5700K6	B	Cool White	5700K	1200	120	2.8	26.47	25.35	23.38	23.08			
749-L24-Z5000K	L24-Z5000K	B	Cool White	5000K	130	120	2.8	9.75	9.34	8.61	8.50			
749-L24-ZES5000K	L24-ZES5000K	B	Cool White	5000K	200	120	2.8	10.54	10.10	9.31	9.19			
749-L24-T5000K	L24-T5000K	B	Cool White	5000K	220	120	2.8	11.84	11.34	10.45	10.32			
749-L24-Z4000K	L24-Z4000K	B	Neutral White	4000K	120	120	2.8	9.75	9.34	8.61	8.50			
749-L24-ZES4000K	L24-ZES4000K	B	Neutral White	4000K	190	120	2.8	10.54	10.10	9.31	9.19			
749-L24-T4000K	L24-T4000K	B	Neutral White	4000K	210	120	2.8	11.84	11.34	10.45	10.32			
749-L24-T3000K	L24-T3000K	B	Warm White	3000K	200	120	2.8	11.84	11.34	10.45	10.32			
749-L24-Z3000K	L24-Z3000K	B	Warm White	3000K	110	120	2.8	9.75	9.34	8.61	8.50			
749-L24-ZES3000K	L24-ZES3000K	B	Warm White	3000K	160	120	2.8	10.54	10.10	9.31	9.19			
749-L24-Z3000K4	L24-Z3000K4	B	Warm White	3000K	440	120	2.8	18.12	17.35	16.00	15.79			
749-L24-ZES3000K4	L24-ZES3000K4	B	Warm White	3000K	480	120	2.8	20.07	19.23	17.73	17.50			
749-L24-Z3000K6	L24-Z3000K6	B	Warm White	3000K	660	120	2.8	23.76	22.76	20.99	20.72			
749-L24-ZES3000K6	L24-ZES3000K6	B	Warm White	3000K	720	120	2.8	26.47	25.35	23.38	23.08			
749-L24-Z2700K	L24-Z2700K	B	Warm White	2700K	100	120	2.8	9.75	9.34	8.61	8.50			
749-L24-ZES2700K	L24-ZES2700K	B	Warm White	2700K	150	120	2.8	10.54	10.10	9.31	9.19			
749-L24-T2700K	L24-T2700K	B	Warm White	2700K	170	120	2.8	11.84	11.34	10.45	10.32			
Multi Color														
749-L24-ZRGBAW	L24-ZRGBAW	B	RGB, Amber	-	40, 72, 24, 48	120	3.05	24.34	23.31	21.49	21.22			
749-L24-ZRGBAW2	L24-ZRGBAW2	B	RGB, Amber, Cool/Warm White	-	40, 72, 24, 48, 140, 110	120	3.05	29.96	28.69	26.45	26.12			
749-L24-ZRGBW	L24-ZRGBW	B	RGB, Neutral White	-	40, 72, 24, 120	120	3.05	21.24	20.34	18.75	18.51			

IN-LINE AND WALL MOUNT POWER SUPPLIES FOR BIVAR LED ENGINEERED ILLUMINATION

For quantities greater than listed, call for quote.

MOUSER STOCK NO.	Bivar Part No.	Fig.	Type	Input Voltage (V)	Output Voltage (DC)	Output Current (mA)	Output Connector	Price Each		
								1	10	50
749-EIADT-UL-001	EIADT-UL-001	A	Wall Mount	100-240 VAC	24	600	2.1mm	8.36	7.84	7.08
749-EIADT-VDE-001	EIADT-VDE-001	B	Wall Mount	100-240 VAC	24	600	2.1mm	10.82	10.15	9.46
749-EIADT-VDE-002	EIADT-VDE-002	B	Wall Mount	100-240 VAC	3.3	350	2.1mm	8.56	8.03	7.49





P3000/P3100 PENINSULA'S SERIES

The Peninsula's durable plastic construction makes it an economical lightweight luminaire delivering a wide range of semi-diffused light output.

Features:

- Semi Diffused
- Directional Efficiency
- Low Profile
- Long Life
- Instant On
- Mercury Free
- Lead Free
- No UV
- Dimensions: (L) 304.8mm x (W) 21.1mm x (H) 15.22mm



For quantities greater than listed, call for quote.

MOUSER STOCK NO.	Bivar Part No.	Fig.	Color Temp.	Lumen Output	Efficacy (lm/W)	Color Rendering Index (CRI)	Power (W)	Input Voltage	Price Each	
									1	10
749-P3100-C-S	P3100-C-S	A	Cool (C) - 6500K	190	95	80	2	24VDC	22.00	19.00
749-P3100-W-S	P3100-W-S	A	Warm (W) - 3000K	170	85	70	2	24VDC	22.00	19.00

C5000/C5400 COASTLINE SERIES

The Coastline series delivers high brightness performance in a very low-profile aluminum housing, making concealed placement a breeze. Suitable for all commercial and industrial applications, specifically banks, restaurants, retail, enclosures, and medical test labs.

Features:

- HB LEDs
- Low Profile
- Narrow Beam
- Built-in Dimmer
- Instant On
- Mercury Free
- Lead Free
- No UV



For quantities greater than listed, call for quote.

MOUSER STOCK NO.	Bivar Part No.	Fig.	Color Temp.	Lumen Output	Efficacy (lm/W)	Color Rendering Index (CRI)	Power (W)	Input Voltage	Price Each	
									1	10
Dimensions : (L) 304.8mm x (W) 21.1mm x (H) 7.6mm										
749-C5000-N-S	C5000-N-S	B	Neutral (N) - 4750K	365	75	83	5	24VDC	52.00	49.40
Dimensions : (L) 304.8mm x (W) 21.1mm x (H) 12mm										
749-C5400-C-S	C5400-C-S	C	Cool (C) - 6500K	390	70	75	5	24VDC	54.54	52.46

B7000/B7100 BAYFRONT SERIES

The Bayfront features a sturdy aluminum housing for greater durability and a diffused lens to maximize light output uniformity.

Features:

- Diffused Lens
- Directional Efficiency
- Low Profile
- Long Life
- Instant On
- Mercury Free
- Lead Free
- No UV
- Dimensions: (L) 304.8mm x (W) 15.69mm x (H) 22.6mm



For quantities greater than listed, call for quote.

MOUSER STOCK NO.	Bivar Part No.	Fig.	Color Temp.	Lumen Output	Efficacy (lm/W)	Color Rendering Index (CRI)	Power (W)	Input Voltage	Price Each	
									1	10
749-B7100-C-S	B7100-C-S	D	Cool (C) - 6500K	180	45	80	4	24VDC	40.08	35.20
749-B7100-W-S	B7100-W-S	D	Warm (W) - 3000K	160	40	70	4	24VDC	40.08	35.23

ACCESSORIES



For quantities greater than listed, call for quote.

MOUSER STOCK NO.	Bivar Part No.	Fig.	Description	Price Each	
				1	10
Dimensions : (L) 85.1mm x (W) 35mm x (H) 23mm					
749-PS-1032	PS-1032	E	Class 2 Power Supply 12W, 24V/500mA	33.33	27.03
Dimensions : (L) 95mm x (W) 70mm x (H) 32mm					
749-PS-1033	PS-1033	F	Class 2 Power Supply 40W, 24V/1.67A	56.67	45.95
Dimensions : (L) 73.7mm x (W) 27.9mm x (H) 45.2mm					
749-WA-UL-001	WA-UL-001	G	(North America)Universal Regulated Quick Connect Power Supply	15.79	12.00
Dimensions : (L) 50.8mm x (W) 16.5mm x (H) 152.4mm					
749-SW-1001	SW-1001	H	In-line On/Off switch	6.32	4.80

C5000

Coastline Series P5000 3' Track Kit Includes:

- Qty-2 P5000 - _ - TR LED Luminaire, available in 3 color temps, see individual specs on Coastline product page
- Qty-1 CTR-36B Track, 3' Length, Black
- Qty-1 CTR-EN01B Live End Feeder For Power Supply Connection
- Qty-1 SW-1002 In-line On/Off Switch

* Power Supply not included in Kit.

For quantities greater than listed, call for quote.

MOUSER STOCK NO.	Bivar Part No.	Fig.	Power Supply	Description	Price Each	
					1	10
749-C5000-N-KIT-502	C5000-N-KIT-502	I	749-PS-1033	3' C5000 Track Kit, N = Color Temperature 4750K, Neutral White	134.67	129.49

LENSES

For quantities greater than listed, call for quote.

MOUSER STOCK NO.	Carclo Part No.	Beam	Diameter (mm)	Height (mm)	Flange	LEDs	Price Each			
							1	10	50	100
Lenses										
962-10003	10003	Plain Tight	20	9.9	Yes	Cree, Nichia, Seoul, LedEngin, Luminus, Osion, Avago	1.95	1.79	1.53	1.30
962-1000315	10003/15	Ripple Medium	20	9.9	Yes	Cree, Osram, SSC, LedEngin, Avago, Everlight	1.95	1.79	1.53	1.30
962-1000325	10003/25	Ripple Wide	20	9.9	Yes	Cree, Osram, SSC, LedEngin, Avago, Everlight	1.95	1.79	1.53	1.30
962-10003L25	10003/L25	Elliptical	20	9.9	Yes	Cree, Osram, SSC, Nichia, Luminus, Everlight	1.95	1.79	1.53	1.30
962-10048	10048	Frosted Medium	26.5	13.9	Yes	Cree, Nichia, Seoul, LedEngin, Luxeon, Osion, Avago	2.91	2.67	2.28	1.94
962-10049	10049	Elliptical	26.5	13.9	Yes	Cree, Nichia, Seoul, LedEngin, Luxeon, Osion, Avago	2.91	2.67	2.28	1.94
962-10108	10108	Frosted Medium	26.5	13.9	Yes	Cree, Nichia, Seoul, LedEngin, Luxeon, Osion, Avago	2.91	2.67	2.28	1.94
962-10124	10124	Frosted Wide	26.5	13.9	Yes	Cree, Nichia, Seoul, LedEngin, Luxeon, Osion, Avago	2.91	2.67	2.28	1.94
962-10138	10138	Frosted Narrow	20	9.9	Yes	Cree, Nichia, Seoul, LedEngin, Luminus, Osion, Avago	1.95	1.79	1.53	1.30
962-10139	10139	Frosted Medium	20	9.9	Yes	Cree, Nichia, Seoul, LedEngin, Luminus, Osion, Avago	1.95	1.79	1.53	1.30
962-10140	10140	Frosted Wide	20	9.9	Yes	Cree, Nichia, Seoul, LedEngin, Luminus, Osion, Avago	1.95	1.79	1.53	1.30
962-10193	10193	Plain Tight	20	9.9	Yes	Cree, Osram, Seoul, Nichia	1.95	1.79	1.53	1.30
962-10194	10194	Frosted Narrow	20	9.9	Yes	Cree, Osram, Seoul, Nichia	1.37	1.26	1.08	.91
962-10195	10195	Frosted Medium	20	9.9	Yes	Cree, Osram, Seoul, Nichia	1.95	1.79	1.53	1.30
962-10196	10196	Frosted Wide	20	9.9	No	Cree, Osram, Seoul, Nichia	1.95	1.79	1.53	1.30
962-10197	10197	Elliptical	20	9.9	Yes	Cree, Osram, Seoul, Nichia	1.95	1.79	1.53	1.30
962-10198	10198	Elliptical Orthogonal	20	9.9	No	Cree, Osram, Luxeon, Nichia	1.74	1.59	1.36	1.16
962-10199	10199	Plain Tight	20	9.9	Yes	Cree, Avago	1.95	1.79	1.53	1.30
962-10200	10200	Frosted Narrow	20	9.6	Yes	Cree, Avago	1.95	1.79	1.53	1.30
962-10202	10202	Frosted Medium	20	9.6	Yes	Cree, Avago	1.95	1.79	1.53	1.30
962-10203	10203	Ripple Wide	20	9.6	Yes	Cree, Avago	1.37	1.26	1.08	.91
962-10204	10204	Frosted Wide	20	9.6	Yes	Cree, Avago	1.95	1.79	1.53	1.30
962-10208	10208	Ripple Medium	20	9.9	No	Cree, Osram, Luxeon, Nichia	1.95	1.79	1.53	1.30
962-10209	10209	Ripple Wide	20	9.9	Yes	Cree, Osram, Luxeon, Nichia	1.95	1.79	1.53	1.30
962-10210	10210	Ripple Medium	20	9.6	Yes	Cree, Avago	1.95	1.79	1.53	1.30
962-10211	10211	Ripple Wide	20	9.6	Yes	Cree, Avago	1.95	1.79	1.53	1.30
962-10260	10260	Ripple Wide	26.5	13.9	Yes	Cree, Seoul, Osram, Nichia, LedEngin	2.91	2.67	2.28	1.94
962-10267	10267	Side Emitter	17.2	10	No	Luxeon Rebel	2.04	1.87	1.60	1.36
962-10356	10356	Fiber	20	-	No	Osram, Luxeon	1.95	1.79	1.53	1.30
962-10403	10403	Bubble 120	20	-	No	Cree, Luxeon	2.28	2.09	1.79	1.52
962-10406	10406	Bubble 130	20	10	No	Cree, Luxeon	2.28	2.09	1.79	1.52
962-10620	10620	Hubble Hemispherical	20	7.3	No	Luxeon Rebel, Cree XP-E	2.28	2.09	1.79	1.52
962-10628	10628	Bubble Downlight	20	10	No	Luxeon Rebel, Cree XP-E, XP-G	2.28	2.09	1.79	1.52
962-10391	10391	Plain Tight	26.5	13.3	Yes	Cree, Osram, Luminus, Avago	2.91	2.67	2.28	1.94
962-10392	10392	Frosted Narrow	26.5	13.3	Yes	Cree, Osram, Luminus, Avago	2.91	2.67	2.28	1.94
962-10393	10393	Frosted Medium	26.5	13.3	Yes	Cree, Osram, Luminus, Avago	2.91	2.67	2.28	1.94
962-10394	10394	Frosted Wide	26.5	13.3	No	Cree, Osram, Luminus, Avago	2.91	2.67	2.28	1.94
962-10395	10395	Elliptical	26.5	13.3	Yes	Cree, Osram, Luminus, Avago	2.91	2.67	2.28	1.94
962-10755	10755	Plain Tight	30	15.5	Yes	Cree, Luxeon, Osram, SSC	4.56	4.18	3.57	3.04
962-10756	10756	Frosted Narrow	30	15.5	Yes	Cree, Luxeon, Osram, SSC	4.56	4.18	3.57	3.04
962-10757	10757	Frosted Medium	30	15.5	Yes	Cree, Luxeon, Osram, SSC	4.56	4.18	3.57	3.04
962-10758	10758	Frosted Wide	30	15.5	Yes	Cree, Luxeon, Osram, SSC	4.56	4.18	3.57	3.04
Square Lens with Legs										
962-10412	10412	Plain Tight	10	6	Yes	Cree, Luxeon, Nichia, Seoul, Osion	1.47	1.35	1.15	.98
962-10413	10413	Frosted Medium	10	6	Yes	Cree, Luxeon, Nichia, Seoul, Osion	1.47	1.35	1.15	.98
962-10414	10414	Frosted Wide	10	6	Yes	Cree, Luxeon, Nichia, Seoul, Osion	1.47	1.35	1.15	.98
962-10415	10415	Elliptical	10	6	Yes	Cree, Luxeon, Nichia, Seoul, Osion	1.47	1.35	1.15	.98
962-10417	10417	Lens Front Narrow	10	6	Yes	Cree, Luxeon, Nichia, Seoul, Osion	1.47	1.35	1.15	.98
Round Lens with Legs										
962-10507	10507	Lens Front Narrow	10	-	Yes	Luxeon Rebel, Cree XP-E, Osram SSL	2.79	2.56	2.19	1.86
962-10508	10508	Frosted Medium	10	-	No	Luxeon Rebel, Cree XP-E, Osram SSL	2.79	2.56	2.19	1.86
962-10509	10509	Frosted Wide	10	-	No	Luxeon Rebel, Cree XP-E, Osram SSL	2.79	2.56	2.19	1.86
962-10510	10510	Elliptical	10	-	Yes	Luxeon Rebel, Cree XP-E, Osram SSL	2.79	2.56	2.19	1.86
962-10511	10511	Frosted Narrow	10	-	Yes	Luxeon Rebel, Osram SSL, SSC Z5	2.79	2.56	2.19	1.86
Reflectors										
962-10170	10170	Wide Angle Alum. Coated	20	9.9	No	Cree, Osram, Seoul, Luxeon	1.14	1.05	.89	.76

STRIP LENS

For quantities greater than listed, call for quote.

MOUSER STOCK NO.	Carclo Part No.	Beam	Length (mm)	Diameter (mm)	Height (mm)	Flange	LEDs	Price Each			
								1	10	50	100
962-10398	10398	Strip	300	11	5	No	Cree XP-E; Luxeon Rebel	4.50	4.13	3.53	3.00

OPTICS HOLDERS

For quantities greater than listed, call for quote.

MOUSER STOCK NO.	Beam	Length (mm)	Dia. (mm)	Related Optics	Related LEDs	Price Each			
						1	10	50	100
962-10148	2	0	-	10194, 10195, 10209, 10196, 10197, 10198, 10356, 10208, 10193, 10190, 10003, 10138, 10003/15, 10139, 10003/25, 10140, 10003/L25, 10192	Osram Dragon	.39	.36	.31	.26
962-10205	1	0	-	10199, 10200, 10210, 10201, 10211, 10202, 10203, 10204,	Cree XR	.39	.36	.31	.26
962-10363	1	0	-	10170, 10003, 10138, 10003/15, 10139, 10003/25, 10140, 10003/L25, 10192	Seoul Semi P4	.39	.36	.31	.26
962-10425	1	4	1.2	10199, 10200, 10210, 10211, 10202, 10203, 10204	Cree XR, MC-E	.39	.36	.31	.26
962-10406	1	4	0.8	10048, 10124, 10108, 10260, 10049, 10224, 10234	Nichia NFSW036	.39	.36	.31	.26
962-10455	1	4	2	10048, 10124, 10108, 10260, 10049, 10224, 10234, 10391, 10392, 10393, 10394, 10395	Cree XR, XP, MX; Osram Dragon	.39	.36	.31	.26
962-10461	1	4	0.8	10048, 10124, 10108, 10260, 10049, 10224, 10234, 10391, 10392, 10393, 10394, 10395	Osram Ostar; Nichia WSW6W083; Ledengin 3W; Avago Jade	.39	.36	.31	.26
962-10462	1	4	0.8	10048, 10124, 10108, 10260, 10049, 10224, 10234	Luxeon Rebel, Rebel; Cree XP-E; SSC P5-II, Z5; Osram Osion SSL; Nichia NCSL119-H3; LedEngin 5W, 10W; Everlight Shuen	.39	.36	.31	.26
962-10463	1	4	0.8	10048, 10124, 10108, 10260, 10049, 10224, 10234	Luxeon C; Cree XP-C	.39	.36	.31	.26
962-10466	1	4	0.8	10048, 10124, 10108, 10260, 10049, 10224, 10234, 10391, 10392, 10393, 10394, 10395	Cree MC-E, XB-D; SSC Z1;	.39	.36	.31	.26
962-10469	1	4	0.8	10391, 10392, 10393, 10394, 10395, 10396	SSC Acriche A2; Luminus SST-90; Avago Aveon, Moonstone	.39	.36	.31	.26
962-10512	1	0	-	10194, 10195, 10209, 10196, 10197, 10198, 10208, 10193	Cree MC-E	.39	.36	.31	.26
962-10566	1	0	-	10194, 10195, 10209, 10196, 10197, 10198, 10208, 10193, 10255	Cree XP-E; Nichia NFSW036; SSC Z5	.39	.36	.31	.26
962-10731	1	4	0.8	10194, 10195, 10209, 10196, 10197, 10198, 10208, 10193, 10170, 10003, 10138, 10003/15, 10139, 10003/25, 10140, 10003/L25, 10192	Nichia NCSL119-H3; LedEngin 3W; Avago Jade	.39	.36	.31	.26
962-10732	1	4	0.8	10003, 10138, 10003/15, 10139, 10003/25, 10140, 10003/25, 10140, 10003/L25, 10192	Osram Osion SSL; Everlight Shuen; Lumileds Luxeon C; Cree XP-C, XB-D, XT-E; SSC Z5P	.39	.36	.31	.26
962-10733	1	4	0.8	10003, 10138, 10003/15, 10139, 10003/25, 10140, 10003/L25, 10192	Cree XM-L, XB-D, XT-E	.39	.36	.31	.26
962-10734	1	4	0.8	10170, 10003, 10138, 10003/15, 10139, 10003/25, 10140, 10003/L25, 10192, 10374	Cree XP-E, XP-G	.39	.36	.31	.26
962-10736	1	4	0.8	10200, 10201, 10003, 10138, 10003/15, 10139, 10003/25, 10140, 10003/L25, 10192	SSC P5-II, Z1	.39	.36	.31	.26
962-10737	1	4	0.8	10003, 10138, 10003/15, 10139, 10003/25, 10140, 10003/L25, 10192	Cree MX-6	.39	.36	.31	.26
962-10743	1	4	0.8	10194, 10195, 10209, 10196, 10197, 10198, 10208, 10193	SSC Acriche A2	.39	.36	.31	.26
962-10745	1	4	0.8	10199, 10200, 10210, 10201, 10211, 10202, 10203, 10204	Avago Aveon, Moonstone	.39	.36	.31	.26
962-10750	1	4	1.2	10194, 10195, 10209, 10196, 10197, 10198, 10208, 10193	Cree XP-E	.39	.36	.31	.26
962-10962	1	4	1.5	10755, 10756, 10757, 10758, 10759	Cree XM-L, MT-G; Lumileds Luxeon M	.87	.80	.68	.58

LMR4 MODULES

For quantities greater than listed, call for quote.

MOUSER STOCK NO.	Cree Part No.	Color	Color Temp (K)	Lf (Nom.)	CRI	Diameter (mm)	Price Each	
							1	10
941-LMR040100027F920	LMR040-1000-27F9-20100TW	Warm White	2700	1000	90	103.4	61.19	55.41
941-LMR040070030F910	LMR040-0700-30F9-10100TW	Warm White	3000	700	90	103.4	58.21	52.70
941-LMR040070030F920	LMR040-0700-30F9-20100TW	Warm White	3000	700	90	103.4	58.21	52.70
941-LMR040100030F910	LMR040-1000-30F9-10100TW	Warm White	3000	1000	90	103.4	61.19	55.41
941-LMR040100030F920	LMR040-1000-30F9-20100TW	Warm White	3000	1000	90	103.4	61.19	55.40
941-LMR040070035F920	LMR040-0700-35F9-20100TW	Neutral White	3500	700	90	103.4	58.21	52.70
941-LMR040100035F920	LMR040-1000-35F9-20100TW	Neutral White	3500	1000	90	103.4	61.19	55.41
941-LMR040100040F910	LMR040-1000-40F9-10100TW	Neutral White	4000	1000	90	103.4	61.19	55.40
941-LMR040100040F920	LMR040-1000-40F9-20100TW	Neutral White	4000	1000	90	103.4	61.19	55.41

LMR2 MODULES

For quantities greater than listed, call for quote.

MOUSER STOCK NO.	Cree Part No.	Color	Color Temp (K)	Lf (Nom.)	CRI	Diameter (mm)	Price Each	
							1	10
941-LMR020065027F910	LMR020-0650-27F9-10100TW	Warm White	2700	650	90	88.2	49.25	44.59
941-LMR020065027F920	LMR020-0650-27F9-20100TW	Warm White	2700	650	90	88.2	49.25	44.59
941-LMR020065030F920	LMR020-0650-30F9-20100TW	Warm White	3000	650	90	88.2	49.25	44.59
941-LMR020065035F910	LMR020-0650-35F9-10100TW	Neutral White	3500	650	90	88.2	49.25	44.59
941-LMR020065035F920	LMR020-0650-35F9-20100TW	Neutral White	3500	650	90	88.2	49.25	44.59
941-LMR020065040F910	LMR020-0650-40F9-10100TW	Neutral White	4000	650	90	88.2	49.25	44.59
941-LMR020065040F920	LMR020-0650-40F9-20100TW	Neutral White	4000	650	90	88.2	49.25	44.59

LMH2 MODULES

For quantities greater than listed, call for quote.

MOUSER STOCK NO.	Cree Part No.	Color	Color Temp (K)	Lf (Nom.)	CRI	Diameter (mm)	Price Each	
							1	10
941-LMH20085027G90SS	LMH020-0850-27G9-00000SS	Warm White	2700	850	90	88.2	29.85	27.03
941-LMH20125027G90SS	LMH020-1250-27G9-00000SS	Warm White	2700	1250	90	88.2	35.07	31.76
941-LMH020125027G9TW	LMH020-1250-27G9-00000TW	Warm White	2700	1250	90	88.2	29.85	27.03
941-LMH20200027G90SS	LMH020-2000-27G9-00000SS	Warm White	2700	2000	90	88.2	44.78	40.54
941-LMH020200027G9TW	LMH020-2000-27G9-00000TW	Warm White	2700	2000	90	88.2	37.31	33.78
941-LMH20300027G90SS	LMH020-3000-27G9-00000SS	Warm White	2700	3000	90	88.2	56.72	51.35
941-LMH020300027G9TW	LMH020-3000-27G9-00000TW	Warm White	2700	3000	90	88.2	47.76	43.24
941-LMH020085030G9TW	LMH020-0850-30G9-00000TW	Warm White	3000	850	90	88.2	25.37	22.97
941-LMH020125030G9TW	LMH020-1250-30G9-00000TW	Warm White	3000	1250	90	88.2	29.85	27.03
941-LMH02020003090TW	LMH020-2000-30G9-00000TW	Warm White	3000	2000	90	88.2	37.31	33.78
941-LMH02030003090TW	LMH020-3000-30G9-00000TW	Warm White	3000	3000	90	88.2	47.76	43.24
941-LMH02040003090TW	LMH020-4000-30G9-00000TW	Warm White	3000	4000	90	88.2	61.19	55.40
941-LMH20600030G90TW	LMH020-6000-30G9-00000TW	Warm White	3000	6000	90	88.2	82.09	74.32
941-LMH020085035G9TW	LMH020-0850-35G9-00000TW	Warm White	3500	850	90	88.2	25.37	22.97
941-LMH020125035G9TW	LMH020-1250-35G9-00000TW	Warm White	3500	1250	90	88.2	29.85	27.03
941-LMH02020003590TW	LMH020-2000-35G9-00000TW	Warm White	3500	2000	90	88.2	37.31	33.78
941-LMH02030003590TW	LMH020-3000-35G9-00000TW	Warm White	3500	3000	90	88.2	47.76	43.24
941-LMH02040003590TW	LMH020-4000-35G9-00000TW	Warm White	3500	4000	90	88.2	61.19	55.40
941-LMH20600035G90TW	LMH020-6000-35G9-00000TW	Warm White	3500	6000	90	88.2	82.09	74.32
941-LMH020085027G9TW	LMH020-0850-27G9-00000TW	Warm White	2700	850	90	88.2	25.37	22.97
941-LMH02020004090TW	LMH020-2000-40G9-00000TW	Warm White	4000	2000	90	88.2	37.31	33.78
941-LMH02030004090TW	LMH020-3000-40G9-00000TW	Warm White	4000	3000	90	88.2	47.76	43.24
941-LMH02040004090TW	LMH020-4000-40G9-00000TW	Warm White	4000	4000	90	88.2	61.19	55.40
941-LMH20600040G90TW	LMH020-6000-40G9-00000TW	Warm White	4000	6000	90	88.2	82.09	74.32
941-LMH20085027G91SS	LMH020-0850-27G9-00001SS	Warm White	2700	850	90	88.2	29.85	27.02
941-LMH02008502791TW	LMH020-0850-27G9-00001TW	Warm White	2700	850	90	88.2	25.37	22.97
941-LMH20125027G91SS	LMH020-1250-27G9-00001SS	Warm White	2700	1250	90	88.2	35.07	31.76
941-LMH02012502791TW	LMH020-1250-27G9-00001TW	Warm White	2700	1250	90	88.2	29.85	27.03
941-LMH20200027G91SS	LMH020-2000-27G9-00001SS	Warm White	2700	2000	90	88.2	44.77	40.54
941-LMH02020002791TW	LMH020-2000-27G9-00001TW	Warm White	2700	2000	90	88.2	37.31	33.78
941-LMH20300027G91SS	LMH020-3000-27G9-00001SS	Warm White	2700	3000	90	88.2	56.72	51.35
941-LMH02030002791TW	LMH020-3000-27G9-00001TW	Warm White	2700	3000	90	88.2	47.76	43.24
941-LMH02008503091TW	LMH020-0850-30G9-00001TW	Warm White	3000	850	90	88.2	25.37	22.97
941-LMH02012503091TW	LMH020-1250-30G9-00001TW	Warm White	3000	1250	90	88.2	29.85	27.03
941-LMH02020003091TW	LMH020-2000-30G9-00001TW	Warm White	3000	2000	90	88.2	37.31	33.78
941-LMH02030003091TW	LMH020-3000-30G9-00001TW	Warm White	3000	3000	90	88.2	47.76	43.24
941-LMH02008503591TW	LMH020-0850-35G9-00001TW	Warm White	3500	850	90	88.2	25.37	22.97
941-LMH02012503591TW	LMH020-1250-35G9-00001TW	Warm White	3500	1250	90	88.2	29.85	27.03
941-LMH02020003591TW	LMH020-2000-35G9-00001TW	Warm White	3500	2000	90	88.2	37.31	33.78
941-LMH02030003591TW	LMH020-3000-35G9-00001TW	Warm White	3500	3000	90	88.2	47.76	43.24
941-LMH02008504091TW	LMH020-0850-40G9-00001TW	Warm White	4000	850	90	88.2	25.37	22.97
941-LMH02012504091TW	LMH020-1250-40G9-00001TW	Warm White	4000	1250	90	88.2	29.85	27.03
941-LMH02020004091TW	LMH020-2000-40G9-00001TW	Warm White	4000	2000	90	88.2	37.31	33.78
941-LMH02030004091TW	LMH020-3000-40G9-00001TW	Warm White	4000	3000	90	88.2	47.76	43.24

Accessories

MOUSER STOCK NO.	Cree Part No.	Description	Price Each
941-LMD300CA0000001	LMD300-CA00-0000-0000001	LMH2 Plastic Plate Cover	1.12
941-LMD60100C1A77030	LMD600-0100-C1A77-7030000	LMH2-6000, 120V-277V, 1700mA Power Supply	56.72
941-LMH020HS061	LMH020-HS00-0000-0000061	LMH2-850, 1250, 2000, 3000, 4000, 6000 - Dia. 138mm, Height 100mm Heat Sink	29.85
941-LMH020HS002	LMH020-HS00-0000-0000002	LMH2-850, 1250, 2000, 3000, 4000 - Dia. 110mm, Height 55mm Heat Sink	13.44

LED MODULE DRIVERS

For quantities greater than listed, call for quote.

MOUSER STOCK NO.	Cree Part No.	Series	Input Voltage (VAC)	Output Current (typ)	Dimming	Lowest Light Level	Price Each	
							1	10
941-LMD1250018C44011	LMD125-0018-C440-1010000	LMD125	120	440	TRIAC	0.05	17.91	16.22
941-LMD1250018C44021	LMD125-0018-C440-2010000	LMD125	230	440	TRIAC	0.05	17.91	16.22
941-LMD30040C9002020	LMD300-0040-C900-2020000	LMD125	230	900	DALI+ Touch	0.10	31.34	28.38
941-LMD1250017C44030	LMD125-0017-C440-3000000	LMD125	277	440	-	-	17.91	16.22
941-LMD30040C9007030	LMD300-0040-C900-7030000	LMD125	277	900	0/1-10V	0.10	26.87	24.32
941-LMD40048C9407030	LMD400-0048-C940-7030000	LMD400	240	940	DALI+ Touch	5	34.33	31.09

EVALUATION KITS

For quantities greater than listed, call for quote.

MOUSER STOCK NO.	Cree Part No.	Lf (Nom.)	Color Temp (K)	CRI	Description	Price Each
941-LMR040070027F91K	LMR040-0700-27F9-1KIT	700	2700	> 90	2 module TrueWhite	200.00
941-LMR040070027F92K	LMR040-0700-27F9-2KIT	700	2700	> 90	2 module TrueWhite	200.00
941-LMR0400700CCF91K	LMR040-0700-CCF9-1KIT4X	700	2700, 3000, 3500, 4000	80 & 90 mix	4 module Multi-pack, Mix of TW and EW CCTs	300.00
941-LMR0400700CCF92K	LMR040-0700-CCF9-2KIT4X	700	2700, 3000, 3500, 4000	80 & 90 mix	4 module Multi-pack, Mix of TW and EW CCTs	300.00
941-LMR0200650CCF92K	LMR020-0650-CCF9-2KIT2X	650	27,004,000	> 90	2 module LMR2 TrueWhite Evaluation Kit	200.00
941-LMR0401000CCF91K	LMR040-1000-CCF9-1KIT2X	1000	2700, 3500 or 4000	90	2 module LMR4 TrueWhite Evaluation Kit	200.00
941-LMR0401000CCF92K	LMR040-1000-CCF9-2KIT2X	1000	30,004,000	90	2 module LMR4 TrueWhite Evaluation Kit	200.00

XLAMP CXA1507 SERIES

- Features:**
- Forward Voltage: 37V
 - Max. Drive Current: 375mA
 - Viewing Angle: 115°
 - Top-side solder connections
 - Thermocouple attach point
 - NEMA SSL-3 2011 standard flux bins

For quantities greater than listed, call for quote.

MOUSER STOCK NO.	Cree Part No.	Fig.	Color	CCT Range (K)	Luminous Flux. (lm) Typical	Price Each		
						1	50	100
941-CXA1507N0UD427H	CXA1507-0000-000N0UD427H	A	Warm White	2700	550	8.23	7.60	6.34
941-CXA1507N0F427H	CXA1507-0000-000N0F427H	A	Warm White	2700	730	8.46	7.82	6.52
941-CXA1507N0UE230H	CXA1507-0000-000N0UE230H	A	Warm White	3000	590	8.23	7.60	6.34
941-CXA1507N0F430H	CXA1507-0000-000N0F430H	A	Warm White	3000	730	7.53	6.95	5.80
941-CXA1507N0HF440H	CXA1507-0000-000N0HF440H	A	Neutral White	4000	730	8.23	7.60	6.34
941-CXA1507N0G440H	CXA1507-0000-000N0G440H	A	Neutral White	4000	840	8.46	7.82	6.52
941-CXA1507N0G235H	CXA1507-0000-000N0G235H	A	Neutral White	3500	780	8.46	7.82	6.52
941-CXA1507N0HF450H	CXA1507-0000-000N0HF450H	A	Cool White	5000	730	8.23	7.60	6.34
941-CXA1507N0G450H	CXA1507-0000-000N0G450H	A	Cool White	5000	840	7.53	6.95	5.80

XLAMP CXA1512 SERIES

- Features:**
- Forward Voltage: 37V
 - Max. Drive Current: 500mA
 - Viewing Angle: 115°
 - Top-side solder connections
 - Thermocouple attach point
 - NEMA SSL-3 2011 standard flux bins

For quantities greater than listed, call for quote.

941-CXA1512N00K427H	CXA1512-0000-000N00K427H	A	Warm White	2700	1120	13.76	12.71	10.60
941-CXA1512N00K430H	CXA1512-0000-000N00K430H	A	Warm White	3000	1290	12.20	11.27	9.40
941-CXA1512N00M235H	CXA1512-0000-000N00M235H	A	Neutral White	3500	1200	13.76	12.71	10.60
941-CXA1512N00M440H	CXA1512-0000-000N00M440H	A	Neutral White	4000	1290	13.76	12.71	10.60
941-CXA1512N00HM240H	CXA1512-0000-000N00HM240H	A	Neutral White	4000	1380	13.76	12.71	10.60
941-CXA1512N00HM250H	CXA1512-0000-000N00HM250H	A	Cool White	5000	1380	12.20	11.27	9.40
941-CXA1512N00M450H	CXA1512-0000-000N00M450H	A	Cool White	5000	1485	12.20	11.27	9.40

XLAMP CXA1520 SERIES

- Features:**
- Forward Voltage: 35V
 - Viewing Angle: 115°
 - Thermocouple attach point
 - Max Drive Current: 900mA
 - Top-side solder connections
 - NEMA SSL-3 2011 standard flux bins

For quantities greater than listed, call for quote.

941-CXA1520N00N430F	CXA1520-0000-000N00N430F	A	Warm White	3000	1710	21.00	19.41	17.86
941-CXA1520N00P250F	CXA1520-0000-000N00P250F	A	Cool White	5000	1830	20.00	18.48	17.01

XLAMP CXA1820 SERIES

- Features:**
- Forward Voltage: 37V
 - Viewing Angle: 115°
 - Thermocouple attach point
 - Max Drive Current: 1050mA
 - Top-side solder connections
 - NEMA SSL-3 2011 standard flux bins

For quantities greater than listed, call for quote.

941-CXA1820N00Q230F	CXA1820-0000-000N00Q230F	B	Warm White	3000	2100	17.66	16.31	13.60
941-CXA1820N00Q450F	CXA1820-0000-000N00Q450F	B	Cool White	5000	2260	16.36	15.11	12.60

XLAMP CXA2011 SERIES

- Features:**
- Forward Voltage: 40V
 - Max. Drive Current: 100mA
 - Viewing Angle: 120°
 - Top-side solder connections
 - Thermocouple attach point
 - NEMA SSL-3 2011 standard flux bins

For quantities greater than listed, call for quote.

941-CXA2011P00G00E8	CXA2011-0000-000P00G00E8	C	ANSI White	2700	780	21.42	19.79	16.50
941-CXA2011P00G027F	CXA2011-0000-000P00G027F	C	Easy White	2700	780	22.72	20.99	17.50
941-CXA2011P00G027H	CXA2011-0000-000P00G027H	C	Easy White	2700	780	26.88	24.83	20.70
941-CXA2011P00UG030H	CXA2011-0000-000P00UG030H	C	Warm White	3000	780	27.66	25.55	21.30
941-CXA2011P00H00E7	CXA2011-0000-000P00H00E7	C	ANSI White	3000	900	22.07	20.39	17.00
941-CXA2011P00H030F	CXA2011-0000-000P00H030F	C	Easy White	3000	900	23.37	21.59	18.00
941-CXA2011P00H030H	CXA2011-0000-000P00H030H	C	Easy White	3000	900	27.66	25.55	21.30
941-CXA2011P00H035F	CXA2011-0000-000P00H035F	C	Easy White	3500	900	22.72	20.99	17.50
941-CXA2011P00H035H	CXA2011-0000-000P00H035H	C	Neutral White	3500	900	26.88	24.83	20.70
941-CXA2011P00H00E5	CXA2011-0000-000P00H00E5	C	ANSI White	4000	900	21.42	19.79	16.50
941-CXA2011P00H040F	CXA2011-0000-000P00H040F	C	Easy White	4000	900	22.72	20.99	17.50
941-CXA2011P00H040H	CXA2011-0000-000P00H040H	C	Neutral White	4000	900	26.88	24.83	20.70
941-CXA2011P00J00E3	CXA2011-0000-000P00J00E3	C	ANSI White	5000	1040	22.07	20.39	17.00
941-CXA2011P00J050F	CXA2011-0000-000P00J050F	C	Easy White	5000	1040	23.37	21.59	18.00
941-CXA2011P00J050H	CXA2011-0000-000P00J050H	C	Cool White	5000	1040	27.66	25.55	21.30

XLAMP CXA2520 SERIES

- Features:**
- Forward Voltage: 36V
 - Max. Drive Current: 1250mA
 - Viewing Angle: 115°
 - Top-side solder connections
 - Thermocouple attach point
 - NEMA SSL-3 2011 standard flux bins

For quantities greater than listed, call for quote.

941-CXA2520N0UN227H	CXA2520-0000-000N0UN227H	D	Warm White	2700	1590	21.03	19.43	16.20
941-CXA2520N00Q227H	CXA2520-0000-000N00Q227H	D	Warm White	2700	2100	23.89	22.07	18.40
941-CXA2520N0UN430H	CXA2520-0000-000N0UN430H	D	Warm White	3000	1710	21.03	19.43	16.20
941-CXA2520N00Q230H	CXA2520-0000-000N00Q230H	D	Warm White	3000	2100	21.03	19.43	16.20
941-CXA2520N00Q435H	CXA2520-0000-000N00Q435H	D	Neutral White	3500	2260	23.89	22.07	18.40
941-CXA2520N0HQ440H	CXA2520-0000-000N0HQ440H	D	Neutral White	4000	2260	21.03	19.43	16.20
941-CXA2520N00R240H	CXA2520-0000-000N00R240H	D	Neutral White	4000	2420	23.89	22.07	18.40
941-CXA2520N0HQ450H	CXA2520-0000-000N0HQ450H	D	Cool White	5000	2260	21.03	19.43	16.20
941-CXA2520N00R250H	CXA2520-0000-000N00R250H	D	Cool White	5000	2420	21.03	19.43	16.20

XLAMP CXA2530 SERIES

- Features:**
- Forward Voltage: 37V
 - Max. Drive Current: 1500mA
 - Viewing Angle: 115°
 - Top-side solder connections
 - Thermocouple attach point
 - NEMA SSL-3 2011 standard flux bins

For quantities greater than listed, call for quote.

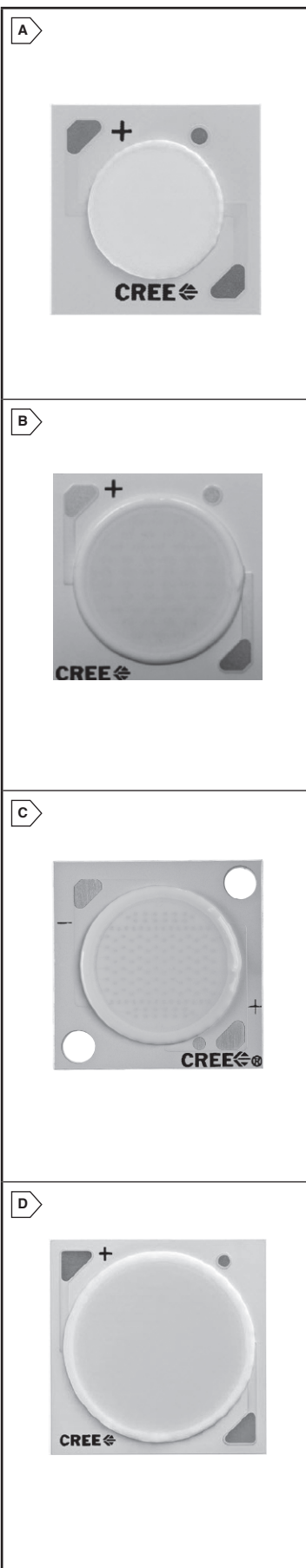
941-CXA2530N0UQ427H	CXA2530-0000-000N0UQ427H	D	Warm White	2700 K	2260	30.90	28.55	23.80
941-CXA2530N0UR430H	CXA2530-0000-000N0UR430H	D	Warm White	3000 K	2600	36.62	33.83	28.20
941-CXA2530N00T227H	CXA2530-0000-000N00T227H	D	Warm White	2700 K	3200	36.62	33.83	28.20
941-CXA2530N00T230H	CXA2530-0000-000N00T230H	D	Warm White	3000 K	3200	30.90	28.55	23.80
941-CXA2530N0HT240H	CXA2530-0000-000N0HT240H	D	Neutral White	4000 K	3200	36.62	33.83	28.20
941-CXA2530N00T435H	CXA2530-0000-000N00T435H	D	Neutral White	3500 K	3440	36.62	33.83	28.20
941-CXA2530N00U240H	CXA2530-0000-000N00U240H	D	Neutral White	4000 K	3680	36.62	33.83	28.20
941-CXA2530N0HT450H	CXA2530-0000-000N0HT450H	D	Cool White	5000 K	3440	36.62	33.83	28.20
941-CXA2530N00U250H	CXA2530-0000-000N00U250H	D	Cool White	5000 K	3680	36.62	33.83	28.20

XLAMP CXA3070 SERIES

- Features:**
- Forward Voltage: 38.5V
 - Viewing Angle: 115°
 - Thermocouple attach point
 - Max Drive Current: 2800mA
 - Top-side solder connections
 - NEMA SSL-3 2011 standard flux bins

For quantities greater than listed, call for quote.

941-CXA3070N00Z240F	CXA3070-0000-000N00Z240F	D	Neutral White	4000	7390	38.00	35.12	32.31
941-CXA3070N00Z450F	CXA3070-0000-000N00Z450F	D	Cool White	5000	7945	38.00	35.12	32.31



XLAMP CXA2540 SERIES

Features:

- Forward Voltage: 37V
- Maximum drive current: 2100mA
- Viewing Angle: 115°

For quantities greater than listed, call for quote.

MOUSER STOCK NO.	Cree Part No.	Fig.	Color	CCT Range (K)	Luminous Flux. (lm)	Price Each		
						1	50	100
941-CXA2540N00U427F	CXA2540-0000-000N00U427F	A	Warm White	2700	4420	36.36	33.59	28.00
941-CXA2540N00V230F	CXA2540-0000-000N00V230F	A	Warm White	3000	4728	36.36	33.59	28.00
941-CXA2540N00V235F	CXA2540-0000-000N00V235F	A	Neutral White	3500	4728	36.36	33.59	28.00
941-CXA2540N0HV440F	CXA2540-0000-000N0HV440F	A	Neutral White	4000	5080	41.55	38.39	32.00
941-CXA2540N0HW250F	CXA2540-0000-000N0HW250F	A	Cool White	5000	5432	41.55	38.39	32.00

XLAMP CXA3050 SERIES

Features:

- Forward Voltage: 37V
- Maximum Drive Current: 2500mA
- Viewing Angle: 115°
- Top-side solder connections
- Thermocouple Attach Point
- NEMA SSL-3 2011 standard flux bins

For quantities greater than listed, call for quote.

MOUSER STOCK NO.	Cree Part No.	Fig.	Color	CCT Range (K)	Luminous Flux. (lm)	Price Each		
						1	50	100
941-CXA3050N00W227F	CXA3050-0000-000N00W227F	A	Warm White	2700	5477	36.00	33.27	30.61
941-CXA3050N00W430F	CXA3050-0000-000N00W430F	A	Neutral White	3000	5888	36.00	33.27	30.61
941-CXA3050N00W435F	CXA3050-0000-000N00W435F	A	Neutral White	3500	5888	36.00	33.27	30.61
941-CXA3050N0HW440F	CXA3050-0000-000N0HW440F	A	Neutral White	4000	5888	36.00	33.27	30.61
941-CXA3050N0HX250F	CXA3050-0000-000N0HX250F	A	Cool White	5000	6299	46.75	43.19	36.00

XLAMP MC-E SERIES

Features:

- Forward Current (Max.): 700mA per LED die
- Forward Voltage (white die) @ 700mA: 3.4V
- Forward Voltage (color die) @ 700mA: 2.3-3.7V
- Individually addressable LEDs

For quantities greater than listed, call for quote.

RGBW LEDs								
MOUSER STOCK NO.	Cree Part No.	Fig.	Color	CCT Range (K)	Luminous Flux. (lm)	Price Each		
						1	50	100
941-MCE4CTA20A4AAAB1	MCE4CT-A2-0000-00A4AAAB1	B	Red Green Blue Neutral White	620-630nm 520-535nm 450-465nm 3700-4300	30.6 67.2 8.2 80	20.00	18.47	17.70
941-MCE4CTA20A5AAAA1	MCE4CT-A2-0000-00A5AAAA1	B	Red Green Blue Cool White	620-630nm 520-535nm 450-465nm 5700-7000	30.6 67.2 8.2 100	20.00	18.47	17.70
White LEDs								
941-MCE4WTA2000HE7	MCE4WT-A2-0000-000HE7	B	Warm White	2600-3700	280	14.28	13.19	12.64
941-MCE4WTA2000JE5	MCE4WT-A2-0000-000JE5	B	Neutral White	3700-5000	320	14.28	13.19	12.64
941-MCEEZWA1000H035F	MCEEZW-A1-0000-0000H035F	B	Easy White	3500	280	15.14	13.99	13.40
941-MCEEZWA1000H035H	MCEEZW-A1-0000-0000H035H	B	Easy White	3500	280	16.85	15.57	14.92
941-MCEEZWA1000J040F	MCEEZW-A1-0000-0000J040F	B	Easy White	4000	320	15.71	14.51	13.91
941-MCEEZWA1000J040H	MCEEZW-A1-0000-0000J040H	B	Easy White	4000	320	17.71	16.36	15.68
941-MCEEZWA1000K040F	MCEEZW-A1-0000-0000K040F	B	Easy White	4000	370	19.42	17.95	17.20
941-MCEEZWA1000K040H	MCEEZW-A1-0000-0000K040H	B	Easy White	4000	370	21.71	20.06	19.22
941-MCE4WTA2000M01	MCE4WT-A2-0000-000M01	B	Cool White	5000-10000	430	16.57	15.31	14.67

XLAMP MH-8

Features:

- Light output: Up to 830lm @ 7W
- Typical Forward Voltage @ 0.12A: 37V
- Viewing angle: 115°

For quantities greater than listed, call for quote.

MOUSER STOCK NO.	Cree Part No.	Fig.	Color	CCT Range (K)	Luminous Flux. (lm) Typical	Price Each		
						1	50	100
941-MHBAWT00N0HC227F	MHBAWT-0000-000N0HC227F	C	Warm White	2700K	440	2.07	1.92	1.84
941-MHBAWT00N0HC230F	MHBAWT-0000-000N0HC230F	C	Warm White	3000K	440	2.07	1.92	1.84
941-MHBAWT00N0HC235F	MHBAWT-0000-000N0HC235F	C	Warm White	3500K	440	2.07	1.92	1.84
941-MHBAWT00N0HC240F	MHBAWT-0000-000N0HC240F	C	Neutral White	4000K	440	2.07	1.92	1.84
941-MHBAWT00N0HC450F	MHBAWT-0000-000N0HC450F	C	Cool White	5000K	475	2.13	1.96	1.88
941-MHBAWT00N0HC457F	MHBAWT-0000-000N0HC457F	C	Cool White	5700K	475	2.18	2.01	1.93
941-MHBAWT00N0HC465F	MHBAWT-0000-000N0HC465F	C	Cool White	6500K	475	2.23	2.06	1.97

XLAMP MT-G SERIES EASYWHITE™ LEDS

Features:

- Max. Operating Power: 25W
- Voltage Options: 6V, 36V
- Effective Thermal Resistance: 1.5°C/W
- High lumen density: 1550 lumens @ 25W @ 85°C
- Viewing Angle: 120°
- Minimum 80CRI @ 2700K and 3000K CCT

For quantities greater than listed, call for quote.

MOUSER STOCK NO.	Cree Part No.	Fig.	CCT Range (K)	Luminous Flux. (lm) Typical	Price Each		
					1	50	100
941-MTGEZW01B00E027F	MTGEZW-01-0000-0B00E027F	D	2700	440	17.42	16.10	13.42
941-MTGEZW01B00E027H	MTGEZW-01-0000-0B00E027H	D	2700	440	18.57	17.15	14.30
941-MTGEZW01B00F030F	MTGEZW-01-0000-0B00F030F	D	3000	480	17.42	16.10	13.42
941-MTGEZW01B00F030H	MTGEZW-01-0000-0B00F030H	D	3000	480	18.57	17.15	14.30
941-MTGEZW01B00F035F	MTGEZW-01-0000-0B00F035F	D	3500	480	17.42	16.10	13.42
941-MTGEZW01B00G040F	MTGEZW-01-0000-0B00G040F	D	4000	520	17.42	16.10	13.42

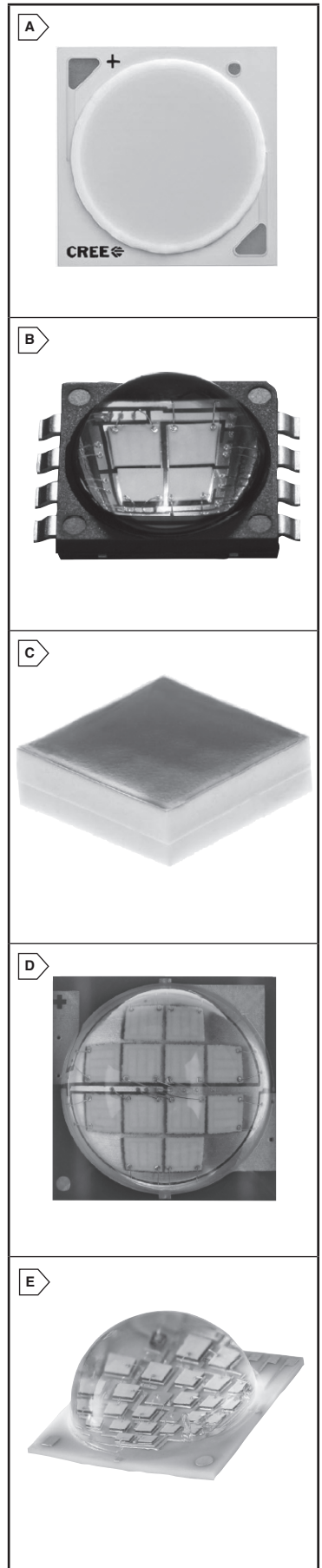
XLAMP MP-L SERIES EASYWHITE™ LEDS

Features:

- High lumen density
- Wide Viewing Angle: 125°
- Color: EasyWhite™

For quantities greater than listed, call for quote.

MOUSER STOCK NO.	Cree Part No.	Fig.	CCT Range (K)	Luminous Flux. (lm) Typical	Price Each		
					1	50	100
941-MPLEZWA1R10B027F	MPLZEW-A1-R100-0000B027F	E	2700	700	25.01	23.11	19.26
941-MPLEZWA1R10B027H	MPLZEW-A1-R100-0000B027H	E	2700	700	27.58	25.48	21.24
941-MPLEZWA1R10C030F	MPLZEW-A1-R100-0000C030F	E	3000	800	28.00	25.87	21.56
941-MPLEZWA1R10C030H	MPLZEW-A1-R100-0000C030H	E	3000	800	30.72	28.39	23.66
941-MPLEZWA1R10C035F	MPLZEW-A1-R100-0000C035F	E	3500	800	28.00	25.87	21.56
941-MPLEZWA1R10E040F	MPLZEW-A1-R100-0000E040F	E	4000	1000	28.00	25.87	21.56



XLAMP MK-R

Features:

- Forward Voltage: 11.7V
- Viewing Angle: 120°
- Forward Current: 700mA

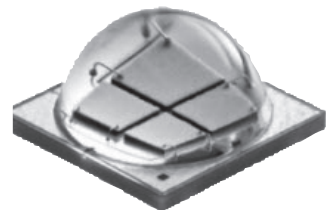
Applications:

- Directional
- Low- & high-bay
- Roadway and Parking

For quantities greater than listed, call for quote.

MOUSER STOCK NO.	Cree Part No.	Fig.	Color	CCT Range (K)	Luminous Flux. (lm) Typical	Price Each		
						1	50	100
941-MKRAWT20D0UD40E8	MKRAWT-02-0000-0D0UD40E8	A	Warm White	2700	550	8.00	7.39	7.08
941-MKRAWT20D0UE227H	MKRAWT-02-0000-0D0UE227H	A	Warm White	2700	590	10.57	9.76	9.36
941-MKRAWT20D0HG227H	MKRAWT-02-0000-0D0HG227H	A	Warm White	2700	780	10.57	9.76	9.36
941-MKRAWT20D0UE40E7	MKRAWT-02-0000-0D0UE40E7	A	Warm White	3000	635	9.58	8.85	8.48
941-MKRAWT20D0UE430H	MKRAWT-02-0000-0D0UE430H	A	Warm White	3000	635	11.01	10.17	9.75
941-MKRAWT20B0HG430H	MKRAWT-02-0000-0B0HG430H	A	Warm White	3000	840	10.57	9.76	9.36
941-MKRAWT20D0HG430H	MKRAWT-02-0000-0D0HG430H	A	Warm White	3000	840	10.57	9.76	9.36
941-MKRAWT20D0HH240H	MKRAWT-02-0000-0D0HH240H	A	Neutral White	3500	900	11.01	10.17	9.75
941-MKRAWT20D0HH235H	MKRAWT-02-0000-0D0HH235H	A	Neutral White	3500	900	11.29	10.43	10.00
941-MKRAWT20B0HH240H	MKRAWT-02-0000-0B0HH240H	A	Neutral White	4000	900	11.01	10.17	9.75
941-MKRAWT20D0HH20E5	MKRAWT-02-0000-0D0HH20E5	A	Neutral White	4000	900	9.58	8.85	8.48
941-MKRAWT20D0BH40E4	MKRAWT-02-0000-0D0BH40E4	A	Neutral White	4500	970	9.58	8.85	8.48
941-MKRAWT20D0HH250H	MKRAWT-02-0000-0D0HH250H	A	Cool White	5000	900	10.57	9.76	9.36
941-MKRAWT20D0BH40E3	MKRAWT-02-0000-0D0BH40E3	A	Cool White	5000	970	9.14	8.44	8.09
941-MKRAWT20D0J20E2	MKRAWT-02-0000-0D0J20E2	A	Cool White	5700	1040	10.15	9.38	8.99
941-MKRAWT20D0J20E1	MKRAWT-02-0000-0D0J20E1	A	Cool White	6200	1040	9.14	8.44	8.09
941-MKRAWT20D0J20E1	MKRAWT-02-0000-0D0J20E1	A	Cool White	6500	1040	10.15	9.38	8.99

A



XLAMP MK-R2

Features:

- Max. Drive Current: 420mA
- Viewing Angle: 120°
- Low Thermal Resistance: 1.7°C/W

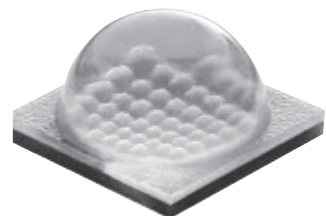
Applications:

- Directional
- Track
- Low & High-bay
- Accent
- Roadway & Parking
- Lamp Retrofit

For quantities greater than listed, call for quote.

941-MKRBWT20N0HG230H	MKRBWT-02-0000-0N0HG230H	B	Warm White	3000	780	9.71	8.97	8.60
941-MKRBWT20N0HG430H	MKRBWT-02-0000-0N0HG430H	B	Warm White	3000	840	11.58	10.70	10.25

B



XLAMP MX-3 SERIES

Enhanced light uniformity and LED-to-LED color consistency

Features:

- Forward Current (max.): 400mA
- Forward Voltage @ 350mA: 3.7

Applications:

- LED light bulbs
- Cove lighting and wall washing
- Under-cabinet lighting
- Retail and refrigerated display
- Fluorescent replacement

For quantities greater than listed, call for quote.

941-MX3AWTA1R25008E8	MX3AWT-A1-R250-0008E8	C	Warm White	2700	65-73.9	1.19	1.10	1.05
941-MX3AWTA1R25009E8	MX3AWT-A1-R250-0009E8	C	Warm White	2700	70-80.6	1.32	1.22	1.17
941-MX3AWTA1R25009E7	MX3AWT-A1-R250-0009E7	C	Warm White	3000	70-80.6	1.19	1.10	1.05
941-MX3AWTA1R2500AE7	MX3AWT-A1-R250-000AE7	C	Warm White	3000	76-87.4	1.32	1.22	1.17
941-MX3AWTA1R2500AE5	MX3AWT-A1-R250-000AE5	C	Warm White	4000	76-87.4	1.14	1.05	1.01
941-MX3AWTA1R2500BE5	MX3AWT-A1-R250-000BE5	C	Warm White	4000	82-93.9	1.19	1.10	1.05
941-MX3AWTA1R2500BE3	MX3AWT-A1-R250-000BE3	C	Cool White	5000	82-93.9	1.19	1.10	1.05
941-MX3AWTA1R2500CE3	MX3AWT-A1-R250-000CE3	C	Cool White	5000	87-100	1.32	1.22	1.17
941-MX3AWTA1R2500C51	MX3AWT-A1-R250-000C51	C	Cool White	6500	87-100	1.19	1.10	1.05
941-MX3AWTA1R2500D51	MX3AWT-A1-R250-000D51	C	Cool White	6500	93.9-107	1.32	1.22	1.17

XLAMP MX-3S SERIES

Enhanced light uniformity and LED-to-LED color consistency

Features:

- Forward Current (max.): 150mA
- Forward Voltage @ 115mA: 10.7VDC

Applications:

- LED light bulbs
- Cove lighting and wall washing
- Under-cabinet lighting
- Retail and refrigerated display
- Fluorescent replacement

For quantities greater than listed, call for quote.

941-MX3SWTA10008E8	MX3SWT-A1-0000-0008E8	C	Warm White	2700	73.9	1.19	1.10	1.05
941-MX3SWTA10009E8	MX3SWT-A1-0000-0009E8	C	Warm White	2700	80.6	1.32	1.22	1.17
941-MX3SWTA1000AE8	MX3SWT-A1-0000-000AE8	C	Warm White	2700	87.4	1.58	1.46	1.40
941-MX3SWTA1000AE7	MX3SWT-A1-0000-000AE7	C	Warm White	2900	87.4	1.32	1.22	1.17
941-MX3SWTA10009E7	MX3SWT-A1-0000-0009E7	C	Warm White	3000	80.6	1.19	1.10	1.05
941-MX3SWTA1000BE7	MX3SWT-A1-0000-000BE7	C	Warm White	3000	93.9	1.58	1.46	1.40
941-MX3SWTA1000AE5	MX3SWT-A1-0000-000AE5	C	Warm White	4000	87.4	1.14	1.05	1.01
941-MX3SWTA1000BE5	MX3SWT-A1-0000-000BE5	C	Warm White	4000	93.9	1.19	1.10	1.05
941-MX3SWTA1000CE5	MX3SWT-A1-0000-000CE5	C	Warm White	4000	100	1.32	1.22	1.17
941-MX3SWTA1000BE3	MX3SWT-A1-0000-000BE3	C	Cool White	5000	93.9	1.19	1.10	1.05
941-MX3SWTA1000CE3	MX3SWT-A1-0000-000CE3	C	Cool White	5000	100	1.32	1.22	1.17
941-MX3SWTA1000DE3	MX3SWT-A1-0000-000DE3	C	Cool White	5000	107	1.58	1.46	1.40
941-MX3SWTA1000C51	MX3SWT-A1-0000-000C51	C	Cool White	6500	100	1.81	1.68	1.61
941-MX3SWTA1000D51	MX3SWT-A1-0000-000D51	C	Cool White	6500	107	2.00	1.84	1.77
941-MX3SWTA1000E51	MX3SWT-A1-0000-000E51	C	Cool White	6500	114	2.23	2.06	1.97

C



XLAMP MX-6S SERIES

Designed for indoor LED lighting, with better color consistency and higher reliability than incumbent solutions.

Features:

- Forward Current (Max.): 175mA
- Forward Voltage @ 60mA: 20

Applications:

- Indoor commercial
- Kitchen under-cabinet
- Refrigerated display
- LED light bulbs
- Fluorescent replacement

For quantities greater than listed, call for quote.

941-MX6SWTA1000AE8	MX6SWT-A1-0000-000AE8	C	Warm White	2700	87.4	1.42	1.32	1.26
941-MX6SWTA1000BE8	MX6SWT-A1-0000-000BE8	C	Warm White	2700	93.9	1.50	1.39	1.33
941-MX6SWTA1000CE8	MX6SWT-A1-0000-000CE8	C	Warm White	2700	100	1.71	1.58	1.51
941-MX6SWTA1000CE7	MX6SWT-A1-0000-000CE7	C	Warm White	2900	100	1.50	1.39	1.33
941-MX6SWTA1000BE7	MX6SWT-A1-0000-000BE7	C	Warm White	3000	93.9	1.42	1.32	1.26
941-MX6SWTA1000CE5	MX6SWT-A1-0000-000CE5	C	Warm White	4000	100	1.42	1.32	1.26
941-MX6SWTA1000DE5	MX6SWT-A1-0000-000DE5	C	Warm White	4000	107	1.50	1.39	1.33
941-MX6SWTA1000EE5	MX6SWT-A1-0000-000EE5	C	Warm White	4000	114	1.71	1.58	1.51
941-MX6SWTA1R2500EE5	MX6SWT-A1-R250-000EE5	C	Warm White	4000	114	1.71	1.58	1.51
941-MX6SWTA1000DF4	MX6SWT-A1-0000-000DF4	C	Cool White	4750	107	1.42	1.32	1.26
941-MX6SWTA1000DE3	MX6SWT-A1-0000-000DE3	C	Cool White	5000	107	1.42	1.32	1.26
941-MX6SWTA1000EE3	MX6SWT-A1-0000-000EE3	C	Cool White	5000	114	1.50	1.39	1.33
941-MX6SWTA1R2500EE3	MX6SWT-A1-R250-000EE3	C	Cool White	5000	114	1.50	1.39	1.33
941-MX6SWTA1000FE3	MX6SWT-A1-0000-000FE3	C	Cool White	5000	122	1.71	1.58	1.51
941-MX6SWTA1R2500FE3	MX6SWT-A1-R250-000FE3	C	Cool White	5000	122	1.71	1.58	1.51
941-MX6SWTA1000E51	MX6SWT-A1-0000-000E51	C	Cool White	6500	114	1.29	1.20	1.15
941-MX6SWTA1R2500E51	MX6SWT-A1-R250-000E51	C	Cool White	6500	114	1.29	1.20	1.15
941-MX6SWTA1000F51	MX6SWT-A1-0000-000F51	C	Cool White	6500	122	1.37	1.27	1.21
941-MX6SWTA1R2500F51	MX6SWT-A1-R250-000F51	C	Cool White	6500	122	1.37	1.27	1.21
941-MX6SWTA1000G51	MX6SWT-A1-0000-000G51	C	Cool White	6500	130	1.58	1.46	1.40
941-MX6SWTA1R2500G51	MX6SWT-A1-R250-000G51	C	Cool White	6500	130	1.58	1.46	1.40

D



XLAMP ML-B SERIES

Features:

- Forward Current (Max.): 175mA
- Forward Voltage @ 80mA: 3.5V

Applications:

- T5/T8 bulbs; fluorescent replacement
- Under-cabinet lighting
- Retail and refrigerated display
- Panel lights

For quantities greater than listed, call for quote.

941-MLBAWTA1000VE7	MLBAWT-A1-0000-000VE7	D	Warm White	2800-3200	18.1	.39	.36	.345
941-MLBAWTA1000WE7	MLBAWT-A1-0000-000WE7	D	Warm White	3000	23.5	.54	.504	.483
941-MLBAWTA1000WE3	MLBAWT-A1-0000-000WE3	D	Cool White	5000	23.5	.39	.36	.345

XLAMP ML-C SERIES

Features:

• Forward Current: 175mA(series), 350mA(parallel) • Viewing Angle: 120°

MOUSER STOCK NO.	Cree Part No.	Fig.	Color	λ / Color Temp.	Luminous Flux. (lm) Typical	Price Each		
						1	50	100
941-MLCAWTA10XE1	MLCAWT-A1-0000-000XE1	A	Cool White	6500K	38	.54	.504	.483
941-MLCSWTA10XE1	MLCSWT-A1-0000-000XE1	A	Cool White	6500K	38	.72	.672	.644
941-MLCAWTA10XE3	MLCAWT-A1-0000-000XE3	A	Cool White	5000K	38	.54	.504	.483
941-MLCSWTA10XE3	MLCSWT-A1-0000-000XE3	A	Cool White	5000K	38	.72	.672	.644
941-MLCAWTA10XE5	MLCAWT-A1-0000-000XE5	A	Warm White	4000K	38	.49	.456	.437
941-MLCSWTA10XE5	MLCSWT-A1-0000-000XE5	A	Warm White	4000K	38	.49	.456	.437
941-MLCAWTA10WE7	MLCAWT-A1-0000-000WE7	A	Warm White	3000K	33.3	.49	.456	.437
941-MLCSWTA10WE7	MLCSWT-A1-0000-000WE7	A	Warm White	3000K	33.3	.49	.456	.437

XLAMP ML-E SERIES

Lighting-class performance in a 1/2-watt LED

Features:

• Forward Current (max.): 500mA • Viewing Angle: 120°

MOUSER STOCK NO.	Cree Part No.	Fig.	Color	λ / Color Temp.	Luminous Flux. (lm) Typical	Forward Voltage @ 150mA (V)	DC Forward Current (mA)	Price Each		
								1	50	100
941-MLEREDA10U01	MLERED-A1-0000-000U01	B	Red	620-630nm	13.9	2.2	350	1.01	.936	.897
941-MLEREDA10V01	MLERED-A1-0000-000V01	B	Red	620-630nm	18.1	2.2	350	1.09	1.00	.966
941-MLEGRNA10001	MLEGRN-A1-0000-000001	B	Green	520-535nm	35.2	3.45	350	1.22	1.12	1.08
941-MLEGRNA10X01	MLEGRN-A1-0000-000X01	B	Green	520-535nm	30.6	3.45	350	1.14	1.05	1.01
941-MLEBLUA10T01	MLEBLU-A1-0000-000T01	B	Blue	465-485nm	10.7	3.2	350	1.14	1.06	1.01
941-MLEAWTA1R25001E7	MLEAWT-A1-R250-0001E7	B	Warm White	3000K	35.2	3.2	500	.59	.552	.529
941-MLEAWTA1R25002E7	MLEAWT-A1-R250-0002E7	B	Warm White	3000K	39.8	3.2	500	.59	.552	.529
941-MLEAWTA1R25003E3	MLEAWT-A1-R250-0003E3	B	Warm White	3000K	102	3.2	500	.72	.672	.644
941-MLEAWTA1R25004E5	MLEAWT-A1-R250-0004E5	B	Warm White	4000K	51.7	3.2	500	.86	.792	.759
941-MLEAWTA1R25005E5	MLEAWT-A1-R250-0005E5	B	Warm White	4000K	117	3.2	500	.72	.672	.644
941-MLEAWTA1R25003E3	MLEAWT-A1-R250-0003E3	B	Cool White	5000K	45.7	3.2	500	.62	.576	.552
941-MLEAWTA1R25004E3	MLEAWT-A1-R250-0004E3	B	Cool White	5000K	51.7	3.2	500	.73	.672	.644
941-MLESWTA103E3	MLESWT-A1-0000-0003E3	B	Cool White	5000K	117	3.2	500	.72	.672	.644

XLAMP XB-D SERIES

48% Smaller footprint than XLamp XP Series

Features:

• Cree's smallest lighting class LED: 2.45 x 2.45mm • Low thermal resistance: 6.5°C/W • Reflow solderable - JEDEC J-ST-020C
 • 1A maximum drive current • Wide viewing angle: 115° compatible

MOUSER STOCK NO.	Cree Part No.	Fig.	Color	λ / Color Temp.	Luminous Flux. (lm) Typical	Forward Voltage	Forward Current (mA)	Price Each		
								1	50	100
941-XBDAWT0000E51	XBDAWT-00-0000-000000E51	C	Cool White	8300K	114	1.58	1.46	1.40		
941-XBDAWT0000F51	XBDAWT-00-0000-000000F51	C	Cool White	8300K	122	1.76	1.63	1.56		
941-XBDAWT0000DE3	XBDAWT-00-0000-000000DE3	C	Cool White	5000K	107	1.58	1.46	1.40		
941-XBDAWT0000LAE7	XBDAWT-00-0000-000000LAE7	C	Neutral White	3700K	87.4	1.42	1.32	1.26		
941-XBDAWT0000LBE7	XBDAWT-00-0000-000000LBE7	C	Neutral White	3700K	93.9	1.76	1.63	1.56		
941-XBDROY0L01	XBDROY-00-0000-000000L01	C	Royal Blue	31000K	500 mW	2.00	1.84	1.77		
941-XBDBLU0Z01	XBDBLU-00-0000-000000Z01	C	Blue	-	35.2	2.05	1.89	1.81		
941-XBDGRN0B01	XBDGRN-00-0000-000000B01	C	Green	-	93.9	2.05	1.89	1.81		
941-XBDRDO0901	XBDRDO-00-0000-000000901	C	Orange	-	80.6	2.02	1.87	1.79		
941-XBDRDO701	XBDRDO-00-0000-000000701	C	Red	-	67.2	2.05	1.89	1.81		

XLAMP XB-H SERIES

MOUSER STOCK NO.	Cree Part No.	Fig.	Color	λ / Color Temp.	Luminous Flux. (lm) Typical	Forward Voltage	Forward Current (mA)	Price Each		
								1	50	100
941-XBHAWT-000HT30E7	XBHAWT-00-0000-000HT30E7	D	Warm White	3000K	220	2.9	700	3.01	2.78	2.66
941-XBHAWT-000LT50S1	XBHAWT-00-0000-000LT50S1	D	Cool White	6200K	260	2.9	700	2.72	2.52	2.41

XLAMP XP-C SERIES

• Viewing Angle: 110-125°

MOUSER STOCK NO.	Cree Part No.	Fig.	Color	λ / Color Temp.	Luminous Flux. (lm) Typical	Forward Voltage (VDC)	Forward Current (mA)	Price Each		
								1	50	100
941-XPCREDL1R250201	XPCRED-L1-R250-00201	E	Red	620-630nm	39.8	2.2	350	1.71	1.58	1.51
941-XPCREDL100401	XPCRED-L1-0000-00401	E	Red	620-630nm	51.7	2.2	350	2.28	2.11	2.02
941-XPCRDOL1R250401	XPCRDOL-L1-R250-00401	E	Red-Orange	610-620nm	51.7	2.2	350	1.71	1.58	1.51
941-XPCRDOL100601	XPCRDOL-L1-0000-00601	E	Red-Orange	610-620nm	62	2.2	350	2.28	2.11	2.02
941-XPCAMBL1R250401	XPCAMB-L1-R250-00401	E	Amber	585-595nm	51.7	2.2	350	2.28	2.11	2.02
941-XPCGRNL1R250801	XPCGRN-L1-R250-00801	E	Green	520-535nm	73.9	3.6	500	2.57	2.37	2.27
941-XPCBLUL1R250V01	XPCBLU-L1-R250-00V01	E	Blue	465-485nm	18.1	3.5	500	2.28	2.11	2.02
941-XPCBLUL100W01	XPCBLU-L1-0000-00W01	E	Blue	465-485nm	23.5	3.5	500	1.71	1.58	1.51
941-XPCROYL1R250801	XPCROY-L1-R250-00801	E	Royal Blue	450-465nm	-	3.5	500	2.15	1.99	1.90
941-XPCWHTL1R2506E7	XPCWHT-L1-R250-006E7	E	White	3000K	62	3.5	500	1.29	1.20	1.15
941-XPCWHTL1R250A01	XPCWHT-L1-R250-00A01	E	White	5000-10000K	87.4	3.5	500	1.29	1.20	1.15

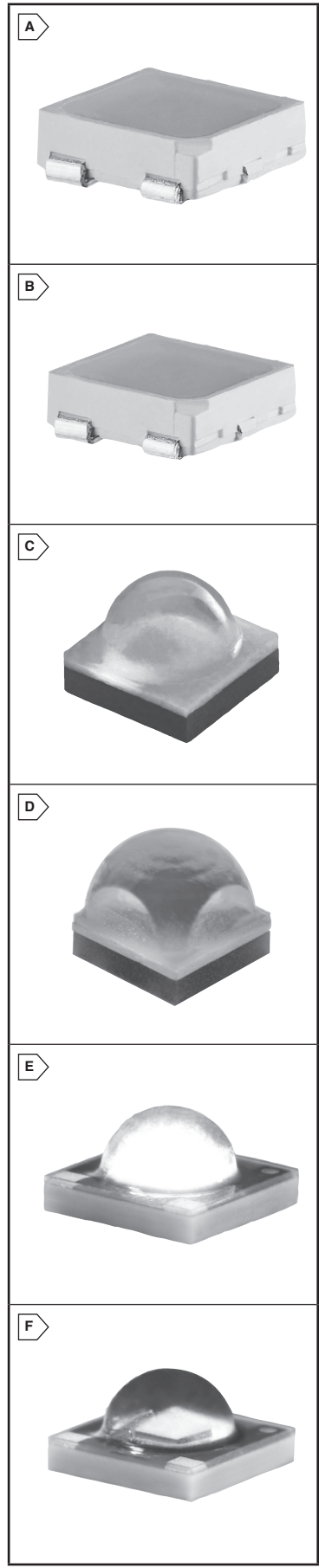
XLAMP XP-E SERIES

80% smaller footprint than the X-Lamp XR-E.

Features:

• Viewing Angle: White - 115° • Viewing Angle: Colored LEDs - 130°

MOUSER STOCK NO.	Cree Part No.	Fig.	Color	λ / Color Temp.	Luminous Flux. (lm) Typical	Forward Voltage (VDC)	Forward Current (mA)	Price Each		
								1	50	100
941-XPEPHRL10000801	XPEPHR-L1-0000-00801	F	Red	650-670nm	73.9	2.1	350	2.28	2.11	2.02
941-XPEPHRL10000901	XPEPHR-L1-0000-00901	F	Red	650-670nm	80.6	2.1	350	3.42	3.16	3.03
941-XPEPHRL1R2500801	XPEPHR-L1-R250-00801	F	Red	650-670nm	73.9	2.1	350	2.28	2.11	2.02
941-XPEPHRL1R2500901	XPEPHR-L1-R250-00901	F	Red	650-670nm	80.6	2.1	350	3.42	3.16	3.03
941-XPEREDL1R250701	XPERED-L1-R250-00701	F	Red	620nm	51.7	2.3	700	3.58	3.31	3.17
941-XPEREDL1R250801	XPERED-L1-R250-00801	F	Red	620nm	51.7	2.3	700	3.87	3.57	3.42
941-XPEREDL100401	XPERED-L1-0000-00401	F	Red	620-630nm	51.7	2.3	700	2.72	2.52	2.41
941-XPEREDL1R250401	XPERED-L1-R250-00401	F	Red	620-630nm	51.7	2.3	700	2.73	2.52	2.42
941-XPERDOL1R250901	XPERDOL-L1-R250-00901	F	Red-Orange	610nm	56.8	2.3	700	3.58	3.31	3.17
941-XPERDOL1R250A01	XPERDOL-L1-R250-00A01	F	Red-Orange	610nm	56.8	2.3	700	3.87	3.57	3.42
941-XPERDOL1R250501	XPERDOL-L1-R250-00501	F	Red-Orange	610-620nm	56.8	2.3	700	2.57	2.37	2.27
941-XPEAMBL1R250401	XPEAMB-L1-R250-00401	F	Amber	585-595nm	51.7	2.3	500	2.72	2.52	2.41
941-XPEAMBL1R25701	XPEAMB-L1-R250-00701	F	Amber	595nm	67.2	2.1	350	3.42	3.16	3.03
941-XPEAMBL1R25801	XPEAMB-L1-R250-00801	F	Amber	595nm	73.9	2.1	350	3.58	3.31	3.17
941-XPEAMBL1000901	XPEAMB-L1-0000-00901	F	Amber	595nm	80.6	2.1	350	3.87	3.57	3.42
941-XPEGRNL1R250C01	XPEGRN-L1-R250-00C01	F	Green	520-535nm	100	3.8	1000	3.14	2.90	2.78
941-XPEGRNL100D01	XPEGRN-L1-0000-00D01	F	Green	520-535nm	107	3.8	1000	3.42	3.16	3.03
941-XPEBLUL1R250Y01	XPEBLU-L1-R250-00Y01	F	Blue	465-485nm	30.6	3.5	1000	2.57	2.38	2.28
941-XPEBLUL100201	XPEBLU-L1-0000-00201	F	Blue	465-485nm	39.8	3.5	1000	3.87	3.57	3.42
941-XPEWHTP1R2506E8	XPEWHT-P1-R250-006E8	F	White	2700K	62	3.5	1000	2.00	1.84	1.77
941-XPEWHTP1R2507E7	XPEWHT-P1-R250-007E7	F	White	3000K	67.2	3.5	1000	2.00	1.84	1.77
941-XPEWHTL1R2508E7	XPEWHT-L1-R250-008E7	F	White	3000K	73.9	3.5	1000	4.13	3.81	3.65



XLAMP XP-E SERIES (CONT.)

MOUSER STOCK NO.	Cree Part No.	Fig.	Color	λ / Color Temp.	Luminous Flux (lm)	Forward Voltage (VDC)	Forward Current (mA)	Price Each		
								1	50	100
941-XPEWHTL100BE7	XPEWHT-L1-0000-00BE7	A	White	3000K	93.9	3.5	1000	2.85	2.64	2.53
941-XPEWHTL1R250BE6	XPEWHT-L1-R250-00BE6	A	White	3500K	93.9	3.5	1000	2.15	1.99	1.90
941-XPEWHTL1R250AE5	XPEWHT-L1-R250-00AE5	A	White	4000K	87.4	3.5	1000	1.87	1.72	1.65
941-XPEBWTLL1000BE8	XPEBWT-L1-0000-00BE8	A	Warm White	2700K	93.9	3.1	350	2.44	2.25	2.16
941-XPEBWTLL1000CE7	XPEBWT-L1-0000-00CE7	A	Warm White	3000K	100	3.1	350	2.44	2.25	2.16
941-XPEBWTLL1000EE5	XPEBWT-L1-0000-00EE5	A	Neutral White	4000K	114	3.1	350	2.73	2.52	2.42
941-XPEWHTL1R250D01	XPEWHT-L1-R250-00D01	A	Cool White	5000-10000K	107	3.5	1000	2.00	1.84	1.77
941-XPEBWTLL1000D50	XPEBWT-L1-0000-00D50	A	Cool White	6200K	107	3.1	350	1.87	1.72	1.65
941-XPEWHTL1R250E01	XPEWHT-L1-R250-00E01	A	Cool White	5000-10000K	114	3.5	1000	2.15	1.99	1.90
941-XPEBWTLL1000E50	XPEBWT-L1-0000-00E50	A	Cool White	6200K	114	3.1	350	2.15	1.99	1.90
941-XPEBWTLL1000EE3	XPEBWT-L1-0000-00EE3	A	Cool White	5000K	114	3.1	350	2.28	2.11	2.02
941-XPEBWTLL1000FE2	XPEBWT-L1-0000-00FE2	A	Cool White	5700K	122	3.1	350	2.57	2.37	2.27
941-XPEBWTLL1000FE1	XPEBWT-L1-0000-00FE1	A	Cool White	6500K	122	3.1	350	2.57	2.37	2.27
941-XPEBWTLL1000F50	XPEBWT-L1-0000-00F50	A	Cool White	6200K	122	3.1	350	2.44	2.25	2.16

XLAMP XP-E2 COLOR LEDS

Features: Applications: Viewing angle: 130-135° • LED Retrofit Lamps • Portable Lighting • Outdoor Lighting • Indoor Directional Lighting

MOUSER STOCK NO.	Cree Part No.	Fig.	Color	λ / Color Temp.	Luminous Flux (lm)	Forward Voltage (VDC)	Forward Current (mA)	Price Each		
								1	50	100
941-XPEBRDL10000601	XPEBRD-L1-0000-00601	B	Red	630nm	62	2.5	700	2.15	1.99	1.90
941-XPEBRDL10000801	XPEBRD-L1-0000-00801	B	Red	630nm	73.9	2.5	700	2.72	2.52	2.41
941-XPEBGRLL10000E01	XPEBGR-L1-0000-00E01	B	Green	535nm	114	3.5	1000	2.57	2.37	2.27
941-XPEBBLLL10000Z01	XPEBBL-L1-0000-00Z01	B	Blue	485nm	35.2	3.25	1000	2.15	1.99	1.90
941-XPEBBLLL10000201	XPEBBL-L1-0000-00201	B	Blue	485nm	39.8	3.25	1000	2.44	2.25	2.16
941-XPEBRYLL10000M01	XPEBRY-L1-0000-00M01	B	Royal Blue	455nm	525mW	3.25	1000	2.28	2.11	2.02
941-XPEBRYLL10000P01	XPEBRY-L1-0000-00P01	B	Royal Blue	465nm	575mW	3.25	1000	2.57	2.37	2.27

XLAMP XP-G SERIES

Features: Viewing angle: 125°

MOUSER STOCK NO.	Cree Part No.	Fig.	Color	λ / Color Temp.	Luminous Flux (lm)	Forward Voltage (VDC)	Forward Current (mA)	Price Each		
								1	50	100
941-XPGWHTP1R25008E8	XPGWHT-P1-R250-008E8	C	85-CRI White	2700K	73.9	3	350	3.42	3.16	3.03
941-XPGWHTL1R2500DE8	XPGWHT-L1-R250-00DE8	C	Warm White	2700K	107	3	350	4.72	4.36	4.18
941-XPGWHTP1R25009E7	XPGWHT-P1-R250-009E7	C	85-CRI White	3000K	87.4	3	350	3.42	3.16	3.03
941-XPGWHTL1000BE8	XPGWHT-L1-0000-00BE8	C	Warm White	2700K	93.9	3	350	3.42	3.16	3.03
941-XPGWHTL100CE7	XPGWHT-L1-0000-00CE7	C	Warm White	3000K	100	3	350	3.42	3.16	3.03
941-XPGWHTL1R2500EE7	XPGWHT-L1-R250-00EE7	C	Warm White	3000K	114	3	350	4.72	4.36	4.18
941-XPGWHT01000EE5	XPGWHT-01-0000-00EE5	C	Neutral White	4000K	114	3	350	2.85	2.64	2.53
941-XPGWHT01R2500GC3	XPGWHT-01-R250-00GC3	C	Neutral White	4300K	130	3	350	3.71	3.43	3.28
941-XPGWHT01R2500GC2	XPGWHT-01-R250-00GC2	C	Neutral White	4500K	130	3	350	3.71	3.43	3.28
941-XPGWHT01000FE3	XPGWHT-01-0000-00FE3	C	Neutral White	5000K	122	3	350	3.14	2.90	2.78
941-XPGWHT01R2500GC1	XPGWHT-01-R250-00GC1	C	Cool White	5000K	130	3	350	3.58	3.31	3.17
941-XPGWHTL100E51	XPGWHT-L1-0000-00E51	C	Cool White	5000-8300K	114	3	350	5.71	5.28	5.06
941-XPGWHTL100F53	XPGWHT-L1-0000-00F53	C	Cool White	5000-8300K	122	3	350	3.29	3.04	2.92
941-XPGWHTL100G51	XPGWHT-L1-0000-00G51	C	Cool White	5000-8300K	130	3	350	3.42	3.16	3.03
941-XPGWHTL100G53	XPGWHT-L1-0000-00G53	C	Cool White	5000-8300K	130	3	350	3.42	3.16	3.03
941-XPGWHTL100H53	XPGWHT-L1-0000-00H53	C	Cool White	5000-8300K	139	3	350	4.72	4.36	4.18
941-XPGBWTLL1R2500F51	XPGBWT-L1-R250-00F51	C	Cool White	8300K	122	2.9	700	2.85	2.64	2.53
941-XPGBWTLL1R2500G51	XPGBWT-L1-R250-00G51	C	Cool White	8300K	130	2.9	700	3.14	2.90	2.78
941-XPGBWTLL1R2500H51	XPGBWT-L1-R250-00H51	C	Cool White	8300K	139	2.9	700	4.15	3.84	3.68

XLAMP XP-G2

Features: Viewing Angle (White): 115°

MOUSER STOCK NO.	Cree Part No.	Fig.	Color	λ / Color Temp.	Luminous Flux (lm)	Forward Voltage (VDC)	Forward Current (mA)	Price Each		
								1	50	100
941-XPGBWTLL1R250FZ7	XPGBWT-H1-R250-00FZ7	D	Warm White	3000K	122			4.85	4.48	4.30
941-XPGBWTLL1R250GE7	XPGBWT-L1-R250-00GE7	D	Warm White	3000K	130			4.44	4.10	3.93

XLAMP XP-L SERIES

For quantities greater than listed, call for quote.

MOUSER STOCK NO.	Cree Part No.	Fig.	Color	λ / Color Temp.	Luminous Flux (lm)	Forward Voltage (VDC)	Forward Current (mA)	Price Each		
								1	50	100
941-XPLAWT0000V4051	XPLAWT-00-0000-0000V4051	E	Cool White	8300K	440	2.95	1050	6.72	6.21	5.95
941-XPLAWT0000HU50E7	XPLAWT-00-0000-0000HU50E7	E	Warm White	3000K	260	2.95	1050	6.44	5.95	5.70

XLAMP XQ-E SERIES

For quantities greater than listed, call for quote.

MOUSER STOCK NO.	Cree Part No.	Fig.	Color	λ / Color Temp.	Luminous Flux (lm)	Forward Voltage (VDC)	Forward Current (mA)	Price Each		
								1	50	100
941-XQEAWT0000D50	XQEAWT-SB-0000-0000D50	F	Cool White	6200K	107			5.19	4.80	4.60

XLAMP XR-E SERIES

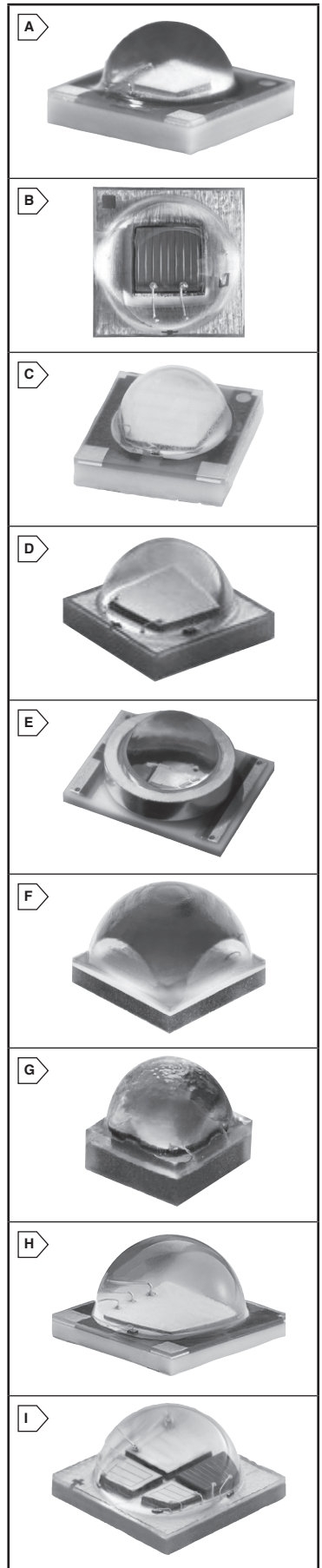
Features: Viewing Angle (White): 90° • Viewing Angle (Color): 100°

MOUSER STOCK NO.	Cree Part No.	Fig.	Color	λ / Color Temp.	Luminous Flux (lm)	Forward Voltage (VDC)	Forward Current (mA)	Price Each		
								1	50	100
941-XREBLUL100J02	XREBLU-L1-0000-00J02	G	Blue	465-480nm	23.5	3.7	1000	5.97	5.52	5.29
941-XREBLUL100J01	XREBLU-L1-0000-00J01	G	Blue	465-485nm	23.5	3.7	1000	5.42	5.01	4.80
941-XREBLUL1R250K01	XREBLU-L1-R250-00K01	G	Blue	465-485nm	30.6	3.7	1000	7.19	6.64	6.37
941-XREGRLN1R250P01	XREGRLN-L1-R250-00P01	G	Green	520-535nm	67.2	3.7	1000	5.66	5.23	5.01
941-XREWHTL1R2508E7	XREWHT-L1-R250-008E7	G	Warm White	3000K	73.9	3.5	700	6.75	6.24	5.98
941-XREWHTL1R2509E5	XREWHT-L1-R250-009E5	G	Neutral White	4000K	80.6	3.5	700	6.57	6.07	5.81
941-XREWHTL1R250C01	XREWHT-L1-R250-00C01	G	Cool White	5000-10000K	100	3.7	1000	6.96	6.43	6.16
941-XREWHTL100D01	XREWHT-L1-0000-00D01	G	Cool White	5000-10000K	107	3.7	1000	8.28	7.65	7.33
941-XREWHTL100E01	XREWHT-L1-0000-00E01	G	Cool White	5000-10000K	114	3.7	1000	9.01	8.36	8.04

XLAMP XM-L SERIES

Features: Forward Current (Max.): 175mA • Forward Voltage @ 60mA: 2.0 • Viewing Angle: 120°

MOUSER STOCK NO.	Cree Part No.	Fig.	Color	λ / Color Temp.	Luminous Flux (lm)	Forward Voltage (VDC)	Forward Current (mA)	Price Each		
								1	50	100
941-XMLAWT0000L560E8	XMLAWT-00-0000-0000L560E8	H	Warm White	2700K	182			5.71	5.28	5.06
941-XMLAWT0000L20E8	XMLAWT-00-0000-0000L20E8	H	Warm White	2700K	200			7.14	6.59	6.32
941-XMLAWT0000L20E7	XMLAWT-00-0000-0000L20E7	H	Warm White	3000K	200			5.71	5.28	5.06
941-XMLAWT0200L20E7	XMLAWT-02-0000-0000L20E7	H	Warm White	3000K	200			5.71	5.28	5.06
941-XMLAWT0000L30E7	XMLAWT-00-0000-0000L30E7	H	Warm White	3000K	220			7.58	7.00	6.71
941-XMLAWT0200L40E4	XMLAWT-02-0000-0000L40E4	H	Neutral White	4500K	240			5.71	5.28	5.06
941-XMLAWT0000L40E3	XMLAWT-00-0000-0000L40E3	H	Neutral White	5000K	240			5.71	5.28	5.06
941-XMLAWT0000L750E3	XMLAWT-00-0000-0000L750E3	H	Neutral White	5000K	260			7.14	6.59	6.32
941-XMLAWT0T5050	XMLAWT-00-0000-0000T5050	H	Cool White	5000-8300K	260			6.00	5.54	5.31
941-XMLAWT0T5053	XMLAWT-00-0000-0000T5053	H	Cool White	5000-8300K	260			5.87	5.42	5.19
941-XMLAWT0T6053	XMLAWT-00-0000-0000T6053	H	Cool White	5000-8300K	280			6.85	6.33	6.07
941-XMLCTWA0C3ABB02	XMLCTWA-A0-0000-00C3ABB02	I	RGB, Cool White	8000K	45.7, 87.4, 13.9, 100			15.29	14.13	13.54
941-XMLCTWA0C3ACC02	XMLCTWA-A0-0000-00C3ACC02	I	RGB, Cool White	4300K	67, 87, 55, 101			15.29	14.13	13.54



XLAMP CXA SERIES HD LED

MOUSER STOCK NO.	Cree Part No.	Fig.	Color	λ / Color Temp.	Luminous Flux (lm) (Typ.)	Price Each		
						1	50	100
941-CXA1310N00J230F	CXA1310-0000-000N0J230F	A	Warm White	3000K	1040	11.16	10.31	8.60
941-CXA1850N00U430F	CXA1850-0000-000N0U430F	A	Warm White	3000K	3955	51.94	47.99	45.99
941-CXA2590R00Y430F	CXA2590-0000-000R00Y430F	A	Warm White	3000K	6910	88.31	81.59	78.19

XLAMP XM-L EASYWHITE SERIES

Features: • Forward Current (Max.): 700mA • Viewing Angle: 115° • Forward Voltage @ 700mA: 5.8

For quantities greater than listed, call for quote.

MOUSER STOCK NO.	Cree Part No.	Fig.	Color	λ / Color Temp.	Luminous Flux (lm) (Typ.)	Price Each		
						1	50	100
941-XMLEZW02B00T527F	XMLEZW-02-0000-0B00T527F	B	Easy White	2700K	260	7.42	6.86	6.57
941-XMLEZW02B00T627F	XMLEZW-02-0000-0B00T627F	B	Easy White	2700K	280	8.00	7.39	7.08
941-XMLEZW02B00T630F	XMLEZW-02-0000-0B00T630F	B	Easy White	3000K	280	7.42	6.86	6.57
941-XMLEZW02B00U230F	XMLEZW-02-0000-0B00U230F	B	Easy White	3000K	300	8.00	7.39	7.08

XLAMP XQ-B SERIES

Features: • Forward Current: 80mA • Forward Voltage: 3V • Viewing Angle: 140°

For quantities greater than listed, call for quote.

MOUSER STOCK NO.	Cree Part No.	Fig.	Color	λ / Color Temp.	Luminous Flux (lm) (Typ.)	Price Each		
						1	50	100
941-XQBAWT00HXE5	XQBAWT-00-0000-00000HXE5	C	Neutral White	4000K	26.5	.46	.432	.414

XLAMP XQ-D SERIES

Features: • Forward Current: 350mA • Forward Voltage: 3.1V • Viewing Angle: 145°

For quantities greater than listed, call for quote.

MOUSER STOCK NO.	Cree Part No.	Fig.	Color	λ / Color Temp.	Luminous Flux (lm) (Typ.)	Price Each		
						1	50	100
941-XQDAWT00HBE8	XQDAWT-00-0000-00000HBE8	C	Warm White	2700K	93.9	1.06	.984	.943
941-XQDAWT00HBE7	XQDAWT-00-0000-00000HBE7	C	Warm White	3000K	93.9	1.06	.984	.943
941-XQDAWT00HDE5	XQDAWT-00-0000-00000HDE5	C	Neutral White	4000K	107	1.06	.984	.943
941-XQDAWT00HDE3	XQDAWT-00-0000-00000HDE3	C	Neutral White	5000K	107	1.06	.984	.943
941-XQDAWT00HDE2	XQDAWT-00-0000-00000HDE2	C	Cool White	5700K	107	1.06	.984	.943
941-XQDAWT00HDE1	XQDAWT-00-0000-00000HDE1	C	Cool White	6500K	107	1.06	.984	.943

XLAMP XQ-E

Features: • Forward Current: 350mA • Viewing Angle: 110° • Forward Voltage @ 700mA: 2.9

For quantities greater than listed, call for quote.

MOUSER STOCK NO.	Cree Part No.	Fig.	Color	λ / Color Temp.	Luminous Flux (lm) (Typ.)	Price Each		
						1	50	100
941-XQEAWT000BEE2	XQEAWT-00-0000-00000BEE2	D	Cool White	5700K	114	2.02	1.87	1.79
941-XQEAWT000BD51	XQEAWT-00-0000-00000BD51	D	Cool White	6200K	107	1.53	1.41	1.35
941-XQEAWT000BEE1	XQEAWT-00-0000-00000BEE1	D	Cool White	6500K	114	2.02	1.87	1.79
941-XQEAWT000HDE5	XQEAWT-00-0000-00000HDE5	D	Neutral White	4000K	107	2.02	1.87	1.79
941-XQEAWT000BEE4	XQEAWT-00-0000-00000BEE4	D	Neutral White	4500K	114	1.92	1.77	1.70
941-XQEAWT000BEE3	XQEAWT-00-0000-00000BEE3	D	Neutral White	5000K	114	1.87	1.72	1.65
941-XQEAWT000P7E8	XQEAWT-00-0000-00000P7E8	D	Warm White	2700K	239	1.77	1.63	1.56
941-XQEAWT000P8E7	XQEAWT-00-0000-00000P8E7	D	Warm White	3000K	260	1.77	1.63	1.56
941-XQEAWT000HCE6	XQEAWT-00-0000-00000HCE6	D	Warm White	3500K	100	1.92	1.77	1.70
941-XQEBLU0000205	XQEBLU-00-0000-00000205	D	Blue	470-480nm	39.8	2.49	2.30	2.20
941-XQEBLUSB00Y01	XQEBLU-SB-0000-00000Y01	D	Blue	485nm	30.6	5.19	4.80	4.60
941-XQEGRN0000D03	XQEGRN-00-0000-00000D03	D	Green	535 nm	107	2.51	2.32	2.23
941-XQERED0000702	XQERED-00-0000-000000702	D	Red	620-625nm	73.9	2.44	2.25	2.16
941-XQEGRNSB00C01	XQEGRN-SB-0000-000000C01	D	Green	535nm	100	5.19	4.80	4.60
941-XQEREDSB00501	XQERED-SB-0000-000000501	D	Red	630nm	56.8	5.19	4.80	4.60

XLAMP XH-B SERIES

Features: • Forward Current: 65mA • Forward Voltage: 3.1V • Viewing Angle: 130°

For quantities greater than listed, call for quote.

MOUSER STOCK NO.	Cree Part No.	Fig.	Color	λ / Color Temp.	Luminous Flux (lm) (Typ.)	Price Each		
						1	50	100
941-XHBAWT000HWE7	XHBAWT-00-0000-00000HWE7	E	Warm White	3000K	23.5	.39	.36	.345
941-XHBAWT000HXE5	XHBAWT-00-0000-00000HXE5	E	Neutral White	4000K	26.8	.54	.504	.483
941-XHBAWT000HXE3	XHBAWT-00-0000-00000HXE3	E	Neutral White	5000K	26.8	.49	.456	.437
941-XHBAWT000HXE1	XHBAWT-00-0000-00000HXE1	E	Cool White	6500K	26.8	.49	.456	.437

XLAMP XH-G SERIES

Features: • Forward Current: 65mA • Forward Voltage: 2.9V • Viewing Angle: 130°

For quantities greater than listed, call for quote.

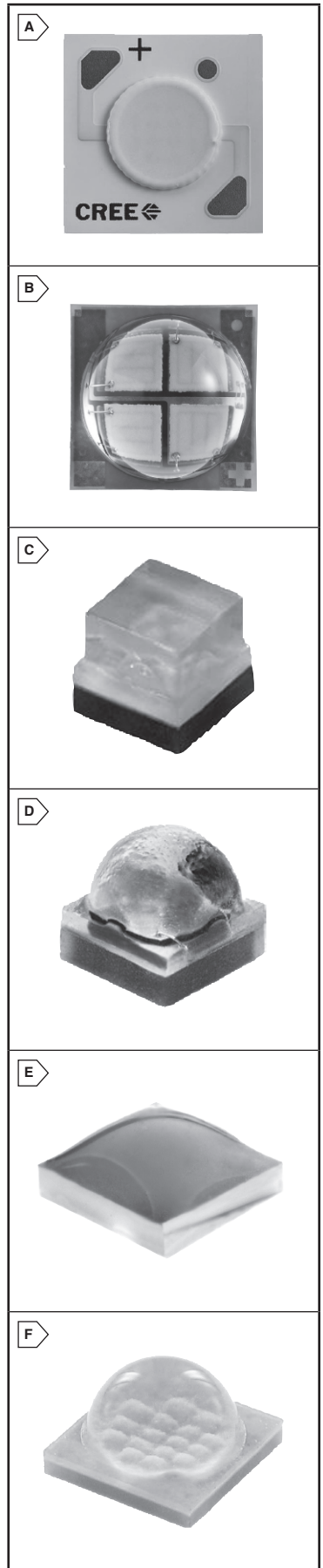
MOUSER STOCK NO.	Cree Part No.	Fig.	Color	λ / Color Temp.	Luminous Flux (lm) (Typ.)	Price Each		
						1	50	100
941-XHGAWT000HWE7	XHGAWT-00-0000-00000HWE7	E	Warm White	3000K	23.5	.49	.456	.437
941-XHGAWT000HXE5	XHGAWT-00-0000-00000HXE5	E	Neutral White	4000K	26.8	.49	.456	.437
941-XHGAWT000HXE3	XHGAWT-00-0000-00000HXE3	E	Neutral White	5000K	26.8	.49	.456	.437
941-XHGAWT000HXE1	XHGAWT-00-0000-00000HXE1	E	Cool White	6500K	26.8	.49	.456	.437

XLAMP XM-L HIGH VOLTAGE SERIES

Features: • Forward Current (Max.): 44mA • Forward Voltage (Max.): 46VDC

For quantities greater than listed, call for quote.

MOUSER STOCK NO.	Cree Part No.	Fig.	Color	λ / Color Temp.	Luminous Flux (lm) (Typ.)	Price Each		
						1	50	100
941-XMLHVWQ0000LS3E8	XMLHVW-Q0-0000-0000LS3E8	F	Warm White	2700K	156	5.42	5.01	4.80
941-XMLHVWQ2000LS3E8	XMLHVW-Q2-0000-0000LS3E8	F	Warm White	2700K	156	5.97	5.52	5.29
941-XMLHVWQ0000LS4E8	XMLHVW-Q0-0000-0000LS4E8	F	Warm White	2700K	164	5.71	5.28	5.06
941-XMLHVWQ2000LS4E8	XMLHVW-Q2-0000-0000LS4E8	F	Warm White	2700K	164	6.28	5.80	5.56
941-XMLHVWQ0000LS3E7	XMLHVW-Q0-0000-0000LS3E7	F	Warm White	3000K	156	5.35	4.94	4.73
941-XMLHVWQ2000LS3E7	XMLHVW-Q2-0000-0000LS3E7	F	Warm White	3000K	156	5.89	5.44	5.22
941-XMLHVWQ0000LS4E7	XMLHVW-Q0-0000-0000LS4E7	F	Warm White	3000K	164	5.42	5.01	4.80
941-XMLHVWQ2000LS4E7	XMLHVW-Q2-0000-0000LS4E7	F	Warm White	3000K	164	5.97	5.52	5.29
941-XMLHVWQ0000LS5E7	XMLHVW-Q0-0000-0000LS5E7	F	Warm White	3000K	172	5.71	5.28	5.06
941-XMLHVWQ2000LS5E7	XMLHVW-Q2-0000-0000LS5E7	F	Warm White	3000K	172	6.28	5.80	5.56
941-XMLHVWQ0000LS6E3	XMLHVW-Q0-0000-0000LS6E3	F	Cool White	5000K	182	5.42	5.01	4.80
941-XMLHVWQ2000LS6E3	XMLHVW-Q2-0000-0000LS6E3	F	Cool White	5000K	182	5.97	5.52	5.29
941-XMLHVWQ0000LT2E3	XMLHVW-Q0-0000-0000LT2E3	F	Cool White	5000K	200	5.71	5.28	5.06
941-XMLHVWQ2000LT2E3	XMLHVW-Q2-0000-0000LT2E3	F	Cool White	5000K	200	6.28	5.80	5.56
941-XMLHVWQ0000LT251	XMLHVW-Q0-0000-0000LT251	F	Cool White	8300K	200	5.42	5.01	4.80
941-XMLHVWQ2000LT251	XMLHVW-Q2-0000-0000LT251	F	Cool White	8300K	200	5.97	5.52	5.29
941-XMLHVWQ0000LT351	XMLHVW-Q0-0000-0000LT351	F	Cool White	8300K	220	5.71	5.28	5.06
941-XMLHVWQ2000LT351	XMLHVW-Q2-0000-0000LT351	F	Cool White	8300K	220	6.28	5.80	5.56



XLAMP XM-L2 SERIES

- Features:**
 • Forward Current (Max): 3000 • Forward Voltage @ 700mA: 3.4 • Viewing Angle: 125°

MOUSER STOCK NO.	Cree Part No.	Fig.	Color	λ / Color Temp.	Luminous Flux. (lm) Typical	Price Each		
						1	50	100
941-XMLBWT000US50E8	XMLBWT-00-0000-000US50E8	A	Warm White	2600-3700K	172	8.15	7.53	7.22
941-XMLBWT000US60Z7	XMLBWT-00-0000-000US60Z7	A	Warm White	2600-3700K	182	8.57	7.91	7.59
941-XMLBWT020LT20E8	XMLBWT-02-0000-000LT20E8	A	Warm White	2600-3700K	200	5.71	5.28	5.06
941-XMLBWT000HT20E8	XMLBWT-00-0000-000HT20E8	A	Warm White	2600-3700K	200	5.87	5.42	5.19
941-XMLBWT000HT30E7	XMLBWT-00-0000-000HT30E7	A	Warm White	2600-3700K	220	6.85	6.33	6.07
941-XMLBWT000LT40E6	XMLBWT-00-0000-000LT40E6	A	Neutral White	3700-5000K	240	7.14	6.59	6.32
941-XMLBWT000LT50E5	XMLBWT-00-0000-000LT50E5	A	Neutral White	3700-5000K	260	7.58	7.00	6.71
941-XMLBWT000LT50E4	XMLBWT-00-0000-000LT50E4	A	Neutral White	3700-5000K	260	6.28	5.80	5.56
941-XMLBWT020LT60E3	XMLBWT-02-0000-000LT60E3	A	Neutral White	3700-5000K	280	7.14	6.59	6.32
941-XMLBEZ02D0V340F	XMLBEZ-02-0000-0D0V340F	B	Neutral White	4000K	420	8.57	7.91	7.59
941-XMLBWT0200T5051	XMLBWT-02-0000-0000T5051	A	Cool White	5000-8300K	260	5.42	5.01	4.80
941-XMLBWT000LT60E3	XMLBWT-00-0000-000LT60E3	A	Cool White	5000-8300K	280	7.14	6.59	6.32
941-XMLBWT0000U20E2	XMLBWT-00-0000-0000U20E2	A	Cool White	5000-8300K	300	8.44	7.79	7.47
941-XMLBWT0000U20E1	XMLBWT-00-0000-0000U20E1	A	Cool White	5000-8300K	300	8.44	7.79	7.47

XLAMP XT-E SERIES

- Features:**
 • Wide viewing angle: 115-140° • Maximum drive current: 1.5A
 • Thermal resistance: 5°C/W • Reflow solderable - JEDEC J-STD-020C Compatible

MOUSER STOCK NO.	Cree Part No.	Fig.	Color	λ / Color Temp.	Luminous Flux. (lm) Typical	Price Each		
						1	50	100
941-XTEAWT000LBE7	XTEAWT-00-0000-00000LBE7	C	Warm White	3000K	93.9	1.79	1.66	1.59
941-XTEAWT000LCE7	XTEAWT-00-0000-00000LCE7	C	Warm White	3000K	100	2.28	2.11	2.02
941-XTEAWT000LEE3	XTEAWT-00-0000-00000LEE3	C	Cool White	5000K	114	1.87	1.72	1.65
941-XTEAWT0000F51	XTEAWT-00-0000-000000F51	C	Cool White	5000K	122	2.15	1.99	1.90
941-XTEAWT0000G51	XTEAWT-00-0000-000000G51	C	Cool White	5000K	130	2.44	2.25	2.16

XLAMP XT-E HIGH VOLTAGE SERIES

- Features:**
 • Forward Current (max.): 22mA • Forward Voltage (max): 46VDC

MOUSER STOCK NO.	Cree Part No.	Fig.	Color	λ / Color Temp.	Luminous Flux. (lm) Typical	Price Each		
						1	50	100
941-XTEHVWQ00000L7E8	XTEHVW-Q0-0000-00000L7E8	D	Warm White	2700K	67.2	1.97	1.82	1.74
941-XTEHVWQ20000L7E8	XTEHVW-Q2-0000-00000L7E8	D	Warm White	2700K	67.2	2.18	2.01	1.93
941-XTEHVWQ00000L8E8	XTEHVW-Q0-0000-00000L8E8	D	Warm White	2700K	73.9	2.00	1.84	1.77
941-XTEHVWQ20000L8E8	XTEHVW-Q2-0000-00000L8E8	D	Warm White	2700K	73.9	2.20	2.04	1.95
941-XTEHVWH00000HAE8	XTEHVW-H0-0000-00000HAE8	D	Warm White	2700K	87.4	2.39	2.20	2.11
941-XTEHVWQ00000L8E7	XTEHVW-Q0-0000-00000L8E7	D	Warm White	3000K	73.9	1.97	1.82	1.74
941-XTEHVWQ20000L8E7	XTEHVW-Q2-0000-00000L8E7	D	Warm White	3000K	73.9	2.18	2.01	1.93
941-XTEHVWQ00000L9E7	XTEHVW-Q0-0000-00000L9E7	D	Warm White	3000K	80.6	2.00	1.84	1.77
941-XTEHVWQ20000L9E7	XTEHVW-Q2-0000-00000L9E7	D	Warm White	3000K	80.6	2.20	2.04	1.95
941-XTEHVWH00000HBE7	XTEHVW-H0-0000-00000HBE7	D	Warm White	3000K	93.9	2.39	2.20	2.11
941-XTEHVWD00000HCE7	XTEHVW-D0-0000-00000HCE7	D	Warm White	3000K	100	2.39	2.20	2.11
941-XTEHVWH00000LDE4	XTEHVW-H0-0000-00000LDE4	D	Neutral White	4500K	107	2.28	2.11	2.02
941-XTEHVWQ00000LBE3	XTEHVW-Q0-0000-00000LBE3	D	Cool White	5000K	93.9	1.97	1.82	1.74
941-XTEHVWQ20000LBE3	XTEHVW-Q2-0000-00000LBE3	D	Cool White	5000K	93.9	2.18	2.01	1.93
941-XTEHVWQ00000LCE3	XTEHVW-Q0-0000-00000LCE3	D	Cool White	5000K	100	2.00	1.84	1.77
941-XTEHVWQ20000LCE3	XTEHVW-Q2-0000-00000LCE3	D	Cool White	5000K	100	2.20	2.04	1.95
941-XTEHVWH00000LD51	XTEHVW-H0-0000-00000LD51	D	Cool White	6200K	107	2.23	2.06	1.97
941-XTEHVWQ00000LC51	XTEHVW-Q0-0000-00000LC51	D	Cool White	8300K	100	1.97	1.82	1.74
941-XTEHVWQ20000LC51	XTEHVW-Q2-0000-00000LC51	D	Cool White	8300K	100	2.18	2.01	1.93
941-XTEHVWQ00000LD51	XTEHVW-H0-0000-00000LD51	D	Cool White	8300K	107	2.00	1.84	1.77
941-XTEHVWQ20000LD51	XTEHVW-Q2-0000-00000LD51	D	Cool White	8300K	107	2.20	2.04	1.95

XLAMP XT-E SERIES ROYAL BLUE LEDS

- Features:**
 • Available in 2.5nm wavelength bins • Exceptionally wide viewing angle (140°)
 • High lumen density • Electrically isolated thermal path
 • Characterized and binned at 85°C

MOUSER STOCK NO.	Cree Part No.	Fig.	Color	λ / Color Temp.	Luminous Flux. (lm) Typical	Price Each		
						1	50	100
941-XTEARY00000K01	XTEARY-00-0000-000000K01	E	Royal Blue	450-465nm	475	2.57	2.37	2.27

XLAMP XB-E SERIES HIGH VOLTAGE WHITE LEDS

- Features:**
 • Forward Current (max.): 44mA • Forward Voltage (max): 24VDC

MOUSER STOCK NO.	Cree Part No.	Fig.	Color	λ / Color Temp.	Luminous Flux. (lm) Typical	Price Each		
						1	50	100
941-XBEHVWH0000HCE8	XBEHVW-H0-0000-00000HCE8	F	Warm White	2700K	100	1.92	1.77	1.48
941-XBEHVWH0000HEE3	XBEHVW-H0-0000-00000HEE3	F	Cool White	5000K	114	1.63	1.51	1.44

XLAMP XB-G SERIES HIGH VOLTAGE WHITE LEDS

- Features:**
 • Forward Current (max.): 44mA • Forward Voltage (max): 24VDC

MOUSER STOCK NO.	Cree Part No.	Fig.	Color	λ / Color Temp.	Luminous Flux. (lm) Typical	Price Each		
						1	50	100
941-XBGHVWH0000HDE8	XBGHVW-H0-0000-00000HDE8	F	Warm White	2700K	107	2.36	2.18	2.09

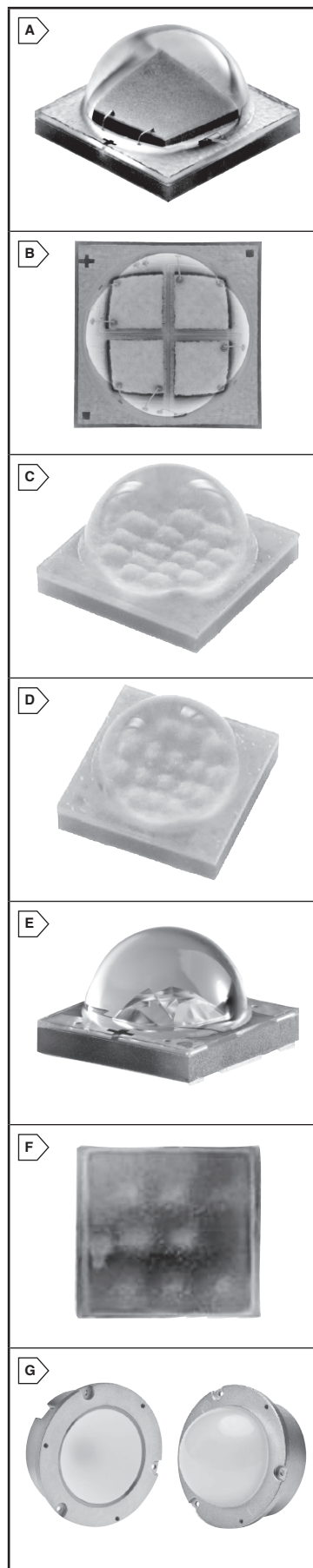
LMH2 LED MODULES

MOUSER STOCK NO.	Cree Part No.	Fig.	Color	λ / Color Temp.	Luminous Flux. (lm) Typical	Price Each		
						1	50	100
941-LMH20800030G90TW	LMH020-8000-30G9-00000TW	G	White	3500K	8000	104.48	89.51	87.50
941-LMH20800035G90TW	LMH020-8000-35G9-00000TW	G	White	3500K	8000	104.48	89.51	87.50
941-LMH20800040G90TW	LMH020-8000-40G9-00000TW	G	White	4000K	8000	104.48	89.51	87.50
Accessories								
941-LMD80120C2A07030	LMD800-0120-C2A0-7030000	Description				71.64	61.38	60.00
941-LMH020HS081	LMH020-HS00-0000-0000081	Universal Power Supply Heat Sink for LMH2-850, 1250, 2000, 3000, 4000, 6000, 8000				37.31	31.96	31.25

CHEMICAL COMPATIBILITY KITS

Cree's Chemical Compatibility Kits provide an easy method for design engineers to test Cree MX6, XP-E and XR-E XLamp LEDs for the presence of incompatible volatile organic compounds (VOCs) in LED-based solid state lighting (SSL) designs which can impair the performance and reduce the lifetime of these illumination systems. Glues, conformal coatings, O-rings, gaskets, and potting compounds are materials frequently used in the construction of LED-based luminaires or lamps and often contain VOCs.

MOUSER STOCK NO.	Cree Part No.	Description	Price Each
941-CKK-6XRE	CKK-6XRE	LED Lighting XR-E Chemical Compatibility Kit	92.20
941-CKK-6MX6	CKK-6MX6	LED Lighting MX-6 Chemical Compatibility Kit	45.08
941-CKK-6XPE	CKK-6XPE	LED Lighting XP-E Chemical Compatibility Kit	52.89
941-CKK-18LED	CKK-18LED	LED Lighting Deluxe Chemical Compatibility Kit	166.65



High Brightness and High Power LEDs

RoHS Compliant This page of product is RoHS compliant.



EVERLIGHT HI-POWER LEDs

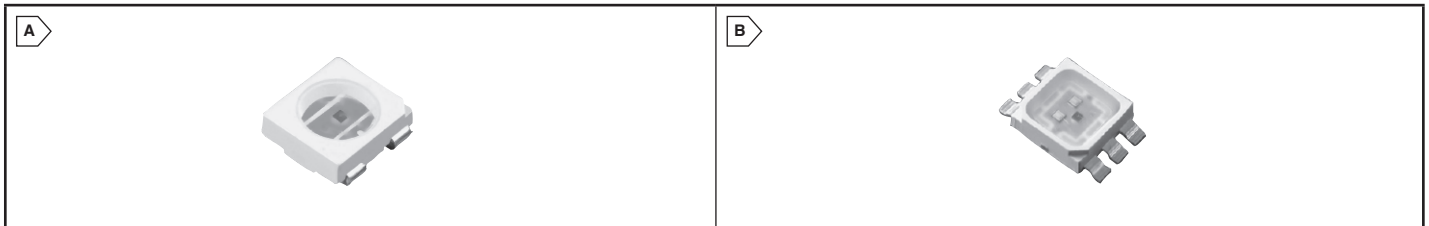
For quantities greater than listed, call for quote.

MOUSER STOCK NO.	Everlight Part No.	Fig.	Color	Wavelength/Color Temp.	Luminous Flux (lm)	Power (W)	Voltage (VDC)	Current (mA)	Viewing Angle (°)	Price Each				
										1	10	100	250	
1 Watt, 350mA														
638-SHF51R10LPMAR5R6	ELSH-F51R1-0LPNM-AR5R6	A	Red	630K	52	1	2.95	350	110	3.26	2.33	1.86	1.67	
638-SHF51O10LPMAR3R4	ELSH-F51O1-0LPNM-AR3R4	A	Orange	620K	52	1	2.95	350	120	3.26	2.33	1.86	1.67	
638-SHF41Y1-PNMAA3A5	ELSH-F41Y1-0LPNM-AA3A5	A	Amber	592K	45	1	2.95	350	120	3.26	2.33	1.86	1.67	
638-SHE61B1-PNMCB7B8	ELSH-E61B1-0LPNM-CB7B8	A	Blue	470K	13	1	3.85	350	120	3.26	2.33	1.86	1.67	
638-SHF71M10LPGSC300	ELSH-F71M1-0LPGS-C3000	A	Warm White	3000K	70	1	3.85	350	120	3.87	3.22	2.32	2.06	
638-SHF81N10LPGSC400	ELSH-F81N1-0LPGS-C4000	A	Neutral White	4000K	80	1	3.85	350	120	3.87	3.22	2.32	2.06	
638-SHF91C10LPGSC570	ELSH-F91C1-0LPGS-C5700	A	White	5700K	90	1	3.85	350	120	3.42	2.85	2.05	1.82	
638-SHF91C10LPGSC650	ELSH-F91C1-0LPGS-C6500	A	Cool White	6500K	90	1	3.85	350	120	3.42	2.85	2.05	1.82	
3 Watt, 700mA														
638-SHF81R30LPMBR4R6	ELSH-F81R3-0LPNM-BR4R6	A	Red	630K	80	3	2.95	700	110	4.08	3.40	2.45	2.18	
638-SHF81Y30LPMBR3A5	ELSH-F81Y3-0LPNM-BA3A5	A	Amber	592K	80	3	2.95	700	110	4.08	3.40	2.45	2.18	
638-SHF91G30LPMDG1G3	ELSH-F91G3-0LPNM-DG1G3	A	Green	535K	90	3	4.15	700	110	4.50	3.75	2.70	2.40	
638-SHE81B30LPMBDB6B8	ELSH-E81B3-0LPNM-DB6B8	A	Blue	470K	20	3	4.15	700	110	3.42	2.85	2.05	1.82	
638-SHJ21M30LPGSD300	ELSH-J21M3-0LPGS-D3000	A	Warm White	3000K	110	3	4.15	700	120	5.37	4.47	3.22	2.86	
638-SHJ61C30LPGSD570	ELSH-J61C3-0LPGS-D5700	A	White	5700K	150	3	4.15	700	120	4.50	3.75	2.70	2.40	
638-SHJ61C30LPGSD650	ELSH-J61C3-0LPGS-D6500	A	Cool White	6500K	150	3	4.15	700	120	4.50	3.75	2.70	2.40	
1 Watt, 350mA														
638-SWF51R10LPMAR5R6	ELSW-F51R1-0LPNM-AR5R6	B	Red	630K	52	1	2.65	350	115	3.26	2.33	1.86	1.67	
638-SWF81G10LPMCG1G2	ELSW-F81G1-0LPNM-CG1G2	B	Green	530K	80	1	3.85	350	115	4.08	3.40	2.45	2.18	
638-SWE71B10LPMCB7B8	ELSW-E71B1-0LPNM-CB7B8	B	Blue	470K	17	1	3.85	350	115	3.00	2.50	1.80	1.60	
638-SWF71M10LPGSC300	ELSW-F71M1-0LPGS-C3000	B	Warm White	3000K	70	1	3.85	350	115	3.87	3.22	2.32	2.06	
638-SWF91C10LPGSC650	ELSW-F91C1-0LPGS-C6500	B	Cool White	6500K	90	1	3.85	350	115	3.42	2.85	2.05	1.82	
3 Watt, 700mA														
638-SWJ61C30LPGSD570	ELSW-J61C3-0LPGS-D5700	B	White	5700K	150	3	4.15	700	115	4.50	3.75	2.70	2.40	
638-SWJ61C30LPGSD650	ELSW-J61C3-0LPGS-D6500	B	Cool White	6500K	150	3	4.15	700	115	4.50	3.75	2.70	2.40	

EVERLIGHT STANDARD LED SMD (SUPER BRIGHT) PLCC-2

For quantities greater than listed, call for quote.

MOUSER STOCK NO.	Everlight Part No.	Fig.	Color	Color Temp. (K)	Luminous Intensity Typ (mcd)	Typical DC (Vf)	Current (mA)	Viewing Angle (°)	Price Each			
									1	10	100	500
638-3528QB45562C4CB2	GT3528/Q2C-B45562C4CB2/2T	C	White	5000	2400	3.2	30	120	.44	.351	.224	.166
638-3020QB4556AC2CB2	GT3020/Q2C-B4556AC2CB2/2T	D	White	5000	2200	3.2	30	120	.44	.351	.224	.166
638-3020QB5063AC2CB2	GT3020/Q2C-B5063AC2CB2/2T	D	White	5500	2200	3.2	30	120	.44	.351	.224	.166
638-238QKB28322FAGBE	61-238/QK2C-B28322FAGB2/ET	E	White	3000	6000	3.2(3)	30	120	.92	.585	.512	.384
638-238QKB45562FAGBE	61-238/QK2C-B45562FAGB2/ET	E	White	5000	6000	3.2(3)	30	120	.92	.585	.512	.384
638-238QKB50632FAGBE	61-238/QK2C-B50632FAGB2/ET	E	White	6000	6000	3.2(3)	30	120	.92	.585	.512	.384
638-227BLKN3030N4P3S	62-227B/LK2C-N3030N4P3S2Z6/2T	F	White	3000	3000	6.4	100	120	.68	.624	.546	.494
638-227BKN3030N4P3S	62-227B/LK2C-N3030N4P3S2Z6/2T	F	White	3000	3000	6.4	100	120	.68	.624	.546	.494
638-227BLKN4040N4P3S	62-227B/LK2C-N4040N4P3S2Z6/2T	F	White	4000	4000	6.4	100	120	.68	.624	.546	.494
638-227BLKN5757P3P4S	62-227B/LK2C-N5757P3P4S2Z6/2T	F	White	5700	5700	6.4	100	120	.68	.624	.546	.494



Kingbright 0.5 WATT POWER LEDs

WWW.KINGBRIGHTUSA.COM

For quantities greater than listed, call for quote.

MOUSER STOCK NO.	Kingbright Part No.	Fig.	Color	Color Temperature/Wavelength	Luminous Flux (lm)	Power (W)	Forward Voltage (VDC)	Current (mA)	Viewing Angle (°)	Price Each			
										1	10	100	1000
604-AA3535SEL1Z1S	AA3535SEL1Z1S	A	Orange	618nm	9	510	2.9	150	120	.96	.607	.408	.408
604-AA3535SYL1Z1S	AA3535SYL1Z1S	A	Yellow	525nm	8	525	3.0	150	120	.96	.607	.408	.408
604-AAAF5051-04	AAAF5051-04	B	RGB	624/522/460nm	10/20/4.7	450/600/600	2.5/3.5/3.5	2.5/3.5/3.5	120	4.81	3.36	2.92	2.92

HEATRON LED Light Engines

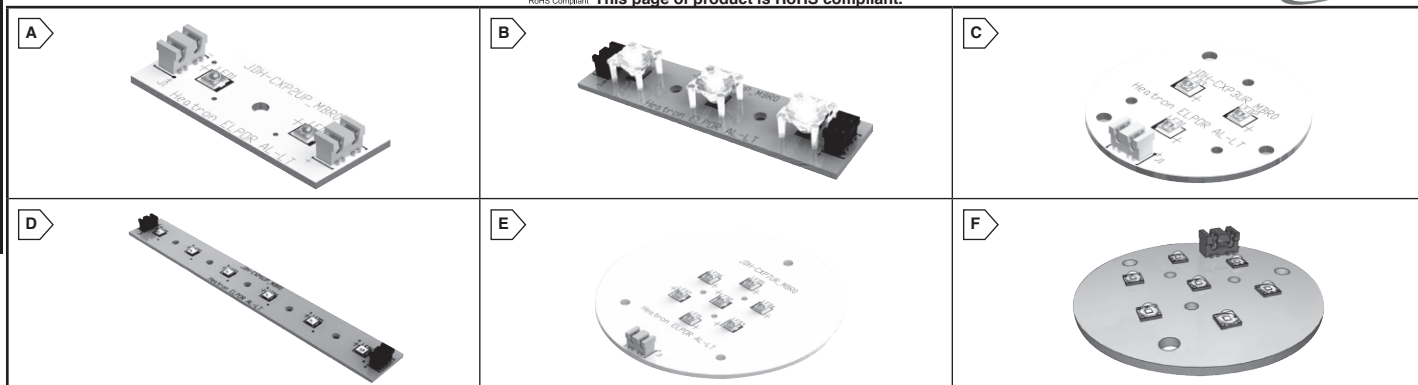


This page of product is RoHS compliant.



LED Lighting

Heatron



INNOVATION SERIES

Heatron's Innovation Series of Standard Light Engines were developed specifically for luminaire manufacturers allowing easy integration into any of their products. The Innovation Series is perfect for proof of concept, prototype or production builds without the NRE and tooling associated with LED development. These light engines are available in multiple color temperatures using Cree XPE and XPG emitters along with Lumileds Rebel and Rebel ES footprints. Heatron's linear light engines are available with a range of Carclo optics and our round light engine are available with a range of Khatod optics.

2-Up Linear Light Modules * With lens

For quantities greater than listed, call for quote.

MOUSER STOCK NO.	Heatron Part No.	Fig.	LED Option	No. of LEDs	Color	CCT Range (K)	Luminous Flux (lm)	Dimensions (mm)	Price Each		
									1	5	10
973-LMC02XPGWW094	JDHT-LMC02-XPG-WW-094	A	Cree XPG	2	Warm White	3000	188	47.2x19.1	16.91	16.40	15.89
* 973-LMC02XPGWW094CMB	JDHT-LMC02-XPG-WW-094-CMB	A	Cree XPG	2	Warm White	3000	188	47.2x19.1	21.20	20.56	19.92
973-LMC02XTEWW094	JDHT-LMC02-XTE-WW-094	A	Cree XTE	2	Warm White	3000	188	47.2x19.1	10.28	9.97	9.66
* 973-LMC02XTEWW094CMB	JDHT-LMC02-XTE-WW-094-CMB	A	Cree XTE	2	Warm White	3000	188	47.2x19.1	14.57	14.13	13.69

3-Up Light Modules * With lens

For quantities greater than listed, call for quote.

MOUSER STOCK NO.	Heatron Part No.	Fig.	LED Option	No. of LEDs	Color	CCT Range (K)	Luminous Flux (lm)	Dimensions (mm)	Price Each		
									1	5	10
Linear											
973-LMC03XPGWW094	JDHT-LMC03-XPG-WW-094	B	Cree XPG	3	Warm White	3000	282	70.9x19.1	25.16	24.40	23.64
* 973-LMC03XPGWW094CMB	JDHT-LMC03-XPG-WW-094-CMB	B	Cree XPG	3	Warm White	3000	282	70.9x19.1	31.60	30.64	29.68
973-LMC03XTEWW094	JDHT-LMC03-XTE-WW-094	B	Cree XTE	3	Warm White	3000	282	70.9x19.1	15.02	14.56	14.11
* 973-LMC03XTEWW094CMB	JDHT-LMC03-XTE-WW-094-CMB	B	Cree XTE	3	Warm White	3000	282	70.9x19.1	21.45	20.80	20.15
Round											
973-RMC03XPGWW094	JDHT-RMC03-XPG-WW-094	C	Cree XPG	3	Warm White	3000	282	45.7 Diam.	22.11	21.44	20.77
973-RMC03XTEWW094	JDHT-RMC03-XTE-WW-094	C	Cree XTE	3	Warm White	3000	282	45.7 Diam.	13.65	13.23	12.82

6-Up Linear Light Modules * With lens

For quantities greater than listed, call for quote.

MOUSER STOCK NO.	Heatron Part No.	Fig.	LED Option	No. of LEDs	Color	CCT Range (K)	Luminous Flux (lm)	Dimensions (mm)	Price Each		
									1	5	10
973-LMC06XPGWW094	JDHT-LMC06-XPG-WW-094	D	Cree XPG	6	Warm White	3000	564	141.7x19.1	43.18	41.87	40.56
* 973-LMC06XPGWW094CMB	JDHT-LMC06-XPG-WW-094-CMB	D	Cree XPG	6	Warm White	3000	564	141.7x19.1	56.05	54.35	52.65
973-LMC06XTEWW094	JDHT-LMC06-XTE-WW-094	D	Cree XTE	6	Warm White	3000	564	141.7x19.1	22.89	22.19	21.50
* 973-LMC06XTEWW094CMB	JDHT-LMC06-XTE-WW-094-CMB	D	Cree XTE	6	Warm White	3000	564	141.7x19.1	35.76	34.67	33.59

7-Up Round Light Modules

For quantities greater than listed, call for quote.

MOUSER STOCK NO.	Heatron Part No.	Fig.	LED Option	No. of LEDs	Color	CCT Range (K)	Luminous Flux (lm)	Dimensions (mm)	Price Each		
									1	5	10
973-RMC07XTEWW094	JDHT-RMC07-XTE-WW-094	E	Cree XTE	7	Warm White	3000	658	76.2 Diam.	38.45	37.28	36.12
973-RMC07XTEWW0941	JDHT-RMC07-XTE-WW-094-1	F	Cree XTE	7	Warm White	3000	658	76.2 Diam.	28.33	27.47	26.61
973-RMC07XPGWW094	JDHT-RMC07-XPG-WW-094	E	Cree XPG	7	Warm White	3000	658	76.2 Diam.	62.12	60.24	58.36
973-RMC07XPGWW0941	JDHT-RMC07-XPG-WW-094-1	F	Cree XPG	7	Warm White	3000	658	76.2 Diam.	52.01	50.43	48.86

LED INNOVATION KITS

Heatron's LED Innovation Kit gives you everything you need to move your next solid state lighting project from concept to production. The Innovation Kit gives you ten light engines there are designs and each of the five comes with 3000K Cree XPG and 4000K Lumileds Rebel emitters. Each light engine also comes with leads and a easy to use connector so that you can easily switch between light engines.

For quantities greater than listed, call for quote.

MOUSER STOCK NO.	Heatron Part No.	Description	Price Each	
			1	5
973-RKXTEWW094	JDHT-RK-XTE-WW-094	Round Cree XTE Module Kit with Wire Harness	103.94	99.94
973-RKXPGWW094	JDHT-RK-XPG-WW-094	Round Cree XPG Module Kit with Wire Harness	129.94	124.94
973-LKXTEWW094	JDHT-LK-XTE-WW-094	Linear Cree XTE Module Kit with Wire Harness	85.63	82.34
973-LKXPGWW094	JDHT-LK-XPG-WW-094	Linear Cree XPG Module Kit with Wire Harness	114.83	110.41

LED ENGIN High-Power LEDs

RoHS Compliant This page of product is RoHS compliant.

LED ENGIN

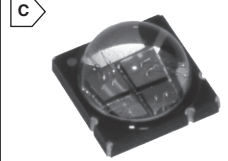
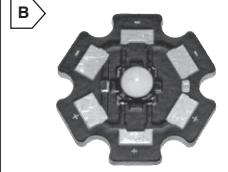
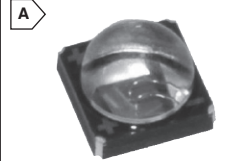
LED Lighting

LED Engin

LZ1 SERIES LEDS

For quantities greater than listed, call for quote.

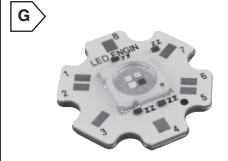
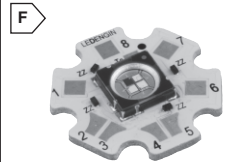
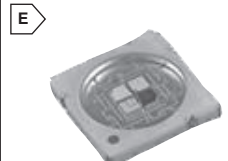
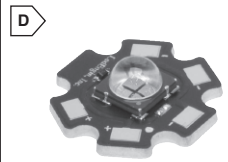
MOUSER STOCK NO.	LED Engin Part No.	Fig.	Color	Wavelength/ Color Temperature	Luminous Flux	Power (W)	Current (mA)	Price Each		
								1	10	100
LZ1 Series Emitter Only										
897-LZ100R300	LZ1-00R300	A	Far Red	740nm	405m/W	5	1000	7.59	5.31	4.42
897-LZ100R200	LZ1-00R200	A	Deep Red	660nm	720m/W	5	1000	6.73	4.69	4.08
897-LZ100R100	LZ1-00R100	A	Red	623nm	120lm	5	1000	6.73	4.69	4.08
897-LZ100A100	LZ1-00A100	A	Amber	590nm	105lm	5	1000	6.73	4.69	4.08
897-LZ100G100	LZ1-00G100	A	Green	525nm	150lm	5	1000	5.67	4.84	3.62
897-LZ100B200	LZ1-00B200	A	Blue	460nm	40lm	5	1000	6.73	4.69	4.08
897-LZ100DB00	LZ1-00DB00	A	Dental Blue	460nm	900 m/W	5	1000	28.05	26.92	16.26
897-LZ100CW00	LZ1-00CW00	A	Cool White	4500K	220lm	5	1000	6.73	4.69	4.08
LZ1 Series Emitter on Starboard										
897-LZ110R400	LZ1-10R400	B	Infrared	850nm	600m/W	5	1000	12.41	11.88	7.92
897-LZ110R500	LZ1-10R500-0000	B	Infrared	940nm	-	2	1000	11.62	9.92	7.41
897-LZ110R300	LZ1-10R300	B	Far Red	740nm	405m/W	5	1000	12.41	11.88	7.92
897-LZ110R200	LZ1-10R200	B	Deep Red	660nm	720m/W	5	1000	13.06	11.83	7.88
897-LZ110R100	LZ1-10R100	B	Red	623nm	120lm	5	1000	13.06	11.83	7.88
897-LZ110A100	LZ1-10A100	B	Amber	590nm	105lm	5	1000	13.06	11.83	7.88
897-LZ110G100	LZ1-10G100	B	Green	525nm	150lm	5	1000	11.89	11.38	7.59
897-LZ110B200	LZ1-10B200	B	Blue	460nm	40lm	5	1000	13.06	11.83	7.88
897-LZ110DB00	LZ1-10DB00	B	Dental Blue	460nm	900m/W	5	1000	32.16	28.42	21.69
897-LZ110WW00	LZ1-10WW00	B	Warm White	3100K	170lm	5	1000	13.06	11.83	7.88
897-LZ110NW00	LZ1-10NW00	B	Neutral White	4100K	200lm	5	1000	13.06	11.83	7.88
897-LZ110CW00	LZ1-10CW00	B	Cool White	5500K	220lm	5	1000	13.06	11.83	7.88



LZ4 SERIES LEDS

For quantities greater than listed, call for quote.

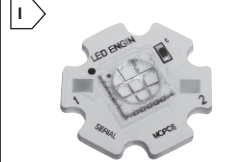
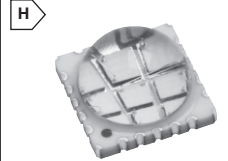
MOUSER STOCK NO.	LED Engin Part No.	Fig.	Color	Wavelength/ Color Temperature	Luminous Flux	Power (W)	Current (mA)	Price Each		
								1	10	100
LZ4 Series Emitter Only										
897-LZ440R508	LZ4-40R508-0000	C	Infrared	940nm	-	5	1000	21.86	20.92	13.95
897-LZ440R4080000	LZ4-00R408-0000	C	Infrared	850nm	-	5	700	17.03	16.37	10.80
897-LZ440R3080000	LZ4-00R308-0000	C	Red	740nm	2.1W	6.3	700	17.16	16.50	10.89
897-LZ440R1080000	LZ4-00R108-0000	C	Red	623nm	440lm	6.3	700	15.03	14.45	9.53
897-LZ440R2080000	LZ4-00R208-0000	C	Red	600nm	2.6W	7.4	700	15.03	14.45	9.53
897-LZ440A1080000	LZ4-00A108-0000	C	Amber	590nm	400lm	6.3	700	15.03	14.45	9.53
897-LZ440G1080000	LZ4-00G108-0000	C	Green	523nm	600lm	10	700	17.73	17.05	11.25
897-LZ440B2080000	LZ4-00B208-0000	C	Blue	460nm	130lm	10	700	15.03	14.45	9.53
897-LZ440MA00	LZ4-00MA00	C	RGBA	-	85/140/30/75	10	700	18.92	16.15	12.07
897-LZ440MD00	LZ4-00MD00	C	RGBW	-	85/140/30/170	10	700	18.92	16.15	12.07
897-LZ440MC00	LZ4-00MC00	C	RGB	-	85/280/30	10	700	18.92	16.15	12.07
897-LZ440WW080030	LZ4-00WW08-0030	C	Warm White	3000K	550lm	10	700	17.73	17.05	11.25
897-LZ440WW00	LZ4-00WW00	C	Warm White	3100K	520lm	10	700	21.16	20.35	13.43
897-LZ440NW080040	LZ4-00NW08-0040	C	Neutral White	4000K	610lm	10	700	17.73	17.05	11.25
897-LZ440CW080065	LZ4-00CW08-0065	C	Cool White	6500K	680lm	10	700	20.88	20.07	13.24
LZ4 Series Emitter on Starboard, 4 Channel Control										
897-LZ420MC00	LZ4-20MC00	D	RGB	-	85/280/30	10	700	22.47	19.85	15.15
897-LZ420MA00	LZ4-20MA00	D	RGBA	-	85/140/30/75	10	700	22.47	19.85	15.15
897-LZ420MD00	LZ4-20MD00	D	RGBW	-	85/140/30/170	10	700	22.47	19.85	15.15
LZ4 Series Emitter on Starboard, Single Channel Control										
897-LZ440R400	LZ4-40R400	D	Infrared	850nm	2400m/W	10	700	24.72	21.84	16.67
897-LZ440R3080000	LZ4-40R308-0000	D	Far Red	740nm	2.1W	6.3	700	21.97	21.03	14.02
897-LZ440R2080000	LZ4-40R208-0000	D	Deep Red	660nm	2.6W	7.4	700	20.05	19.19	12.79
897-LZ440R1080000	LZ4-40R108-0000	D	Red	623nm	440lm	6.3	700	20.05	19.19	12.79
897-LZ440A1080000	LZ4-40A108-0000	D	Amber	590nm	400lm	6.3	700	20.05	19.19	12.79
897-LZ440G1080000	LZ4-40G108-0000	D	Green	523nm	600lm	10	700	22.49	21.53	14.35
897-LZ440B2080000	LZ4-40B208-0000	D	Blue	460nm	130lm	10	700	20.05	19.19	12.79
897-LZ440GW08-23	LZ4-40GW08-0230	C	Gallery White	3000K	450lm	10	700	23.18	20.48	15.63
897-LZ440WW080030	LZ4-40WW08-0030	D	Warm White	3000K	550lm	10	700	22.49	21.53	14.35
897-LZ440NW080040	LZ4-40NW08-0040	D	Neutral White	4000K	610lm	10	700	22.49	21.53	14.35
897-LZ440SW08	LZ4-40SW08-0000	C	Studio White	5300K	600lm	10	700	25.95	22.15	16.55
897-LZ440CW080065	LZ4-40CW08-0065	D	Cool White	6500K	680lm	10	700	23.18	20.48	15.63
LZ4 Series Flat Lens Emitters										
897-LZ440MDC9	LZ4-04MDC9-0000	E	RGBW	623/523/460nm/6500K	65/125/30/130	10	700	25.04	24.07	15.88
897-LZ440MDC9	LZ4-04MDC9-0000	E	RGBW	623/523/460nm/6500K	65/125/30/130	10	700	21.16	20.35	13.43
897-LZ424MDC9	LZ4-24MDC9-0000	F	RGBW	623/523/460nm/6500K	65/125/30/180	10	700	26.62	23.52	17.95
897-LZ464MDC9	LZ4-64MDC9-0000	G	RGBW	623/523/460nm/6500K	65/125/30/180	10	700	23.41	20.69	15.79



LZ9 SERIES LEDS

For quantities greater than listed, call for quote.

MOUSER STOCK NO.	LED Engin Part No.	Fig.	Color	Color Temperature (K)	CRI	Luminous Flux (lm)	Power (W)	Current (mA)	Price Each		
									1	10	100
Emitter Only (1x3) String											
897-LZ900WW000030	LZ9-00WW00-0030	H	Warm White	3000K	80	1430	20	700	32.13	28.40	21.67
Emitter on Starboard (1x9) String, Single Channel Connection											
897-LZ90JWW000027	LZ9-J0WW00-0027	I	Warm White	2700K	80	1430	20	700	37.84	33.44	25.52
897-LZ90JWW000030	LZ9-J0WW00-0030	I	Warm White	3000K	80	1430	20	700	37.84	33.44	25.52
897-LZ90JGW00-23	LZ9-J0GW00-0230	I	Gallery White	3000K	97	1060	20	700	49.02	41.73	35.82
897-LZ90JWW000035	LZ9-J0WW00-0035	I	Warm White	3500K	80	1430	20	700	37.84	33.44	25.52
897-LZ90JNW000040	LZ9-J0NW00-0040	I	Neutral White	4000K	80	1650	20	700	37.84	33.44	25.52
897-LZ90JSW00	LZ9-J0SW00-0000	I	Studio White	5300K	85	1430	20	700	45.98	40.63	31.01
897-LZ90JCW000055	LZ9-J0CW00-0055	I	Cool White	5500K	70	1800	20	700	37.84	33.44	25.52
897-LZ90JCW000065	LZ9-J0CW00-0065	I	Cool White	6500K	70	1800	20	700	37.84	33.44	25.52
Emitter on Starboard (3x3) String, Three Channel Connection											
897-LZ9M0WW000027	LZ9-M0WW00-0027	I	Warm White	2700K	80	1430	20	700	37.84	33.44	25.52
897-LZ9M0WW000030	LZ9-M0WW00-0030	I	Warm White	3000K	80	1430	20	700	37.84	33.44	25.52
897-LZ9M0WW000035	LZ9-M0WW00-0035	I	Warm White	3500K	80	1430	20	700	37.15	32.83	25.05
897-LZ9M0NW000040	LZ9-M0NW00-0040	I	Neutral White	4000K	80	1650	20	700	37.84	33.44	25.52
897-LZ9M0CW000055	LZ9-M0CW00-0055	I	Cool White	5500K	70	1800	20	700	37.84	33.44	25.52
897-LZ9M0CW000065	LZ9-M0CW00-0065	I	Cool White	6500K	70	1800	20	700	37.84	33.44	25.52



LED ENGIN High-Power LEDs

RoHS Compliant This page of product is RoHS compliant.

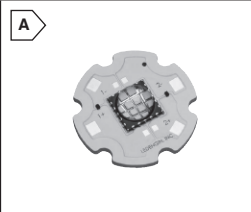


LZC SERIES LEDs

LZC Series Emitter on Starboard, Single Channel

For quantities greater than listed, call for quote.

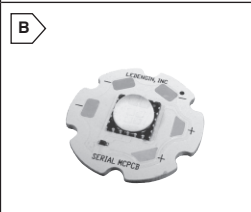
MOUSER STOCK NO.	LED Engin Part No.	Fig.	Color	Wavelength/Color Temperature (K)	Luminous Flux (lm)	Power (W)	Current (mA)	Price Each		
								1	10	100
897-LZC70WW0R0030	LZC-70WW0R-0030	A	Warm White	3000	1900	40	700	48.44	41.23	35.39
897-LZC70NW0R0040	LZC-70NW0R-0040	A	Neutral White	4000	2200	40	700	48.44	41.23	35.39
897-LZC70CW0R0065	LZC-70CW0R-0065	A	Cool White	6500	2350	40	700	48.44	41.23	35.39



LZC Series Emitter on Starboard, 2 Channel

For quantities greater than listed, call for quote.

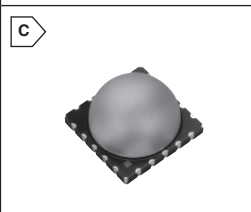
MOUSER STOCK NO.	LED Engin Part No.	Fig.	Color	Wavelength/Color Temperature (K)	Luminous Flux (lm)	Power (W)	Current (mA)	Price Each		
								1	10	100
897-LZCC0GW00-23	LZC-C0GW00-0230	B	Gallery White	3000	1300	40	700	53.90	47.74	42.35
897-LZCC0WW0R0030	LZC-C0WW0R-0030	B	Warm White	3000	1900	40	700	48.44	41.23	35.39
897-LZCC0NW0R0040	LZC-C0NW0R-0040	B	Neutral White	4000	2200	40	700	48.44	41.23	35.39
897-LZCC0SW00	LZC-C0SW00-0000	B	Studio White	5300	1750	40	700	48.44	41.23	35.39
897-LZCC0CW0R0065	LZC-C0CW0R-0065	B	Cool White	6500	2350	40	700	48.44	41.23	35.39



LZC Series Emitter - Multi Color

For quantities greater than listed, call for quote.

MOUSER STOCK NO.	LED Engin Part No.	Fig.	Color	Wavelength/Color Temperature (K)	Luminous Flux (lm)	Power (W)	Current (mA)	Price Each		
								1	10	100
897-LZC03MA07	LZC-03MA07	C	RGBA	625/523/462/590	270/365/100/250	40	700	50.60	46.20	31.35
897-LZC03MD07	LZC-03MD07	C	RGBW	623/523/462/5500	270/420/100/505	40	700	50.60	46.20	31.35



LZC Series Emitter on Starboard - Multi Color

For quantities greater than listed, call for quote.

MOUSER STOCK NO.	LED Engin Part No.	Fig.	Color	Wavelength/Color Temperature (K)	Luminous Flux (lm)	Power (W)	Current (mA)	Price Each		
								1	10	100
897-LZC83MC00	LZC-83MC00	D	RGB	-	360/490/135	40	700	52.69	44.86	38.51
897-LZCB3MA07	LZC-B3MA07	D	RGBA	-	270/365/100/250	40	700	57.92	49.30	42.32
897-LZCB3MD07	LZC-B3MD07	D	RGBW	-	270/365/100/505	40	700	57.92	49.30	42.32



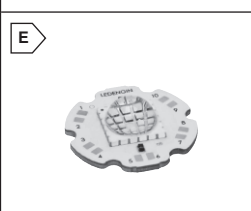
LZP SERIES LEDs

LED Engin LZP Series 90W LED emitters generate up to 5500 lumen (CCT of 5500K) and 3000lm (CCT of 3100K) in an unprecedented compact 12mm x 12mm x 6.7mm (LxWxH) package. LedEngin LZP Series high performance LED emitters replace 35W metal halide (MH) bulbs or 50W high pressure sodium (HID) bulbs achieving the high flux required in applications such as high bay lighting, architectural lighting, street/area lighting, and stage and studio moving heads.

LZP Series Emitter on Starboard, 5 Channel

For quantities greater than listed, call for quote.

MOUSER STOCK NO.	LED Engin Part No.	Fig.	Color	Wavelength/Color Temperature (K)	Luminous Flux (lm)	Power (W)	Current (mA)	Price Each		
								1	10	100
897-LZPD0WW0R0030	LZP-D0WW0R-0030	E	Warm White	3000	3600	90	700	73.95	66.82	59.25
897-LZPD0NW0R0040	LZP-D0NW0R-0040	E	Neutral White	4000	4100	90	700	73.95	66.82	59.25
897-LZPD0CW0R0065	LZP-D0CW0R-0065	E	Cool White	6500	4400	90	700	86.96	81.15	73.04



SECONDARY LENS

Lens for LZ4 Series, Single Color LEDs

For quantities greater than listed, call for quote.

MOUSER STOCK NO.	LED Engin Part No.	Fig.	Type	Viewing Angle (°)	Optical Efficiency (%)	Operating Temperature	Price Each		
							1	10	100
897-LLNS1T06H	LLNS-1T06-H	F	Spot	12	90	-40°C to 110°C	6.24	5.20	3.74
897-LLNF1T06H	LLNF-1T06-H	F	Narrow Flood	23	90	-40°C to 110°C	6.24	5.20	3.74
897-LLFL1T06H	LLFL-1T06-H	F	Flood	37	90	-40°C to 110°C	6.24	5.20	3.74



Lens for LZ4 Series, Color Mixing for RGB, RGBA, RGBW LEDs

For quantities greater than listed, call for quote.

897-LLSP1T06H	LLSP-1T06-H	F	High Mixing	18	90	-40°C to 110°C	6.24	5.20	3.74
---------------	-------------	---	-------------	----	----	----------------	------	------	------

Lens for LZ9 Series

For quantities greater than listed, call for quote.

897-LLSP3T06H	LLSP-3T06-H	G	Spot	17	90	-40°C to 110°C	6.24	5.20	3.74
897-LLNF3T06H	LLNF-3T06-H	G	Narrow Flood	29	90	-40°C to 110°C	6.24	5.20	3.74
897-LLFL3T06H	LLFL-3T06-H	G	Flood	39	90	-40°C to 110°C	6.24	5.20	3.74



Lens for LZC Series

For quantities greater than listed, call for quote.

897-LLNS3T08H	LLNS-3T08-H	E	Narrow Spot	8	90	-40°C to 110°C	12.69	12.15	8.10
897-LLSP3T08H	LLSP-3T08-H	E	Spot	15	80	-40°C to 110°C	7.39	5.15	4.48
897-LLNF3T08H	LLNF-3T08-H	E	Narrow Flood	22	80	-40°C to 110°C	6.48	5.40	3.88
897-LLWF3T08H	LLWF-3T08-H	E	Wide Flood	45	80	-40°C to 110°C	6.48	5.40	3.88



Lens for LZP Series, High Efficiency Lens

For quantities greater than listed, call for quote.

897-LLSP3T11H	LLSP-3T11-H	H	Spot	15	85	-40°C to 110°C	12.69	12.15	8.10
897-LLNF3T11H	LLNF-3T11-H	H	Narrow Flood	23	80	-40°C to 110°C	12.69	12.15	8.10
897-LLFL3T11H	LLFL-3T11-H	H	Flood	32	80	-40°C to 110°C	12.69	12.15	8.10

LEDIL OY Secondary Optics



LED Lighting
Ledil Oy

LENSES FOR AVAGO JADE SERIES LEDs

For quantities greater than listed, call for quote.

MOUSER STOCK NO.		Dia. (mm)	Angle (FWHM)	Optic Type	Price Each			
Mfr.	Mfr. Part No.				1	10	50	100
Jade Series								
928	CA1234621RSW	16.1	15	Single Lens	3.62	3.02	2.54	2.19
928	CA12347T2DW	16.1	17	Single Lens	3.62	3.02	2.54	2.19
928	CA12348T2MW	16.1	30	Single Lens	3.62	3.02	2.54	2.19
928	CA12349T2OW	16.1	36+18	Single Lens	2.96	2.46	2.09	1.82
928	CA12350T2WW	16.1	51	Single Lens	2.96	2.46	2.09	1.82

OPTICS FOR CREE LEDs

For quantities greater than listed, call for quote.

MOUSER STOCK NO.		Dia. (mm)	Angle (FWHM)	Optic Type	Price Each			
Mfr.	Mfr. Part No.				1	10	50	100
CXA 1507 and CXA 1512								
928	CN13990SAGAHBIPW	50	58	Single Lens	11.54	10.46	7.03	6.97
CXA 2011								
928	CN12638LENINAS	74	16	Reflector	12.36	11.19	9.33	7.46
928	CN12639LENINAM	74	28	Reflector	12.36	11.19	9.33	7.46
928	CN12640LENINAW	74	50	Reflector	12.36	11.19	9.33	7.46
MP-L Series								
928	C11394TS	74	28	Reflector	3.41	3.14	2.86	2.45
928	C11395TM	74	28	Reflector	4.13	3.81	3.53	3.03
928	C11396TW	74	28	Reflector	2.74	2.53	2.30	1.97
928	CA11475T2ST	74	28	Reflector	2.64	2.44	2.22	1.91
928	CA11476T2MT	74	28	Reflector	2.59	2.39	2.22	1.99
928	CA11477T2WT	74	28	Reflector	2.72	2.51	2.33	2.00
MT-G Series								
928	C12095MNM	32.4	26	Reflector	2.93	2.57	2.07	1.77
928	C12097MNNWWW	32.4	74	Reflector	3.67	3.21	2.60	2.20
MT-G / MT-G2 Series								
928	CA12239MNM	35	26 / 27	Reflector	5.57	4.58	3.95	3.38
928	CA12240MNNWWW	35	74 / 69	Reflector	11.00	9.08	7.85	6.76
MX-3, MX-6 Series								
928	CA11171TRSBLK	16.1	18	Single Lens	3.62	3.02	2.54	2.19
928	CA11172TINA2DBLK	16.1	20	Single Lens	3.42	2.96	2.42	2.10
928	CA11174TINA2MBLK	16.1	30	Single Lens	3.42	2.96	2.42	2.10
928	CA11175T2WBLK	16.1	40	Single Lens	3.47	2.90	2.44	2.10
928	CA11176TINA2WBLK	16.1	56	Single Lens	3.42	2.96	2.42	2.10
928	CA11173TINA2OBLK	16.1	34+21	Single Lens	3.42	2.96	2.42	2.10
928	FA11452LN2M2	21.6	30	Single Lens	3.69	3.19	2.63	2.27
928	FA10698LN2R	21.6	27+26	Single Lens	3.69	3.19	2.63	2.27
928	FA11108LN2O90	21.6	40+19	Single Lens	3.69	3.19	2.63	2.27
928	C10373N7M	38	20	7 in 1 Lens	5.85	5.07	4.18	3.59
928	C10633N7MD	38	26	7 in 1 Lens	5.85	5.07	4.18	3.59
928	C10585N7M7	38	36	7 in 1 Lens	5.85	5.07	4.18	3.59
928	C10586N7M7W	38	54	7 in 1 Lens	5.85	5.07	4.18	3.59
928	C12226SFW	Rect	Asym	Single Lens	2.96	2.46	2.09	1.82
928	CA12238SFW	Rect	Asym	Single Lens	4.14	3.46	2.91	2.51
XB-D Series								
928	CP12671TINA2D	16.1	14	Single Lens	3.20	2.68	2.25	1.93
928	CP12672TINAM	16.1	29	Single Lens	3.20	2.68	2.25	1.93
928	CP12673TINA2O	16.1	35+14	Single Lens	3.26	2.83	2.33	2.02
928	CP12674TINA2W	16.1	39	Single Lens	3.24	2.71	2.12	1.95
928	CA12584LXB2RS2	21.6	9	Single Lens	3.66	3.05	2.63	2.20
928	CA12665LXB2D	21.6	12	Single Lens	2.51	2.17	1.79	1.55
928	CA12666LXB2M	21.6	22	Single Lens	2.51	2.17	1.79	1.55
928	CA12667LXB2W	21.6	41	Single Lens	2.51	2.17	1.79	1.55
928	CA12844LXB2O90	21.6	10+36	Single Lens	3.27	2.84	2.33	2.02
XT-E Series								
928	CA12816LXP2RS2	21.6	8	Single Lens	3.66	3.05	2.63	2.20
XT-E Series								
928	CP12200EVAWW	37.7	64	Single Lens	2.94	2.54	2.10	1.81

OPTICS FOR LED ENGIN LEDs

For quantities greater than listed, call for quote.

MOUSER STOCK NO.		Dia. (mm)	Angle (FWHM)	Optic Type	Price Each			
Mfr.	Mfr. Part No.				1	10	50	100
Leila Series								
928	FA10784LE1RS	21.6	8	Single Lens	2.57	2.22	1.82	1.55
928	FA10786LE1D	21.6	10	Single Lens	3.07	2.57	2.16	1.82
928	FA10783LE1M	21.6	24	Single Lens	3.07	2.57	2.16	1.82
928	FCN11454LE1M2	21.6	30	Single Lens	3.07	2.57	2.16	1.82
928	FA10785LE1REC	21.6	38+24	Single Lens	3.07	2.57	2.16	1.82
928	FA11103LE1O90	21.6	40+20	Single Lens	3.07	2.57	2.16	1.82
SST-50 / SST-90 Series								
928	C10437BR	19.8	28 / 32	Reflector	3.20	2.68	2.25	1.94

OPTICS FOR LUMINUS DEVICES LEDs

For quantities greater than listed, call for quote.

MOUSER STOCK NO.		Dia. (mm)	Angle (FWHM)	Optic Type	Price Each			
Mfr.	Mfr. Part No.				1	10	50	100
SST-50 / SST-90 Series								
928	C10977LILYS	22.6	20 / 24	Reflector	3.47	2.90	2.44	2.10
928	C10978LILYM	22.6	30 / 26	Reflector	3.47	2.90	2.44	2.10
928	C10979LILYW	22.6	45 / 56	Reflector	3.47	2.90	2.44	2.10

OPTICS FOR OSRAM OPTOSEMICONDUCTOR LEDs

For quantities greater than listed, call for quote.

MOUSER STOCK NO.		Dia. (mm)	Angle (FWHM)	Optic Type	Price Each			
Mfr.	Mfr. Part No.				1	10	50	100
OSLON SSL-80 / SSL-150 / OSLON Square EC								
928	FP11084LI2RSC	9.9	16/16	Single Lens	3.95	2.77	2.59	2.37
928	FP11081LI2MC	9.9	23/25	Single Lens	3.75	3.13	2.64	2.23
928	FP11082LI2WC	9.9	36/46	Single Lens	3.95	2.77	2.59	2.37
928	FP11083LI2WWC	9.9	61/45	Single Lens	3.69	3.19	2.62	2.27
928	FP11120LI2OC	9.9	48 + 19	Single Lens	3.68	3.07	2.59	2.37
928	FP11124LI2OP	9.9	48 + 19	Single Lens	3.75	3.13	2.64	2.23
928	FP11857LI2O90C	9.9	48 + 19	Single Lens	3.90	3.25	2.74	2.36
928	FP11047LI2RSP	9.9	16/16/21	Single Lens	3.45	2.88	2.43	2.09
928	FP11001LI2MP	9.9	23/25/29.5	Single Lens	3.75	3.13	2.64	2.23
928	FP11002LI2WP	9.9	36/46/47.5	Single Lens	3.75	3.13	2.64	2.23
928	FP11003LI2WWP	9.9	61/45/58	Single Lens	3.75	3.13	2.64	2.23
928	FP11852LI2O90P	9.9	-	Single Lens	3.55	3.07	2.53	2.15
Osion Square PC								
928	C13858STRADA2X2X	50x50	Asym	Single Lens	4.91	4.10	3.15	2.95
OSTAR Lighting								
928	CN10861IR	38	11	Single Lens	9.92	8.99	8.87	6.00
OSTAR Lighting Plus								
928	FA11109LRS	21.6	8	Single Lens	2.67	2.31	1.90	1.65
928	FA11110LD	21.6	25	Single Lens	3.55	3.07	2.53	2.19
928	FA11112LM	21.6	30	Single Lens	3.69	3.19	2.63	2.27
928	FA11113LW	21.6	31	Single Lens	3.69	3.19	2.63	2.27
928	FA11114LO90	21.6	36+24	Single Lens	3.69	3.19	2.63	2.27
928	FA11115LREC	21.6	36+29	Single Lens	3.69	3.19	2.63	2.27
928	FA111463LM2	21.6	-	Single Lens	3.69	3.19	2.63	2.27
928	FA11893LWW	21.6	42	Single Lens	3.55	3.07	2.53	2.19
OSTAR SMT RGB								
928	CP10960RGBXSS	30	18	Single Lens	7.09	6.42	5.33	4.19
Irene Series								
928	CP13070IRENEIR8	21.6	32+32	Single Lens	2.67	2.34	1.90	1.65
928	CP13071IRENEIR12	21.6	25+25	Single Lens	2.67	2.34	1.90	1.65
928	CP13072IRENEIR16	21.6	-	Single Lens	1.52	1.33	1.08	1.08
Golden Dragon Plus								
928	FA10642TID	16.1	13	Single Lens	3.75	3.13	2.64	2.27
928	FA10643TIM	16.1	30	Single Lens	3.75	3.13	2.64	2.27
928	FA10886TIRS	16.1	10	Single Lens	3.75	3.13	2.64	2.27
928	FA11199TOPO	16.1	14+34	Single Lens	3.69	3.19	2.63	2.27
928	CA11136LO2W	21.6	44	Single Lens	3.95	3.29	2.48	2.37
928	FA10750LO2M	21.6	26	Single Lens	3.95	3.29	2.59	2.37
928	FA10751LO2RS	21.6	7	Single Lens	3.95	3.29	2.47	2.37
928	FA10752LO2R	21.6	38+24	Single Lens	3.75	3.13	2.64	2.27
928	FA10753LO2D	21.6	11	Single Lens	3.95	3.29	2.48	2.37
928	FA11135LO2O90	21.6	41+12	Single Lens	3.69	3.19	2.63	2.27
Platinum Dragon								
928	CA11956ES	30.4	7	Single Lens	7.74	6.69	5.55	4.92
928	CA11337EO	30.4	8+34	Single Lens	7.74	6.69	5.55	4.92

OPTICS FOR PHILIPS LUMILEDS LEDs

For quantities greater than listed, call for quote.

MOUSER STOCK NO.		Dia. (mm)	Angle (FWHM)	Optic Type	Price Each			
Mfr.	Mfr. Part No.				1	10	50	100
LUXEON M and MZ Series								
928	C12767HBSQA	25	50	Single Lens	3.95	3.29	2.83	2.37
928	C11862MINW	32.4	36	Reflector	3.66	3.21	2.60	2.22
928	CA12878MRM	35	25	Single Lens	3.55	3.07	2.75	2.54
928	CA12879MRW	35	39	Single Lens	2.31	2.02	1.95	1.88
928	CA12880MRWW	35	57	Single Lens	4.46	3.76	3.25	2.75
928	CA12881MINM	35	21	Reflector	5.63	4.95	4.00	3.49
928	CA12882MINW	35	29	Reflector	4.98	4.38	3.55	3.08
928	CA12883MINW	35	63	Reflector	4.62	3.80	3.28	2.75
928	CA12802ED	37.7	21	Single Lens	4.78	3.99	3.43	2.87
928	CA12803EM	37.7	26	Single Lens	2.16	1.89	1.82	1.61
928	CA12804EW	37.7	26	Single Lens	4.78	3.98	3.42	2.86
928	CA12805EWW	37.7	65	Single Lens	4.78	3.9		

Lenses for High Power LEDs



This page of product is RoHS compliant.

LEDLINK OPTICS LENSES FOR HIGH POWER LEDs

For quantities greater than listed, call for quote.

MOUSER STOCK NO.	LEDLink Optics Part No.	Lens Type	Dimensions (mm)	Viewing Angle	Fitting LED			Price Each			
					CREE	OSRAM	SEOUL	1	50	100	500
385-LL01CR-ADP15L06	LL01CR-ADP15L06	Single	75.8x35.2	15°	MTG, MT-G2	-	-	12.19	11.08	10.55	10.05
385-LL1CR-ADP24L06	LL01CR-ADP24L06	Single	75.8x35.2	24°	MTG, MT-G2	-	-	12.19	11.08	10.55	10.05
385-LL01CR-ADP38L06	LL01CR-ADP38L06	Single	75.8x35.2	38°	MTG, MT-G2	-	-	12.19	11.08	10.55	10.05
385-LL1CR-NE15L06-M2	LL01CR-NE15L06-M2	Single	19.4x15	15°	XPE, XPE-HEW, XPG, XBD, XP-G2	SSL80, SSL150, Square	-	2.04	1.85	1.76	1.68
385-LL1CR-NE25L06-M2	LL01CR-NE25L06-M2	Single	19.4x15	25°	XPE, XPE-HEW, XPG, XBD, XP-G2	SSL80, SSL150, Square	-	2.04	1.85	1.76	1.68
385-LL1CR-NE40L06-M2	LL01CR-NE40L06-M2	Single	19.4x15	40°	XPE, XPE-HEW, XPG, XBD, XP-G2	SSL80, SSL150, Square	-	2.04	1.85	1.76	1.68
385-LL1CR-NE80L06-M2	LL01CR-NE80L06-M2	Single	19.4x15	80°	XPE, XPE-HEW, XPG, XBD, XP-G2	SSL80, SSL150, Square	-	2.04	1.85	1.76	1.68
385-LL01CR-BEX25L06	LL01CR-BEX25L06	Single	20.9x9.2	25°	XPG, XBD, XP-G2	-	-	2.04	1.85	1.76	1.68
385-LL01CR-BEX40L06	LL01CR-BEX40L06	Single	20.9x9.2	40°	XPG, XBD, XP-G2	-	-	2.04	1.85	1.76	1.68
385-LL01CR-BEX60L06	LL01CR-BEX60L06	Single	20.9x9.2	60°	XPG, XBD, XP-G2	-	-	2.04	1.85	1.76	1.68
385-LL01CR-BNE25L06	LL01CR-BNE25L06	Single	19.4x14.9	25°	XP-G2, XBD	Square	-	2.04	1.85	1.76	1.68
385-LL01CR-BNE40L06	LL01CR-BNE40L06	Single	19.4x14.9	40°	XP-G2, XBD	Square	-	2.04	1.85	1.76	1.68
385-LL01CR-BNE60L06	LL01CR-BNE60L06	Single	19.4x14.9	60°	XP-G2, XBD	Square	-	2.04	1.85	1.76	1.68
385-LL01CR-BDF40L06	LL01CR-BDF40L06	Single	11.8x6	40°	XP-G2, XBD	Square	-	2.04	1.85	1.76	1.68
385-LL01CR-BDF60L06	LL01CR-BDF60L06	Single	11.8x6	60°	XP-G2, XBD	Square	-	2.04	1.85	1.76	1.68
385-LL1CR-OT25L06-M2	LL01CR-OT25L06-M2	Single	15x10.45	25°	XPG	-	-	2.04	1.85	1.76	1.68
385-LL1CR-OT40L06-M2	LL01CR-OT40L06-M2	Single	15x10.45	40°	XPG	-	-	2.04	1.85	1.76	1.68
385-LL1CR-OT60L06-M2	LL01CR-OT60L06-M2	Single	15x10.45	60°	XPG	-	-	2.04	1.85	1.76	1.68
385-LL1CR-OT80L06-M2	LL01CR-OT80L06-M2	Single	15x10.45	80°	XPG	-	-	2.04	1.85	1.76	1.68
385-LL01CR-DF40L	LL01CR-DF40L	Single	11.8x6.6	40°	XPE	-	-	1.62	1.47	1.40	1.33
385-LL01CR-DF60L	LL01CR-DF60L	Single	11.8x6.6	60°	XPE	-	-	1.62	1.47	1.40	1.33
385-LL01CR-DF25L-M2	LL01CR-DF25L-M2	Single	13.5x7.1	25°	XPE	-	-	1.69	1.54	1.47	1.40
385-LL01ZZ-EX10L-M2	LL01ZZ-EX10L-M2	Single	22.4x9.8	10°	XPE	-	-	1.69	1.54	1.47	1.40
385-LL06ED-AE25L	LL06ED-AE25L	6in1	73.2x13.5	25°	XPE, XRE	Osion, GD+	Z5, P4	6.92	6.29	5.99	5.70

DBM OPTIX LENSES FOR HIGH POWER LEDs

For quantities greater than listed, call for quote.

MOUSER STOCK NO.	DBM Optix Part No.	Beam Type	Half Angle Divergence	Curve Type	Diameter	Material	Operating Temperature	Price Each			
								1	50	100	500
Osram - Golden Dragon											
735-O-001	O-001	Wide	29°	Flat	13mm	PMMA HT	-40°C+110°C	2.26	2.03	1.86	1.70
735-O-002S	O-002s	Very Narrow	6°	Peak	13mm	PMMA HT	-40°C+110°C	2.26	2.03	1.86	1.70
735-O-003	O-003	Medium	16°	Peak	13mm	PMMA HT	-40°C+110°C	2.26	2.03	1.86	1.70
735-O-003S	O-003s	Medium	18°	Flat	13mm	PMMA HT	-40°C+110°C	2.26	2.03	1.86	1.70
735-O-005S	O-005s	Very Narrow	5°	Peak/Flat	14.5mm	PMMA	-40°C+90°C	2.26	2.03	1.86	1.70
735-O-006	O-006	Medium	15°	Peak	14.5mm	PMMA	-40°C+90°C	2.26	2.03	1.86	1.70
735-O-007	O-007	Wide	30°	Peak	14.5mm	PMMA	-40°C+90°C	2.26	2.03	1.86	1.70
Citizen - Orion CL - L100											
735-C-001	C-001	Wide	30°	Flat	50mmx17mm	PMMA HT	-40°C+110°C	2.92	2.63	2.41	2.19
735-C-002	C-002	Narrow	6°	Peak	50mmx17mm	PMMA HT	-40°C+110°C	2.92	2.63	2.41	2.19
735-C-003	C-003	Medium	15°	Flat	50mmx17mm	PMMA HT	-40°C+110°C	2.92	2.63	2.41	2.19
Lumiled - Luxeon Rebel											
735-R-001	R-001	Wide	29°	Flat	18mm	PMMA HT	-40°C+110°C	2.32	2.09	1.91	1.74
735-R-001S	R-001s	Wide	28°	Flat	18mm	PMMA HT	-40°C+110°C	2.32	2.09	1.91	1.74
735-R-002	R-002	Narrow	11°	Peak	18mm	PMMA HT 121	-40°C+110°C	2.32	2.09	1.91	1.74
735-R-003	R-003	Very Narrow	5°	Peak	18mm	PMMA HT 121	-40°C+110°C	2.32	2.09	1.91	1.74
735-R-003S	R-003s	Very Narrow	7°	Peak	18mm	PMMA HT 121	-40°C+110°C	2.32	2.09	1.91	1.74
735-R-004S	R-004s	Medium	11°	Peak	18mm	PMMA HT	-40°C+110°C	2.32	2.09	1.91	1.74
735-R-005	R-005	Side Emitting	6°	--	18mm	PMMA HT	-40°C+110°C	2.32	2.09	1.91	1.74
Nichia - NS6											
735-N-001	N-001	Wide	28°	Flat	13.7mm	PMMA	-40°C+90°C	2.26	2.03	1.86	1.70
Cree LEDs - XBD-XPE-XPG-MTG											
735-CR-001	CR-001	25°	--	--	19mm	PMMA	-40°C+100°C	7.14	6.43	5.88	5.36
735-R-001SXB	R-001SXB	Wide	--	--	18mm	PMMA UL:HB94	-40°C+90°C	2.64	2.38	2.17	1.98
735-R-003SXB	R-003SXB	Narrow	--	--	18mm	PMMA UL:HB95	-40°C+90°C	2.64	2.38	2.17	1.98
735-R-004SXB	R-004SXB	Medium	--	--	18mm	PMMA UL:HB96	-40°C+90°C	2.64	2.38	2.17	1.98

LEDIL OY LENSES FOR VARIOUS LED SUPPLIERS

6 in 1 Lens

For quantities greater than listed, call for quote.

MOUSER STOCK NO.	Mfr.	Mfr. Part No.	Diameter (mm)	CREE Series (Angle FWHM)			OSRAM OS (Angle FWHM)			Philips Lumileds (Angle FWHM)			Price Each	
				XP-E	XP-G	XB-D	SSL-80	SSL-150	Square PC	LUXEON A	LUXEON Rebel	LUXEON Rebel ES	1	50
928—C11806ANNA406M			40	19	25	22	20	22	-	26	18	27	5.46	3.90
928—C11807ANNA406W			40	36	36	29	26	34	-	34	30	29	4.49	3.71
928—C12449STRADAT61D			119.8 x 25.2	Asym	Asym	-	-	-	-	-	-	Asym	10.52	7.95

7 in 1 Lens

For quantities greater than listed, call for quote.

MOUSER STOCK NO.	Mfr.	Mfr. Part No.	Diameter (mm)	CREE Series (Angle FWHM)			OSRAM OS (Angle FWHM)		Philips Lumileds (Angle FWHM)			Price Each	
				XP-E	XP-G	XB-D	SSL-80	SSL-150	LUXEON A	LUXEON Rebel	LUXEON Rebel ES	1	50
928—C11716ANNA407S			40	12	18	-	11	12	19	13	18	5.83	4.06
928—C11717ANNA407M			40	19	25	22	20	22	26	18	27	4.62	3.86

2x2

For quantities greater than listed, call for quote.

MOUSER STOCK NO.	Mfr.	Mfr. Part No.	Diameter (mm)	CREE Series (Angle FWHM)					OSRAM OS (Angle FWHM)		Philips Lumileds (Angle FWHM)				Price Each	
				XP-E	XP-G	XB-D	XM-L	XT-E	SSL-80	Square PC	LUXEON A	LUXEON T	LUXEON Rebel	LUXEON Rebel ES	1	50
928—C12360STRADA22DN			50x50	-	Asym	-	Asym	Asym	-	Asym	-	Asym	-	Asym	4.91	3.52
928—C12361HB2X2W			50x50	50	52	48	57	50	43	54	52	55	52	51	4.91	3.23
928—C12362STRADA22DW			50x50	50	52	48	57	50	43	54	52	55	52	51	4.91	3.53
928—C13232HB2X2WW			50x50	-	69	-	-	65	54	63	-	67	-	-	3.66	2.60
928—C13233HB2X2M			50x50	-	31	-	-	25	-	30	-	28	-	-	4.91	3.52
928—C13604STRADA2X2F			50x50	-	-	-	Asymmetric	-	-	-	-	Asymmetric	-	-	5.56	3.57
928—C13699STRADA2X2D			50x50	-	-	-	Asymmetric	Asymmetric	-	-	-	Asymmetric	-	-	4.91	3.15

Hi Power LEDs



This page of product is RoHS compliant.

LUMEX SUNBRITE AGRICULTURAL LED LIGHT BARS

MOUSER STOCK NO.	Lumex Part No.	Fig.	Emitting Color	# of LEDs	Watts	Length	Voltage (VDC)	Viewing Angle	Price Each			
									1	10	50	100
696-SSP-LB24SR24K10	SSP-LB24SR24K10	-	Red	27	10	24"	24	120	118.36	112.43	107.26	105.67
696-SSP-LB24USB24K10	SSP-LB24USB24K10	-	Blue	24	10	24"	24	120	111.38	105.81	100.95	99.45

For quantities greater than listed, call for quote.



LUMEX SUNBRITE GENERAL ILLUMINATION LED LIGHT BARS

* 6", 12", and 24" LED Lightbars available

MOUSER STOCK NO.	Lumex Part No.	Fig.	Emitting Color	# of LEDs	CCT(k)	Watts	Lumens	Length	Voltage (VDC)	Viewing Angle	Price Each			
											1	10	25	100
696-SSP-LB06MW024K03	SSP-LB06MW024K03	A	Warm White	6	2600-3000	2.5	150	6"	24	120	23.00	21.28	20.37	17.83
696-SSP-LB12MW024K03	SSP-LB12MW024K03	A	Warm White	6	2600-3000	2.5	150	6"	24	120	54.19	50.15	48.00	42.00
696-SSP-LB12MW024K03	SSP-LB12MW024K03	A	Warm White	12	2600-3000	3.3	190	12"	24	120	34.66	32.07	30.70	26.86
696-SSP-LB12MW024K05	SSP-LB12MW024K05	A	Warm White	12	2600-3000	5	300	12"	24	120	43.16	39.94	38.23	33.45
696-SSP-LB12NW024K03	SSP-LB12NW024K03	A	Neutral White	12	3700-4300	3	220	12"	24	120	34.66	32.07	30.70	26.86
696-SSP-LB12NW024K05	SSP-LB12NW024K05	A	Neutral White	12	3700-4300	5	300	12"	24	120	43.16	39.94	38.23	33.45
696-SSP-LB12UW024K03	SSP-LB12UW024K03	A	Cool White	12	5000-6300	3.3	220	12"	24	120	34.66	32.07	30.70	26.86
696-SSP-LB12UW024K05	SSP-LB12UW024K05	A	Cool White	12	5000-6300	5	360	12"	24	120	43.16	39.94	38.23	33.45
696-SSP-LB24MW024K10	SSP-LB24MW024K10	A	Warm White	24	2600-3000	10	600	24"	24	120	80.30	74.94	72.69	66.91
696-SSP-LB24UW024K07	SSP-LB24UW024K07	A	Cool White	24	5000-6300	6.6	440	24"	24	120	69.32	64.15	61.40	53.73

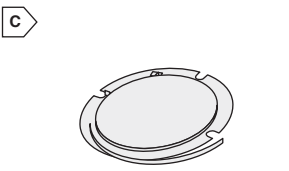
For quantities greater than listed, call for quote.



LUMEX LIGHT BAR ACCESSORIES

MOUSER STOCK NO.	Lumex Part No.	Description	Price Each
696-SSP-PW024	SSP-PW024	LED Power Supplies 24W Adapter 100-240VAC Output 24VDC/1A	16.39
696-SSP-CA12	SSP-CA12	12" Power Line Connection Cable	2.52
696-SSP-CN10	SSP-CN10	10" Connection Cable between Light Bars	2.52
696-SSP-DM0	SSP-DM0	LED Power Supplies Dimmer Switch	18.60
696-SSP-MTCF1	SSP-MTCF1	LED Mounting Clip for Light Bars	.56

For quantities greater than listed, call for quote.



LUMEX TitanBrite™ LEDs

MOUSER STOCK NO.	Lumex Part No.	Fig.	Color	Color Temp/ Wavelength	Luminous Flux (lm)	Power (W)	Voltage (VDC)	Current (mA)	Price Each			
									1	10	50	100
696-LXL99SIC-TR2	SML-LXL99SIC-TR/2	B	Red	635nm	42	2	2.7	700	8.21	7.76	7.12	6.57
696-LXL99SYC-TR2	SML-LXL99SYC-TR/2	B	Yellow	598nm	58	2	2.5	700	8.21	7.76	7.12	6.57
696-LXL99MWC-TR5	SML-LXL99MWC-TR/5	B	Warm White	2700K	220	5	4.5	1500	20.93	19.88	18.35	17.04
696-LXL99UWC-TR5	SML-LXL99UWC-TR/5	B	Cool White	6000K	180	5	4.5	1500	20.93	19.88	18.35	17.04
696-SML-LX5026UWC-WB6	SML-LX5026UWC-WB6	C	Cool White	6500K	560	3	9.4	1000	10.33	9.29	8.77	7.44
696-SML-LX5026MWC-WB6	SML-LX5026MWC-WB6	C	Warm White	3500K	640	3	9	1000	12.32	11.16	10.50	7.44
696-LXL8047SICTR2	SML-LXL8047SICTR/2	D	Red	635nm	50	2	2.7	700	9.37	8.85	8.12	7.49
696-LXL8047SYCTR2	SML-LXL8047SYCTR/2	D	Yellow	598nm	55	2	2.5	700	9.37	8.85	8.12	7.49
696-LXL8047USBCTR3	SML-LXL8047USBCTR/3	D	Blue	454nm	20	3	4.6	1500	8.65	8.18	7.50	6.92
696-LXL8047MWCTR3	SML-LXL8047MWCTR/3	D	Warm White	3000K	140	3	4.6	1000	9.58	8.83	8.50	7.98
696-SML-LXL8047UVC	SML-LXL8047UVC	D	Purple	405nm	18	2	3.6	700	10.94	10.52	10.13	8.20

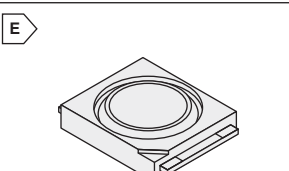
For quantities greater than listed, call for quote.



Tronics OVSP SMD SERIES

MOUSER STOCK NO.	Optek Part No.	Fig.	Color	Color Temp/ Wavelength	Luminous Flux (lm)	Power (W)	Voltage (VDC)	Current (mA)	Price Each			
									1	10	50	100
828-OVSPW1BCR4	OVSPW1BCR4	E	White	---	90	1.2	3.5	0.35	2.27	2.15	2.04	1.82

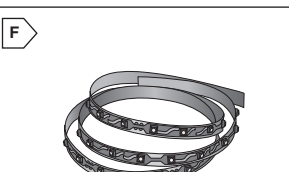
For quantities greater than listed, call for quote.



Tronics LED LINKS

MOUSER STOCK NO.	Optek Part No.	Fig.	Color	Color Temp/ Wavelength	Illumination (lux@0.5m)	Voltage (VDC)	Safety Grade	Price Each			
								1	10	50	100
828-OVQ12S30R7	OVQ12S30R7	F	Red	625nm	32	12	-	9.10	9.08	9.06	8.74
828-OVQ12S30Y7	OVQ12S30Y7	F	Yellow	590nm	32	12	-	9.10	9.08	9.06	8.74
828-OVQ12S30G7	OVQ12S30G7	F	Green	525nm	50	12	-	10.44	10.41	10.38	10.02
828-OVQ12S30B7	OVQ12S30B7	F	Blue	470nm	20	12	-	9.87	9.84	9.82	9.48
828-OVQ12S30W7	OVQ12S30W7	F	White	5500K	68	12	-	14.27	12.75	11.24	10.44
828-OVM12F3R7	OVM12F3R7	G	Red	623nm	20	12	IP67	2.22	2.21	2.20	2.13
828-OVM12F3Y7	OVM12F3Y7	G	Yellow	590nm	18	12	IP67	2.22	2.21	2.20	2.13
828-OVM12F3G7	OVM12F3G7	G	Green	525nm	14	12	IP67	2.44	2.43	2.42	2.34
828-OVM12F3B7	OVM12F3B7	G	Blue	470nm	6	12	IP67	2.44	2.43	2.43	2.34
828-OVM12F3W7	OVM12F3W7	G	White	5000-7000K	16	12	IP67	2.70	2.69	2.69	2.60

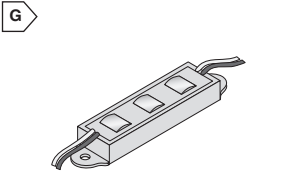
For quantities greater than listed, call for quote.



Tronics LED LIGHT BAR

MOUSER STOCK NO.	Optek Part No.	Color	Color Temp.	Luminous (lm)	Length (in.)	Width (mm)	Current (mA)	Voltage (VDC)	Price Each			
									1	10	50	100
828-OPA779D-1169	OPA779D-1169	Cool White	7000K	180	45	15.4	175	12	90.24	87.66	85.03	82.51

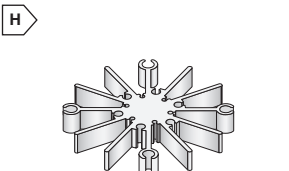
For quantities greater than listed, call for quote.

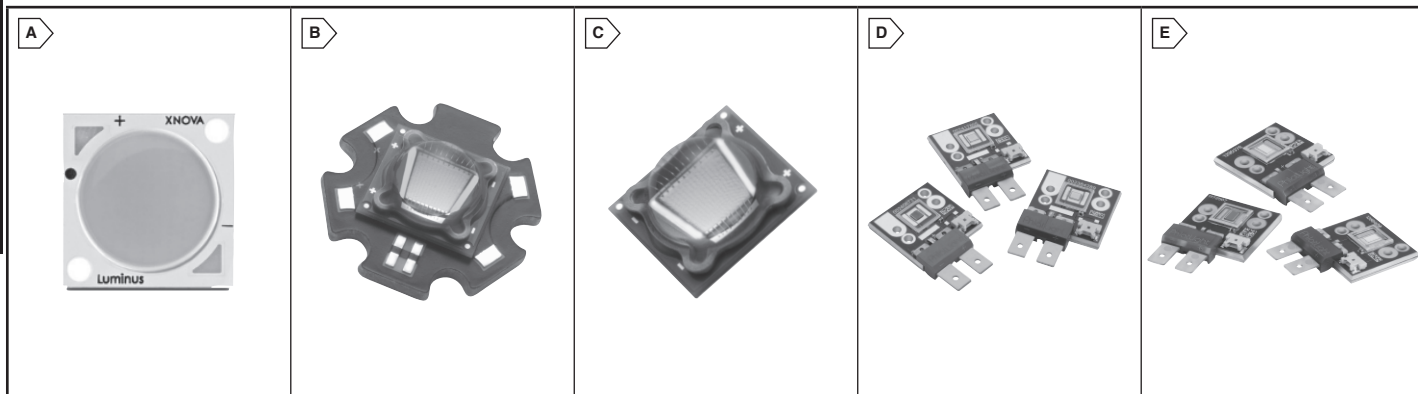


OHMITE S SERIES LED HEATSINKS

MOUSER STOCK NO.	Ohmite Part No.	Fig.	Surface Area (in ² /mm ²)	Thermal Resistance (°C/W)		Height (in/mm)	Price Each		
				Free Conv.	Forced Conv.		1	10	100
588-SV-LED-113E	SV-LED-113E	H	18/11,739	6.67	4.33	.50/12.7	2.36	1.94	1.74
588-SA-LED-113E	SA-LED-113E	H	18/11,739	5.33	4.33	.50/12.7	2.64	2.31	2.07
588-SV-LED-125E	SV-LED-125E	H	36/23,478	5.33	2.88	1.0/12.7	3.16	2.59	2.33
588-SA-LED-125E	SA-LED-125E	H	36/23,478	4.27	2.88	1.0/12.7	3.61	2.96	2.66
588-SV-LED-151E	SV-LED-151E	H	72/46,956	4.00	1.89	2.0/50.8	3.74	3.60	3.16
588-SA-LED-151E	SA-LED-151E	H	72/46,956	3.20	1.89	2.0/50.8	5.62	4.61	4.15
588-SV-LED-176E	SV-LED-176E	H	108/70,434	3.11	1.55	3.0/76.2	5.10	4.90	4.31
588-SA-LED-176E	SA-LED-176E	H	108/70,434	2.49	1.55	3.0/76.2	7.70	6.32	5.68

For quantities greater than listed, call for quote.





XNOVA™ COB LEDs

Luminus XNova™ Chip-on-Board (COB) LED series offers a complete lighting class solution designed for high performance illumination applications. The selection covers a wide lumen range from less than 400lm to over 10,000lm, all major color temperatures and can deliver color rendering greater than 97 at 2700K and 3000K and R9 equal to 95. Delivered with fully qualified LM80 test data and TM21 lifetime results that certify lumen maintenance at 35,000 hours or more, XNova COB LEDs are ready for the toughest challenges. These breakthroughs allow illumination engineers and designers to develop lighting solutions with maximum efficacy, brightness and overall quality.

Features:

- High Lumen output and efficacy typical
- Complete CCT range 2700K, 3000K, 3500K, 4000K and 5000K
- 80 or 90 CRI Min. up to 95 Min. in warm white
- 20step and 3-step MacAdam Ellipse color binning accuracy
- UL Certified
- Excellent optical emission uniformity and color over angle consistency
- Exceptional long term color stability
- Superior thermal conductivity for uniform heat spreading
- Environmentally friendly: RoHS and REACH compliant

Applications:

- Spotlights/Track Lights
- Downlights
- Shop Lighting
- Hospitality Lighting
- Architectural and Specialty
- Street lighting
- Parking Lot and Area lighting
- Tunnel Lighting

For quantities greater than listed, call for quote.

MOUSER STOCK NO.	Luminus Devices Part No.	Fig.	Color	Color Temperature (K)	Luminous Flux (lm)	CRI	Forward Current (mA)	Price Each		
								1	10	100
896-14278036AA00F23	CXM-14-27-80-36-AA00-F2-3	A	Warm White	2700	1920	80	480	10.51	8.97	6.71
896-14308036AA00F23	CXM-14-30-80-36-AA00-F2-3	A	Warm White	3000	2030	80	480	10.51	8.97	6.71
896-14309536AA00F23	CXM-14-30-95-36-AA00-F2-3	A	Warm White	3000	1600	95	480	11.90	10.15	7.59
896-18278036AA00F23	CXM-18-27-80-36-AA00-F2-3	A	Warm White	2700	3200	80	800	17.52	14.95	11.17
896-18279536AA00F23	CXM-18-27-95-36-AA00-F2-3	A	Warm White	2700	2340	95	800	19.79	16.89	12.62
896-18308036AA00F23	CXM-18-30-80-36-AA00-F2-3	A	Warm White	3000	3380	80	800	17.52	14.95	11.17
896-18309536AA00F23	CXM-18-30-95-36-AA00-F2-3	A	Warm White	3000	2660	95	800	19.79	16.89	12.62
896-27308036AA00F23	CXM-27-30-80-36-AA00-F2-3	A	Warm White	3000	7120	80	1800	36.04	31.85	24.30
896-6278036AA00F23	CXM-6-27-80-36-AA00-F2-3	A	Warm White	2700	440	80	120	2.62	2.23	1.67
896-6308036AA00F23	CXM-6-30-80-36-AA00-F2-3	A	Warm White	3000	470	80	120	2.62	2.23	1.67
896-7278036AA00F23	CXM-7-27-80-36-AA00-F2-3	A	Warm White	2700	620	80	160	3.54	3.02	2.26
896-7308036AA00F23	CXM-7-30-80-36-AA00-F2-3	A	Warm White	3000	650	80	160	3.54	3.02	2.26
896-9278036AA00F23	CXM-9-27-80-36-AA00-F2-3	A	Warm White	2700	920	80	240	5.24	4.47	3.34
896-9279536AA00F23	CXM-9-27-95-36-AA00-F2-3	A	Warm White	2700	680	95	240	5.92	5.05	3.77
896-9308036AA00F23	CXM-9-30-80-36-AA00-F2-3	A	Warm White	3000	980	80	240	5.24	4.47	3.34
896-9309536AA00F23	CXM-9-30-95-36-AA00-F2-3	A	Warm White	3000	770	95	240	5.92	5.05	3.77

MONOCHROME LEDs

For quantities greater than listed, call for quote.

MOUSER STOCK NO.	Luminus Devices Part No.	Fig.	Color	Wavelength	Luminous Flux/ Radiant Flux (lm)	FWHM (nm)	Dynamic Resistance (Ω)	Operating Voltage (V)	Operating Current (A)	Price Each		
										1	10	100
896-90RF11HH100	SST-90-R-F11-HH100	B	Red	624	640	19	0.03	2.2	6.3	42.62	37.66	28.74
896-90RF11HH101	SST-90-R-F11-HH101	B	Red	624	640	19	0.03	2.2	6.3	47.09	41.62	31.76
896-90RR11HH100	SSR-90-R-R11-HH100	C	Red	624	640	19	0.03	2.2	6.3	47.56	42.03	32.07
896-CBT90GC11JK200	CBT-90-G-C11-JK200	D	Green	529	1650	36	-	4.3	13.5	68.49	60.67	53.82
896-CBT90BC11KJ300	CBT-90-B-C11-KJ300	D	Blue	464	310	20	-	3.9	13.5	68.45	60.64	53.79
896-CBT90BC11KK300	CBT-90-B-C11-KK300	D	Blue	464	310	20	-	3.9	13.5	71.50	63.35	56.19
896-CBT120RC11HJ100	CBT-120-R-C11-HJ100	E	Red	623	825	20	0.03	2.3	18	80.21	72.50	64.28
896-CBT120GC11JJ200	CBT-120-G-C11-JJ200	E	Green	528	2100	40	0.04	4.3	18	84.04	75.97	67.36
896-CBT120BC11KJ300	CBT-120-B-C11-KJ300	E	Blue	462	400	27	0.02	4.1	18	84.00	75.93	67.32

CABLE ASSEMBLIES

For quantities greater than listed, call for quote.

MOUSER STOCK NO.	Luminus Devices Part No.	Description	Price Each		
			1	10	100
896-400375	400375	Quick Connect	10.81	9.23	6.90
896-960026	960026	Quick Connect	10.81	9.23	6.90

LED MOUNTING SOCKETS

For quantities greater than listed, call for quote.

MOUSER STOCK NO.	Luminus Devices Part No.	Body Shape	Mounting Style	Price Each		
				1	10	100
896-400465	400465	Star	SMD / SMT	3.11	2.65	1.98
896-400463	400463	Star	SMD / SMT	3.11	2.65	1.98

DEVELOPMENT KITS

For quantities greater than listed, call for quote.

MOUSER STOCK NO.	Luminus Devices Part No.	Description	Price Each
896-DK114N1	DK-114N-1	Single channel development kit, with 14A driver board, heatsink, interface board, cable assemblies and user manual	393.75
896-DK136M1	DK-136M-1	Single channel development kit, with 36A driver board, heatsink, cable assemblies and user manual	423.75
896-DK136M3	DK-136M-3	Three channel development kit, with 36A driver board, heatsink, cable assemblies and user manual	1181.25

CBT-90 SERIES (FLAT LENS)

For quantities greater than listed, call for quote.

MOUSER STOCK NO.	Luminus Devices Part No.	Fig.	Color Temp.	Lumens @9.0A (Max.)	Price Each			
					1	10	100	500
896-90W65SC11NA100	CBT-90-W65S-C11-NA100	A	6500K	1590	90.00	81.35	72.13	67.78
896-90W65SC11NA101	CBT-90-W65S-C11-NA101	A	6500K	1590	93.74	84.73	75.13	70.60
896-90W65SC11NA102	CBT-90-W65S-C11-NA102	A	6500K	1590	88.14	82.24	73.42	71.55

CBT-140 SERIES

For quantities greater than listed, call for quote.

MOUSER STOCK NO.	Luminus Devices Part No.	Fig.	Color Temp.	Lumens @21A (Max.)	Price Each			
					1	10	100	500
896-CBT14WDHL16QB220	CBT14WDHL16QB220	B	5665K	2420	116.54	108.74	97.08	94.60
896-CBT14WCSSL16UA120	CBT14WCSSL16UA120	B	8500K	3955	100.50	93.76	83.71	81.58
896-CBT14WCSSL16UA123	CBT14WCSSL16UA123	B	8500K	3955	113.12	107.43	100.99	98.40

SBT-90 SERIES

For quantities greater than listed, call for quote.

MOUSER STOCK NO.	Luminus Devices Part No.	Fig.	Color Temp.	Lumens @6.3A (Max.)	Price Each			
					1	10	100	500
896-90W65SF71NA100	SBT-90-W65S-F71-NA100	C	6500K	1590	61.32	52.21	44.82	40.10
896-90W65SF71NA102	SBT-90-W65S-F71-NA102	C	6500K	1590	69.86	59.48	51.06	45.68
896-90W65SF71NB100	SBT-90-W65S-F71-NB100	C	6500K	1710	71.70	61.05	52.40	46.89
896-90W65SF71NB102	SBT-90-W65S-F71-NB102	C	6500K	1710	73.36	64.99	57.65	52.40
896-90W65SR71NA100	SBR-90-W65S-R71-NA100	D	6500K	1710	65.80	56.03	48.09	43.03
896-90W65SR71NA102	SBR-90-W65S-R71-NA102	D	6500K	1710	66.72	59.10	52.43	47.66
896-90W65SR71NB100	SBR-90-W65S-R71-NB100	D	6500K	1710	68.37	60.57	53.73	48.84
896-90W65SR71NB102	SBR-90-W65S-R71-NB102	D	6500K	1710	77.38	68.55	60.81	55.28

SST-90 SERIES

For quantities greater than listed, call for quote.

MOUSER STOCK NO.	Luminus Devices Part No.	Fig.	Color Temp.	Lumens @3.15A (Max.)	Price Each			
					1	10	100	500
Emitter								
896-90W57SF11N3201	SST-90-W57S-F11-N3201	E	5700K	1000	48.01	42.43	32.37	29.69
896-90W65SF11N3102	SST-90-W65S-F11-N3102	E	6500K	1000	45.40	38.66	33.18	29.69
Emitter on Starboard								
896-90W57SR11N3201	SSR-90-W57S-R11-N3201	F	5700K	1000	48.02	40.89	35.10	31.40
896-90W65SR11N3102	SSR-90-W65S-R11-N3102	F	6500K	1000	49.88	42.47	36.46	32.62

XNOVA 2016 SERIES

For quantities greater than listed, call for quote.

MOUSER STOCK NO.	Luminus Devices Part No.	Fig.	Color Temp.	Lumens @21A (Max.)	Price Each			
					1	10	100	500
896-2016-1100-27-80	MP-2016-1100-27-80	G	2700K	22	.10	.046	.034	.031
896-2016-1100-30-80	MP-2016-1100-30-80	G	3000K	22	.05	.05	.038	.034
896-2016-1100-40-80	MP-2016-1100-40-80	G	4000K	24	.10	.051	.038	.034
896-2016-1100-50-70	MP-2016-1100-50-70	G	5000K	27	.10	.051	.038	.034

XNOVA 3014 SERIES

For quantities greater than listed, call for quote.

MOUSER STOCK NO.	Luminus Devices Part No.	Fig.	Color Temp.	Lumens @21A (Max.)	Price Each			
					1	10	100	500
896-3014-2100-27-80	MP-3014-2100-27-80	H	2700K	54	.13	.115	.086	.078
896-3014-2100-30-80	MP-3014-2100-30-80	H	3000K	54	.13	.115	.086	.078
896-3014-2100-40-80	MP-3014-2100-40-80	H	4000K	58	.12	.104	.078	.07
896-3014-2100-50-70	MP-3014-2100-50-70	H	5000K	64	.13	.115	.086	.078

XNOVA 3020 SERIES

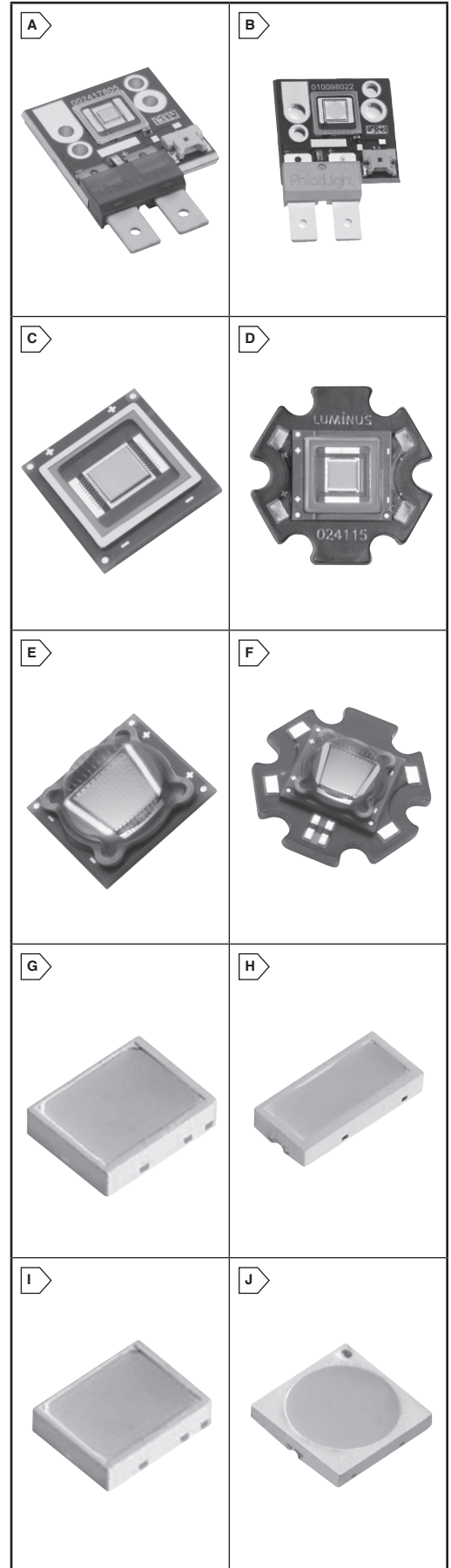
For quantities greater than listed, call for quote.

MOUSER STOCK NO.	Luminus Devices Part No.	Fig.	Color Temp.	Lumens @21A (Max.)	Price Each			
					1	10	100	500
896-3020-2100-27-80	MP-3020-2100-27-80	I	2700K	77	.18	.162	.121	.109
896-3020-2100-30-80	MP-3020-2100-30-80	I	3000K	81	.18	.162	.121	.109
896-3020-2100-40-80	MP-3020-2100-40-80	I	4000K	86	.18	.162	.121	.109
896-3020-2100-50-70	MP-3020-2100-50-70	I	5000K	92	.18	.162	.121	.109

XNOVA 3030 SERIES

For quantities greater than listed, call for quote.

MOUSER STOCK NO.	Luminus Devices Part No.	Fig.	Color Temp.	Lumens @21A (Max.)	Price Each			
					1	10	100	500
896-3030-2200-27-80	MP-3030-2200-27-80	J	2700K	104	.27	.231	.172	.155
896-3030-2200-30-80	MP-3030-2200-30-80	J	3000K	107	.27	.231	.172	.155
896-3030-2200-40-80	MP-3030-2200-40-80	J	4000K	114	.27	.231	.172	.155
896-3030-2200-50-70	MP-3030-2200-50-70	J	5000K	122	.27	.231	.172	.155



MOLEX Helieon™ Light Modules

RoHS Compliant This page of product is RoHS compliant.

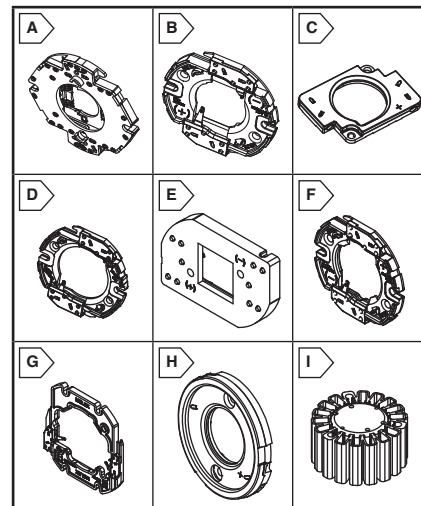
LED ARRAY HOLDERS

- Compression contacts to power array
- Double-ended wire-trap terminal to attach power source
- Releasable wire trap for rework or replacement

- Snap lock feature for optional optic
- High-temperature thermoplastic housing
- Screw-mount attachment method for securing array to heat sink

For quantities greater than listed, call for quote.

MOUSER STOCK NO.	Molex Part No.	Fig.	Description	Price Each			
				1	10	25	50
LED Array Holder for Cree XLamp Arrays							
538-180160-0000	180160-0000	A	For Cree XLamp MP-L without Lens Cover, Parallel Circuits	3.51	3.22	2.97	2.73
538-180160-0001	180160-0001	A	For Cree XLamp MP-L with Lens Cover, Parallel Circuits	4.60	4.38	4.05	3.74
538-180160-0002	180160-0002	A	For Cree XLamp MP-L without Lens Cover, Series Circuits	4.26	4.15	3.75	3.46
538-180160-0003	180160-0003	A	For Cree XLamp MP-L with Lens Cover, Series Circuits	4.62	4.43	4.05	3.74
538-180220-0000	180220-0000	B	For Cree XLamp CXA20 Arrays without Lens Cover	3.84	3.20	3.00	2.81
538-180220-0001	180220-0001	B	For Cree XLamp CXA20 Arrays with Lens Cover	4.33	3.81	3.45	3.20
538-180720-0001	180720-0001	C	For Cree XLamp CXA25 LED Array Holder without Lens Cover	2.26	2.07	1.75	1.67
538-180720-0002	180720-0002	C	For Cree LED Array Holder pre-hold without lens cover	2.26	2.07	1.75	1.67
LED Array Holder for Illumitex Aduro and Surexi AD44							
538-180250-0001	180250-0001	D	LED Array Holder for Illumitex Aduro and Surexi AD44 with Cover	2.63	2.20	2.13	1.82
LED Array Holder for Bridgelux Arrays							
538-180150-0000	180150-0000	E	LED Array Holder for Bridgelux ES, without Lens Cover	3.49	2.88	2.64	2.43
538-180150-0001	180150-0001	E	LED Array Holder for Bridgelux ES, with Lens Cover	4.73	4.33	4.25	3.85
538-180180-0000	180180-0000	F	LED Array Holder for Bridgelux RS, without Lens Cover	4.95	4.75	4.60	3.96
LED Array Holder for Citizen Arrays							
538-180190-0000	180190-0000	G	LED Array Holder for Citizen CL-L340 without Lens Cover	3.66	3.47	3.19	2.94
538-180190-0001	180190-0001	G	LED Array Holder for Citizen CL-L340 with Lens Cover	4.94	4.68	4.32	3.97
LED Array Holders							
538-180280-0001	180280-0001	H	LED Array Holder COB 3-latch bayonet Socket Assembly	2.26	2.07	1.75	1.67
Heat Sink for LED Array Holders							
538-180289-0000	180289-0000	I	Heat Sink, 80.00mm (3.15") Dia. Black Anodized Finish	17.01		16.44	



HELIEON™ SUSTAINABLE LIGHT MODULES

Features:

- Integrated solid state lighting solution for OEM fixture manufacturers, lighting designers and architects
- Multiple product options compatible with a single thermal and electronic driver system design
- Separable socketed plug-and-play solution (socket and module) with a turn-and-click installation process
- Uniform high-quality illumination with beam control optics (24, 32 and 50 degree options)
- High system efficacy enables luminaires with operating efficiencies of >50 lm/W
- Color controlled to a single 3-step MacAdams ellipse
- UL recognized (pending)
- Three year limited warranty
- Recyclable components, Pb and Mercury free, RoHS compliant

Applications:

- Down lights
- Task and accent lighting
- Spot and track lights
- Troffers and interior-area lighting
- Retail and display lighting
- Hospitality lighting
- Architectural lighting
- Decorative lighting
- Museum lighting

Benefits:

- Simplifies the design integration effort and accelerates time to market
- Enables flexibility to change the lighting experience after installation
- Enables separation of source and fixture, emulating traditional lighting with a familiar turn-and-click installation process
- Delivers clean white light without pixilation for precision lighting effects
- Meets or exceeds global regulatory requirements such as Energy Star, Title 24, Part L and others
- Uniform consistent white light between luminaires in the lighting installation
- Streamlines the UL-listing process for the luminaire
- Enables luminaire manufacturers to design with confidence
- Reduces environmental and disposal issues, delivering a sustainable solution

MAXIMUM PRODUCT RATINGS

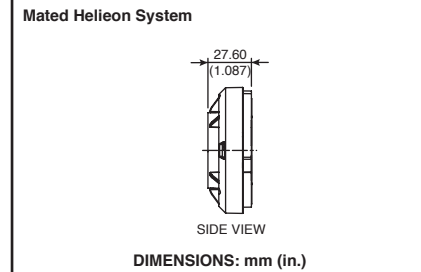
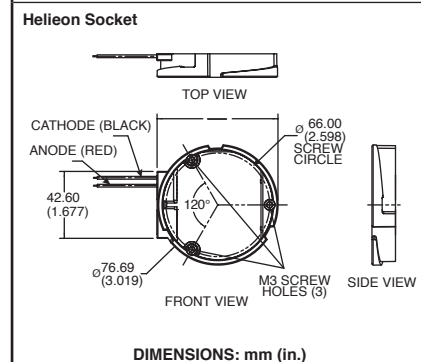
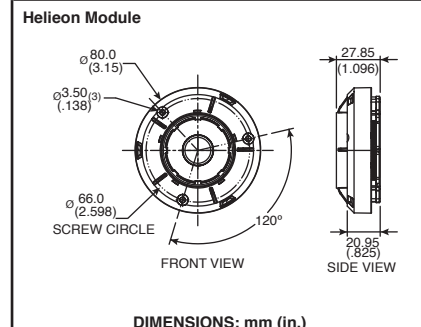
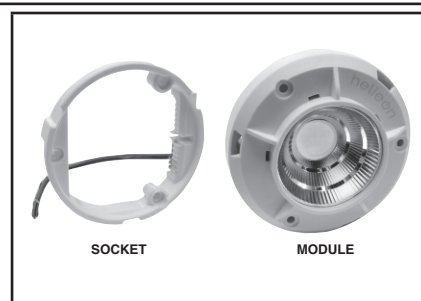
Parameter	Maximum Rating
Maximum DC Forward Current	2000mA
Minimum DC Forward Current ⁽¹⁾	600mA
Maximum Peak Pulsed Current ⁽²⁾	2800mA
Maximum Reverse Voltage ⁽³⁾	-20V
Operating Temperature	-40°C to +95°C
Storage Temperature	-40°C to +105°C

Notes:

1. Driving these high-current devices at low currents can result in variations in performance. For low-current operation, pulse width modulation is recommended.
2. A maximum duty cycle of 10% is recommended when operating the Helieon module at the maximum peak pulsed current specified.
3. LEDs are not designed to be driven with a reverse voltage. TYPICAL PRODUCT PERFORMANCE Helieon™ Sustainable Light Module

MOUSER STOCK NO.	Molex Part No.	CCT	CRI	Beam Angle (FWHM)	Forward Current (mA)	Hot Lumens ⁽¹⁾ (T _c 60°C)	Voltage ⁽²⁾ (V) (T _c 60°C)	Nominal Wattage (T _c 60°C) (W)	Nominal Efficacy (T _c 60°C) (lm/W)	Price Each			
										1	5	10	
800 Lumen Series Modules													
538-180081-2220	180081-2220	3000K	82	24°	700	490	11.4	7.9	62	18.80	18.40	18.00	
					1050	710	11.9	12.4	57				
					1400	860	12.3	17.2	50				
538-180081-2230	180081-2230	3000K	82	32°	700	490	11.4	7.9	62	18.80	18.40	18.00	
					1050	710	11.9	12.4	57				
					1400	860	12.3	17.2	50				
538-180081-2250	180081-2250	3000K	82	50°	700	490	11.4	7.9	62	18.80	18.40	18.00	
					1050	710	11.9	12.4	57				
					1400	860	12.3	17.2	50				
538-180081-4220	180081-4220	4100K	80	24°	700	550	11.4	7.9	70	18.80	18.40	18.00	
					1050	800	11.9	12.4	64				
					1400	1020	12.3	17.2	59				
538-180081-4230	180081-4230	4100K	80	32°	700	550	11.4	7.9	70	17.22	15.99	13.94	
					1050	800	11.9	12.4	64				
					1400	1020	12.3	17.2	59				
538-180081-4250	180081-4250	4100K	80	50°	700	550	11.4	7.9	70	18.80	18.40	18.00	
					1050	800	11.9	12.4	64				
					1400	1020	12.3	17.2	59				
1200 Lumen Series Modules													
538-180081-2320	180081-2320	3000K	82	24°	700	730	17.2	12.0	61	20.45	18.99	16.56	
					1050	1040	17.9	18.8	56				
					1400	1330	18.5	25.8	51				
538-180081-2330	180081-2330	3000K	82	32°	700	730	17.2	12.0	61	22.33	21.85	21.38	
					1050	1040	17.9	18.8	56				
					1400	1330	18.5	25.8	51				
538-180081-2350	180081-2350	3000K	82	50°	700	730	17.2	12.0	61	20.45	18.99	16.56	
					1050	1040	17.9	18.8	56				
					1400	1330	18.5	25.8	51				
538-180081-4320	180081-4320	4100K	80	24°	700	840	17.2	12.0	70	20.45	18.99	16.56	
					1050	1200	17.9	18.8	64				
					1400	1330	18.5	25.8	59				
538-180081-4330	180081-4330	4100K	80	32°	700	840	17.2	12.0	70	20.45	18.99	16.56	
					1050	1200	17.9	18.8	64				
					1400	1330	18.5	25.8	59				
538-180081-4350	180081-4350	4100K	80	50°	700	840	17.2	12.0	70	20.45	18.99	16.56	
					1050	1200	17.9	18.8	64				
					1400	1530	18.5	25.8	59				
Helieon Socket													
538-180080-0000	180080-0000	Description: 80mm Socket Assembly									5.39	5.27	5.17

1. Lumen range is within ±10% of the nominal value. 2. Voltage range is within ±10% of the nominal value.
© Copyright 2015 Mouser Electronics



OSRAM High Power LEDs



This page of product is RoHS compliant.

OSRAM

Opto Semiconductors

OSTAR HEADLAMP PRO

For quantities greater than listed, call for quote.

MOUSER STOCK NO.	Osram Part No.	Color	λ / Color Temperature	Luminous Flux (lm)	Voltage (VDC)	Current (mA)	Price Each			
							1	10	25	100
720-LEUWU1A2015P8PEB	LE UW U1A2 01-5P8P-EBVF68EBZB68-T01	Ultra White 2-chip	6500K	450	6.75	1000	24.26	19.41	18.66	17.59
720-LEUWU1A3018P8QEB	LE UW U1A3 01-8P8Q-EBVF68EBZB68-T01	Ultra White 3-chip	6500K	630	10	1000	26.28	21.03	20.22	19.05
720-LEUWU1A4017Q6REB	LE UW U1A4 01-7Q6R-EBVF68EBZB68-T01	Ultra White 4-chip	6500K	900	13.3	1000	32.36	25.88	24.89	23.46

ULTRA COMPACT OSLO HIGH POWER LEDS

For quantities greater than listed, call for quote.

MOUSER STOCK NO.	Osram Part No.	Size	Color	λ / Color Temperature	Luminous Flux (lm)	Viewing Angle (°)	Voltage (VDC)	Current (mA)	Price Each			
									1	10	25	100
Standard												
720-LACN5MFBGB241Z	LA CN5M-FBGB-24-1-Z	SX	Amber	617nm	14-28	60	2.5	140	1.02	.862	.775	.69
720-LYCN5MFAA361Z	LY CN5M-FAGA-36-1-Z	SX	Yellow	590nm	11.2-22.4	60	2.25	140	1.02	.862	.775	.69
720-LTNC5MGAHB251Z	LT CN5M-GAHB-25-1-Z	SX	True Green	528nm	45	60	3.3	140	1.50	1.25	1.13	1.00
720-LDCN5M1R15351Z	LD CN5M-1R15-35-1-Z	SX	Deep Blue	453nm	18-45	60	3.3	140	1.50	1.25	1.13	1.00
720-LCWCWRDPEKLP5R8T	LCW CRDP-EC-KTLP-5R8T-1-350-R18	SSL	Warm White	3000K	97-121	150	3.1	800	2.06	1.73	1.55	1.38
720-LCWCWRDPEKLP5L7N	LCW CRDP-EC-KULP-5L7N-1-350-R18	SSL	Neutral White	4000K	104.2-130	150	3.1	800	2.20	1.84	1.65	1.47
720-LCWCWRDPEKLP5L7N	LCW CR7P-EC-KULQ-5L7N-1-350-R18	SSL	Neutral White	4000K	104.2-130	80	3.1	800	2.23	1.87	1.68	1.49
720-LCWCWRDPEKLP5L7N	LCW CRDP-PC-LPLR-5L7N-1-350-R18	SSL	Neutral White	4000K	112-140	150	3.1	800	2.45	2.06	1.85	1.64
720-LCWCWRDPEKLP5L7N	LCW CRDP-PC-LQLS-5H71-1-350-R18	SSL	Cool White	5000K	121-150	150	3.1	800	2.18	1.82	1.64	1.46
720-LCWCWRDPEKLP5L7N	LCW CR7P-PC-LQLS-5H71-1-350-R18	SSL	Cool White	5000K	121-150	80	3.1	800	2.20	1.84	1.65	1.47
Black												
720-LDH9GP3T2U351	LD H9GP-3T2U-35-1	SMD-2	Blue	455nm	355 mW	90	3.2	350	3.72	3.12	2.81	2.50
720-LBH9GPFZGY35	LB H9GP-FZGY-35	SMD-2	Blue	470nm	15	90	3.2	350	3.30	2.76	2.48	2.21
720-LTH9GPJZK261350	LT H9GP-JZK-26-1-350-Z	SMD-2	True Green	528nm	61	90	3.3	350	3.72	3.12	2.81	2.50
720-LRH9GPHZKX1	LR H9GP-HZKX-1	SMD-2	Red	625nm	39	90	2.15	350	2.05	1.72	1.55	1.38
720-LCWH9GPJZKY4U9X1	LCW H9GP-JZKY-4U9X-1-Z	SMD-2	Warm White	2700K	61	90	3.2	350	3.08	2.58	2.32	2.07
720-LCWH9GPJZKY4R9T1	LCW H9GP-JZKY-4R9T-1-Z	SMD-2	Warm White	3000K	61	90	3.2	350	3.08	2.58	2.32	2.07
720-LCWH9GPJZK4O9Q1	LCW H9GP-JZK-4O9Q-1-Z	SMD-2	Warm White	3500K	61	90	3.2	350	3.08	2.58	2.32	2.07
720-LUWH9GPKYL4C8E1	LUW H9GP-KYL-4C8E-1-Z	SMD-2	Cool White	3500K	82	90	3.2	350	3.72	3.12	2.81	2.50
720-LCWH9GPJZK4L8N1	LCW H9GP-JZK-4L8N-1-Z	SMD-2	Neutral White	4000K	61	90	3.2	350	3.08	2.58	2.32	2.07
720-LCWH9GPKXL4J8K	LCW H9GP-KXL-4J8K	SMD-2	Neutral White	4500K	71	90	3.2	350	3.21	2.69	2.42	2.15
720-LUWH9GPEKYL4EMKM	LUW H9GP-CE-KYL-EMKM-1-Z	SMD-2	White	6500K	82	90	3.2	350	3.72	3.12	2.81	2.50
720-LUWH9GPKYL4C8E1	LUW H9GP-KYL-4C8E-1-Z	SMD-2	White	6500K	82	90	3.2	350	3.72	3.12	2.81	2.50
720-SFH4715A	SFH 4715A	SMD-3	White	850nm	-	45	1.65	100	6.22	5.22	4.69	4.17
720-SFH4716A	SFH 4716A	SMD-3	White	850nm	-	75	1.65	1000	6.22	5.22	4.69	4.17
Square												
720-LDCQARAPAR241	LD CQAR-APAR-24-1	SMD-2	Deep Blue	445nm	280	120	3.25	700	4.07	3.41	3.06	2.73
720-GWCSRMI1ELTMP5YC8	GW CSRMI1.EC-LTMP-5YC8-1	SMD-2	Warm White	2400K	194	120	2.9	700	3.10	2.59	2.33	2.07
720-GWCSRMI1EMPMR5U8X	GW CSRMI1.EC-MPMR-5U8X-1	SMD-2	Warm White	2700K	224	120	2.9	700	3.28	2.75	2.47	2.20
720-LCWCQARCLTMP5U8X	LCW CQAR-CC-LTMP-5U8X-1	SMD-2	Warm White	2700K	194	120	3.25	700	3.57	2.99	2.69	2.39
720-GWP9LMSNRNT27S5	GW P9LMS1.EM-NRNT-27S5	SMD-4	Warm White	2700K	330-419	120	20	200	2.13	1.79	1.61	1.43
720-GWP9LRSPPRP27S5	GW P9LRS1.EM-PPRP-27S5	SMD-4	Warm White	2700K	450-563	120	26.6	200	3.06	2.56	2.30	2.05
720-LCWCQARCLMUMQ5R8T	LCW CQAR-CC-LUMQ-5R8T-1	SMD-2	Warm White	3000K	210	120	3.25	700	3.84	3.22	2.89	2.57
720-GWCSRMI1EMPMR5R8T	GW CSRMI1.EC-MPMR-5R8T-1	SMD-2	Warm White	3000K	224	120	2.9	700	3.28	2.75	2.47	2.20
720-LCWCQAREMQMT5U8X	LCW CQAR-EC-MQMT-5U8X-1	SMD-2	Warm White	3000K	259	120	3.25	700	4.06	3.40	3.06	2.72
720-GWP9LMSNRNU30S5	GW P9LMS1.EM-NRNU-30S5	SMD-4	Warm White	3000K	330-450	120	20	200	2.13	1.79	1.61	1.43
720-GWP9LRSPPPS30S5	GW P9LRS1.EM-PPPS-30S5	SMD-4	Warm White	3000K	450-610	120	26.6	200	2.77	2.32	2.09	1.86
720-GWCSRMI1EMPMR5O8Q	GW CSRMI1.EC-MPMR-5O8Q-1	SMD-2	Warm White	3500K	224	120	2.9	700	3.10	2.59	2.33	2.07
720-LCWCQAREMRMT5O8Q	LCW CQAR-EC-MRMT-5O8Q-1	SMD-2	Warm White	3500K	259	120	3.25	700	3.91	3.28	2.94	2.62
720-GWCSRMI1EMQMS5L7N	GW CSRMI1.EC-MQMS-5L7N-1	SMD-2	Neutral White	4000K	240	120	2.9	700	3.10	2.59	2.33	2.07
720-LCWCQAREMRMT5L7N	LCW CQAR-EC-MRMT-5L7N-1	SMD-2	Neutral White	4000K	259	120	3.25	700	3.71	3.11	2.79	2.48
720-LCWCQARPMUNQ5L7N	LCW CQAR-PC-MUNQ-5L7N-1	SMD-2	Neutral White	4000K	330	120	3.25	700	4.92	4.12	3.71	3.30
720-GWP9LMSNSPP40S5	GW P9LMS1.EM-NSPP-40S5	SMD-4	Neutral White	4000K	359-484	120	20	200	2.70	2.27	2.04	1.81
720-GWP9LRSPPQ540S5	GW P9LRS1.EM-PPQ5-40S5	SMD-4	Neutral White	4000K	484-610	120	26.6	200	3.41	2.86	2.57	2.29
720-LCWCQAREMSMU5J7K	LCW CQAR-EC-MSMU-5J7K-1	SMD-2	Neutral White	4500K	280	120	3.25	700	4.04	3.39	3.04	2.71
720-LCWCQARPMUNQ5J7K	LCW CQAR-PC-MUNQ-5J7K-1	SMD-2	Neutral White	4500K	330	120	3.25	700	4.79	4.01	3.61	3.21
720-GWCSRMI1EMQMS5H71	GW CSRMI1.EC-MQMS-5H71-1	SMD-2	Cool White	5000K	240	120	2.9	700	3.10	2.59	2.33	2.07
720-LUWCQARNPNRJPJR1	LUW CQAR-NPNR-JPJR-1	SMD-2	Cool White	5700K	359	120	3.25	700	3.98	3.33	3.00	2.67
720-LUWCQARMUNQHPHR1	LUW CQAR-MUNQ-HPHR-1	SMD-2	Cool White	6500K	330	120	3.5	700	3.71	3.11	2.79	2.49
720-LUWCQARNPNRHPHR1	LUW CQAR-NPNR-HPHR-1	SMD-2	Cool White	6500K	359	120	3.5	700	3.98	3.33	3.00	2.67
Ultra Compact												
720-LDCQARVOAQ241	LD CQAR-VOAQ-24-1	SMD-2	Royal Blue	450nm	1035 mW	120	3.05	700	3.42	2.87	2.58	2.30
720-LDCQ7P2U3UW51	LD CQ7P-2U3U-W5-1	SMD-2	Blue	455nm	500 mW	80	2.95	350	2.78	2.33	2.09	1.86
720-LDCQDP2U3UW51	LD CQDP-2U3U-W5-1	SMD-2	Blue	455nm	535 mW	150	2.95	350	2.78	2.33	2.09	1.86
720-LDCQDP2T3T1	LH CPDP-2T3T-1	SMD-2	Red	640nm	315 mW	150	2.1	350	2.77	2.32	2.09	1.86

OSTAR SERIES

For quantities greater than listed, call for quote.

MOUSER STOCK NO.	Osram Part No.	Color	λ / Color Temperature	Luminous Flux Max.	Viewing Angle (°)	Forward Voltage (VDC)	Forward Current (mA)	Price Each			
								1	10	25	100
720-LCGH9RMLXLZ10Z	LCG H9RML-XLZ-1-0-350-R18-Z	Green	500-600nm	180lm	120	3.3	350	3.66	3.07	2.76	2.46
720-LECWUWS2W	LE CWUW S2W-LZMX-CHCL+NXNY-UW	Warm White, Cool White		390lm	120	3.45	700	27.00	22.64	20.35	18.11
720-LEUWU1A2015P8PEB	LE UW U1A2 01-5P8P-EBVF68EBZB68-T01	Cool White	6500K	450lm	120	6.75 V	1000	24.26	19.41	18.66	17.59
720-LEUWU1A3018P8QEB	LE UW U1A3 01-8P8Q-EBVF68EBZB68-T01	Cool White	6500K	630lm	120	10 V	1000	26.28	21.03	20.22	19.05
720-LEUWU1A4017Q6REB	LE UW U1A4 01-7Q6R-EBVF68EBZB68-T01	Cool White	6500K	900lm	120	13.3 V	1000	32.36	25.88	24.89	23.46
Total											
720-MATCHBOX-DEMO	MATCHBOX DEMO	1", 4" and 6" Proximity Sensor, Slide Switch, Rotary Sensor, Wave Sensor, Touch Sensor and Ambient Light Sensor						50.00	-	-	-

GOLDEN DRAGON PLUS

For quantities greater than listed, call for quote.

MOUSER STOCK NO.	Osram Part No.	Color	λ / Color Temperature	Luminous Flux (lm)	Power (W)	Voltage (VDC)	Current (mA)	Price Each			
								1	10	25	100
720-LBWS5AMGYHY25Z	LB W5AM-GYHY-25-Z	Blue	470nm	25.5	1	3.2	350	2.57	2.15	1.93	1.72
720-LCWW5AMJZY4U9XZ	LCW W5AM-JZY-4U9X-Z	Warm White	2700K	85	1	3.2	350	2.01	1.68	1.51	1.35
720-LCWW5AMKXY4R9TZ	LCW W5AM-KXY-4R9T-Z	Warm White	3000K	84	1	3.2	350	2.01	1.68	1.51	1.35
720-LUWW5AMKZL4Y6P7RZ	LUW W5AM-KZL-4Y6P7R-Z	Ultra White	6500K	123	1	3.2	350	2.01	1.68	1.51	1.35
720-LUWW5AMLXLY6P7RZ	LUW W5AM-LXLY-6P7R-Z	Ultra White	6500K	131	1	3.2	350	3.17	2.65	2.39	2.12

TOPLED BLACK SERIES

For quantities greater than listed, call for quote.

MOUSER STOCK NO.	Osram Part No.	Size	Illumination Color	λ / Color Temperature	Intensity	Forward Voltage (VDC)	Forward Current (mA)	Viewing Angle (°)	Price Each			
									1	10	25	100
720-LBT64GV1CA59Z	LB T64G-V1CA-59-Z	PLCC-2	Blue	470nm	660mcd	3.2	20	30	.40	.34	.31	.27
720-LBT64GU1BA59Z	LB T66G-U1BA-59-Z	PLCC-2	Blue	470nm	450mcd	3.2	20	55	.40	.34	.31	.27
720-LVT64GBBEA25Z	LV T64G-BBEA-25-Z	PLCC-2	Green	505nm	2.06cd	3.2	20	30	.75	.63	.57	.50
720-LTT66GBBDA29Z	LT T66G-BBDA-29-Z	PLCC-2	Green	528nm	2.24cd	3.2	20	55	.42	.36		

Lumileds is a leading provider of LEDs for illumination solutions. Their LUXEON products deliver high light output, high efficacy and a more environmentally friendly light source, demonstrating its commitment to innovation. Lumileds is a pioneer in the use of LED lighting solutions for everyday purposes including automotive lighting, indoor lighting, outdoor lighting, signage and signaling and general lighting. Lumileds Lighting Company is a fully integrated manufacturer of LED dice, packaged LEDs, and high-brightness LEDs—LUXEON®—designed for integration into general lighting products.

LUXEON 3014

MOUSER STOCK NO.	Lumileds Part No.	Fig.	Color	Color Temp.	Luminous Flux (lm)	Voltage (VDC)	Current (mA)	Price Each			
								1	10	50	100
								For quantities greater than listed, call for quote.			
997-L130-278000140001	L130-2780001400001	A	Warm White	2700K	10	3	30	.21	.165	.131	.119
997-L130-308000140001	L130-3080001400001	A	Warm White	3000K	11	3	30	.21	.165	.131	.119
997-L130-358000140001	L130-3580001400001	A	Warm White	3500K	11	3	30	.21	.165	.131	.119
997-L130-408000140001	L130-4080001400001	A	Neutral White	4000K	12	3	30	.21	.165	.131	.119
997-L130-508000140001	L130-5080001400001	A	Cool White	5000K	12	3	30	.21	.165	.131	.119
997-L130-578000140001	L130-5780001400001	A	Cool White	5700K	13	3	30	.21	.165	.131	.119
997-L130-658000140001	L130-6580001400001	A	Cool White	6500K	13	3	30	.21	.165	.131	.119

LUXEON 3020

MOUSER STOCK NO.	Lumileds Part No.	Fig.	Color	Color Temp.	Luminous Flux (lm)	Voltage (VDC)	Current (mA)	Price Each			
								1	10	50	100
								For quantities greater than listed, call for quote.			
997-L130-27802011001	L130-2780002011001	B	Warm White	2700K	21	3	120	.40	.306	.242	.221
997-L130-30802011001	L130-3080002011001	B	Warm White	3000K	21	3	120	.40	.306	.242	.221
997-L130-40802011001	L130-4080002011001	B	Neutral White	4000K	23	3	120	.40	.306	.242	.221
997-L130-50802011001	L130-5080002011001	B	Cool White	5000K	23	3	120	.40	.306	.242	.221
997-L130-65802011001	L130-6580002011001	B	Cool White	6500K	24	3	120	.40	.306	.242	.221

LUXEON 3030 2D

MOUSER STOCK NO.	Lumileds Part No.	Fig.	Color	Color Temp.	Luminous Flux (lm)	Voltage (VDC)	Current (mA)	Price Each			
								1	10	50	100
								For quantities greater than listed, call for quote.			
997-L130-27803000W21	L130-2780003000W21	C	Warm White	2700K	21	3	120	.55	.427	.337	.307
997-L130-30803000W21	L130-3080003000W21	C	Warm White	3000K	21	3	120	.55	.427	.337	.307
997-L130-35803000W21	L130-3580003000W21	C	Warm White	3500K	21	3	120	.55	.427	.337	.307
997-L130-40803000W21	L130-4080003000W21	C	Neutral White	4000K	23	3	120	.55	.427	.337	.307
997-L130-50803000W21	L130-5080003000W21	C	Cool White	5000K	23	3	120	.55	.427	.337	.307
997-L130-57803000W21	L130-5780003000W21	C	Cool White	5700K	24	3	120	.55	.427	.337	.307
997-L130-65803000W21	L130-6580003000W21	C	Cool White	6500K	24	3	120	.55	.427	.337	.307

LUXEON 3535L

MOUSER STOCK NO.	Lumileds Part No.	Fig.	Color	Color Temp.	Luminous Flux (lm)	Voltage (VDC)	Current (mA)	Price Each			
								1	10	50	100
								For quantities greater than listed, call for quote.			
997-MXA8PW27	MXA8-PW27-0000	D	Warm White	2700K	36	3.05	200	.45	.348	.275	.25
997-MXA9PW27	MXA9-PW27-0000	D	Warm White	2700K	30	3.05	200	.47	.365	.288	.263
997-MXA8PW30	MXA8-PW30-0000	D	Warm White	3000K	37	3.05	200	.45	.348	.275	.25
997-MXA8PW35	MXA8-PW35-0000	D	Neutral White	3500K	37	3.05	200	.45	.348	.275	.25
997-MXA8PW40	MXA8-PW40-0000	D	Neutral White	4000K	39	3.05	200	.45	.348	.275	.25
997-MXA8PW50	MXA8-PW50-0000	D	Cool White	5000K	39	3.05	200	.45	.348	.275	.25
997-MXA8PW57	MXA8-PW57-0000	D	Cool White	5700K	39	3.05	200	.45	.348	.275	.25
997-MXA8PW65	MXA8-PW65-0000	D	Cool White	6500K	39	3.05	200	.45	.348	.275	.25

LUXEON 3535 2D

MOUSER STOCK NO.	Lumileds Part No.	Fig.	Color	Color Temp.	Luminous Flux (lm)	Voltage (VDC)	Current (mA)	Price Each			
								1	10	50	100
								For quantities greater than listed, call for quote.			
997-MXC8PW27	MXC8-PW27-0000	D	Warm White	2700K	65	6.1	100	.54	.417	.329	.30
997-MXC8PW35	MXC8-PW35-0000	D	Warm White	3500K	66	6.1	100	.54	.417	.329	.30
997-MXC8PW40	MXC8-PW40-0000	D	Neutral White	4000K	70	6.1	100	.54	.417	.329	.30
997-MXC8PW50	MXC8-PW50-0000	D	Cool White	5000K	70	6.1	100	.54	.417	.329	.30
997-MXC8PW57	MXC8-PW57-0000	D	Cool White	5700K	70	6.1	100	.54	.417	.329	.30
997-MXC8PW65	MXC8-PW65-0000	D	Cool White	6500K	70	6.1	100	.54	.417	.329	.30

LUXEON 3535 HV

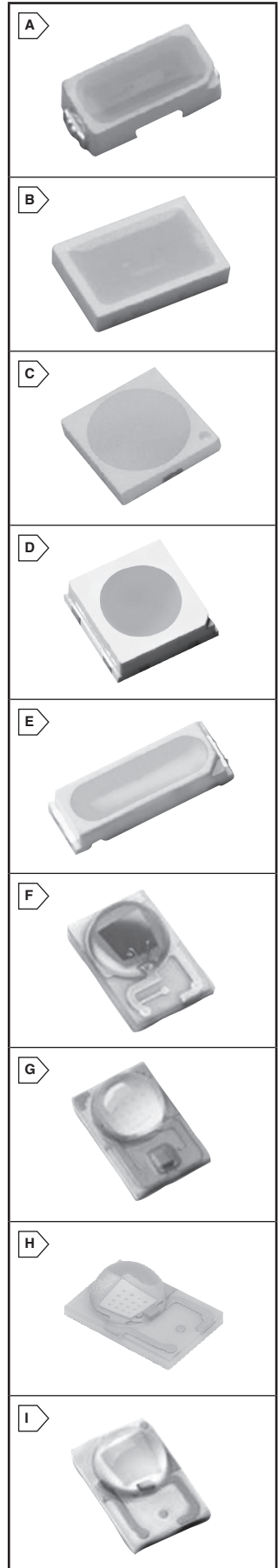
MOUSER STOCK NO.	Lumileds Part No.	Fig.	Color	Color Temp.	Luminous Flux (lm)	Voltage (VDC)	Current (mA)	Price Each			
								1	10	50	100
								For quantities greater than listed, call for quote.			
997-L135-L567L00000001	L135-L567L000000001	D	Lime	-	-	-	15	1.30	1.15	.76	.608
997-L135-A589A00000001	L135-A589A000000001	D	PC Amber	-	-	-	15	1.30	1.15	.76	.608
997-L135-27800BH00001	L135-27800BH0000001	D	Warm White	2700K	41	24	15	.75	.582	.419	.318
997-L135-30800BH00001	L135-30800BH0000001	D	Warm White	3000K	43	24	15	.75	.582	.419	.318
997-L135-40800BH00001	L135-40800BH0000001	D	Neutral White	4000K	48	24	15	.75	.582	.419	.318
997-L135-50800BH00001	L135-50800BH0000001	D	Cool White	5000K	48	24	15	.75	.582	.419	.318
997-L135-27800CH00001	L135-27800CH0000001	D	Warm White	2700K	80	48	15	1.05	.806	.58	.44
997-L135-30800CH00001	L135-30800CH0000001	D	Warm White	3000K	84	48	15	1.05	.806	.58	.44
997-L135-40800CH00001	L135-40800CH0000001	D	Neutral White	4000K	93	48	15	1.05	.806	.58	.44
997-L135-50800CH00001	L135-50800CH0000001	D	Cool White	5000K	93	48	15	1.05	.806	.58	.44

LUXEON 4014

MOUSER STOCK NO.	Lumileds Part No.	Fig.	Color	Color Temp.	Luminous Flux (lm)	Voltage (VDC)	Current (mA)	Price Each			
								1	10	50	100
								For quantities greater than listed, call for quote.			
997-MXZ8-PW27-0000	MXZ8-PW27-0000	E	Warm White	2700K	10.5	3.2	30	.25	.193	.152	.139
997-MXZ8-PW30-0000	MXZ8-PW30-0000	E	Warm White	3000K	11	3.2	30	.25	.193	.152	.139
997-MXZ8-PW35-0000	MXZ8-PW35-0000	E	Warm White	3500K	11	3.2	30	.25	.193	.152	.139
997-MXZ8-PW40-0000	MXZ8-PW40-0000	E	Neutral White	4000K	12	3.2	30	.25	.193	.152	.139
997-MXZ8-PW50-0000	MXZ8-PW50-0000	E	Cool White	5000K	12	3.2	30	.25	.193	.152	.139
997-MXZ9-PW50-0000	MXZ9-PW50-0000	E	Cool White	5000K	20	2.9	90	.27	.213	.154	.117
997-MXZ8-PW57-0000	MXZ8-PW57-0000	E	Cool White	5700K	11.5	3.2	30	.25	.193	.152	.139
997-MXZ8-PW65-0000	MXZ8-PW65-0000	E	Cool White	6500K	11.5	3.2	30	.25	.193	.152	.139

LUXEON REBEL COLORS

MOUSER STOCK NO.	Lumileds Part No.	Fig.	Color	Wavelength/Color Temp.	Luminous Flux (lm)	Voltage (VDC)	Current (mA)	Price Each			
								1	10	50	100
								For quantities greater than listed, call for quote.			
997-LXM2PH010060	LXM2-PH01-0060	F	Red-Orange	617nm	60	2.1	350	3.16	2.64	2.10	1.92
997-LXM2PH010070	LXM2-PH01-0070	F	Red-Orange	617nm	70	2.1	350	3.32	2.77	2.21	2.02
997-LXMLPX020000	LXML-PX02-0000	G	Lime	565-570nm	167	2.75	350	4.98	4.16	3.31	3.02
997-LXMLPM010090	LXML-PM01-0090	H	Green	530nm	90	2.9	350	3.64	3.04	2.42	2.21
997-LXMLPM010100	LXML-PM01-0100	H	Green	530nm	100	2.9	350	4.11	3.43	2.73	2.50
997-LXMLPE010070	LXML-PE01-0070	H	Cyan	505nm	70	2.9	350	4.11	3.43	2.73	2.50
997-LXMLPR010500	LXML-PR01-0500	H	Royal Blue	447.5nm	500mW	2.95	350	2.95	2.46	1.96	1.79
997-LXMLPB010030	LXML-PB01-0030	G	Blue	470nm	30	2.95	350	3.64	3.04	2.42	2.21
997-LXMLPB010040	LXML-PB01-0040	G	Blue	470nm	40	2.95	350	4.11	3.43	2.73	2.50
997-LXMLPB02	LXML-PB02	G	Blue	470nm	470	2.95	700	4.43	3.70	2.94	2.69
997-LXM2PL0100000	LXM2-PL01-00000	I	Amber	591nm	70	3.05	350	4.11	3.43	2.73	2.50
997-LXM2PD010040	LXM2-PD01-0040	F	Red	627nm	40	2.9	350	3.01	2.51	2.00	1.82
997-LXM2PD010050	LXM2-PD01-0050	F	Red	627nm	50	2.9	350	3.16	2.64	2.10	1.92
997-LXMLPL010050	LXML-PL01-0050	F	Amber	590nm	50	2.9	350	3.01	2.51	2.00	1.82
997-LXM5-PD01	LXM5-PD01	-	Red	627nm	-	-	350	3.48	2.90	2.11	1.69
997-LXM5-PH01	LXM5-PH01	-	Red-Orange	617nm	-	-	350	3.48	2.90	2.11	1.69
997-LXM5-PL01	LXM5-PL01	-	Amber	590nm	-	-	350	3.48	2.90	2.11	1.69



LUMILEDS High Power LEDs



Lumileds is a leading provider of LEDs for illumination solutions. Their LUXEON products deliver high light output, high efficacy and a more environmentally friendly light source, demonstrating its commitment to innovation. Lumileds is a pioneer in the use of LED lighting solutions for everyday purposes including automotive lighting, indoor lighting, outdoor lighting, signage and signaling and general lighting. Lumileds Lighting Company is a fully integrated manufacturer of LED dice, packaged LEDs, and high-brightness LEDs—LUXEON®—designed for integration into general lighting products.

RoHS Compliant This page of product is RoHS compliant.

LUXEON REBEL

For quantities greater than listed, call for quote.

MOUSER STOCK NO.	Lumileds Part No.	Fig.	Color	Color Temp. (K)	Luminous Flux (lm)	CRI	Voltage (VDC)	Current (mA)	Viewing Angle (°C)	Price Each			
										1	10	50	100
997-LXMLPWN10100	LXML-PWN1-0100	A	Neutral White	4100	100	70	3	350	120	2.71	2.42	1.67	1.57
997-LXMLPWN10120	LXML-PWN1-0120	A	Neutral White	4100	120	70	3	350	120	2.72	2.27	1.80	1.65
997-LXMLPWC10100	LXML-PWC1-0100	A	Cool White	6500	100	70	3	350	120	2.71	2.42	1.67	1.57
997-LXMLPWC10120	LXML-PWC1-0120	A	Cool White	6500	120	70	3	350	120	2.72	2.27	1.80	1.65

LUXEON REBEL ES

For quantities greater than listed, call for quote.

MOUSER STOCK NO.	Lumileds Part No.	Fig.	Color	Color Temp. (K)	Luminous Flux (lm)	CRI	Voltage (VDC)	Current (mA)	Viewing Angle (°C)	Price Each			
										1	10	50	100
997-LXW9PW27	LXW9-PW27	B	Warm White	2700	120	90	2.9	700	120	3.19	2.66	2.12	1.94
997-LXW9PW30	LXW9-PW30	B	Warm White	3000	120	90	2.9	700	120	3.19	2.66	2.12	1.94
997-LXW8PW35	LXW8-PW35	B	Neutral White	3500	160	80	2.9	700	120	2.95	2.46	1.96	1.79
997-LXW8PW40	LXW8-PW40	B	Neutral White	4000	170	80	2.9	700	120	2.95	2.46	1.96	1.79
997-LXH7PW40	LXH7-PW40	B	Neutral White	4000	180	70	3	700	120	2.95	2.46	1.96	1.79
997-LXMLPWN2	LXML-PWN2	B	Neutral White	4100	200	65	3	700	120	3.01	2.69	1.86	1.74
997-LXW8PW50	LXW8-PW50	B	Cool White	5000	180	80	2.9	700	120	2.95	2.46	1.96	1.79
997-LXMLPWC2	LXML-PWC2	B	Cool White	5650	200	70	3	700	120	3.01	2.69	1.86	1.74

LUXEON REBEL PLUS

For quantities greater than listed, call for quote.

MOUSER STOCK NO.	Lumileds Part No.	Fig.	Color	Color Temp. (K)	Luminous Flux (lm)	CRI	Voltage (VDC)	Current (mA)	Viewing Angle (°C)	Price Each			
										1	10	50	100
997-LX18P1273	LX18-P127-3	C	Warm White	2700	80	80	2.76	350	120	2.92	2.61	1.81	1.69
997-LX18P1303	LX18-P130-3	C	Warm White	3000	85	80	2.76	350	120	2.92	2.61	1.81	1.69
997-LX18P1403	LX18-P140-3	C	Neutral White	4000	90	80	2.76	350	120	2.92	2.61	1.81	1.69
997-LX18P1503	LX18-P150-3	C	Cool White	5000	95	80	2.76	350	120	2.92	2.61	1.81	1.69

LUXEON A

For quantities greater than listed, call for quote.

MOUSER STOCK NO.	Lumileds Part No.	Fig.	Color	Color Temp. (K)	Luminous Flux (lm)	CRI	Voltage (VDC)	Current (mA)	Viewing Angle (°C)	Price Each			
										1	10	50	100
997-LXH8PW27	LXH8-PW27	D	Warm White	2700	140	80	2.81	700	120	3.48	2.90	2.31	2.11
997-LXH9PW30	LXH9-PW30	D	Warm White	3000	120	90	2.81	700	120	3.48	2.90	2.31	2.11
997-LXH8PW30	LXH8-PW30	D	Warm White	3000	150	80	2.81	700	120	3.48	2.90	2.31	2.11
997-LXH8PW40	LXH8-PW40	D	Neutral White	4000	170	80	2.81	700	120	3.48	2.90	2.31	2.11
997-LXH8PW50	LXH8-PW50	D	Cool White	5000	170	80	2.81	700	120	3.48	2.90	2.31	2.11

LUXEON MZ

For quantities greater than listed, call for quote.

MOUSER STOCK NO.	Lumileds Part No.	Fig.	Color	Color Temp. (K)	Luminous Flux (lm)	CRI	Voltage (VDC)	Current (mA)	Viewing Angle (°C)	Price Each			
										1	10	50	100
997-LMZ8-SW30	LMZ8-SW30	E	Warm White	3000	781	80	11.2	700	140	9.24	8.00	5.77	5.39
997-LMZ7-SW40	LMZ7-SW40	E	Neutral White	4000	918	70	11.2	700	140	8.81	7.63	5.50	5.13
997-LMZ7-SW50	LMZ7-SW50	E	Cool White	5000	928	70	11.2	700	140	8.81	7.63	5.50	5.13
997-LMZ7-SW57	LMZ7-SW57	E	Cool White	5700	937	70	11.2	700	140	8.81	7.63	5.50	5.13

LUXEON CoB

For quantities greater than listed, call for quote.

MOUSER STOCK NO.	Lumileds Part No.	Fig.	Color	Color Temp. (K)	Luminous Flux (lm)	CRI	Voltage (VDC)	Current (mA)	Viewing Angle (°C)	Price Each			
										1	10	50	100
997-LHC1-2780-1202	LHC1-2780-1202	F	Warm White	2700	750	80	35.5	200	100	11.33	9.81	7.08	6.60
997-LHC1-2780-1203	LHCB-2780-1203	F	Warm White	2700	1125	80	80	36	600	10.22	9.79	7.18	6.80
997-LHC1-2780-1204	LHCB-2780-1204	F	Warm White	2700	1225	80	80	36	900	14.53	13.91	10.20	9.66
997-LHC1-2780-1205	LHCB-2780-1205	F	Warm White	2700	1000	80	80	36	1200	17.03	16.30	11.95	11.32
997-LHC1-2780-1208	LHCB-2780-1208	F	Warm White	2700	1300	80	80	36	1800	24.44	21.85	18.40	17.97
997-LHC1-2780-1211	LHC1-2780-1211	F	Warm White	2700	4600	80	35.5	1200	100	31.28	27.96	23.55	23.00
997-LHC1-3080-1202	LHC1-3080-1202	F	Warm White	3000	800	80	35.5	200	100	11.33	9.81	7.08	6.60
997-LHC1-3090-1202	LHC1-3090-1202	F	Warm White	3000	650	80	35.5	200	100	11.33	9.81	7.08	6.60
997-LHC1-3080-1203	LHCB-3080-1203	F	Warm White	3000	1325	80	80	36	600	10.22	9.79	7.18	6.80
997-LHC1-3090-1203	LHCB-3090-1203	F	Warm White	3000	1950	80	90	36	600	10.22	9.79	7.18	6.80
997-LHC1-3080-1204	LHCB-3080-1204	F	Warm White	3000	1700	80	80	36	900	14.53	13.91	10.20	9.66
997-LHC1-3090-1204	LHCB-3090-1204	F	Warm White	3000	1975	80	90	36	900	14.53	13.91	10.20	9.66
997-LHC1-3080-1205	LHCB-3080-1205	F	Warm White	3000	1825	90	80	36	1200	17.03	16.30	11.95	11.32
997-LHC1-3090-1205	LHCB-3090-1205	F	Warm White	3000	2250	90	90	36	1200	17.03	16.30	11.95	11.32
997-LHC1-3080-1208	LHCB-3080-1208	F	Warm White	3000	1475	90	80	36	1800	24.44	21.85	18.40	17.97
997-LHC1-3090-1208	LHCB-3090-1208	F	Warm White	3000	2450	90	90	36	1800	24.44	21.85	18.40	17.97
997-LHC1-3090-1211	LHC1-3090-1211	F	Warm White	3000	4000	90	35.5	1200	100	31.28	27.96	23.55	23.00
997-LHC1-3080-1211	LHC1-3080-1211	F	Warm White	3000	5000	90	35.5	1200	100	31.28	27.96	23.55	23.00
997-LHC1-4080-1202	LHC1-4080-1202	F	Neutral White	4000	850	80	35.5	200	100	11.33	9.81	7.08	6.60
997-LHC1-4080-1203	LHCB-4080-1203	F	Neutral White	4000	2000	80	80	36	600	10.22	9.79	7.18	6.80
997-LHC1-4080-1204	LHCB-4080-1204	F	Neutral White	4000	2600	80	80	36	900	14.53	13.91	10.20	9.66
997-LHC1-4080-1205	LHCB-4080-1205	F	Neutral White	4000	2650	80	80	36	1200	17.03	16.30	11.95	11.32
997-LHC1-4080-1208	LHCB-4080-1208	F	Neutral White	4000	3400	80	80	36	1800	24.44	21.85	18.40	17.97
997-LHC1-4080-1211	LHC1-4080-1211	F	Neutral White	4000	5200	80	35.5	1200	100	31.28	27.96	23.55	23.00
997-LHC1-5080-1202	LHC1-5080-1202	F	Cool White	5000	875	82	35.5	300	115	11.33	9.81	6.60	5.90
997-LHC1-5080-1203	LHCB-5080-1203	F	Cool White	5000	3650	80	80	36	600	10.22	9.79	7.18	6.80
997-LHC1-5080-1204	LHCB-5080-1204	F	Cool White	5000	2950	80	80	36	900	14.53	13.91	10.20	9.66
997-LHC1-5080-1205	LHCB-5080-1205	F	Cool White	5000	3900	80	80	36	1200	17.03	16.30	11.95	11.32
997-LHC1-5080-1208	LHCB-5080-1208	F	Cool White	5000	3950	80	80	36	1800	24.44	21.85	18.40	17.97
997-LHC1-5080-1211	LHC1-5080-1211	F	Cool White	5000	5300	80	35.5	1200	100	31.28	27.96	23.55	23.00

LUXEON CrispWhite CoB

For quantities greater than listed, call for quote.

MOUSER STOCK NO.	Lumileds Part No.	Fig.	Color	Color Temp. (K)	Luminous Flux (lm)	CRI	Voltage (VDC)	Current (mA)	Viewing Angle (°C)	Price Each			
										1	10	50	100
997-LHC1-3091202CRSP	LHC1-3090-1202CRSP	F	Warm White	3000	625	90	35.5	200	115	11.65	11.16	8.50	7.75
997-LHC1-3091203CRSP	LHC1-3090-1203CRSP	F	Warm White	3000	950	90	35.5	300	115	13.42	12.85	9.79	8.92
997-LHC1-3091204CRSP	LHC1-3090-1204CRSP	F	Warm White	3000	1400	90	35.5	450	115	17.45	15.42	12.99	12.68
997-LHC1-3091205CRSP	LHC1-3090-1205CRSP	F	Warm White	3000	1900	90	35.5	600	115	20.46	18.08	15.22	14.87
997-LHC1-3091208CRSP	LHC1-3090-1208CRSP	F	Warm White	3000	2800	90	35.5	900	115	32.46	28.69	24.16	23.56
997-LHC1-3091211CRSP	LHC1-3090-1211CRSP	F	Warm White	3000	3750	90	35.5	1200	115	40.66	36.35	29.90	29.90

LUXEON H

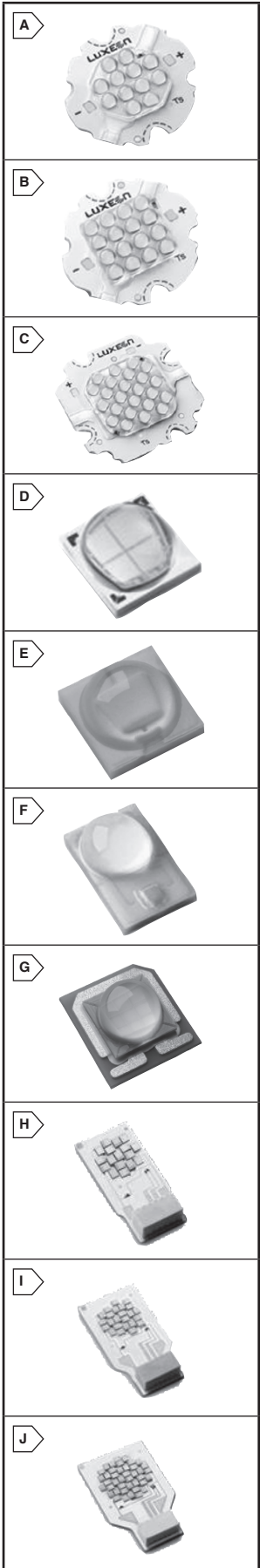
For quantities greater than listed, call for quote.

MOUSER STOCK NO.	Lumileds Part No.	Fig.	Color	Color Temp. (K)	Luminous Flux (lm)	CRI	Voltage (VDC)	Current (mA)	Viewing Angle (°C)	Price Each			
										1	10	50	100
997-LXV8PW270014	LXV8-PW27-0014	G	Warm White	2700	300	80	96	40	120	9.08	7.86	5.67	5.29

LUXEON K

For quantities greater than listed, call for quote.

MOUSER STOCK NO.	Lumileds Part No.	Fig.	Color	Color Temp. (K)	Luminous Flux (lm)	CRI	Voltage (VDC)	Current (mA)	Viewing Angle (°)	Price Each			
										1	10	50	100
997-LXK8PW270012A	LXK8-PW27-0012-A	A	Warm White	2700	1148	80	31.5	350	100	18.03	17.26	12.66	11.99
997-LXK8PW270016A	LXK8-PW27-0016-A	B	Warm White	2700	1530	80	42	350	100	22.63	20.23	17.04	16.64
997-LXK8PW270024A	LXK8-PW27-0024-A	C	Warm White	2700	2296	80	63	350	100	33.95	30.35	25.56	24.96
997-LXK8PW300012A	LXK8-PW30-0012-A	A	Warm White	3000	1175	80	31.5	350	100	18.03	17.26	12.66	11.99
997-LXK8PW300016A	LXK8-PW30-0016-A	B	Warm White	3000	1568	80	42	350	100	22.63	20.23	17.04	16.64
997-LXK8PW300024A	LXK8-PW30-0024-A	C	Warm White	3000	2351	80	63	350	100	33.95	30.35	25.56	24.96
997-LXK8PW400012A	LXK8-PW40-0012-A	A	Neutral White	4000	1329	80	31.5	350	100	18.03	17.26	12.66	11.99
997-LXK8PW400016A	LXK8-PW40-0016-A	B	Neutral White	4000	1772	80	42	350	100	22.63	20.23	17.04	16.64
997-LXK8PW400024A	LXK8-PW40-0024-A	C	Cool White	4000	2660	80	63	350	100	33.95	30.35	25.56	24.96



LUXEON M

For quantities greater than listed, call for quote.

MOUSER STOCK NO.	Lumileds Part No.	Fig.	Color	Color Temp./Wave-length	Luminous Flux (lm)	CRI	Voltage (VDC)	Current (mA)	Viewing Angle (°)	Price Each				
										1	10	50	100	
Luxeon M 6 Volts														
997-LXR9-RW27	LXR9-RW27	D	Warm White	2700K	610	90	5.6	1400	140	10.95	9.48	6.84	6.38	
997-LXR8-RW27	LXR8-RW27	D	Warm White	2700K	760	80	5.6	1400	140	10.95	9.48	6.84	6.38	
997-LXR9-RW30	LXR9-RW30	D	Warm White	3000K	620	90	5.6	1400	140	10.95	9.48	6.84	6.38	
997-LXR8-RW30	LXR8-RW30	D	Warm White	3000K	800	80	5.6	1400	140	10.95	9.48	6.84	6.38	
997-LXR7-RW30	LXR7-RW30	D	Warm White	3000K	905	70	5.6	1400	140	10.42	9.03	6.51	6.08	
997-LXR8-RW35	LXR8-RW35	D	Warm White	3500K	860	80	5.6	1400	140	10.95	9.48	6.84	6.38	
997-LXR8-RW40	LXR8-RW40	D	Neutral White	4000K	905	80	5.6	1400	140	10.95	9.48	6.84	6.38	
997-LXR7-RW40	LXR7-RW40	D	Neutral White	4000K	980	70	5.6	1400	140	10.42	9.03	6.51	6.08	
997-LXR8-RW50	LXR8-RW50	D	Cool White	5000K	905	80	5.6	1400	140	10.95	9.48	6.84	6.38	
997-LXR7-RW50	LXR7-RW50	D	Cool White	5000K	980	70	5.6	1400	140	10.42	9.03	6.51	6.08	
997-LXR7-RW57	LXR7-RW57	D	Cool White	5700K	1000	70	5.6	1400	140	10.42	9.03	6.51	6.08	
997-LXR7-RW65	LXR7-RW65	D	Cool White	6500K	1000	70	5.6	1400	140	10.42	9.03	6.51	6.08	
Luxeon M 12 Volts														
997-LXR9-SW27	LXR9-SW27	D	Warm White	2700K	540	90	11.2	700	120	10.95	9.48	6.84	6.38	
997-LXR8-SW27	LXR8-SW27	D	Warm White	2700K	680	80	11.2	700	120	10.95	9.48	6.84	6.38	
997-LXR9-SW30	LXR9-SW30	D	Warm White	3000K	560	90	11.2	700	120	10.95	9.48	6.84	6.38	
997-LXR8-SW30	LXR8-SW30	D	Warm White	3000K	710	80	11.2	700	120	10.95	9.48	6.84	6.38	
997-LXR7-SW30	LXR7-SW30	D	Warm White	3000K	800	70	11.2	700	120	10.42	9.03	6.51	6.08	
997-LXR8-SW50	LXR8-SW50	D	Warm White	5000K	800	80	11.2	700	120	10.95	9.48	6.84	6.38	
997-LXR8-SW35	LXR8-SW35	D	Neutral White	3500K	745	80	11.2	700	120	10.95	9.48	6.84	6.38	
997-LXR8-SW40	LXR8-SW40	D	Neutral White	4000K	780	80	11.2	700	120	10.95	9.48	6.84	6.38	
997-LXR7-SW40	LXR7-SW40	D	Neutral White	4000K	840	70	11.2	700	120	10.42	9.03	6.51	6.08	
997-LXR7-SW50	LXR7-SW50	D	Cool White	5000K	840	70	11.2	700	120	10.42	9.03	6.51	6.08	
997-LXR7-SW57	LXR7-SW57	D	Cool White	5700K	840	70	11.2	700	120	10.42	9.03	6.51	6.08	
997-LXR7-SW65	LXR7-SW65	D	Cool White	6500K	840	70	11.2	700	120	10.42	9.03	6.51	6.08	
997-LXR0-SR00	LXR0-SR00	D	Royal Blue	460nm	-	-	-	5.6	700	140	10.42	9.03	6.51	6.08

LUXEON Q

For quantities greater than listed, call for quote.

MOUSER STOCK NO.	Lumileds Part No.	Fig.	Color	Color Temp. (K)	Luminous Flux (lm)	CRI	Voltage (VDC)	Current (mA)	Viewing Angle (°)	Price Each			
										1	10	50	100
997-L1Q0-278000000900	L1Q0-27800000000900	E	Warm White	2700	80	80	3.25	350	135	2.79	2.50	1.73	1.61
997-L1Q0-308001000	L1Q0-3080000001000	E	Warm White	3000	90	80	3.25	350	135	2.79	2.50	1.73	1.61
997-L1Q0-358001000	L1Q0-3580000001000	E	Warm White	3500	90	80	3.25	350	135	2.79	2.50	1.73	1.61
997-L1Q0-407001200	L1Q0-4070000001200	E	Neutral White	4000	110	70	3.25	350	135	2.79	2.50	1.73	1.61

LUXEON R

For quantities greater than listed, call for quote.

MOUSER STOCK NO.	Lumileds Part No.	Fig.	Color	Color Temp. (K)	Luminous Flux (lm)	CRI	Voltage (VDC)	Current (mA)	Viewing Angle (°)	Price Each			
										1	10	50	100
997-LXA7PW30	LXA7-PW30	F	Warm White	3000	200	70	2.81	700	120	3.19	2.66	2.12	1.94
997-LXA7PW40	LXA7-PW40	F	Neutral White	4000	200	70	2.81	700	120	3.19	2.66	2.12	1.94
997-LXA7PW50	LXA7-PW50	F	Cool White	5000	200	70	2.81	700	120	3.19	2.66	2.12	1.94
997-LXA7PW57	LXA7-PW57	F	Cool White	5700	200	70	2.81	700	120	3.19	2.66	2.12	1.94
997-LXA7PW65	LXA7-PW65	F	Cool White	6500	200	70	2.81	700	120	3.19	2.66	2.12	1.94

LUXEON S1000

For quantities greater than listed, call for quote.

MOUSER STOCK NO.	Lumileds Part No.	Fig.	Color	Color Temp. (K)	Luminous Flux (lm)	CRI	Voltage (VDC)	Current (mA)	Viewing Angle (°)	Price Each			
										1	10	50	100
997-LXS8PW27	LXS8-PW27	G	Warm White	2700	1150	80	25.6	700	105	17.60	16.85	12.36	11.70
997-LXS9PW30	LXS9-PW30	G	Warm White	3000	1050	90	25.6	700	105	17.34	15.50	13.06	12.75
997-LXS8PW30	LXS8-PW30	G	Warm White	3000	1250	80	25.6	700	105	17.60	16.85	12.36	11.70
997-LXS8PW35	LXS8-PW35	G	Neutral White	3500	1300	80	25.6	700	105	17.60	16.85	12.36	11.70
997-LXS8PW40	LXS8-PW40	G	Neutral White	4000	1360	80	25.6	700	105	17.60	16.85	12.36	11.70

LUXEON S2000

For quantities greater than listed, call for quote.

MOUSER STOCK NO.	Lumileds Part No.	Fig.	Color	Color Temp. (K)	Luminous Flux (lm)	CRI	Voltage (VDC)	Current (mA)	Viewing Angle (°)	Price Each			
										1	10	50	100
997-LXS8-PW30-0017	LXS8-PW30-0017	H	Warm White	3000	2800	80	47	1250	105	28.24	25.25	21.26	20.76
997-LXS9-PW30-0017	LXS9-PW30-0017	H	Warm White	3000	2200	90	47	1250	105	29.06	25.98	21.88	21.36

LUXEON S3000

For quantities greater than listed, call for quote.

MOUSER STOCK NO.	Lumileds Part No.	Fig.	Color	Color Temp. (K)	Luminous Flux (lm)	CRI	Voltage (VDC)	Current (mA)	Viewing Angle (°)	Price Each			
										1	10	50	100
997-LXS8-PW30-0024	LXS8-PW30-0024	I	Warm White	3000	3300	80	67.5	1250	105	38.64	34.55	29.10	28.41
997-LXS9-PW30-0024	LXS9-PW30-0024	I	Warm White	3000	4000	90	67.5	1250	105	39.87	35.64	30.02	29.31

LUXEON S5000

For quantities greater than listed, call for quote.

MOUSER STOCK NO.	Lumileds Part No.	Fig.	Color	Color Temp. (K)	Luminous Flux (lm)	CRI	Voltage (VDC)	Current (mA)	Viewing Angle (°)	Price Each			
										1	2	5	10
997-LXS8-PW30-0041	LXS8-PW30-0041	J	Warm White	3000	5400	80	115	1250	105	52.49	51.56	48.00	46.87
997-LXS9-PW30-0041	LXS9-PW30-0041	J	Warm White	3000	6750	90	115	1250	105	54.19	53.22	49.55	48.39

LUMILEDS High Power LEDs



RoHS Compliant This page of product is RoHS compliant.

LUXEON T

MOUSER STOCK NO.	Lumileds Part No.	Fig.	Color	Color Temp. (K)	Luminous Flux (lm)	CRI	Voltage (VDC)	Current (mA)	Viewing Angle (°Deg)	Price Each			
										1	10	50	100
										For quantities greater than listed, call for quote.			
997-LXH8FW273	LXH8-FW27-3	A	Warm White	2700	182	80	2.8	700	120	2.90	2.42	1.93	1.76
997-LXH8FW275	LXH8-FW27-5	A	Warm White	2700	182	80	2.8	700	120	2.77	2.31	1.84	1.68
997-LXH8FW303	LXH8-FW30-3	A	Warm White	3000	190	80	2.8	700	120	2.90	2.42	1.93	1.76
997-LXH9-FW30-3	LXH9-FW30-3	A	Warm White	3000	160	95	2.8	700	120	3.16	2.64	2.11	1.92
997-LXH8FW305	LXH8-FW30-5	A	Warm White	3000	190	80	2.8	700	120	2.77	2.31	1.84	1.68
997-LXH8-FW35-3	LXH8-FW35-3	A	Warm White	3500	208	80	2.8	700	120	2.90	2.42	1.93	1.76
997-LXH8FW403	LXH8-FW40-3	A	Neutral White	4000	210	80	2.8	700	120	2.90	2.42	1.93	1.76
997-LXH8FW405	LXH8-FW40-5	A	Neutral White	4000	215	80	2.8	700	120	2.77	2.31	1.84	1.68
997-LXH8FW503	LXH8-FW50-3	A	Cool White	5000	215	80	2.8	700	120	2.90	2.42	1.93	1.76
997-LXH8FW505	LXH8-FW50-5	A	Cool White	5000	215	80	2.8	700	120	2.77	2.31	1.84	1.68
997-LXH7-FW57	LXH7-FW57	A	Cool White	5700	255	70	2.8	700	120	2.77	2.31	1.84	1.68
997-LXH7-FW65	LXH7-FW65	A	Cool White	6500	255	70	2.8	700	120	2.77	2.31	1.84	1.68
997-LXH1-FWRB	LXH1-FWRB	A	Royal Blue	-	-	-	3	700	120	2.77	2.31	1.84	1.68

LUXEON TX

MOUSER STOCK NO.	Lumileds Part No.	Fig.	Color	Color Temp. (K)	Luminous Flux (lm)	CRI	Voltage (VDC)	Current (mA)	Viewing Angle (°Deg)	Price Each			
										1	10	50	100
										For quantities greater than listed, call for quote.			
997-L1T2-2780	L1T2-27800000000000	A	Warm-white	2700	216	80	2.8	700	120	3.32	2.77	2.22	2.02
997-L1T2-3080	L1T2-30800000000000	A	Warm-white	3000	227	80	2.8	700	120	3.32	2.77	2.22	2.02
997-L1T2-4070	L1T2-40700000000000	A	Neutral-white	4000	269	70	2.8	700	120	3.32	2.77	2.22	2.02
997-L1T2-5070	L1T2-50700000000000	A	Cool-white	5000	275	70	2.8	700	120	3.32	2.77	2.22	2.02
997-L1T2-5770	L1T2-57700000000000	A	Cool-white	5700	275	70	2.8	700	120	3.32	2.77	2.22	2.02

LUXEON UV

MOUSER STOCK NO.	Lumileds Part No.	Fig.	Color	Wavelength /Color Temp.	Luminous Flux (min)	Voltage (VDC)	Current (mA)	Viewing Angle (°Deg)	Price Each			
									1	10	50	100
									For quantities greater than listed, call for quote.			
997-LHUV-0380-0200	LHUV-0380-0200	B	Ultraviolet (UV)	380nm	200mW	3.5	500	125	24.24	23.26	16.96	15.51
997-LHUV-0385-0250	LHUV-0385-0250	B	Ultraviolet (UV)	385nm	250mW	3.5	500	125	24.24	23.26	16.96	15.51
997-LHUV-0395-0500	LHUV-0395-0500	B	Ultraviolet (UV)	395nm	500mW	3.5	500	125	34.26	32.88	23.98	21.92
997-LHUV-0400-0500	LHUV-0400-0500	B	Ultraviolet (UV)	400nm	500mW	3.5	500	125	29.93	28.73	20.95	19.16
997-LHUV-0410-0650	LHUV-0410-0650	B	Ultraviolet (UV)	410nm	650mW	3.5	500	125	29.93	28.73	20.95	19.16
997-LHUV-0415-0650	LHUV-0415-0650	B	Ultraviolet (UV)	415nm	650mW	3.5	500	125	29.93	28.73	20.95	19.16
997-LHUV-0420-0650	LHUV-0420-0650	B	Ultraviolet (UV)	420nm	650mW	3.5	500	125	29.93	28.73	20.95	19.16
997-LHUV-0425-0600	LHUV-0425-0600	B	Ultraviolet (UV)	425nm	600mW	3.5	500	125	27.87	26.76	19.51	17.84

LUXEON XF

MOUSER STOCK NO.	Lumileds Part No.	Fig.	Color	Wavelength /Color Temp. (K)	Luminous Flux (min)	Voltage (VDC)	Current (mA)	Viewing Angle (°Deg)	Price Each			
									1	10	50	100
									For quantities greater than listed, call for quote.			
997-35-3080AHLGBBACO	L235-3080AHLGBBACO	C	Warm White	3000	1512	18	600	-	14.48	13.93	9.19	8.36
997-35-3080AHLGBBACO	L235-3080AHLGBBACO	C	Warm White	3000	1512	18	600	-	13.46	12.94	9.06	7.76
997-35-3080AHLGBAAACO	L235-3080AHLGBAAACO	C	Warm White	3000	1512	18	600	-	14.11	13.57	8.95	8.14
997-35-3080AHLGBAAACO	L235-3080AHLGBAAACO	C	Warm White	3000	1512	18	600	-	13.01	12.52	8.76	8.26
997-35-3080AML5FWAD0	L235-3080AML5FWAD0	C	Warm White	3000	2352	21	800	-	19.36	18.62	12.29	11.17
997-35-3080AULM5JAO	L235-3080AULM5JAO	C	Warm White	3000	4536	36	900	-	38.28	29.09	24.49	22.96
997-35-3580AHLGBBACO	L235-3580AHLGBBACO	C	Warm White	3500	1548	18	600	-	14.48	13.93	9.19	8.36
997-35-3580AHLGBBACO	L235-3580AHLGBBACO	C	Warm White	3500	1548	18	600	-	13.46	12.94	9.06	7.76
997-35-3580AHLGBAAACO	L235-3580AHLGBAAACO	C	Warm White	3500	1548	18	600	-	14.11	13.57	8.95	8.14
997-35-3580AHLGBAAACO	L235-3580AHLGBAAACO	C	Warm White	3500	1548	18	600	-	13.01	12.52	8.76	8.26
997-35-3580AML5FWAD0	L235-3580AML5FWAD0	C	Warm White	3500	2408	21	800	-	19.36	18.62	12.29	11.17
997-35-3580AULM5JAO	L235-3580AULM5JAO	C	Warm White	3500	4644	36	900	-	38.28	29.09	24.49	22.96
997-35-4080AHLGBBACO	L235-4080AHLGBBACO	C	Neutral White	4000	1584	18	600	-	14.48	13.93	9.19	8.36
997-35-4080AHLGBBACO	L235-4080AHLGBBACO	C	Neutral White	4000	1584	18	600	-	13.46	12.94	9.06	7.76
997-35-4080AHLGBAAACO	L235-4080AHLGBAAACO	C	Neutral White	4000	1584	18	600	-	14.11	13.57	8.95	8.14
997-35-4080AHLGBAAACO	L235-4080AHLGBAAACO	C	Neutral White	4000	1584	18	600	-	13.01	12.52	8.76	8.26
997-35-4080AML5FWAD0	L235-4080AML5FWAD0	C	Neutral White	4000	2464	21	800	-	19.36	18.62	12.29	11.17
997-35-4080AULM5JAO	L235-4080AULM5JAO	C	Neutral White	4000	4752	36	900	-	38.28	29.09	24.49	22.96

LUXEON XR

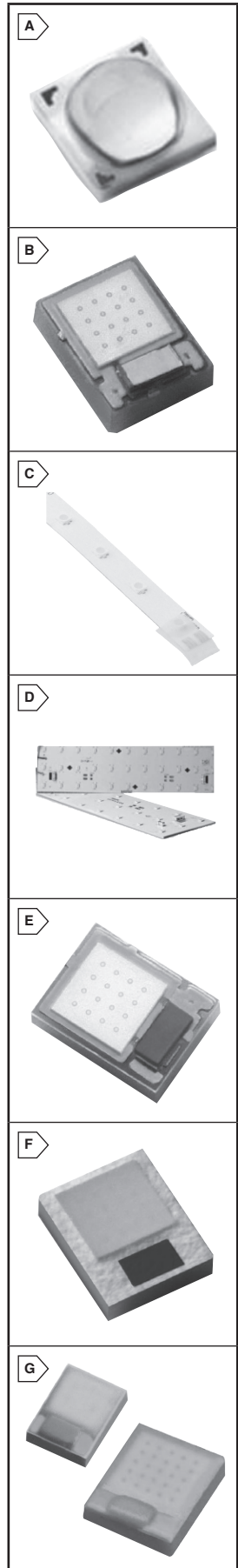
MOUSER STOCK NO.	Lumileds Part No.	Fig.	Color	Color Temp. (K)	Luminous Flux (lm)	CRI	Voltage (VDC)	Current (mA)	Viewing Angle (°Deg)	Price Each			
										1	10	50	100
										For quantities greater than listed, call for quote.			
997-02-4080033C3000	L202-4080033C3000	D	Neutral White	4000	1419	33	330	-	-	21.31	20.40	15.87	13.60

LUXEON Z

MOUSER STOCK NO.	Lumileds Part No.	Fig.	Color	Wavelength /Color Temp.	Luminous Flux (lm)	CRI	Voltage (VDC)	Current (mA)	Viewing Angle (°Deg)	Lens Color	Price Each			
											1	10	50	100
											For quantities greater than listed, call for quote.			
997-LXZ1PA01	LXZ1-PA01	E	Red	665nm	360	-	2.25	500	145	Water Clear	2.72	2.44	1.69	1.58
997-LXZ1PD01	LXZ1-PD01	E	Red	627nm	570	-	2.2	500	145	Water Clear	2.72	2.44	1.69	1.58
997-LXZ1PH01	LXZ1-PH01	E	Orange	617nm	74	-	2.15	500	145	Water Clear	2.72	2.44	1.69	1.58
997-LXZ1PL01	LXZ1-PL01	E	Amber	590nm	66	-	2.15	500	145	Water Clear	2.72	2.44	1.69	1.58
997-LXZ1PM01	LXZ1-PM01	E	Green	530nm	106	-	3.05	500	125	Water Clear	2.72	2.44	1.69	1.58
997-LXZ1PE01	LXZ1-PE01	E	Green	505nm	73	-	2.95	500	125	Water Clear	2.72	2.44	1.69	1.58
997-LXZ1PX01	LXZ1-PX01	F	Lime	565-570nm	164	-	2.8	500	125	Water Clear	4.15	3.46	2.77	2.52
997-LXZ1PB01	LXZ1-PB01	E	Blue	470nm	50	-	3.15	500	125	Water Clear	2.72	2.44	1.69	1.58
997-LXZ1PR01	LXZ1-PR01	E	Royal Blue	447.5nm	620	-	2.9	500	125	Water Clear	2.57	2.30	1.59	1.49
997-LXZ127803	LXZ1-2780-3	G	Warm White	2700K	105	80	2.85	500	160	-	2.08	1.86	1.29	1.20
997-LXZ130803	LXZ1-3080-3	G	Warm White	3000K	110	80	2.85	500	160	-	2.08	1.86	1.29	1.20
997-LXZ135803	LXZ1-3580-3	G	Warm White	3500K	-	80	2.85	500	160	-	2.08	1.86	1.29	1.20
997-LXZ140803	LXZ1-4080-3	G	Neutral White	4000K	126	80	2.85	500	160	-	2.08	1.86	1.29	1.20
997-LXZ14070	LXZ1-4070	G	Neutral White	4000K	144	70	2.9	500	120	-	1.99	1.78	1.23	1.15
997-LXZ15070	LXZ1-5070	G	Cool White	5000K	142	70	2.85	500	160	-	1.99	1.78	1.23	1.15
997-LXZ15770	LXZ1-5770	G	Cool White	5700K	142	70	2.85	500	160	-	1.99	1.78	1.23	1.15

LUXEON Z ES

MOUSER STOCK NO.	Lumileds Part No.	Fig.	Color	Color Temp. (K)	Luminous Flux (lm)	CRI	Voltage (VDC)	Current (mA)	Viewing Angle (°Deg)	Price Each			
										1	10	50	100
										For quantities greater than listed, call for quote.			
997-LXZ227803	LXZ2-2780-3	G	Warm White	2700	173	80	2.85	700	160	2.45	2.19	1.51	1.42
997-LXZ227903	LXZ2-2790-3	G	Warm White	2700	135	90	2.85	700	160	2.45	2.19	1.51	1.42
997-LXZ230803	LXZ2-3080-3	G	Warm White	3000	180	80	2.85	700	160	2.45	2.19	1.51	1.42
997-LXZ230905	LXZ2-3090-5	G	Warm White	3000	145	90	2.85	700	160	2.33	2.08	1.44	1.35
997-LXZ235803	LXZ2-3580-3	G	Warm White	3500	190	80	2.85	700	160	2.45	2.19	1.51	1.42
997-LXZ240803	LXZ2-4080-3	G	Neutral White	4000	195	80	2.85	700	160	2.45	2.19	1.51	1.42
997-LXZ25070	LXZ2-5070	G	Cool White	5000	215	70	2.85	700	160	2.33	2.08	1.44	1.35
997-LXZ25770	LXZ2-5770	G	Cool White	5700	215	70	2.85	700	160	2.33	2.08	1.44	1.35



LED Lighting
Lumileds

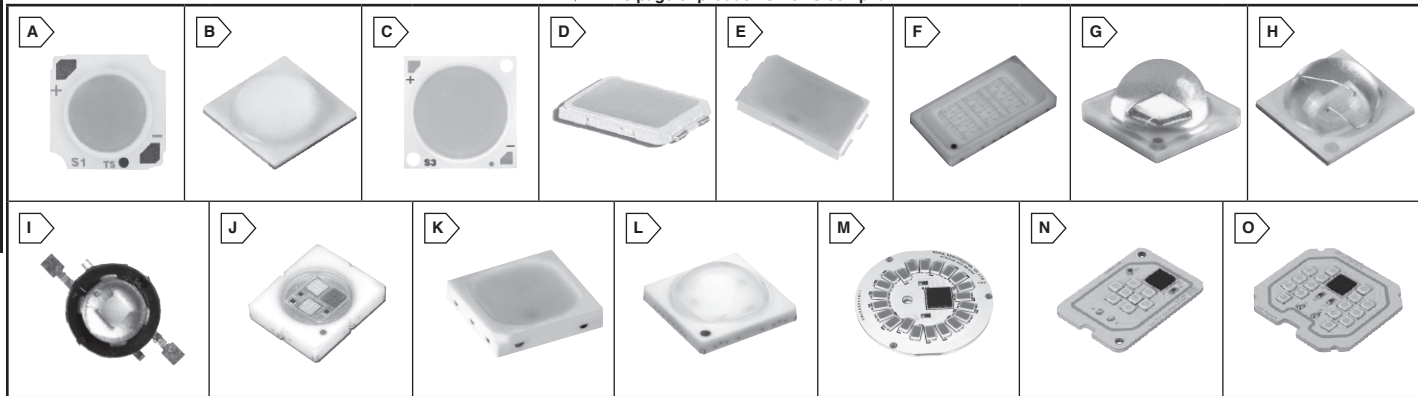
SEOUL SEMICONDUCTOR LEDs



RoHS Compliant This page of product is RoHS compliant.

LED Lighting

Seoul Semiconductor



Z-POWER LEDs

For quantities greater than listed, call for quote.

MOUSER STOCK NO.	Seoul Part No.	Fig.	Color	Wavelength/Color Temp.	Luminous Flux (lm)	Voltage (VDC)	Current (mA)	Price Each			
								1	10	50	100
889-SDW81F1CCDHA	SDW81F1C-C/D-HA	A	Warm White	2700K	710	37	180	5.97	4.97	3.58	3.18
889-SAWWFS72AT2U1HA	SAWWFS72A-T2/U1-HA	B	Warm White	2700K	95	23	40	.62	.47	.40	.34
889-SDW85F1CK1K2HA	SDW85F1C-K1/K2-HA	C	Warm White	2700K	3000	37	700	24.32	20.92	13.03	12.49
889-SDW84F1CJ1J2HA	SDW84F1C-J1/J2-HA	C	Warm White	2700K	3000	37	700	21.62	18.60	11.59	11.11
889-SDW83F1CG2H1HA	SDW83F1C-G2/H1-HA	A	Warm White	2700K	2050	37	500	11.13	10.08	6.72	6.30
889-STW8Q14C-U7V5-HA	STW8Q14C-U7V5-HA	D	Warm White	2700K	35	3	100	.67	.418	.332	.285
889-STW9Q14C-T0U0-HA	STW9Q14C-T0U0-HA	D	Warm White	2700K	30	3	100	.62	.396	.341	.302
889-STW8Q2PASOHA	STW8Q2PA-SO-HA	E	White	2800K	28.9	3.2	100	.60	.552	.50	.483
889-NZ20360-X1	NZ20360-X1	F	Warm White	3000K	200	11	0.4	10.96	9.11	7.72	6.64
889-SDW81F1CCDGA	SDW81F1C-C/D-GA	A	Warm White	3000K	750	37	180	5.97	4.97	3.58	3.18
889-SDW82F1CG1G2GA	SDW82F1C-G1/G2-GA	A	Warm White	3000K	1500	37	350	8.75	7.92	5.28	4.95
889-SDW83F1CG2H1GA	SDW83F1C-G2/H1-GA	A	Warm White	3000K	2150	37	500	11.13	10.08	6.72	6.30
889-SDW85F1CK1K2GA	SDW85F1C-K1/K2-GA	C	Warm White	3000K	3140	37	700	24.32	20.92	13.03	12.49
889-SDW84F1CJ1J2GA	SDW84F1C-J1/J2-GA	C	Warm White	3000K	3140	37	700	21.62	18.60	11.59	11.11
889-STW9Q14C-T0U0-GA	STW9Q14C-T0U0-GA	D	Warm White	3000K	32	3	100	.62	.396	.341	.302
889-SAWWFS72AT2U1FA	SAWWFS72A-T2/U1-FA	B	Warm White	3500K	95	23	40	.62	.47	.40	.34
889-SAWWFS72AT2U1GA	SAWWFS72A-T2/U1-GA	B	Warm White	3500K	95	23	40	.62	.47	.40	.34
889-SZ20360-X1	SZ20360-X1	F	Natural White	4000K	210	11	0.4	5.64	5.31	4.98	4.81
889-SZ20360-X2	SZ20360-X2	F	Natural White	4000K	210	11	0.4	5.64	5.31	4.98	4.81
889-SDW84F1CJ1J2EA	SDW84F1C-J1/J2-EA	C	Neutral White	4000K	3400	37	700	21.62	18.60	11.59	11.11
889-SDW85F1CK1K2EA	SDW85F1C-K1/K2-EA	C	Neutral White	4000K	3400	37	700	24.32	20.92	13.03	12.49
889-STW8Q2PAS5EA	STW8Q2PA-S5-EA	E	White	4200K	30	3.2	100	.60	.552	.50	.483
889-STW8Q2PAS5DA	STW8Q2PA-S5-DA	E	White	4700K	30	3.2	100	.60	.552	.50	.483
889-SDW01F1CDEBA	SDW01F1C-D/E-BA	A	Cool White	5000K	870	37	180	5.97	4.97	3.58	3.18
889-SDW01F1CDECA	SDW01F1C-D/E-CA	A	Cool White	5000K	870	37	180	5.97	4.97	3.58	3.18
889-SDW02F1CG2H1BA	SDW02F1C-G2/H1-BA	A	Cool White	5000K	1780	37	350	8.75	7.92	5.28	4.95
889-SDW02F1CG2H1CA	SDW02F1C-G2/H1-CA	A	Cool White	5000K	1780	37	350	8.75	7.92	5.28	4.95
889-SDW03F1CH1H2BA	SDW03F1C-H1/H2-BA	A	Cool White	5000K	2520	37	500	10.60	9.60	6.40	6.00
889-SDW03F1CH1H2CA	SDW03F1C-H1/H2-CA	A	Cool White	5000K	2520	37	500	10.60	9.60	6.40	6.00
889-SDW04F1CJ2K1BA	SDW04F1C-J2/K1-BA	C	Cool White	5000K	3650	37	700	20.26	19.40	12.93	11.64
889-SDW04F1CJ2K1CA	SDW04F1C-J2/K1-CA	C	Cool White	5000K	3650	37	700	20.26	19.40	12.93	11.64
889-SDW05F1CK2L1BA	SDW05F1C-K2/L1-BA	C	Cool White	5000K	5030	37	1000	22.97	19.76	12.31	11.80
889-SDW05F1CK2L1CA	SDW05F1C-K2/L1-CA	C	Cool White	5000K	5030	37	1000	22.97	19.76	12.31	11.80
889-STW8Q14C-W5X5-CA	STW8Q14C-W5X5-CA	D	Cool White	5000K	45	3	100	.67	.418	.332	.285
889-STW8Q2PAS5CA	STW8Q2PA-S5-CA	E	White	5300K	30	3.2	100	.60	.24	.22	.21
889-STW8Q2PAT0BA	STW8Q2PA-T0-BA	E	White	6000K	31	3.2	100	.26	.552	.50	.483
889-SZW05A0A0U2	SZW05A0A-U2	G	Pure White	6300K	105	3.3	0.7	4.17	3.92	3.68	3.55
889-STW8Q14C-V5W5-AA	STW8Q14C-V5W5-AA	D	Cool White	6500K	42	3	100	.67	.418	.332	.285
889-STW8Q2PAT0AA	STW8Q2PA-T0-AA	E	White	7000K	31	3.2	100	.60	.552	.50	.483
889-STB0FS12AABBA	STB0FS12A-AB-BA	H	Blue	460nm	-	3	150	.48	.362	.308	.262
889-B42180	B42180	I	Blue	465nm	22	3.25	1.0A	7.49	6.24	5.84	4.54
889-SZB05A0A	SZB05A0A	G	Blue	465nm	28	3.3	350mA	2.19	2.06	1.94	1.87
889-G42180	G42180	I	Green	525nm	70	3.25	1.0A	9.00	7.80	7.70	5.25
889-SZA05A0A	SZA05A0A	G	Amber	592nm	42	2.5	350mA	1.74	1.63	1.53	1.48
889-R42180	R42180	I	Red	625nm	48	2.3	0.8A	5.91	4.92	4.59	3.58
889-SZR05A0A	SZR05A0A	G	Red	625nm	55	2.4	350mA	1.74	1.63	1.53	1.48
889-F50360	F50360	J	RGB	625/525/460	35/57/13	2.5/3.8/3.6	0.35A	14.30	13.75	11.41	9.07

TOP VIEW LEDs

For quantities greater than listed, call for quote.

889-STW8C2SA-K24-CA	STW8C2SA-J19K24-CA	K	Cool White	2600K-3200K	74.4-85.3	6.3	200mA	.61	.47	.40	.33
889-STW8C2SA-K21-EA	STW8C2SA-J19K24-EA	K	Neutral White	3200K-7000K	66.7-74.4	6.3	200mA	.61	.47	.40	.33
889-STW8C2SA-K21-GA	STW8C2SA-J19K24-GA	K	Warm White	2600K-3200K	66.7-74.4	6.3	200mA	.61	.47	.40	.33
889-STW8C2SA-J19-HA	STW8C2SA-J19K24-HA	K	Warm White	2600K-3200K	60.5-66.7	6.3	200mA	.61	.47	.40	.33

ACRICH SERIES AC LEDs

For quantities greater than listed, call for quote.

889-AW320001X2CA	AW3200-01-X2-CA	L	Pure White	6300K	260	110VAC	40mA	7.50	6.50	5.45	4.37
889-AN424003SHA	AN4240-03-S-HA	M	Warm White	3000K	50	50VAC	20mA	4.13	3.44	2.98	2.50

ACRICH 2 SERIES AC LEDs

For quantities greater than listed, call for quote.

889-SMJ2V08W2P4CA	SMJE-2V08W2P4-CA	N	Cool White	5000K	670	120	8	6.64	5.82	5.47	5.15
889-SMJ2V08W2P4EA	SMJE-2V08W2P4-EA	N	Neutral White	4000K	670	120	8	6.64	5.82	5.47	5.15
889-SMJ2V08W2P4HA	SMJE-2V08W2P4-HA	N	Warm White	2700K	670	120	8	6.64	5.82	5.47	5.15
889-SMJ2V12W2P4CA	SMJE-2V12W2P4-CA	O	Cool White	5000K	930	120	16	9.50	8.32	7.84	7.36
889-SMJ2V12W2P4EA	SMJE-2V12W2P4-EA	O	Neutral White	4000K	930	120	16	9.50	8.32	7.84	7.36
889-SMJ2V12W2P4HA	SMJE-2V12W2P4-HA	O	Warm White	2700K	930	120	16	9.50	8.32	7.84	7.36

AVAGO Surface Mount and Thru-Hole LEDs



RoHS Compliant This page of product is RoHS compliant.

SURFACE MOUNT LEDS

For quantities greater than listed, call for quote.

MOUSER STOCK NO.	Avago Part No.	Package	Color		Forward Voltage	Illum. Intensity (typ.)(mcd)	Wavelength (nm) / Color Temperature	Price Each			
			Source	Lens				1	10	100	1000
630-HSMH-C190	HSMH-C190	0603	Red	Diffused	1.8	17	639	.32	.224	.128	.088
630-HSMS-C190	HSMS-C190	0603	Red	Diffused	2.1	10	626	.32	.224	.128	.088
630-HSMC-C190	HSMC-C190	0603	Red	Diffused	1.9	90	626	.44	.359	.184	.144
630-HSMA-C190	HSMA-C190	0603	Amber	Diffused	1.9	90	592	.44	.359	.184	.144
630-HSMY-C190	HSMY-C190	0603	Yellow	Diffused	2.1	8	586	.32	.224	.128	.088
630-HSMG-C190	HSMG-C190	0603	Green	Diffused	2.2	5	572	.32	.224	.128	.088
630-HSMQ-C191	HSMQ-C191	0603	Green	Diffused	3.4	145	527	.93	.625	.50	.35
630-HSMR-C190	HSMR-C190	0603	Blue	Diffused	3.4	55	473	.80	.522	.342	.262
630-HSMF-C165	HSMF-C165	0603	Green/Red	Diffused	2.2/2.1	15/10	572/621	.39	.314	.161	.126
630-HSMH-C170	HSMH-C170	0805	Red	Diffused	1.8	17	639	.32	.224	.128	.088
630-HSMS-C170	HSMS-C170	0805	Red	Diffused	2.1	10	626	.32	.224	.128	.088
630-HSMC-C170	HSMC-C170	0805	Red	Diffused	1.9	90	626	.44	.359	.184	.144
630-HSMD-C170	HSMC-C170	0805	Orange	Diffused	2.2	8	604	.32	.224	.128	.088
630-HSMA-C170	HSMA-C170	0805	Amber	Diffused	1.9	90	592	.44	.359	.184	.144
630-HSMY-C170	HSMY-C170	0805	Yellow	Diffused	2.1	8	586	.32	.224	.128	.088
630-HSMG-C170	HSMG-C170	0805	Green	Diffused	2.2	15	572	.32	.224	.128	.088
630-HSMM-C170	HSMM-C170	0805	Green	Diffused	3.3	120	525	.93	.625	.50	.35
630-HSMR-C170	HSMR-C170	0805	Blue	Diffused	3.4	55	473	.80	.522	.342	.262
630-HSMN-C170	HSMN-C170	0805	Blue	Diffused	3.3	35	470	.80	.522	.342	.262
630-HSMH-C150	HSMH-C150	1206	Red	Diffused	1.8	17	639	.32	.224	.128	.088
630-HSMS-C150	HSMS-C150	1206	Red	Diffused	2.1	10	626	.32	.224	.128	.088
630-HSMD-C150	HSMC-C150	1206	Orange	Diffused	2.2	8	604	.32	.224	.128	.088
630-HSMY-C150	HSMY-C150	1206	Yellow	Diffused	2.1	8	586	.32	.224	.128	.088
630-HSMG-C150	HSMG-C150	1206	Green	Diffused	2.2	8	572	.32	.224	.128	.088
630-HSMQ-C150	HSMQ-C150	1206	Green	Diffused	3.4	145	527	.93	.625	.50	.35
630-HSMR-C150	HSMR-C150	1206	Blue	Diffused	3.4	55	473	.80	.522	.342	.262
630-HSMN-C150	HSMN-C150	1206	Blue	Diffused	3.3	35	470	.80	.522	.342	.262
630-HSMF-C155	HSMF-C155	1210	Green/Red	Diffused	2.2/2.1	15/10	572/626	.39	.314	.161	.126
630-HSMF-C156	HSMF-C156	1210	Green/Yellow	Diffused	2.2/2.1	15/8	572/586	.39	.314	.161	.126
630-HSMF-C118	HSMF-C118	1210	RGB	Diffused	1.9/3.5/3.5	40/120/40	626/525/470	1.68	1.12	.90	.63
630-HSMC-C265	HSMC-C265	1305	Red	Non-diffused	1.9	75	626	.44	.359	.184	.144
630-HSMA-C265	HSMA-C265	1305	Amber	Non-diffused	1.9	75	592	.44	.359	.184	.144
630-HSMG-C265	HSMG-C265	1305	Green	Non-diffused	2.2	15	572	.39	.314	.161	.126
630-HSMZ-A100-R00J1	HSMZ-A100-R00J1	PLCC-2	Red	Epoxy	2.2	200	639	.62	.406	.269	.20
630-HSMS-A100-J00J1	HSMS-A100-J00J1	PLCC-2	Red	Epoxy	2.2	15	626	.30	.213	.122	.084
630-HSMC-A100-Q00J1	HSMC-A100-Q00J1	PLCC-2	Red	Epoxy	1.9	100	626	.38	.269	.154	.106
630-HSMC-A101-S00J1	HSMC-A101-S00J1	PLCC-2	Red	Epoxy	1.9	220	626	.37	.296	.152	.119
630-HSML-A101-S00J1	HSML-A101-S00J1	PLCC-2	Orange	Epoxy	1.9	220	605	.37	.296	.152	.119
630-HSMU-A100-R00J1	HSMU-A100-R00J1	PLCC-2	Amber	Epoxy	2.2	160	594	.60	.39	.258	.192
630-HSMG-A100-J02J1	HSMG-A100-J02J1	PLCC-2	Green	Epoxy	1.9	220	592	.30	.213	.122	.084
630-HSMA-A100-Q00J1	HSMA-A100-Q00J1	PLCC-2	Amber	Epoxy	1.9	100	590	.38	.269	.154	.106
630-HSMA-A101-S00J1	HSMA-A101-S00J1	PLCC-2	Amber	Epoxy	1.9	220	590	.40	.328	.168	.131
630-HSMM-A101-R00J1	HSMM-A101-R00J1	PLCC-2	Green	Epoxy	3.4	200	525	1.08	.72	.576	.403
630-HSMM-A100-S00J1	HSMM-A100-S00J1	PLCC-2	Green	Epoxy	3.4	350	525	1.24	.828	.662	.463
630-ASMT-UBB5-NS8Q2	ASMT-UBB5-NS8Q2	PLCC-2	Blue	Silicon	4.1	260	470	.71	.464	.304	.232
630-HSMN-A100-P00J1	HSMN-A100-P00J1	PLCC-2	Blue	Epoxy	3.4	50	470	1.01	.675	.54	.378
630-ASMT-UWB1-NX312	ASMT-UWB1-NX312	PLCC-2	Yellow	Diffused	3.6	2330	4000K	.67	.435	.285	.218
630-ASMT-UWB1-NX3A2	ASMT-UWB1-NX3A2	PLCC-2	Yellow	Diffused	3.6	2330	8000K	.78	.508	.333	.254
630-ASMT-UWB1-NX3B2	ASMT-UWB1-NX3B2	PLCC-2	Yellow	Diffused	3.6	2330	6500K	.78	.508	.333	.254
630-ASMT-UWB1-NX3C2	ASMT-UWB1-NX3C2	PLCC-2	Yellow	Diffused	3.6	2330	5700K	.78	.508	.333	.254
630-ASMT-UWB1-NX3D2	ASMT-UWB1-NX3D2	PLCC-2	Yellow	Diffused	3.6	2330	5000K	.78	.508	.333	.254
630-ASMT-UWB1-NX3E2	ASMT-UWB1-NX3E2	PLCC-2	Yellow	Diffused	3.6	2330	4500K	.78	.508	.333	.254
630-ASMT-UWB1-NX3F2	ASMT-UWB1-NX3F2	PLCC-2	Yellow	Diffused	3.6	2330	4000K	.78	.508	.333	.254
630-ASMT-UWB1-NX3G2	ASMT-UWB1-NX3G2	PLCC-2	Yellow	Diffused	3.6	2330	3500K	.78	.508	.333	.254
630-ASMT-UWB1-NX3H2	ASMT-UWB1-NX3H2	PLCC-2	Yellow	Diffused	3.6	2330	3000K	.78	.508	.333	.254
630-ASMT-UWB1-NX3J2	ASMT-UWB1-NX3J2	PLCC-2	Yellow	Diffused	3.6	2330	2700K	.78	.508	.333	.254
630-ASMC-PRB9-TV005	ASMC-PRB9-TV005	PLCC-4	Red	Epoxy	2.8	790	630	.67	.435	.285	.218
630-ASMT-SGB5-NW703	ASMT-SGB5-NW703	PLCC-4	Green	Silicon	4.1	2850	525	.89	.58	.38	.291
630-ASMT-SBB5-NT703	ASMT-SBB5-NT703	PLCC-4	Blue	Silicon	4.1	715	470	.80	.522	.342	.262
630-ASMT-SWB5-NW703	ASMT-SWB5-NW703	PLCC-4	White	Silicon	4.1	2850	-	.89	.58	.38	.291
630-ASMT-YTB2-0BB02	ASMT-YTB2-0BB02	PLCC-6	Red/Green/Blue	Silicone	2.1V/3.2V/3.2V	745/1600/380	622/530/470	1.62	1.15	.90	.687
630-ASMT-YTC2-0AA02	ASMT-YTC2-0AA02	PLCC-6	Red/Green/Blue	Silicone	2.1V/3.2V/3.2V	450/560/180	622/530/470	1.62	1.15	.90	.687
630-ASMT-YTD2-0BB02	ASMT-YTD2-0BB02	PLCC-6	Red/Green/Blue	Silicone	2.1V/3.2V/3.2V	745/1600/380	622/530/470	1.62	1.15	.90	.687
630-ASMT-YTB7-0AA02	ASMT-YTB7-0AA02	PLCC-6	Red/Green/Blue	Diffused	2.1/3.1/3.1	650/1900/384	627/537/475	1.05	.679	.445	.34
630-HSMH-C110	HSMH-C110	RA	Red	Non-diffused	1.8	17	639	.32	.224	.128	.088
630-HSMS-C110	HSMS-C110	RA	Red	Non-diffused	2.1	10	626	.32	.224	.128	.088
630-HSMA-C110	HSMA-C110	RA	Amber	Non-diffused	1.9	95	592	.50	.404	.207	.162
630-HSMY-C110	HSMY-C110	RA	Yellow	Non-diffused	2.1	10	586	.32	.224	.128	.088
630-HSMG-C110	HSMG-C110	RA	Green	Non-diffused	2.2	15	572	.32	.224	.128	.088
630-HSMR-C110	HSMR-C110	RA	Blue	Non-diffused	3.4	60	473	.80	.522	.342	.262

THRU-HOLE LEDS

For quantities greater than listed, call for quote.

MOUSER STOCK NO.	Avago Part No.	Package	Color		Forward Voltage	Illum. Intensity (typ.)(mcd)	Wavelength (nm)	Price Each			
			Source	Lens				1	10	100	1000
630-HLMP-K150	HLMP-K150	T1	Red	Tinted, Diffused	1.8	2	645	.50	.325	.215	.16
630-HLMP-K155	HLMP-K155	T1	Red	Water Clear	1.8	3	645	.60	.39	.258	.192
630-HLMP-K101	HLMP-K101	T1	Red	Tinted, Diffused	1.8	45	645	.50	.325	.215	.16
630-HLMP-K105	HLMP-K105	T1	Red	Water Clear	1.8	65	645	.44	.359	.184	.144
630-HLMP-NG07	HLMP-NG07	T1	Red	Non-diffused	1.9	90.2	645	.44	.359	.184	.144
630-HLMP-1600	HLMP-1600	T1	Red	Tinted, Diffused	5	2.1	635	.67	.435	.285	.218
630-HLMP-1601	HLMP-1601	T1	Red	Tinted, Diffused	12	2.2	635	.67	.435	.285	.218
630-HLMP-1700	HLMP-1700	T1	Red	Tinted, Diffused	1.7	2.3	635	.50	.325	.215	.16
630-HLMP-1700-B0002	HLMP-1700-B0002	T1	Red	Tinted, Diffused	1.7	2.3	635	.55	.357	.237	.176
630-HLMP-1700-B00A2	HLMP-1700-B00A2	T1	Red	Tinted, Diffused	1.7	2.3	635	.89	.58	.38	.291
630-HLMP-1301-E00A1	HLMP-1301-E00A1	T1	Red	Diffused	1.9	3.4	635	.71	.464	.304	.232
630-HLMP-1301-E00A2	HLMP-1301-E00A2	T1	Red	Diffused	1.9	3.4	635	.71	.464	.304	.232
630-HLMP-1321	HLMP-1321	T1	Red	Tinted, Non-diffused	1.9	30	635	.33	.269	.138	.108

AVAGO Thru-Hole LEDs



Avago LED Indication

THRU-HOLE LEDS (CONT.)

For quantities greater than listed, call for quote.

MOUSER STOCK NO.	Avago Part No.	Package	Color		Forward Voltage	Illum. Intensity (typ.) (mcd)	Wavelength (nm)	Price Each		
			Source	Lens				1	10	100
630-HLMP-1340	HLMP-1340	T1	Red	Tinted, Non-diffused	1.9	30	635	.44	.359	.184
630-HLMP-1301	HLMP-1301	T1	Red	Tinted, Diffused	1.9	3.4	635	.33	.269	.138
630-HLMP-1301-E0002	HLMP-1301-E0002	T1	Red	Tinted, Diffused	1.9	3.4	635	.39	.314	.161
630-HLMP-NL06	HLMP-NL06	T1	Amber	Non-diffused	1.9	90.2	600	.44	.359	.184
630-HLMP-1401	HLMP-1401	T1	Yellow	Tinted, Diffused	2	2.2	585	.33	.269	.138
630-HLMP-1440	HLMP-1440	T1	Yellow	Tinted, Non-diffused	2	45	585	.44	.359	.184
630-HLMP-1719	HLMP-1719	T1	Yellow	Tinted, Diffused	1.8	2.1	585	.50	.325	.215
630-HLMP-1719-A00A2	HLMP-1719-A00A2	T1	Yellow	Tinted, Diffused	1.8	2.1	585	.89	.58	.38
630-HLMP-1620	HLMP-1620	T1	Yellow	Tinted, Diffused	5	2.2	585	.67	.435	.285
630-HLMP-1621	HLMP-1621	T1	Yellow	Tinted, Diffused	12	2.2	585	.71	.464	.304
630-HLMP-1401-D00A1	HLMP-1401-D00A1	T1	Yellow	Diffused	2	3.6	5.85	.71	.464	.304
630-HLMP-1401-D00A2	HLMP-1401-D00A2	T1	Yellow	Diffused	2	3.6	585	.71	.464	.304
630-HLMP-1421	HLMP-1421	T1	Yellow	Tinted, Non-diffused	2	15	585	.33	.269	.138
630-HLMP-1503	HLMP-1503	T1	Green	Tinted, Diffused	2.1	1	565	.33	.269	.138
630-HLMP-1640	HLMP-1640	T1	Green	Tinted, Diffused	5	1.6	565	.67	.435	.285
630-HLMP-1641	HLMP-1641	T1	Green	Tinted, Diffused	12	1.6	565	.67	.435	.285
630-HLMP-1790	HLMP-1790	T1	Green	Tinted, Diffused	1.9	2.3	565	.50	.325	.215
630-HLMP-1790-A0002	HLMP-1790-A0002	T1	Green	Tinted, Diffused	1.9	2.3	565	.55	.357	.237
630-HLMP-1790-A00A2	HLMP-1790-A00A2	T1	Green	Tinted, Diffused	1.9	2.3	565	.89	.58	.38
630-HLMP-1503-C00A2	HLMP-1503-C00A2	T1	Green	Diffused	2.1	2.6	565	.71	.464	.304
630-HLMP-1503-D0000	HLMP-1503-D0000	T1	Green	Tinted, Diffused	2.1	4.2	565	.39	.314	.161
630-HLMP-1520	HLMP-1520	T1	Green	Tinted, Non-diffused	2.1	22	565	.50	.325	.215
630-HLMP-1521	HLMP-1521	T1	Green	Tinted, Non-diffused	2.1	22	565	.33	.269	.138
630-HLMP-1540	HLMP-1540	T1	Green	Untinted, Non-diffused	2.1	45	565	.44	.359	.184
630-HLMP-K600	HLMP-K600	T1	Emerald Green	Diffused	2.1	1	558	.50	.325	.215
630-HLMP-4000	HLMP-4000	T1-3/4	Green/Red	Diffused	2.2/1.9	2.1/2.6	568/635	.67	.435	.285
630-HLMP-4101	HLMP-4101	T1-3/4	Red	-	1.8	1000	650	.60	.39	.258
630-HLMP-D150	HLMP-D150	T1-3/4	Red	Tinted, Diffused	1.6	3	645	.50	.325	.215
630-HLMP-D155	HLMP-D155	T1-3/4	Red	Non-diffused	1.6	10	645	.60	.39	.258
630-HLMP-D101	HLMP-D101	T1-3/4	Red	Tinted, Diffused	1.8	70	645	.44	.359	.184
630-HLMP-D105	HLMP-D105	T1-3/4	Red	Non-diffused	1.8	240	645	.44	.359	.184
630-HLMP-EG3A-WX0DV	HLMP-EG3A-WX0DV	T-13/4	Red	Untinted	2.1	9300	626	.83	.543	.355
630-HLMP-3301-D0000	HLMP-3301-D0000	T1-3/4	Red	Tinted, Diffused	1.9	2.1	635	.39	.314	.161
630-HLMP-3301-D0002	HLMP-3301-D0002	T1-3/4	Red	Tinted, Diffused	1.9	2.1	635	.39	.314	.161
630-HLMP-3351-D0000	HLMP-3351-D0000	T1-3/4	Red	Tinted, Diffused	1.9	2.1	635	.65	.422	.28
630-HLMP-3600	HLMP-3600	T1-3/4	Red	Tinted, Diffused	5	2.1	635	.67	.435	.285
630-HLMP-3601	HLMP-3601	T1-3/4	Red	Tinted, Diffused	12	2.1	635	.67	.435	.285
630-HLMP-3301	HLMP-3301	T1-3/4	Red	Tinted, Diffused	1.9	5.4	635	.33	.269	.138
630-HLMP-3301-F0002	HLMP-3301-F0002	T1-3/4	Red	Tinted, Diffused	1.9	5.4	635	.39	.314	.161
630-HLMP-3301-F00B2	HLMP-3301-F00B2	T1-3/4	Red	Tinted, Diffused	1.9	5.4	635	.71	.464	.304
630-HLMP-3351	HLMP-3351	T1-3/4	Red	Tinted, Diffused	1.9	5.4	635	.60	.39	.258
630-HLMP-3762	HLMP-3762	T1-3/4	Red	Tinted, Diffused	1.9	8.6	635	.60	.39	.258
630-HLMP-3316	HLMP-3316	T1-3/4	Red	Non-diffused	1.9	22	635	.33	.269	.138
630-HLMP-C223	HLMP-C223	T1-3/4	Red	Non-diffused	1.9	90.2	635	.60	.39	.258
630-HLMP-3750	HLMP-3750	T1-3/4	Red	Non-diffused	1.9	125	635	.60	.39	.258
630-HLMP-C215	HLMP-C215	T1-3/4	Red	Non-diffused	1.9	138	635	.60	.39	.258
630-HLMP-C025-P0000	HLMP-C025-P0000	T1-3/4	Red	Untinted, Non-diffused	1.9	1000	635	.39	.314	.161
630-HLMP-C008-U0000	HLMP-C008-U0000	T1-3/4	Red	Untinted, Non-diffused	1.9	6000	635	.39	.314	.161
630-HLMP-ED31-SV000	HLMP-ED31-SV000	T1-3/4	Red	Water Clear	2	5500	630	.76	.493	.323
630-HLMP-ED33-SV000	HLMP-ED33-SV000	T1-3/4	Red	Water Clear	2	5500	630	.76	.493	.323
630-HLMP-4700	HLMP-4700	T1-3/4	Red	Tinted, Diffused	1.8	2.3	630	.50	.325	.215
630-HLMP-4700-C00B2	HLMP-4700-C00B2	T1-3/4	Red	Tinted, Diffused	1.8	2.3	630	.89	.58	.38
630-HLMP-EG30-NR000	HLMP-EG30-NR000	T1-3/4	Red	Water Clear	2	1900	630	.60	.39	.258
630-HLMP-EG24-PS000	HLMP-EG24-PS000	T1-3/4	Red	Water Clear	2	2500	630	.50	.325	.215
630-HLMP-EG15-RU000	HLMP-EG15-RU000	T1-3/4	Red	Water Clear	2	4200	630	.60	.39	.258
630-HLMP-EG08-Y2000	HLMP-EG08-Y2000	T1-3/4	Red	Water Clear	2	12000	630	.70	.455	.301
630-HLMP-EG08-WZ000	HLMP-EG08-WZ000	T1-3/4	Red	Water Clear	2	16000	630	.60	.39	.258
630-HLMP-EG08-X1000	HLMP-EG08-X1000	T1-3/4	Red	Water Clear	2	21000	630	.65	.422	.28
630-HLMP-D401	HLMP-D401	T1-3/4	Orange	Tinted, Diffused	1.9	5.4	600	.33	.269	.138
630-HLMP-C415	HLMP-C415	T1-3/4	Orange	Non-diffused	1.9	138	600	.60	.39	.258
630-HLMP-EL30-LP000	HLMP-EL30-LP000	T1-3/4	Amber	Water Clear	2	310	590	.60	.39	.258
630-HLMP-EL30-PR400	HLMP-EL30-PR400	T1-3/4	Amber	Water Clear	2	1900	590	.67	.435	.285
630-HLMP-EL30-PS000	HLMP-EL30-PS000	T1-3/4	Amber	Water Clear	2	2500	590	.65	.422	.28
630-HLMP-C208-S0000	HLMP-C208-S0000	T1-3/4	Amber	Untinted, Non-diffused	1.9	3000	590	.39	.314	.161
630-HLMP-EL08-VY000	HLMP-EL08-VY000	T1-3/4	Amber	Water Clear	2	12000	590	.60	.39	.258
630-HLMP-C323	HLMP-C323	T1-3/4	Yellow	Non-diffused	2.1	96.2	585	.60	.39	.258
630-HLMP-4719	HLMP-4719	T1-3/4	Yellow	Tinted, Diffused	1.8	2.1	585	.50	.325	.215
630-HLMP-3650	HLMP-3650	T1-3/4	Yellow	Tinted, Diffused	5	1.2	585	.67	.435	.285
630-HLMP-3651	HLMP-3651	T1-3/4	Yellow	Tinted, Diffused	12	2.2	585	.67	.435	.285
630-HLMP-3401	HLMP-3401	T1-3/4	Yellow	Tinted, Diffused	2	5.7	585	.33	.269	.138
630-HLMP-3401-E00B2	HLMP-3401-E00B2	T1-3/4	Yellow	Tinted, Diffused	2	5.7	585	.71	.464	.304
630-HLMP-3862	HLMP-3862	T1-3/4	Yellow	Tinted, Diffused	2	9.2	585	.60	.39	.258
630-HLMP-3451	HLMP-3451	T1-3/4	Yellow	Tinted, Diffused	2	13.8	585	.60	.39	.258
630-HLMP-3416	HLMP-3416	T1-3/4	Yellow	Non-diffused	2	14.7	585	.33	.269	.138
630-HLMP-3850	HLMP-3850	T1-3/4	Yellow	Non-diffused	2	140	585	.60	.39	.258
630-HLMP-C315	HLMP-C315	T1-3/4	Yellow	Non-diffused	2.1	147	585	.60	.39	.258

AVAGO Thru-Hole LEDs and LED Arrays



LED Indication

Avago

THRU-HOLE LEDs (CONT.)

For quantities greater than listed, call for quote.

MOUSER STOCK NO.	Avago Part No.	Package	Color		Forward Voltage	Illum. Intensity (typ.)(mcd)	Wavelength (nm)	Price Each		
			Source	Lens				1	10	100
630-HLMP-EG08-VY000	HLMP-EG08-VY000	T1-3/4	Red	Untinted-Non-Diffused	1.9	12000	626	.55	.357	.237
630-HLMP-EG2A-XY0DD	HLMP-EG2A-XY0DD	T1-3/4	Red	Untinted-Non-Diffused	2.1	12000	626	.76	.493	.323
630-HLMP-3366	HLMP-3366	T1-3/4	Red	Tinted Diffused	1.9	13.8	626	.60	.39	.258
630-HLMP-EH08-Y2000	HLMP-EH08-Y2000	T1-3/4	Red-Orange	Untinted-Non-Diffused	1.94	27000	615	.70	.455	.301
630-HLMP-EJ15-SV000	HLMP-EJ15-SV000	T1-3/4	Orange	Water Clear	1.98	5500	605	.65	.422	.28
630-HLMP-EL15-VY000	HLMP-EL15-VY000	T1-3/4	Amber	Untinted-Non-Diffused	2.02	12000	590	.67	.435	.285
630-HLMP-C523	HLMP-C523	T1-3/4	Green	Non-Diffused	2.2	69.8	565	.60	.39	.258
630-HLMP-C515	HLMP-C515	T1-3/4	Green	Non-Diffused	2.2	170	565	.60	.39	.258
630-HLMP-3680	HLMP-3680	T1-3/4	Green	Tinted, Diffused	5	1.6	565	.67	.435	.285
630-HLMP-4740	HLMP-4740	T1-3/4	Green	Tinted, Diffused	1.8	2.3	565	.50	.325	.215
630-HLMP-4740-A00B2	HLMP-4740-A00B2	T1-3/4	Green	Tinted, Diffused	1.8	2.3	565	.89	.58	.38
630-HLMP-3507	HLMP-3507	T1-3/4	Green	Tinted, Diffused	2.1	4.2	565	.33	.269	.138
630-HLMP-3507-D00B2	HLMP-3507-D00B2	T1-3/4	Green	Tinted, Diffused	2.1	4.2	565	.89	.58	.38
630-HLMP-3554	HLMP-3554	T1-3/4	Green	Tinted, Non-Diffused	2.1	6.7	565	.60	.39	.258
630-HLMP-3519	HLMP-3519	T1-3/4	Green	Non-Diffused	2.1	10.6	565	.33	.269	.138
630-HLMP-3962	HLMP-3962	T1-3/4	Green	Non-Diffused	2.2	10.6	565	.60	.39	.258
630-HLMP-3950	HLMP-3950	T1-3/4	Green	Non-Diffused	2.2	265	565	.60	.39	.258
630-HLMP-3950-K00B2	HLMP-3950-K00B2	T1-3/4	Green	Non-Diffused	2.2	265	565	.98	.638	.418
630-HLMP-CM3A-Z10DD	HLMP-CM3A-Z10DD	T1-3/4	Green	Untinted-Non-Diffused	3.2	21000	525	1.12	.75	.60
630-HLMP-0800	HLMP-0800	Rectangular	Green/Red	Diffused	2.2/1.9	2.1/2.6	568/635	.98	.638	.418
630-HLMP-S201-D0000	HLMP-S201-D0000	Rectangular	Red	Tinted, Diffused	1.9	6.5	645	.33	.269	.138
630-HLMP-S100	HLMP-S100	Rectangular	Red	Tinted, Diffused	1.9	7.5	645	.50	.325	.215
630-HLMP-S201	HLMP-S201	Rectangular	Red	Tinted, Diffused	1.9	7.5	645	.33	.269	.138
630-HLMP-0301	HLMP-0301	Rectangular	Red	Tinted, Diffused	1.9	2.1	635	.89	.58	.38
630-HLMP-0401	HLMP-0401	Rectangular	Yellow	Tinted, Diffused	2.1	3.6	583	.89	.58	.38
630-HLMP-S301	HLMP-S301	Rectangular	Yellow	Tinted, Diffused	2.1	4	583	.33	.269	.138
630-HLMP-S501-D0002	HLMP-S501-D0002	Rectangular	Green	Tinted, Diffused	2.2	8	565	.39	.314	.161
630-HLMP-0504	HLMP-0504	Rectangular	Green	Tinted, Diffused	2.2	1.6	565	.89	.58	.38
630-HLMP-S501	HLMP-S501	Rectangular	Green	Tinted, Diffused	2.2	8	565	.33	.269	.138

LED ARRAYS

For quantities greater than listed, call for quote.

MOUSER STOCK NO.	Avago Part No.	Color	Elements	Voltage	Current (mA)	Typical (mcd)	Price Each		
							1	10	100
630-HLCP-A100	HLCP-A100	Red	1	1.8	20	7.5	2.04	1.44	1.13
630-HLMP-2300	HLMP-2300	Red	1	2	20	7.5	1.62	1.15	.90
630-HLCP-B100	HLCP-B100	Red	1	1.8	20	15	2.88	2.16	1.75
630-HLMP-2400	HLMP-2400	Yellow	1	2.1	20	20	1.62	1.15	.90
630-HLMP-2500	HLMP-2500	Green	1	2.2	20	25	1.62	1.15	.90
630-HLMP-2450	HLMP-2450	Yellow	1	2.1	20	38	2.76	1.95	1.53
630-HLMP-2755	HLMP-2755	Yellow	1	2.1	20	38	2.43	1.72	1.35
630-HLMP-2350	HLMP-2350	Red	1	2	20	45	2.76	1.95	1.53
630-HLMP-2655	HLMP-2655	Red	1	2	20	45	2.43	1.72	1.35
630-HLMP-2965	HLMP-2965	Red/Green	1	2	20	45	5.54	4.15	3.36
630-HLMP-2550	HLMP-2550	Green	1	2.2	20	50	2.76	1.95	1.53
630-HLMP-2855	HLMP-2855	Green	1	2.2	20	50	2.43	1.72	1.35
630-HLMP-2785	HLMP-2785	Yellow	1	2.1	20	70	3.50	2.62	2.12
630-HLMP-2685	HLMP-2685	Red	1	2	20	80	3.50	2.62	2.12
630-HLMP-2885	HLMP-2885	Green	1	2.2	20	100	3.50	2.62	2.12
630-HLMP-2670	HLMP-2670	Red	2	1.8	25	23	3.50	2.62	2.12
630-HLMP-2800	HLMP-2800	Green	2	2.2	20	25	2.43	1.72	1.35
630-HLMP-2720	HLMP-2720	Yellow	4	2.1	20	20	3.50	2.62	2.12
630-HLMP-2620	HLMP-2620	Red	4	2	20	23	3.50	2.62	2.12
630-HLMP-2820	HLMP-2820	Green	4	2.2	20	25	3.50	2.62	2.12
630-HDSP-4830-HH000	HDSP-4830-HH000	Red	10	1.6	30	1250	6.63	4.97	4.02
630-HLCP-J100	HLCP-J100	Red	10	1.6	20	1	6.66	4.99	4.04
630-HDSP-4840	HDSP-4840	Yellow	10	2.2	10	1.9	6.66	4.99	4.04
630-HDSP-4850	HDSP-4850	Green	10	2.1	10	1.9	6.66	4.99	4.04
630-HDSP-4830	HDSP-4830	Red	10	2.1	10	3.5	5.60	4.20	3.40
630-HDSP-4832	HDSP-4832	R/Y/G	10	2.1	10	3.5	6.52	5.87	4.02
630-HDSP-4836	HDSP-4836	R/Y/G	10	2.1	10	3.5	6.52	5.87	4.02

Ultra-Violet (UV) LEDs



This page of product is RoHS compliant.

BIVAR UV LEDs

SMD

For quantities greater than listed, call for quote.

MOUSER STOCK NO.	Bivar Part No.	Fig.	Package	Wavelength (nm)	Intensity (mW)	Voltage (VDC)	Viewing Angle	Price Each			
								1	10	50	100
749-SM1206UV-405-IL	SM1206UV-405-IL	A	1206	405	0.65	3.4	30°	2.10	1.95	1.81	1.71

Through Hole

For quantities greater than listed, call for quote.

MOUSER STOCK NO.	Bivar Part No.	Fig.	Package	Wavelength (nm)	Optical Power Output (mW)		Voltage (VDC)	Viewing Angle	Price Each			
					Min.	Typ.			1	10	50	100
749-UV3TZ-390-15	UV3TZ-390-15	B	T-1	390	5	10	3.4	15°	1.31	1.20	1.15	1.04
749-UV3TZ-395-15	UV3TZ-395-15	B	T-1	395	5	10	3.4	15°	1.20	1.10	1.05	.95
749-UV3TZ-400-15	UV3TZ-400-15	B	T-1	400	5	10	3.4	15°	1.20	1.10	1.05	.95
749-UV3TZ-405-15	UV3TZ-405-15	B	T-1	405	5	10	3.4	15°	1.20	1.10	1.05	.95
749-UV3TZ-390-30	UV3TZ-390-30	B	T-1	390	5	10	3.4	30°	1.31	1.20	1.15	1.04
749-UV3TZ-395-30	UV3TZ-395-30	B	T-1	395	5	10	3.4	30°	1.20	1.10	1.05	.95
749-UV3TZ-400-30	UV3TZ-400-30	B	T-1	400	5	10	3.4	30°	1.20	1.10	1.05	.95
749-UV3TZ-405-30	UV3TZ-405-30	B	T-1	405	5	10	3.4	30°	1.20	1.10	1.05	.95
749-UV5TZ-390-15	UV5TZ-390-15	C	T-1 3/4	390	10	20	3.4	15°	1.31	1.20	1.15	1.04
749-UV5TZ-395-15	UV5TZ-395-15	C	T-1 3/4	395	10	20	3.4	15°	1.20	1.10	1.05	.95
749-UV5TZ-400-15	UV5TZ-400-15	C	T-1 3/4	400	10	20	3.4	15°	1.20	1.10	1.05	.95
749-UV5TZ-405-15	UV5TZ-405-15	C	T-1 3/4	405	10	20	3.4	15°	1.20	1.10	1.05	.95
749-UV5TZ-390-30	UV5TZ-390-30	C	T-1 3/4	390	10	20	3.4	30°	1.31	1.20	1.15	1.04
749-UV5TZ-395-30	UV5TZ-395-30	C	T-1 3/4	395	10	20	3.4	30°	1.11	1.02	.971	.879
749-UV5TZ-400-30	UV5TZ-400-30	C	T-1 3/4	400	10	20	3.4	30°	1.11	1.01	.971	.878
749-UV5TZ-405-30	UV5TZ-405-30	C	T-1 3/4	405	10	20	3.4	30°	1.20	1.10	1.05	.95

VCC UV LEDs

For quantities greater than listed, call for quote.

MOUSER STOCK NO.	VCC Part No.	Fig.	Package	Wavelength (nm)	Intensity (mcd)	Voltage (VDC)	Viewing Angle	Price Each			
								1	10	50	100
593-VAOL3EUVOY4	VAOL-3EUVOY4	B	T-1	405	150	3.0	15°	.77	.694	.507	.479
593-VAOL5EUVOY4	VAOL-5EUVOY4	C	T-1 3/4	405	200	3.0	15°	.77	.694	.507	.479
593-VAOL5EUV8T4	VAOL-5EUV8T4	C	T-1 3/4	385	100	3.0	15°	1.00	.895	.653	.617
593-VAOL5GUV0T4	VAOL-5GUV0T4	C	T-1 3/4	405	160	3.0	30°	.77	.694	.507	.479
593-VAOL5GUV8T4	VAOL-5GUV8T4	C	T-1 3/4	385	80	3.0	30°	1.00	.895	.653	.617

LUMEX UV LED

For quantities greater than listed, call for quote.

MOUSER STOCK NO.	Lumex Part No.	Fig.	Package	Wavelength (nm)	Optical Power Output (mW)		Voltage (VDC)	Viewing Angle	Price Each			
					Min.	Typ.			1	10	50	100
696-SSL-LXT046375C	SSL-LXT046375C	D	TO-46	377	-	1.3	3.6	80°	22.75	20.77	20.43	16.29

LED ENGIN HIGH-POWER UV LEDs

For quantities greater than listed, call for quote.

MOUSER STOCK NO.	LED Engin Part No.	Fig.	Wattage	Wavelength (nm)	Radiant Flux (Typ.)	Voltage (VDC) (Typ.)	Current (mA)	Viewing Angle	Price Each			
									1	10	25	100
897-LZ100UV000000	LZ1-00UV00-0000	E	2.8	370	800mW	4.1	700	70°	35.75	34.32	27.17	22.88
897-LZ110UV000000	LZ1-10UV00-0000	F	2.8	370	800mW	4.1	700	70°	36.12	31.92	28.14	24.36
897-LZ130UV000000	LZ1-30UV00-0000	G	2.8	370	800mW	4.1	700	70°	36.12	31.92	28.14	24.36
897-LZ100UA00-U4	LZ1-00UA00-U4	H	5	390	550mW	3.9	700	85°	25.17	24.20	19.36	14.52
897-LZ110UA00-U4	LZ1-10UA00-U4	F	5	390	550mW	3.9	700	85°	26.72	23.61	20.82	18.02
897-LZ100UA00-U5	LZ1-00UA00-U5	H	5	395	550mW	3.9	700	85°	25.17	24.20	19.36	14.52
897-LZ110UA00-U5	LZ1-10UA00-U5	F	5	395	550mW	3.9	700	85°	26.72	23.61	20.82	18.02
897-LZ100UA00-U6	LZ1-00UA00-U6	H	5	400	550mW	3.9	700	85°	25.17	24.20	19.36	14.52
897-LZ110UA00-U6	LZ1-10UA00-U6	F	5	400	550mW	3.9	700	85°	26.72	23.61	20.82	18.02
897-LZ110UA00-U7	LZ1-10UA00-U7	F	5	405	550mW	3.9	700	85°	26.72	23.61	20.82	18.02
897-LZ100UA00-U8	LZ1-00UA00-U8	H	5	410	550mW	3.9	700	85°	25.17	24.20	19.36	14.52
897-LZ110UA00-U8	LZ1-10UA00-U8	F	5	410	550mW	3.9	700	85°	26.72	23.61	20.82	18.02
897-LZ400UA00	LZ4-00UA00	-	10	400	2100mW	15.6	700	115°	83.96	75.90	70.84	67.29
897-LZ440UA00-U4	LZ4-40UA00-U4	F	10	390	2100mW	15.6	700	115°	64.10	56.77	54.00	50.36
897-LZ440UA00-U6	LZ4-40UA00-U6	F	10	400	2100mW	15.6	700	115°	64.10	56.77	54.00	50.36
897-LZ440UA00-U7	LZ4-40UA00-U7	F	10	405	2100mW	15.6	700	115°	64.10	56.77	54.00	50.36
897-LZ440UA00-U8	LZ4-40UA00-U8	F	10	410	2100mW	15.6	700	115°	64.10	56.77	50.36	45.60
897-LZC70UA00	LZC-70UA00	F	40	400	5600mW	44	700	95°	197.30	192.85	189.15	185.43
897-LZC70UA00-U4	LZC-70UA00-U4	F	40	390	5600mW	44	700	95°	217.18	212.29	208.21	204.12
897-LZC70UA00-U5	LZC-70UA00-U5	F	40	395	5600mW	44	700	95°	217.18	212.29	208.21	204.12
897-LZC70UA00-U7	LZC-70UA00-U7	F	40	405	5600mW	44	700	95°	217.18	212.29	208.21	204.12
897-LZC70UA00-U8	LZC-70UA00-U8	F	40	410	5600mW	44	700	95°	217.18	212.29	208.21	204.12

LUMINUS DEVICES HIGH-POWER UV LED

Applications:

- Specialty Projection Systems for Maskless Lithography - Optically matched to TiO₂95°DMD
- Rapid Prototyping and 3D Printing
- Medical and Scientific Instrumentation

Features:

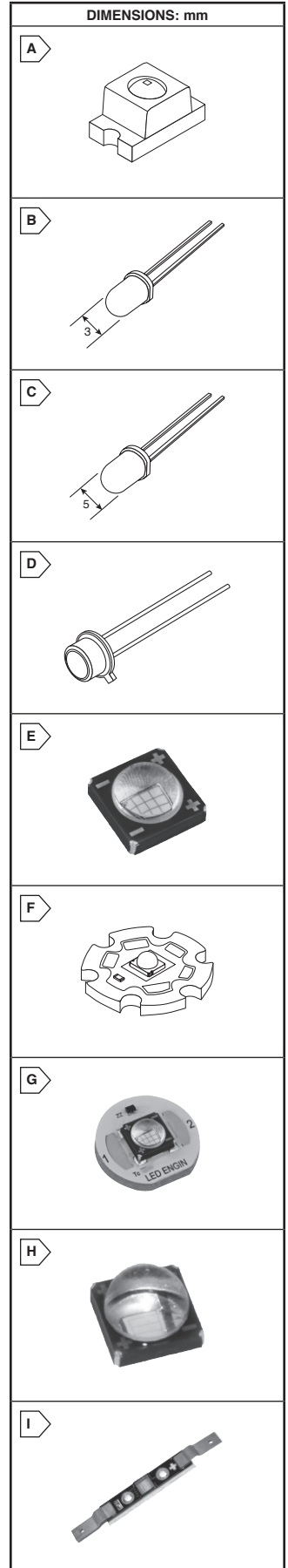
- Operating Voltage: 3.7V

For quantities greater than listed, call for quote.

MOUSER STOCK NO.	Luminus Devices Part No.	Fig.	Wavelength (nm)	Radiometric Flux (W)	Operating Current (A)	Price Each			
						1	10	100	500
896-CBT12UVC14M38222	CBT-120-UV-C14-M382-22	I	382-392	13.3	18	284.99	278.57	267.86	259.29

© Copyright 2015 Mouser Electronics

© Copyright 2015 Mouser Electronics



BIVAR LEDs



RoHS Compliant This page of product is RoHS compliant.

THRU-HOLE LEDs

MOUSER STOCK NO.	Bivar Part No.	Package	Color		Wavelength (nm)	Luminous Intensity (mcd)	Forward Voltage (typ)	Viewing Angle (°)	Price Each			
			Source	Lens					1	10	100	250
RGB												
749-R50RGB-F-0160	R50RGB-F-0160	4-pin Flux	RGB	Water Clear	635/525/470	600/800/150	2.6/3.8/3.8	160	3.37	3.21	2.80	2.71
749-R50RGB-4-0045	R50RGB-4-0045	4-pin Flux	RGB	Water Clear	635/525/470	4000/5000/400	2.6/3.8/3.8	45	3.37	3.21	2.80	2.71
749-R50RGB-5-0080	R50RGB-5-0080	4-pin Flux	RGB	Water Clear	635/525/470	1000/2000/200	2.6/3.8/3.8	80	3.39	3.23	2.82	2.73
3mm, Ultra Bright LED												
749-3UGC	3UGC	T1	Green	Water Clear	570	200	2.1	30	.32	.27	.213	.174
5mm, Super Bright LED												
749-SSGD	SSGD	T1 3/4	Green	Diffused	568	30	2.1	45	.34	.268	.223	.191
749-SSRD	SSRD	T1 3/4	Red	Diffused	645	40	1.7	45	.24	.192	.16	.137

SURFACE MOUNT LEDs

For quantities greater than listed, call for quote.

MOUSER STOCK NO.	Bivar Part No.	Package	Color		Wavelength (nm)	Luminous Intensity (mcd)	Forward Voltage (V)	Viewing Angle (°)	Price Each			
			Source	Lens					1	10	50	100
0603/0805/1210 Chip LEDs												
749-SM0603UYC	SM0603UYC	0603	Yellow	Water Clear	588	60	2.1	140	.42	.39	.35	.31
749-SM0603GC	SM0603GC	0603	Green	Water Clear	568	15	2.1	140	.72	.67	.597	.52
749-SM0805UYC	SM0805UYC	0805	Yellow	Water Clear	588	60	2	140	.42	.39	.35	.31
749-SM1210BCSR/HG	SM1210BCSR/HG	1210	Red/Green	Water Clear	660/560	30/25	1.8/2	140	.46	.432	.383	.337
PLCC2 Side View												
749-SMS1105RC	SMS1105RC	1105	Red	Water Clear	620	400	2.2	120	.62	.57	.556	.533
749-SMS1105OC	SMS1105OC	1105	Orange	Water Clear	600	800	2.2	120	.69	.621	.576	.559
749-SMS1105YC	SMS1105YC	1105	Yellow	Water Clear	587	400	2.2	120	.69	.618	.576	.556
749-SMS1105UWDW	SMS1105UWDW	1105	Warm White	Diffused	-	1400	3.4	120	.98	.87	.81	.78
749-SMS1105UWDN	SMS1105UWDN	1105	Neutral White	Diffused	-	1400	3.4	120	.98	.87	.81	.78
749-SMS1105UWDC	SMS1105UWDC	1105	Cool White	Diffused	-	1400	3.4	120	.86	.772	.718	.692
749-SM1204BC	SM1204BC	1204	Red/Green	Water Clear	640/568	7.2/18	2	130	.36	.31	.26	.25
749-SM1204BC-R/B	SM1204BC-R/B	1204	Red/Blue	Water Clear	631/470	115	2.1/2.9	130	1.12	.98	.81	.78
749-SM1204BC-A/G	SM1204BC-A/G	1204	Amber/Green	Water Clear	593/575	72/28.5	2.1	130	.44	.39	.327	.31
749-SM1204SRC	SM1204SRC	1204	Red	Water Clear	640	48	2.1	110	.27	.24	.20	.19
749-SM1204URC	SM1204URC	1204	Red	Water Clear	631	115	2.1	110	.27	.24	.20	.19
749-SM1204UOC	SM1204UOC	1204	Orange	Water Clear	625	70	2.1	110	.27	.24	.20	.19
749-SM1204UAC	SM1204UAC	1204	Amber	Water Clear	610	90	2.1	110	.27	.24	.20	.19
749-SM1204UYC	SM1204UYC	1204	Yellow	Water Clear	592	72	2.1	110	.27	.24	.20	.19
749-SM1204SGC	SM1204SGC	1204	Green	Water Clear	574	50	2.1	110	.23	.211	.176	.167
749-SM1204UGC	SM1204UGC	1204	Green	Water Clear	568	28.5	3.2	110	.45	.39	.33	.31
749-SM1204UPGC	SM1204UPGC	1204	Green	Water Clear	515	285	3.3	110	.89	.78	.65	.63
749-SM1204SBWC	SM1204SBWC	1204	Blue	Water Clear	470	90	3.3	110	.67	.59	.49	.47
749-SM1204UWC	SM1204UWC	1204	White	Diffused	-	450	3.3	110	.84	.73	.61	.59
PLCC2 Top View												
749-SMP2-SBWC	SMP2-SBWC	PLCC2	Blue	Water Clear	470	285	3.2	120	1.39	1.11	.927	.794
749-SMP2-SUWD	SMP2-SUWD	PLCC2	Cool White	Diffused	-	2650	3.2	120	2.08	1.66	1.39	1.19
749-SMP2-UPGC	SMP2-UPGC	PLCC2	Green	Water Clear	525	850	3.3	120	1.74	1.39	1.16	.991
749-SMP2-UWD	SMP2-UWD	PLCC2	White	Diffused	-	1050	3.2	120	1.74	1.39	1.16	.991
PLCC4												
749-SMP4-RGY	SMP4-RGY	PLCC4	Red/Green/Yellow	Water Clear	640/570/585	36/40/16	1.85/1.9/1.9	120	.92	.869	.833	.753
749-SMP4-BC-RB	SMP4-BC-RB	PLCC4	Red/Blue	Water Clear	640/466	36/50	1.85/3.3	120	1.17	1.04	.98	.94
749-SMP4-SBC	SMP4-SBC	PLCC4	Red/Green	Water Clear	631/574	180/115	1.9	120	.78	.70	.65	.63
749-SMP4-SRGY	SMP4-SRGY	PLCC4	Red/Green/Yellow	Water Clear	631/525/591	180/450/180	1.9/3.3/1.9	120	1.91	1.79	1.72	1.56
749-SMP4-SBC-YG	SMP4-SBC-YG	PLCC4	Yellow/Green	Water Clear	591/574	180/115	1.9	120	.69	.621	.577	.559
PLCC6												
749-SMP6-RGB	SMP6-RGB	PLCC6	Red/Green/Blue	Water Clear	620/520/465	700/900/500	2.1/3.3/3.3	140	3.85	3.60	3.25	3.00
749-SMP6-RC	SMP6-RC	PLCC6	Red	Water Clear	620	1800	2.2	140	1.94	1.76	1.67	1.49
749-SMP6-BWC	SMP6-BWC	PLCC6	Blue	Water Clear	465	2000	3.4	140	1.94	1.76	1.67	1.49
749-SMP6-UWWDN	SMP6-UWWDN	PLCC6	Neutral White	Diffused	-	5000	3.3	140	2.35	2.13	2.02	1.81
749-SMP6-UWDC	SMP6-UWDC	PLCC6	Cool White	Diffused	-	5000	3.3	140	2.35	2.13	2.02	1.81
Rectangular Panel Mount Indicators												
749-PMR4RD	PMR4RD	2x4mm	Red	Diffused	700	0.4	2.1	120	1.30	1.23	1.17	1.12
749-PMR4HD	PMR4HD	2x4mm	Red	Diffused	625	8	2	120	1.30	1.23	1.17	1.13
749-PMR4AD	PMR4AD	2x4mm	Amber	Diffused	605	6	2	120	1.33	1.26	1.20	1.15
749-PMR4YD	PMR4YD	2x4mm	Yellow	Diffused	590	6	2	120	1.32	1.25	1.19	1.15
749-PMR4GD	PMR4GD	2x4mm	Green	Diffused	568	8	2.1	120	1.31	1.23	1.17	1.13
749-PMR4PGD	PMR4PGD	2x4mm	Green	Diffused	555	2	2.2	120	1.46	1.38	1.31	1.27
749-FLPR4BWD	PMR4BWD	2x4mm	Blue	Diffused	430	6	4	120	2.31	2.18	2.07	2.00
Panel Mount LED Assemblies												
749-PM53-RY	PM53-RY	5mm	Red/Yellow	Diffused	625/590	35/30	5	40	.73	.648	.536	.514
749-PM53-RYW12.0	PM53-RYW12.0	5mm	Red/Yellow	Diffused	625/590	35/30	5	40	2.07	1.87	1.78	1.72
749-PM53-RYW12.0CC	PM53-RYW12.0CC	5mm	Red/Yellow	Diffused	625/590	35/30	5	40	2.51	2.28	2.16	2.08
749-PM5R3-RY	PM5R3-RY	5mm	Red/Yellow	Diffused	625/590	35/30	5	40	.66	.58	.48	.39
749-PM53-BC	PM53-BC	5mm	Red/Green	Diffused	625/568	35/35	5	40	.65	.57	.47	.45
749-PM53-BCW12.0	PM53-BCW12.0	5mm	Red/Green	Diffused	625/568	35/35	5	40	1.85	1.68	1.59	1.53
749-PM53-BCW12.0CC	PM53-BCW12.0CC	5mm	Red/Green	Diffused	625/568	35/35	5	40	2.49	2.27	2.15	2.08
749-PM5R3-BC	PM5R3-BC	5mm	Red/Green	Diffused	625/568	35/35	5	40	.51	.458	.436	.425
749-PM5R3-BCW12.0	PM5R3-BCW12.0	5mm	Red/Green	Diffused	625/568	35/35	5	40	1.66	1.51	1.43	1.38
749-PM5R3-BCW12.0CC	PM5R3-BCW12.0CC	5mm	Red/Green	Diffused	625/568	35/35	5	40	2.80	2.53	2.41	2.32
749-PM53-YG	PM53-YG	5mm	Yellow/Green	Diffused	590/568	30/35	5	40	.66	.58	.48	.46
749-PM53-YGW12.0	PM53-YGW12.0	5mm	Yellow/Green	Diffused	590/568	30/35	5	40	1.86	1.68	1.60	1.55

FLEX LIGHT PIPES

For quantities greater than listed, call for quote.

For quantities greater than listed, call for quote.

MOUSER STOCK NO.	Bivar Part No.	Color	Body Length (in.)	Price Each			
				1	10	100	250
749-FLPR6.0-H-RP	FLPR6.0-H-RP	Red	6	1.49	1.33	1.26	1.10
749-FLP25R6.5-SUR	FLP25R6.5-SUR	Red	6.5	2.62	2.33	2.20	1.93
749-FLPV6.5-H	FLPV6.5-H	Red	6.5	1.50	1.33	1.26	1.11
749-FLP25R6.0-SUG	FLP25R6.0-SUG	Green	6	2.50	2.22	2.11	1.85
749-FLPV6.0-SG	FLPV6.0-SG	Green	6	1.45	1.29	1.22	1.07
749-FLPR6.0-SG	FLPR6.0-SG	Green	6	1.45	1.29	1.22	1.07

MOUSER STOCK NO.	Bivar Part No.	Color	Body Length (in.)	Price Each			
				1	10	100	250
749-FLP25R6.0-UBW	FLP25R6.0-UBW	Blue	6	3.98	3.53	3.35	2.94
749-FLP25R6.5-UBW	FLP25R6.5-UBW	Blue	6.5	4.09	3.64	3.45	3.02
749-FLP25R6.0-SA	FLP25R6.0-SA	Amber	6	2.52	2.24	2.12	1.86
749-FLPR6.0-BC	FLPR6.0-BC	Red/Green	6	1.64	1.45	1.38	1.21
749-FLPV6.0-SBC	FLPV6.0-SBC	Red/Green	6	1.61	1.43	1.36	1.19
749-FLP25R6.0-UW	FLP25R6.0-UW	White	6	3.98	3.53	3.35	2.94
749-FLP25R6.5-UW	FLP25R6.5-UW	White	6.5	4.09	3.64	3.45	3.02

BIVAR LED Mounts and Light Pipes



RoHS Compliant This page of product is RoHS compliant.

LED Indication Bivar

RIGHT ANGLE LIGHT PIPES

Single Station

For quantities greater than listed, call for quote.

MOUSER STOCK NO.	Bivar Part No.	Color	LED Size	Mounting Style	Price Each			
					1	10	100	500
749-RLP1-200-500	RLP1-200-500	White	2.8mm	SMD	.84	.77	.67	.63
749-RLP1-200-650	RLP1-200-650	White	2.8mm	SMD	.85	.78	.67	.64
749-RLP1-200-800	RLP1-200-800	White	2.8mm	SMD	.86	.79	.68	.65
749-RLP1-400-500	RLP1-400-500	White	2.8mm	SMD	.84	.779	.669	.639
749-RLP1-400-650	RLP1-400-650	White	2.8mm	SMD	.85	.789	.679	.639
749-RLP1-400-800	RLP1-400-800	White	2.8mm	SMD	.87	.801	.69	.65
749-RLP1-600-500	RLP1-600-500	White	2.8mm	SMD	.84	.77	.67	.63
749-RLP1-600-650	RLP1-600-650	White	2.8mm	SMD	.85	.78	.67	.64
749-RLP1-600-800	RLP1-600-800	White	2.8mm	SMD	.86	.79	.68	.65

Double Station

For quantities greater than listed, call for quote.

MOUSER STOCK NO.	Bivar Part No.	Color	LED Size	Mounting Style	Price Each			
					1	10	100	500
749-RLP2-200-500	RLP2-200-500	White	2.8mm	SMD	1.05	.96	.83	.78
749-RLP2-200-650	RLP2-200-650	White	2.8mm	SMD	1.06	.97	.83	.79
749-RLP2-200-800	RLP2-200-800	White	2.8mm	SMD	1.06	.98	.84	.80
749-RLP2-400-500	RLP2-400-500	White	2.8mm	SMD	1.06	.97	.84	.79
749-RLP2-400-650	RLP2-400-650	White	2.8mm	SMD	1.06	.978	.839	.799
749-RLP2-400-800	RLP2-400-800	White	2.8mm	SMD	1.07	.989	.849	.809
749-RLP2-600-800	RLP2-600-800	White	2.8mm	SMD	1.06	.98	.84	.80

Triple Station

For quantities greater than listed, call for quote.

MOUSER STOCK NO.	Bivar Part No.	Color	LED Size	Mounting Style	Price Each			
					1	10	100	500
749-RLP3-200-500	RLP3-200-500	White	2.8mm	SMD	1.18	1.08	.93	.88
749-RLP3-400-500	RLP3-400-500	White	2.8mm	SMD	1.18	1.08	.939	.889
749-RLP3-600-800	RLP3-600-800	White	2.8mm	SMD	1.22	1.12	.969	.919

Quad Station

For quantities greater than listed, call for quote.

MOUSER STOCK NO.	Bivar Part No.	Color	LED Size	Mounting Style	Price Each			
					1	10	100	500
749-RLP4-200-500	RLP4-200-500	White	2.8mm	SMD	1.37	1.26	1.08	1.02
749-RLP4-200-650	RLP4-200-650	White	2.8mm	SMD	1.40	1.29	1.11	1.05
749-RLP4-200-800	RLP4-200-800	White	2.8mm	SMD	1.41	1.30	1.11	1.06
749-RLP4-600-650	RLP4-600-650	White	2.8mm	SMD	1.40	1.29	1.11	1.05
749-RLP4-600-800	RLP4-600-800	White	2.8mm	SMD	1.40	1.29	1.11	1.05

LED MOUNTING HARDWARE

Natural Nylon - Round

For quantities greater than listed, call for quote.

MOUSER STOCK NO.	Bivar Part No.	Dia. (in.)	Pin Spacing (in.)	Overall Height (in.)	Price Each			
					1	10	100	500
749-450-050	450-050	0.25	0.1	0.05	.31	.23	.175	.141
749-450-120	450-120	0.25	0.1	0.12	.17	.134	.102	.082
749-450-200	450-200	0.25	0.1	0.2	.20	.156	.127	.093
749-455-250	455-250	0.25	0.1	0.25	.17	.134	.102	.082
749-455-350	455-350	0.25	0.1	0.35	.20	.156	.127	.093
749-456-500	456-500	0.25	0.1	0.5	.31	.229	.175	.141

Natural Nylon - Square

For quantities greater than listed, call for quote.

MOUSER STOCK NO.	Bivar Part No.	Dia. (in.)	Pin Spacing (in.)	Overall Height (in.)	Price Each			
					1	10	100	500
749-460-060	460-060	0.18	0.1	0.06	.20	.156	.127	.093
749-460-100	460-100	0.18	0.1	0.1	.12	.116	.103	.096
749-460-110	460-110	0.18	0.1	0.11	.17	.134	.102	.082
749-460-190	460-190	0.18	0.1	0.19	.23	.184	.131	.104
749-460-200	460-200	0.18	0.1	0.2	.20	.156	.127	.093
749-461-380	461-380	0.18	0.1	0.38	.31	.229	.175	.141
749-465-250	465-250	0.18	0.1	0.25	.21	.161	.133	.099
749-465-350	465-350	0.18	0.1	0.35	.31	.229	.175	.141

LED MOUNTING HARDWARE

Black Nylon

For quantities greater than listed, call for quote.

MOUSER STOCK NO.	Bivar Part No.	Dia. (in.)	Pin Spacing (in.)	Overall Height (in.)	Price Each			
					1	10	100	500
749-LTM-120	LTM-120	0.2	0.1	0.12	.23	.177	.125	.101
749-LTM-150	LTM-150	0.2	0.1	0.15	.24	.185	.12	.087
749-LTM-200	LTM-200	0.2	0.1	0.2	.20	.156	.127	.093
749-LTM-250	LTM-250	0.2	0.1	0.25	.13	.103	.098	.06
749-LTM-300	LTM-300	0.2	0.1	0.3	.24	.177	.135	.104
749-LTM-350	LTM-350	0.2	0.1	0.35	.13	.099	.075	.058
749-LTM-400	LTM-400	0.2	0.1	0.4	.24	.18	.12	.089
749-LTM-450	LTM-450	0.2	0.1	0.45	.24	.18	.12	.089
749-LTM-500	LTM-500	0.2	0.1	0.5	.27	.211	.148	.121

Molded Nylon - Rectangular

For quantities greater than listed, call for quote.

MOUSER STOCK NO.	Bivar Part No.	Dia. (in.)	Color	Height (in.)	Price Each			
					1	10	100	500
749-RL1-060	RL1-060	-	0.1	0.6	.24	.188	.134	.107

Extruded PVC, Self-Retained - Round

For quantities greater than listed, call for quote.

MOUSER STOCK NO.	Bivar Part No.	Dia. (in.)	Color	Height (in.)	Price Each			
					1	10	100	500
749-ELM-1-5MM	ELM 1-5MM	0.2	0.1	0.2	.10	.068	.056	.048

Surface Mount Flexible Light Pipe Adapter

For quantities greater than listed, call for quote.

MOUSER STOCK NO.	Bivar Part No.	Dia. (in.)	Color	Height (in.)	Price Each			
					1	10	100	500
749-SMFLP	SMFLP	0.068	0.1	0.43	.64	.53	.378	.303

LED PANEL CLIPS

For quantities greater than listed, call for quote.

MOUSER STOCK NO.	Bivar Part No.	Color	Size	Desc.	Price Each			
					1	10	100	500
749-C-103-SR	C-103-SR	Black	T1	1 Piece	.36	.27	.20	.16
749-CR-104	CR-104	Black	T1	2 Piece	.27	.211	.152	.121
749-C-105-SR	C-105-SR	Black	T1-3/4	1 Piece	.25	.128	.108	.10
749-CR-174	CR-174	Black	T1-3/4	2 Piece	.15	.122	.088	.07
749-CR-174L	CR-174L	Black	T1-3/4	2 Piece	.29	.171	.124	.101
749-CR-175	CR-175	Black	T1-3/4	2 Piece	.25	.128	.108	.10
749-CR-300	CR-300	Black	RWXD	2 Piece	.38	.32	.30	.28

RIGID LIGHT PIPES

3MM Light Pipes

For quantities greater than listed, call for quote.

MOUSER STOCK NO.	Bivar Part No.	Dia. (in.)	Color	Height (in.)	Price Each			
					1	10	100	500
Right Angle Light Pipes								
749-SLP3-200-100-R	SLP3-200-100-R	0.118	Clear	0.2	.31	.252	.21	.179
749-SLP3-250-100-F	SLP3-250-100-F	0.118	Clear	0.25	.31	.252	.21	.179
Round Lens								
749-PLP1-125-F	PLP1-125-F	0.118	Clear	0.125	.73	.69	.425	.361
749-PLP1-250-F	PLP1-250-F	0.118	Clear	0.25	1.36	.764	.541	.466
749-PLP1-350-F	PLP1-350-F	0.118	Clear	0.35	.42	.405	.249	.212
749-PLP1-500-F	PLP1-500-F	0.118	Clear	0.5	.73	.41	.29	.25
749-PLP1-750-F	PLP1-750-F	0.118	Clear	0.75	.71	.629	.409	.348
Round Leds, Round Face								
749-PLP1-125	PLP1-125	0.118	Clear	0.125	.71	.629	.409	.348
749-PLP1-250	PLP1-250	0.118	Clear	0.25	.73	.69	.425	.361
749-PLP1-375	PLP1-375	0.118	Clear	0.375	.42	.37	.241	.205
749-PLP1-500	PLP1-500	0.118	Clear	0.5	.42	.37	.241	.205
749-PLP1-625	PLP1-625	0.118	Clear	0.625	.73	.63	.41	.35
749-PLP1-750	PLP1-750	0.118	Clear	0.75	.73	.63	.41	.35

3MM Vertical Light Pipes

For quantities greater than listed, call for quote.

MOUSER STOCK NO.	Bivar Part No.	Dia. (in.)	Color	Height (in.)	Price Each			
					1	10	100	500
Flat Face								
749-VLP-250-F	VLP-250-F	0.118	Clear	0.25	.44	.342	.239	.196
749-VLP-350-F	VLP-350-F	0.118	Clear	0.35	.28	.21	.16	.144
749-VLP-550-F	VLP-550-F	0.118	Clear	0.55	.51	.394	.291	.228
Round Face								
749-VLP-250-R	VLP-250-R	0.118	Clear	0.25	.15	.117	.082	.067
749-VLP-300-R	VLP-300-R	0.118	Clear	0.3	.15	.117	.082	.067
749-VLP-350-R	VLP-350-R	0.118	Clear	0.35	.28	.21	.16	.124
749-VLP-450-R	VLP-450-R	0.118	Clear	0.45	.28	.21	.16	.124
Rectangular Face								
749-VLPR-24-650-2	VLPR-24-650-2	16.5x4	Clear	4x2	.74	.588	.49	.42

Low Profile Light Pipes

For quantities greater than listed, call for quote.

MOUSER STOCK NO.	Bivar Part No.	Dia. (in.)	Color	Height (in.)	Price Each			
					1	10	100	500
3MM - Round Lens, Round Face								
749-PLP2-125	PLP2-125	0.112	Clear	0.125	.73	.41	.29	.25
749-PLP2-250	PLP2-250	0.112	Clear	0.25	1.24	.697	.493	.425
749-PLP2-350	PLP2-350	0.112	Clear	0.35	.73	.69	.425	.361
749-PLP2-375	PLP2-375	0.112	Clear	0.375	.73	.41	.29	.25
749-PLP2-500	PLP2-500	0.112	Clear	0.5	.73	.41	.29	.25
749-PLP2-625	PLP2-625	0.112	Clear	0.625	1.24	.697	.493	.425
749-PLP2-750	PLP2-750	0.112	Clear	0.75	1.23	.695	.492	.423
5MM - Round Lens, Flat Face								
749-PLP5-2-250	PLP5-2-250	0.152	Clear	0.25	1.24	.697	.493	.425
749-PLP5-2-500	PLP5-2-500	0.152	Clear	0.5	.73	.69	.425	.361
749-PLP5-2-625	PLP5-2-625	0.152	Clear	0.625	.73	.41	.29	.25
749-PLP5-2-750	PLP5-2-750	0.152	Clear	0.75	.71	.629	.409	.391

5MM Round Lens, Round Face

For quantities greater than listed, call for quote.

MOUSER STOCK NO.	Bivar Part No.	Dia. (in.)	Color	Height (in.)	Price Each			
------------------	----------------	------------	-------	--------------	------------	--	--	--

BIVAR LED Panel Mount Indicators and LEDs



RoHS Compliant This page of product is RoHS compliant.

NYLON HOUSING PANEL MOUNT INDICATORS

The Nylon Panel Mount Indicators feature fast press-fit, simple installation for general signal indication that does not require additional water, dust, or moisture proofing from the operating area.

For quantities greater than listed, call for quote.

MOUSER STOCK NO.	Bivar Part No.	LED Size (mm)	Color		Wavelength (nm)	Luminous Intensity (mcd)	Forward Voltage (V)	Viewing Angle (°)	Price Each					
			Source	Lens					1	10	100	250		
3mm Press Fit LED Panel Assemblies														
749-PM3BWD	PM3BWD	3	Blue	Diffused	430	10	4	40	1.29	1.20	.99	.899		
749-PM3GD	PM3GD	3	Green	Diffused	568	25	2.1	40	.31	.30	.27	.25		
749-PM3GDW12	PM3GDW12.0	3	Green	Diffused	568	25	2.1	40	1.17	1.07	.873	.766		
749-PM3PGT	PM3PGT	3	Green	Tinted	555	10	2.2	30	.60	.53	.47	.42		
749-PM3PGTW12.0	PM3PGTW12.0	3	Green	Tinted	555	10	2.2	30	1.87	1.64	1.46	1.31		
749-PM3RD	PM3RD	3	Red	Diffused	700	2	2.1	40	.39	.34	.30	.27		
749-PM3RDW12.0	PM3RDW12.0	3	Red	Diffused	700	2	2.1	40	1.66	1.46	1.29	1.16		
749-PM3YD	PM3YD	3	Yellow	Diffused	590	20	2	40	.32	.31	.27	.25		
749-PM3YDW12	PM3YDW12.0	3	Yellow	Diffused	590	20	2	40	1.20	1.10	1.02	.895		
5mm Press Fit LED Panel Assemblies														
749-PM5BWD	PM5BWD	5	Blue	Diffused	430	30	4	45	1.29	1.22	.957	.82		
749-PM5GT	PM5GT	5	Green	Tinted	568	40	2.1	35	.42	.37	.32	.29		
749-PM5GTW12.0	PM5GTW12.0	5	Green	Tinted	568	40	2.1	35	1.69	1.48	1.32	1.18		
749-PM5RD	PM5RD	5	Red	Diffused	700	2	2.1	45	.39	.35	.31	.28		
749-PM5RDW12.0	PM5RDW12.0	5	Red	Diffused	700	2	2.1	45	1.67	1.46	1.30	1.17		

METAL HOUSING PANEL MOUNT INDICATORS

The Metal Panel Mount Indicators offer a threaded metallic housing that provides positive locking for constant vibration, ideal for a robust environment. The durable metallic housing can sustain extreme heat, cold, and harsh environments, and does not require any additional water and/or moisture protection.

For quantities greater than listed, call for quote.

MOUSER STOCK NO.	Bivar Part No.	LED Size (mm)	Color		Wavelength (nm)	Luminous Intensity (mcd)	Forward Voltage (V)	Viewing Angle (°)	Price Each					
			Source	Lens					1	10	100	250		
3mm Standard Chrome Panel Mount														
749-MPC3GD	MPC3GD	3	Green	Diffused	568	25	2.1	35	1.32	1.20	1.11	.974		
749-MPC3GDW12.0	MPC3GDW12.0	3	Green	Diffused	568	25	2.1	35	3.30	2.89	2.57	2.31		
749-MPC3RD	MPC3RD	3	Red	Diffused	700	2	2.1	20	1.86	1.63	1.45	1.30		
749-MPC3RDW12.0	MPC3RDW12.0	3	Red	Diffused	700	2	2.1	20	3.28	2.87	2.55	2.29		
3mm Recessed Chrome Panel Mount														
749-MPR3GD	MPR3GD	3	Green	Diffused	568	25	2.1	35	1.89	1.65	1.47	1.32		
749-MPR3GDW12.0	MPR3GDW12.0	3	Green	Diffused	568	25	2.1	35	3.30	2.89	2.57	2.31		
749-MPR3RD	MPR3RD	3	Red	Diffused	700	2	2.1	20	1.86	1.63	1.45	1.30		
749-MPR3RDW12.0	MPR3RDW12.0	3	Red	Diffused	700	2	2.1	20	3.28	2.87	2.55	2.29		
5mm Standard Chrome Panel Mount														
749-MPC5GD	MPC5GD	5	Green	Diffused	568	25	2.1	45	1.45	1.32	1.16	1.04		
749-MPC5GDW12.0	MPC5GDW12.0	5	Green	Diffused	568	25	2.1	45	3.37	2.95	2.62	2.36		
749-MPC5HDW12.0	MPC5HDW12.0	5	Red	Diffused	625	25	2	45	3.37	2.95	2.62	2.36		
749-MPC5RD	MPC5RD	5	Red	Diffused	700	2	2.1	45	1.93	1.69	1.50	1.35		
749-MPC5RDW12.0	MPC5RDW12.0	5	Red	Diffused	700	2	2.1	45	3.35	2.93	2.60	2.34		
5mm Recessed Chrome Panel Mount														
749-MPR5GD	MPR5GD	5	Green	Diffused	568	25	2.1	40	1.96	1.72	1.52	1.37		
749-MPR5GDW12.0	MPR5GDW12.0	5	Green	Diffused	568	25	2.1	40	3.37	2.95	2.62	2.36		
749-MPR5HD	MPR5HD	5	Red	Diffused	625	40	2	40	1.96	1.72	1.52	1.37		
749-MPR5RD	MPR5RD	5	Red	Diffused	700	1.5	2.1	40	1.93	1.69	1.50	1.35		
749-MPR5RDW12.0	MPR5RDW12.0	5	Red	Diffused	700	1.5	2.1	40	3.35	2.93	2.60	2.34		

IP67-RATED PANEL MOUNT INDICATORS

The IP67-Rated Panel Mount Indicators feature a forward voltage of 8-48V VAC/VDC, and a watertight seal from the front panel, ideal for waterproof and moisture protection. The housing and lens are made of ESD-protected material and the threaded housing provides positive locking for constant vibration, making these indicators ideal for use in a robust environment. A diffused lens provides uniform illumination and wide angle viewing capability.

For quantities greater than listed, call for quote.

MOUSER STOCK NO.	Bivar Part No.	LED Size (mm)	Color		Wavelength (nm)	Luminous Intensity (mcd)	Forward Voltage (V)	Viewing Angle (°)	Price Each					
			Source	Lens					1	10	100	250		
3mm Press Fit LED Panel Assemblies														
749-PM3-P1522-10.00	PM3-P1522-10.00	8.4	Clear	Diffused	-	-	-	-	9.21	8.29	7.54	6.91		
749-PM3-PGDW12-IP67	PM3-PGDW12.0	8.4	Green	White Diffused	568	30	8VAC, 48VDC	120	12.60	11.83	9.83	9.20		
749-PM3-PHD	PM3-PHD	8.4	Red	White Diffused	625	30	8VAC, 48VDC	120	11.90	10.71	9.73	8.92		
749-PM3-PHDW12.0	PM3-PHDW12.0	8.4	Red	White Diffused	625	30	8VAC, 48VDC	120	12.89	11.60	10.54	9.67		
749-PM3-PPGD	PM3-PPGD	8.4	Green	White Diffused	555	20	8VAC, 48VDC	120	12.04	10.84	9.85	9.03		
749-PM3-PPGDW12.0	PM3-PPGDW12.0	8.4	Green	White Diffused	555	20	8VAC, 48VDC	120	13.03	11.73	10.66	9.77		
749-PM3-PYD	PM3-PYD	8.4	Yellow	White Diffused	585	30	8VAC, 48VDC	120	11.90	10.71	9.73	8.92		
749-PM3-PYDW12.0	PM3-PYDW12.0	8.4	Yellow	White Diffused	585	30	8VAC, 48VDC	120	12.89	11.60	10.54	9.67		
5mm Press Fit LED Panel Assemblies														
749-PM5-M124-BLU	PM5-M124-BLU	7	Blue	Water Clear	465	20	12-24	100	35.20	33.21	32.00	29.33		
749-PM5-M124-GRN	PM5-M124-GRN	7	Green	Water Clear	530	20	12-24	100	35.20	33.21	32.00	29.33		
749-PM5-M124-RED	PM5-M124-RED	7	Red	Water Clear	625	20	12-24	100	35.20	33.21	32.00	29.33		
749-PM5-M124-YLW	PM5-M124-YLW	7	Yellow	Water Clear	590	20	12-24	100	35.20	33.21	32.00	29.33		
749-PM5-P2031-10.00	PM5-P2031-10.00	12.4	Clear	Diffused	-	-	-	-	9.90	8.91	8.10	7.43		
749-PM5-PHD	PM5-PHD	12.4	Red	White Diffused	625	25	8VAC, 48VDC	120	13.06	11.75	10.68	9.79		
749-PM5-PHDW12.0	PM5-PHDW12.0	12.4	Red	White Diffused	625	25	8VAC, 48VDC	120	14.05	12.64	11.49	10.54		
749-PM5-PPGD	PM5-PPGD	12.4	Green	White Diffused	555	10	8VAC, 48VDC	120	13.22	11.90	10.82	9.92		
749-PM5-PPGDW12.0	PM5-PPGDW12.0	12.4	Green	White Diffused	555	10	8VAC, 48VDC	120	14.21	12.79	11.63	10.66		
749-PM5-PYD	PM5-PYD	12.4	Yellow	White Diffused	590	300	8VAC, 48VDC	120	13.06	11.75	10.68	9.79		
749-PM5-PYDW12.0	PM5-PYDW12.0	12.4	Yellow	White Diffused	590	300	8VAC, 48VDC	120	14.05	12.64	11.49	10.54		

FLEXIBLE LIGHT PIPE LENSES

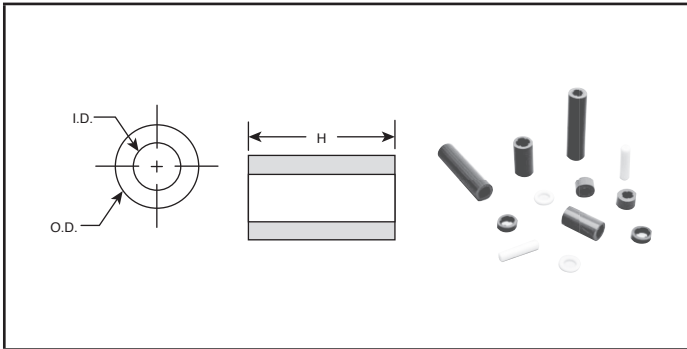
BIVAR Flexible Light Pipe Lenses are designed for light pipes that return flexibility to the designer and eliminate components and costly assembly steps. The result is a practical and economical indication solution. Light pipes are the perfect solution for moving light from the source to the destination. Bivar's light pipes act as a conduit for the light allowing for distances of a few millimeters up to 100 meters.

For quantities greater than listed, call for quote.

MOUSER STOCK NO.	Bivar Part No.	LED Size (mm)	Lens	Color	Body Length (in.)	Price Each			
						1	10	100	250
749-FLPF-10.0	FLPF-10.0	4.2	Flat	Clear	10	6.09	5.33	4.74	4.26
749-FLP25-10.0	FLP25-10.0	7	Round	Clear	10	6.47	5.66	5.03	4.53
749-LC2-10.0	LC2-10.0	5	Round	Clear	10	6.05	5.30	4.71	4.24

NYLON TUBULAR SPACERS

Universal Spacers give users an extremely wide selection of tubular spaces for mounting PCS discrete devices in any lead pattern and elevation. Seventeen basic I.D./O.D. combinations with heights ranging from .030" (.76) through 1.250" (31.8), in .005" (.13) increments are available from factory stock or within two weeks. Such a broad selection permits the user to choose the most suitable sizes for strength, elevation and ease of assembly, as well as providing for proper filleting and cleaning.



900 Series

For quantities greater than listed, call for quote.

MOUSER STOCK NO.		Dimensions: in. (mm)			Price Each			
Mfr.	Mfr. Part No.	H	I.D.	O.D.	1	10	100	500
749-901-020		.020	.028 (.71)	.085 (2.2)	.10	.064	.037	.03
749-901-030		.030	.028 (.71)	.085 (2.2)	.10	.036	.03	.028
749-901-050		.050	.028 (.71)	.085 (2.2)	.10	.036	.03	.028
749-901-070		.07	.028 (.71)	.085 (2.2)	.10	.056	.046	.039
749-901-100		.100	.028 (.71)	.085 (2.2)	.10	.06	.05	.042
749-901-105		.105	.028 (.71)	.085 (2.2)	.10	.039	.033	.03
749-901-125		.125	.028 (.71)	.085 (2.2)	.10	.073	.065	.055
749-901-350		.350	.028 (.71)	.085 (2.2)	.12	.074	.049	.046
749-902-030		.030	.032 (.81)	.125 (3.2)	.10	.036	.03	.028
749-902-065		.065	.032 (.81)	.125 (3.2)	.10	.064	.037	.03
749-902-080		.080	.032 (.81)	.125 (3.2)	.10	.042	.037	.032
749-902-090		.090	.032 (.81)	.125 (3.2)	.10	.042	.037	.032
749-902-365		.365	.032 (.81)	.125 (3.2)	.12	.074	.049	.046
749-902-375		.375	.032 (.81)	.125 (3.2)	.12	.074	.049	.046
749-903-060		.060	.047 (1.2)	.156 (4.0)	.12	.104	.073	.058
749-903-065		.065	.047 (1.2)	.156 (4.0)	.12	.104	.073	.058
749-903-200		.200	.047 (1.2)	.156 (4.0)	.10	.068	.056	.048
749-903-350		.350	.047 (1.2)	.156 (4.0)	.13	.126	.108	.089
749-904-150		.150	.063 (1.6)	.187 (4.7)	.10	.064	.053	.045
749-904-400		.400	.063 (1.6)	.187 (4.7)	.13	.096	.072	.058
749-905-050		.050	.147 (3.7)	.250 (6.4)	.12	.104	.073	.058
749-905-095		.095	.147 (3.7)	.250 (6.4)	.23	.181	.128	.103
749-905-100		.100	.147 (3.7)	.25 (6.4)	.10	.064	.053	.045
749-905-150		.150	.147 (3.7)	.25 (6.4)	.10	.064	.053	.045
749-905-190		.190	.147 (3.7)	.250 (6.4)	.10	.036	.026	.021
749-905-195		.195	.147 (3.7)	.250 (6.4)	.10	.036	.026	.021
749-905-250		.250	.147 (3.7)	.250 (6.4)	.12	.074	.049	.046
749-905-315		.315	.147 (3.7)	.250 (6.4)	.25	.219	.188	.156
749-905-350		.350	.147 (3.7)	.250 (6.4)	.37	.292	.188	.142
749-905-650		.650	.147 (3.7)	.250 (6.4)	.20	.179	.129	.105
749-906-075		.075	.085 (2.2)	.148 (3.8)	.23	.181	.128	.103
749-906-115		.115	.085 (2.2)	.148 (3.8)	.23	.181	.128	.103
749-906-160		.160	.085 (2.2)	.148 (3.8)	.10	.05	.037	.034
749-906-220		.220	.085 (2.2)	.148 (3.8)	.10	.036	.026	.021
749-907-030		.030	.105 (2.7)	.167 (4.2)	.23	.181	.128	.103
749-907-080		.080	.105 (2.7)	.167 (4.2)	.24	.193	.136	.109
749-907-100		.100	.105 (2.7)	.167 (4.2)	.10	.068	.046	.04
749-907-150		.150	.105 (2.7)	.167 (4.2)	.10	.068	.046	.04
749-907-185		.185	.105 (2.7)	.167 (4.2)	.10	.036	.026	.021
749-907-200		.200	.105 (2.7)	.167 (4.2)	.10	.068	.056	.048
749-907-215		.215	.105 (2.7)	.167 (4.2)	.10	.063	.047	.038
749-907-245		.245	.105 (2.7)	.167 (4.2)	.12	.074	.049	.046
749-908-040		.040	.125 (3.2)	.187 (4.7)	.10	.068	.046	.04
749-908-115		.115	.125 (3.2)	.187 (4.7)	.12	.104	.073	.058
749-908-150		.150	.125 (3.2)	.187 (4.7)	.12	.104	.073	.058
749-908-205		.205	.125 (3.2)	.187 (4.7)	.10	.034	.025	.021
749-908-275		.275	.125 (3.2)	.187 (4.7)	.12	.074	.049	.046
749-908-315		.315	.125 (3.2)	.187 (4.7)	.13	.126	.108	.089
749-908-470		.470	.125 (3.2)	.187 (4.7)	.10	.077	.059	.047
749-911-080		.080	.125 (3.2)	.250 (6.4)	.12	.104	.073	.058
749-911-105		.105	.125 (3.2)	.250 (6.4)	.12	.104	.073	.058
749-911-155		.155	.125 (3.2)	.250 (6.4)	.10	.05	.037	.034
749-911-275		.275	.125 (3.2)	.250 (6.4)	.12	.074	.049	.046
749-911-350		.350	.125 (3.2)	.250 (6.4)	.14	.131	.112	.093

900 Series (Cont.)

For quantities greater than listed, call for quote.

MOUSER STOCK NO.		Dimensions: in. (mm)			Price Each			
Mfr.	Mfr. Part No.	H	I.D.	O.D.	1	10	100	500
749-911-1.000		1.000	.125 (3.2)	.250 (6.4)	.17	.141	.104	.081
749-912-185		.185	.171 (4.3)	.250 (6.4)	.10	.036	.026	.021
749-912-220		.220	.171 (4.3)	.250 (6.4)	.10	.05	.037	.034
749-912-360		.360	.171 (4.3)	.250 (6.4)	.13	.121	.104	.086
749-912-375		.375	.171 (4.3)	.250 (6.4)	.13	.126	.108	.089
749-912-380		.380	.171 (4.3)	.250 (6.4)	.13	.126	.108	.089
749-913-090		.090	.091 (2.3)	.187 (4.7)	.12	.104	.073	.058
749-913-100		.100	.091 (2.3)	.187 (4.7)	.12	.104	.073	.058
749-913-195		.195	.091 (2.3)	.187 (4.7)	.10	.036	.026	.021
749-913-245		.245	.091 (2.3)	.187 (4.7)	.12	.074	.049	.046
749-937-090		.090	.090 (2.3)	.125 (3.2)	.10	.073	.065	.055
749-937-200		.200	.090 (2.3)	.125 (3.2)	.12	.104	.073	.058
749-937-250		.250	.090 (2.3)	.125 (3.2)	.10	.036	.026	.021
749-938-040		.040	.032 (.81)	.085 (2.2)	.10	.056	.046	.039
749-938-050		.050	.032 (.81)	.085 (2.2)	.10	.056	.046	.039
749-938-060		.060	.032 (.81)	.085 (2.2)	.10	.056	.046	.039
749-938-130		.130	.032 (.81)	.085 (2.2)	.10	.042	.037	.032
749-938-190		.190	.032 (.81)	.085 (2.2)	.12	.104	.073	.058
749-939-030		.030	.047 (1.2)	.125 (3.2)	.10	.036	.03	.028
749-939-040		.040	.047 (1.2)	.125 (3.2)	.10	.085	.053	.04
749-939-060		.060	.047 (1.2)	.125 (3.2)	.10	.056	.046	.039
749-939-090		.090	.047 (1.2)	.125 (3.2)	.21	.171	.139	.107
749-939-170		.170	.047 (1.2)	.125 (3.2)	.30	.27	.126	.116
749-939-270		.270	.047 (1.2)	.125 (3.2)	.10	.04	.038	.036
749-939-310		.310	.047 (1.2)	.125 (3.2)	.10	.036	.026	.021
749-939-480		.480	.047 (1.2)	.125 (3.2)	.13	.126	.108	.089
749-939-625		.625	.047 (1.2)	.125 (3.2)	.10	.075	.057	.055
749-939-735		.735	.047 (1.2)	.125 (3.2)	.10	.077	.059	.047
749-940-125		.125	.063 (1.6)	.156 (4.0)	.10	.068	.046	.04
749-940-160		.160	.063 (1.6)	.156 (4.0)	.10	.036	.026	.021
749-940-1.000		1.000	.063 (1.6)	.156 (4.0)	.17	.141	.104	.081
749-941-100		.100	.135 (3.4)	.230 (5.8)	.12	.104	.073	.058

9900 Series

For quantities greater than listed, call for quote.

MOUSER STOCK NO.	Bivar Part No.	Screw Size	Dimensions: in.			Price Each			
			Inside	Outside	Height	1	10	100	500
749-9905-062	9905-062	#6	.147	.250	1/16	.10	.056	.046	.039
749-9905-187	9905-187	#6	.147	.250	3/16	.10	.056	.046	.039
749-9905-250	9905-250	#6	.147	.250	1/4	.10	.064	.053	.043
749-9905-437	9905-437	#6	.147	.250	7/16	.10	.039	.033	.03
749-9905-750	9905-750	#6	.147	.250	3/4	.10	.064	.053	.045
749-9905-812	9905-812	#6	.147	.250	13/16	.10	.068	.056	.048
749-9905-1.000	9905-1.000	#6	.147	.250	1	.08	.07	.06	.05
749-9908-062	9908-062	#4	.125	.187	1/16	.10	.056	.046	.039
749-9908-250	9908-250	#4	.125	.187	1/4	.10	.035	.03	.03
749-9908-437	9908-437	#4	.125	.187	7/16	.10	.039	.033	.03
749-9908-562	9908-562	#4	.125	.187	9/16	.10	.06	.05	.042
749-9908-625	9908-625	#4	.125	.187	5/8	.10	.064	.053	.045
749-9908-750	9908-750	#4	.125	.187	3/4	.10	.064	.053	.045
749-9910-062	9910-062	#2	.091	.250	1/16	.10	.056	.046	.039
749-9910-125	9910-125	#2	.091	.250	1/8	.10	.056	.046	.039
749-9910-250	9910-250	#2	.091	.250	1/4	.10	.056	.046	.039
749-9910-375	9910-375	#2	.091	.250	3/8	.10	.06	.05	.042
749-9911-125	9911-125	#4	.125	.250	1/8	.10	.036	.03	.028
749-9911-312	9911-312	#4	.125	.250	5/16	.10	.056	.046	.039
749-9911-375	9911-375	#4	.125	.250	3/8	.10	.06	.05	.042
749-9911-500	9911-500	#4	.125	.250	1/2	.10	.039	.033	.03
749-9911-750	9911-750	#4	.125	.250	3/4	.10	.064	.053	.045
749-9912-125	9912-125	#8	.171	.250	1/8	.10	.056	.046	.039
749-9912-250	9912-250	#8	.171	.250	1/4	.10	.036	.03	.028
749-9912-437	9912-437	#8	.171	.250	7/16	.10	.06	.05	.042
749-9912-500	9912-500	#8	.171	.250	1/2	.10	.06	.05	.042
749-9912-750	9912-750	#8	.171	.250	3/4	.10	.064	.053	.045
749-9913-125	9913-125	#2	.091	.187	1/8	.07	.06	.05	.04
749-9913-187	9913-187	#2	.091	.187	3/16	.10	.056	.046	.039
749-9913-312	9913-312	#2	.091	.187	5/16	.10	.056	.046	.039
749-9913-375	9913-375	#2	.091	.187	3/8	.10	.06	.05	.042
749-9913-625	9913-625	#2	.091	.187	5/8	.10	.064	.053	.045

BIVAR Mounts and PCB Hardware



RoHS Compliant This page of product is RoHS compliant.

PERM-O-PADS™

For quantities greater than listed, call for quote.

MOUSER STOCK NO.	Bivar Part No.	Diameter (in.)	Pin Spacing (in.)	Overall Height (in.)	Price Each			
					1	10	100	500
TO-18 and T1 - 3/4 (5mm) LED Mounts								
749-100-095	100-095	.200	.10	.095	.14	.136	.125	.117
749-104-020	104-020	.200	.10	.020	.21	.19	.127	.093
749-105-021	105-021	.250	.10	.020	.14	.136	.125	.117
749-108-021	108-021	.225	.10	.020	.14	.136	.125	.117
749-109-045	109-045	.200	.10	.050	.14	.136	.125	.117
749-110-030	110-030	.200	.10	.030	.17	.134	.102	.082
749-111-080	111-080	.200	.10	.080	.14	.136	.125	.117
749-112-040	112-040	.225	.10	.040	.12	.116	.103	.079
749-116-060	116-060	.200	.10	.060	.13	.121	.107	.082
749-117-080	117-080	.255	.10	.080	.14	.136	.125	.117
749-118-055	118-055	.245	.10	.040	.14	.136	.125	.117
749-121-032	121-032	.187	.10	.032	.14	.136	.125	.117
TO-18 and T1 - 3/32 (5mm) LED Mounts								
749-102-090	102-090	.245	.10	.090	.17	.134	.102	.095
749-102-160	102-160	.245	.10	.150	.17	.134	.102	.082
749-102-200	102-200	.245	.10	.200	.14	.136	.125	.117
749-115-100	115-100	.200	.10	.095	.12	.116	.103	.079
TO-220 Pad								
749-423-150	423-150	-	0.14	.255	.31	.251	.179	.142
TO-5 Pad								
749-501-075	501-075	.345	.20	.075	.21	.198	.177	.135
749-506-038	506-038	.345	.20	.038	.31	.23	.175	.141
749-511-038	511-038	.345	.20	.040	.20	.156	.127	.093
749-515-020	515-020	.345	.20	.020	.21	.198	.177	.135
749-518-038	518-038	.345	.20	.038	.20	.156	.127	.093
749-520-021	520-021	.345	.20	.020	.20	.156	.127	.093
749-525-038	525-038	.345	.20	.040	.17	.134	.102	.082
TO-5 Mount								
749-514-050	514-050	.365	.20	.050	.20	.156	.127	.093
749-514-070	514-070	.365	.20	.070	.20	.156	.127	.093
749-514-100	514-100	.365	.20	.100	.32	.24	.182	.147
749-514-120	514-120	.365	.20	.120	.20	.156	.127	.093
8 Lead Integrated Circuit Mount								
749-610-075	610-075	.375	-	.075	.30	.22	.168	.135
749-615-075	615-075	.375	-	.075	.17	.133	.102	.098

PCB CARD GUIDES

For quantities greater than listed, call for quote.

MOUSER STOCK NO.	Bivar Part No.	Length (in.)	Snap-in Spacing (in.)	Center Snap-in Spacing	Price Each			
					1	10	100	500
ECON-O-GIDE™								
749-E-200	E-200	2	1	-	.96	.726	.547	.484
749-E-250	E-250	2.5	1.5	-	.43	.403	.354	.325
749-E-300	E-300	3	1.5	-	.43	.403	.354	.325
749-E-350	E-350	3.5	1.5	-	.43	.403	.354	.325
749-E-400	E-400	4	3	-	.51	.458	.402	.306
749-E-450	E-450	4.5	3	-	.51	.458	.402	.337
749-E-500	E-500	5	3	-	.51	.458	.402	.337
749-E-600	E-600	6	5	-	.55	.49	.434	.331
749-E-650	E-650	6.5	5	-	.48	.455	.394	.386
749-E-700	E-700	7	6	-	.72	.636	.563	.467
749-E-800	E-800	8	6	-	.75	.668	.591	.541
749-E-1000	E-1000	10	9	4.51	.99	.933	.807	.807
749-E-1200	E-1200	12	10.5	5.27	1.66	1.56	1.36	1.35
NARR-O-GIDE™								
749-N-250-2	N-250-2	2.5	2	-	.32	.296	.256	.191
749-N-300-2	N-300-2	3	2.5	-	.44	.352	.263	.231
749-N-350-2	N-350-2	3.5	3	-	.44	.352	.263	.231
749-N-400-2	N-400-2	4	3.5	-	.49	.379	.282	.249
749-N-450-2	N-450-2	4.5	4	-	.49	.379	.282	.249
749-N-500-2	N-500-2	5	4.5	-	.44	.321	.264	.22
749-N-550-2	N-550-2	5.5	5	-	.71	.537	.40	.358
749-N-600-2	N-600-2	6	5.5	-	.51	.453	.40	.305
749-N-700-3	N-700-3	7	6.5	-	.75	.56	.42	.37
749-N-850-3	N-850-3	8.5	8	4	.72	.544	.405	.358
GRIP-O-GIDE™								
749-DC-250	DC-250	2.5	1.5	-	.56	.502	.445	.337
749-DC-450	DC-450	4.5	3.5	-	.60	.529	.473	.357
749-DC-450-102	DC-450-102	4.5	3.5	-	.49	.447	.426	.351
749-DC-600	DC-600	6	5	-	.57	.535	.472	.461
749-DC-600-102	DC-600-102	6	5	-	.80	.75	.66	.59
749-DC-600-130	DC-600-130	6	5	-	.88	.826	.727	.65
749-DC-800	DC-800	8	7	3.5	.76	.683	.605	.548
749-DC-800-102	DC-800-102	8	7	3.5	.73	.651	.546	.491

CRYSTAL INSULATORS AND MOUNTS

For quantities greater than listed, call for quote.

MOUSER STOCK NO.	Bivar Part No.	L x W (mm)	Pin Spacing (in.)	Overall Height (in.)	Price Each			
					1	10	100	500
HC-49/U Molded Mounts								
749-470-025	470-025	.495x.245	.200	.060	.21	.202	.188	.168
749-470-035	470-035	.495x.245	.200	.070	.23	.178	.134	.104
749-470-045	470-045	.495x.245	.200	.080	.21	.202	.188	.168
HC-80/U, HC-43/U, HC-49/U Mylar Mounts								
749-CI-192-028	CI-192-028	.465x.219	.192	.005	.10	.05	.037	.034
749-CI-192-028-3SR	CI-192-028-3 SR	.465x.219	.192	.005	.07	.058	.043	.035
749-CI-192-028-SR	CI-192-028-SR	.465x.219	.192	.005	.10	.063	.044	.034
749-CI-192-050	CI-192-050	.465x.219	.192	.005	.10	.05	.037	.034

CARD-O-PULLS™ PCB HANDLES

For quantities greater than listed, call for quote.

MOUSER STOCK NO.	Bivar Part No.	Color	Tapered Length	Handle Length (in.)	Price Each			
					1	10	100	500
749-CP-2-WE	CP-2-WE	White	Handle	1.13	.74	.69	.60	.54
749-CP-3-WE	CP-3 WE	White	Handle	1.1	.82	.61	.46	.37
749-CP-06-WE	CP-06-WE	White	Ejector	1.13	.44	.352	.308	.242
749-CP-26-WE	CP-26-WE	White	Ejector	1.13	.44	.352	.308	.242
749-CP-36-WE	CP-36-WE	White	Ejector	1.1	.47	.441	.338	.294
749-CP-46-WE	CP-46-WE	White	Ejector	1.5	.74	.69	.60	.54
749-CP-66-WE	CP-66-WE	White	Ejector	1.25	.44	.352	.308	.242
749-CP-86-WE	CP-86-WE	White	Ejector	0.98	.54	.483	.43	.325
749-LP-06-WE	LP-06 WE	White	Ejector	1.12	.75	.57	.50	.396
749-LP-36-WE	LP-36 WE	White	Ejector	1.13	.77	.724	.63	.567

GRIP-O-GIDES™ DEEP CHANNEL CARD GUIDES

For quantities greater than listed, call for quote.

MOUSER STOCK NO.	Bivar Part No.	Mounting Hole Diameter (mm)	Termination Post Length (mm)	Price Each			
				1	10	100	500
749-DC-400	DC-400	4.7	4.8	.56	.502	.447	.332
749-DC-400-102	DC-400-102	4.7	4.8	.56	.502	.447	.332
749-DC-450-130	DC-450-130	4.7	4.8	.56	.534	.464	.416
749-DC-500	DC-500	4.7	4.8	.62	.556	.495	.373
749-DC-500-102	DC-500-102	4.7	4.8	.62	.556	.495	.373
749-DC-550	DC-550	4.7	4.8	.65	.583	.522	.393
749-DC-550-102	DC-550-102	4.7	4.8	.65	.583	.522	.393
749-DC-650	DC-650	4.7	4.8	.72	.645	.57	.428
749-DC-650-102	DC-650-102	4.7	4.8	.72	.645	.57	.428
749-DC-700	DC-700	4.7	4.8	.75	.671	.596	.447
749-DC-700-102	DC-700-102	4.7	4.8	.75	.671	.596	.447
749-DC-750	DC-750	4.7	4.8	.78	.706	.624	.468
749-DC-750-102	DC-750-102	4.7	4.8	.78	.706	.624	.468
749-DC-800-130	DC-800-130	4.7	4.8	.73	.688	.602	.54

COMP-O-GIDE™

For quantities greater than listed, call for quote.

MOUSER STOCK NO.	Bivar Part No.	Length (in.)	Snap-in Spacing (in.)	Center Snap-in Spacing	Price Each			
					1	10	100	500
Standard Snap-in Card Guides - SDC Series								
749-SDC-250	SDC-250	2.5	1.5	0.175	.64	.576	.503	.377
749-SDC-300	SDC-300	3	2	0.175	.48	.382	.334	.307
749-SDC-400	SDC-400	4	3	0.175	.92	.69	.52	.46
749-SDC-450	SDC-450	4.5	3.5	0.175	.96	.726	.547	.484
749-SDC-600	SDC-600	6	5	0.175	1.00	.756	.567	.504
749-SDC-650	SDC-650	6.5	5.5	0.175	.96	.72	.54	.48
Standard Snap-In Card Guides - SSD Series								
749-SSD-400	SSD-400	4	3	0.125	.80	.64	.533	.456

VERT-O-GIDE™ VERTICAL PCB GUIDE

For quantities greater than listed, call for quote.

MOUSER STOCK NO.	Bivar Part No.	Length (in.)	Snap-in Spacing (in.)	Center Snap-in Spacing	Price Each			
					1	10	100	500
749-VG2-2	VG2-2	2	1.5	0.076	1.43	1.30	1.11	.933
749-VG2-25	VG2-25	2.5	1.5	0.076	1.43	1.30	1.11	.933
749-VG2-3	VG2-3	3	2	0.076	1.43	1.30	1.11	.933
749-VG2-35	VG2-35	3.5	2	0.076	1.43	1.30	1.11	.933
749-VG2-4	VG2-4	4	2	0.076	1.43	1.30	1.11	.933
749-VG2-5	VG2-5	5	2	0.076	2.02	1.90	1.65	1.64
749-VG2-6	VG2-6							

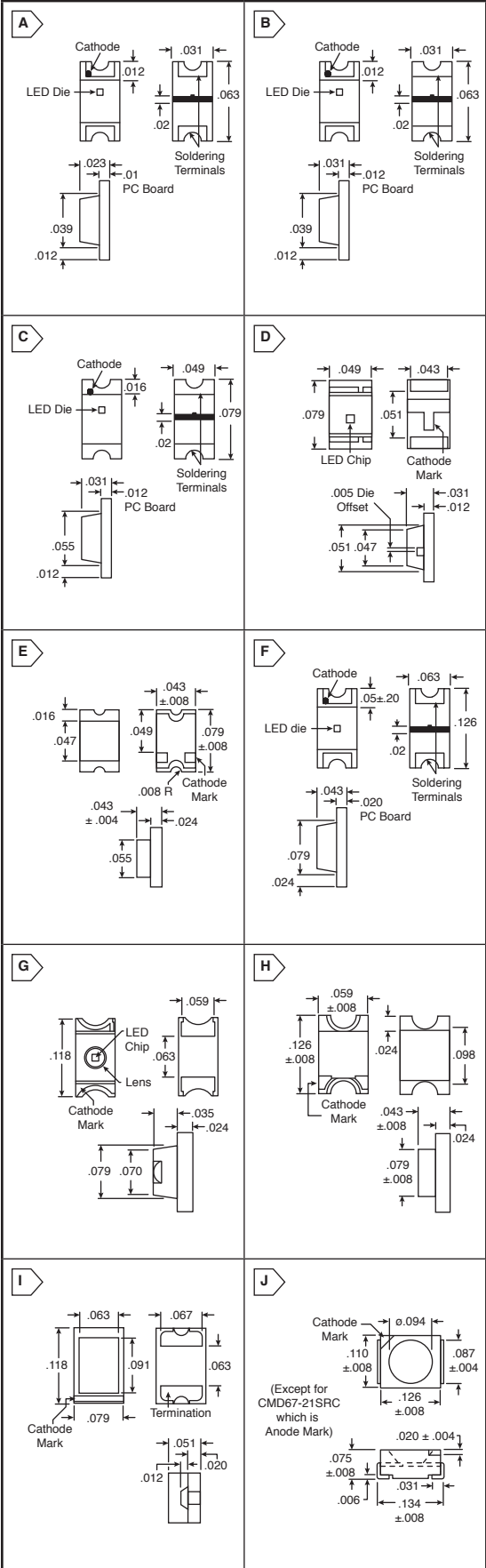
CHICAGO MINIATURE Surface Mount LED Lamps

RoHS Compliant This page of product is RoHS compliant.

LED Indication

Chicago Miniature

DIMENSIONS: in.



0603 SIZE

Low Profile, High Brightness

For quantities greater than listed, call for quote.

MOUSER STOCK NO.	Fig.	Color		Forward Voltage @IF=20mA		Luminous Intensity @ 20mA (mcd)		Peak Wavelength (nm)	Viewing Angle	Price Each		
		LED	Lens	Typ.	Max.	Min.	Typ.			1	100	500
607-CMDA19AR7D1S	A	Red	Clear Diff	1.9	2.4	25	90	637	170°	.24	.20	.17
607-CMDA19AY7D1S	A	Green	Clear Diff	2.2	2.6	4	15	570	170°	.24	.20	.17
607-CMDA19AG7D1S	A	Green	Clear Diff	3.4	3.9	40	145	520	140°	2.44	2.00	1.66

High Brightness

For quantities greater than listed, call for quote.

MOUSER STOCK NO.	Fig.	Color		Forward Voltage @IF=20mA		Luminous Intensity @ 20mA (mcd)		Peak Wavelength (nm)	Viewing Angle	Price Each		
		LED	Lens	Typ.	Max.	Min.	Typ.			1	100	500
607-CMDA6DR7D1S	B	Red	Clear Diff	1.8	2.6	6.3	17	660	170°	.34	.246	.22
607-CMDA6AR7D1S	B	Red	Clear Diff	1.9	2.4	25	90	637	170°	.24	.20	.17

0805 SIZE

High Brightness

For quantities greater than listed, call for quote.

MOUSER STOCK NO.	Fig.	Color		Forward Voltage @IF=20mA		Luminous Intensity @ 20mA (mcd)		Peak Wavelength (nm)	Viewing Angle	Price Each		
		LED	Lens	Typ.	Max.	Min.	Typ.			1	100	500
607-CMDA5DR7D1S	C	Red	Clear Diff	1.8	2.6	6.3	17	660	170°	.22	.18	.15
607-CMDA5AR7D1S	C	Red	Clear Diff	1.9	2.4	25	90	637	170°	.54	.411	.36
607-CMDA5DY7D1S	C	Amber	Clear Diff	1.9	2.4	25	90	595	170°	.24	.20	.17

SMD LED Lamps

For quantities greater than listed, call for quote.

MOUSER STOCK NO.	Fig.	Color		Forward Voltage @IF=20mA		Luminous Intensity @ 20mA (mcd)		Peak Wavelength (nm)	Viewing Angle	Price Each		
		LED	Lens	Typ.	Max.	Min.	Typ.			1	100	500
606-7012X5	D	Green	Clear Diff	2.1	2.5	3.8	6.4	560	120°	.24	.23	.21
606-CMD17-21SRC	E	Red	Clear	1.7	2.4	10.0	21.0	660	140°	.26	.25	.23
606-CMD17-21VRC	E	Hi-Eff Red	Clear	2.0	2.8	4.5	13.0	640	140°	.16	.15	.14
606-CMD17-21VYC	E	Yellow	Clear	2.0	2.8	5.0	12.0	585	140°	.16	.15	.14
606-CMD17-21VGC	E	Green	Clear	2.1	2.8	6.0	10.0	570	140°	.16	.15	.14

1206 SIZE

High Brightness

For quantities greater than listed, call for quote.

MOUSER STOCK NO.	Fig.	Color		Forward Voltage @IF=20mA		Luminous Intensity @ 20mA (mcd)		Peak Wavelength (nm)	Viewing Angle	Price Each		
		LED	Lens	Typ.	Max.	Min.	Typ.			1	100	500
607-CMDA2AR7D1S	F	Red	White Diff	1.9	2.4	25	90	637	170°	.35	.25	.19

SMD LED Lamps

For quantities greater than listed, call for quote.

MOUSER STOCK NO.	Fig.	Color		Forward Voltage @IF=20mA		Luminous Intensity @ 20mA (mcd)		Peak Wavelength (nm)	Viewing Angle	Price Each		
		LED	Lens	Typ.	Max.	Min.	Typ.			1	100	500
606-7010X11	G	Red	Clear	1.7	2.0	6.0	17.0	660	70°	.28	.26	.25
606-CMD15-21SRC	H	Red	Clear	1.7	2.4	6.0	15.0	660	140°	.24	.23	.21
606-CMD15-21VRC	H	Hi-Eff Red	Clear	2.0	2.8	3.6	6.0	640	140°	.18	.17	.16
606-CMD15-21VYC	H	Yellow	Clear	2.0	2.8	3.6	6.0	585	140°	.20	.18	.17
606-CMD15-21VGC	H	Green	Clear	2.1	2.8	6.0	10.0	570	140°	.18	.17	.16
606-CMD15-21UGC	H	Green	Clear	2.1	2.8	7.0	12.0	565	140°	.22	.20	.18
606-CMD15-21UBC	H	Blue	Clear	4.9	5.5	19.0	45.0	430	140°	1.78	1.68	1.56

1208 SIZE

For quantities greater than listed, call for quote.

MOUSER STOCK NO.	Fig.	Color		Forward Voltage @IF=20mA		Luminous Intensity @ 20mA (mcd)		Peak Wavelength (nm)	Viewing Angle	Price Each		
		LED	Lens	Typ.	Max.	Min.	Typ.			1	100	500
606-7016X1	I	Red	Clear	2.0	2.8	2.2	6.3	650	110°	.24	.23	.21
606-7016X13	I	Amber	Clear	2.0	2.8	2.2	6.3	610	110°	.39	.29	.25
606-7016X3	I	Yellow	Clear	2.1	2.8	2.2	6.3	585	110°	.24	.23	.21
606-7016X5	I	Green	Clear	2.2	2.8	5.6	16.0	563	110°	.24	.23	.21

PLCC-2 SIZE

For quantities greater than listed, call for quote.

MOUSER STOCK NO.	Fig.	Color		Forward Voltage @IF=20mA		Luminous Intensity @ 20mA (mcd)		Peak Wavelength (nm)	Viewing Angle	Price Each		
		LED	Lens	Typ.	Max.	Min.	Typ.			1	100	500
606-CMD67-21VRC	J	Hi-Eff Red	Clear	2.0	2.8	6.0	10	640	120°	.28	.25	.23
606-CMD67-21VYC	J	Yellow	Clear	2.0	2.8	6.0	10	585	120°	.26	.23	.22
606-CMD67-21VGC	J	Green	Clear	2.1	2.8	15	25	570	120°	.22	.20	.18

CHICAGO MINIATURE Thru-Hole LED Lamps

This page of product is RoHS compliant.

THRU-HOLE LED LAMPS

T-1 Blue

For quantities greater than listed, call for quote.

MOUSER STOCK NO.	Fig.	Color		Forward Voltage @ IF=20mA		Luminous Intensity @ 20mA(mcd)		Peak Wave-length (nm)	Viewing Angle	Price Each		
		LED	Lens	Typ.	Max.	Min.	Typ.			1	100	500
606-CMD264UBD	A	Blue	Blue Diff	4.9	5.5	63	100	430	45°	1.48	1.31	1.18
606-CMD264UBC	A	Blue	Clear	4.9	5.5	160	250	430	30°	1.61	1.40	1.30

T-1 Low Current

For quantities greater than listed, call for quote.

MOUSER STOCK NO.	Fig.	Color	Forward Voltage @ IF=20mA	Luminous Intensity @ 20mA(mcd)	Peak Wave-length (nm)	Viewing Angle	Price Each
606-4300F1LC	B	Red	1.8	2.0	634	50°	.26 .23 .22
606-4300F5LC	B	Green	1.8	2.2	565	50°	.26 .23 .22

T-1 Super Bright

For quantities greater than listed, call for quote.

MOUSER STOCK NO.	Fig.	Color		Forward Voltage @ IF=2mA		Luminous Intensity @ 2mA(mcd)		Peak Wave-length (nm)	Viewing Angle	Price Each		
		LED	Lens	Typ.	Max.	Min.	Typ.			1	100	500
606-4303F1	C	Red	Red Diff	2.0	3.0	3.6	10.0	650	90°	.33	.219	.187
606-4303F7	C	Yellow	Yellow Diff	2.1	3.0	2.2	6.3	585	90°	.33	.219	.187
606-4303F5	C	Green	Green Diff	2.2	3.0	5.6	16.0	562	90°	.33	.219	.187

T-1 with Integrated Resistor

For quantities greater than listed, call for quote.

MOUSER STOCK NO.	Fig.	Color		Forward Voltage @ IF=2mA		Luminous Intensity @ 2mA(mcd)		Peak Wave-length (nm)	Viewing Angle	Price Each		
		LED	Lens	Typ.	Max.	Min.	Typ.			1	100	500
606-4302F1-5V	D	Red	Red Diff	5	10	2.0	8.0	635	60°	.55	.49	.44
606-4302F3-5V	D	Amber	Amber Diff	5	10	2.0	8.0	583	60°	.36	.32	.30
606-4302F5-5V	D	Green	Green Diff	5	10	2.0	8.0	565	60°	.36	.32	.30
606-4302F1-12V	D	Red	Red Diff	12	13	2.0	8.0	635	60°	.55	.49	.44
606-4302F3-12V	D	Amber	Amber Diff	12	13	2.0	8.0	583	60°	.58	.50	.47
606-4302F5-12V	D	Green	Green Diff	12	13	2.0	8.0	565	60°	.80	.71	.64

T-1 3/4 Blue

For quantities greater than listed, call for quote.

MOUSER STOCK NO.	Fig.	Color		Forward Voltage @ IF=20mA		Luminous Intensity @ 20mA(mcd)		Peak Wave-length (nm)	Viewing Angle	Price Each		
		LED	Lens	Typ.	Max.	Min.	Typ.			1	100	500
606-CMD383UBC/H2	E	Blue	Clear	4.9	5.5	250	350	430	24°	2.78	2.47	2.22
606-CMD383UBC	E	Blue	Clear	4.9	5.5	600	800	430	12°	2.78	2.47	2.22

T-1 3/4 Low Current

For quantities greater than listed, call for quote.

MOUSER STOCK NO.	Fig.	Color		Forward Voltage @ IF=2mA		Luminous Intensity @ 2mA(mcd)		Peak Wave-length (nm)	Viewing Angle	Price Each		
		LED	Lens	Typ.	Max.	Min.	Typ.			1	100	500
606-4300H7LC	F	Yellow	Yellow Diff	1.9	2.7	1.0	2.1	583	50°	.26	.23	.22
606-4300H5LC	F	Green	Green Diff	1.8	2.2	1.0	2.3	565	50°	.26	.23	.22

T-1 3/4 Super Bright

For quantities greater than listed, call for quote.

MOUSER STOCK NO.	Fig.	Color		Forward Voltage @ IF=10mA		Luminous Intensity @ 10mA(mcd)		Peak Wave-length (nm)	Viewing Angle	Price Each		
		LED	Lens	Typ.	Max.	Min.	Typ.			1	100	500
606-4304H1	G	Red	Red Diff	2.0	3.0	3.0	6.3	650	65°	.31	.207	.176
606-4304H3	G	Amber	Amber Diff	2.2	3.0	4.0	20.0	608	60°	.42	.414	.406
606-4304H7	G	Yellow	Yellow Diff	2.1	3.0	2.5	6.3	585	65°	.31	.207	.176
606-4304H5	G	Green	Green Diff	2.1	3.0	3.0	10.0	563	75°	.16	.14	.13

T-1 3/4 Ultra Bright

For quantities greater than listed, call for quote.

MOUSER STOCK NO.	Fig.	Color		Forward Voltage @ IF=20mA		Luminous Intensity @ 20mA(mcd)		Peak Wave-length (nm)	Viewing Angle	Price Each		
		LED	Lens	Typ.	Max.	Min.	Typ.			1	100	500
606-4305H1	H	Red	Red	2.1	3.0	20	60	650	30°	.18	.157	.146
606-4305H7	H	Yellow	Yellow	2.2	3.0	56	160	585	30°	.30	.207	.176
606-4305H5	H	Green	Green	2.2	3.0	30	100	563	30°	.30	.207	.176
606-4308H5	I	Green	Clear	2.3	3.0	110	140	565	24°	.30	.27	.25

T-1 3/4 with Integrated Resistor

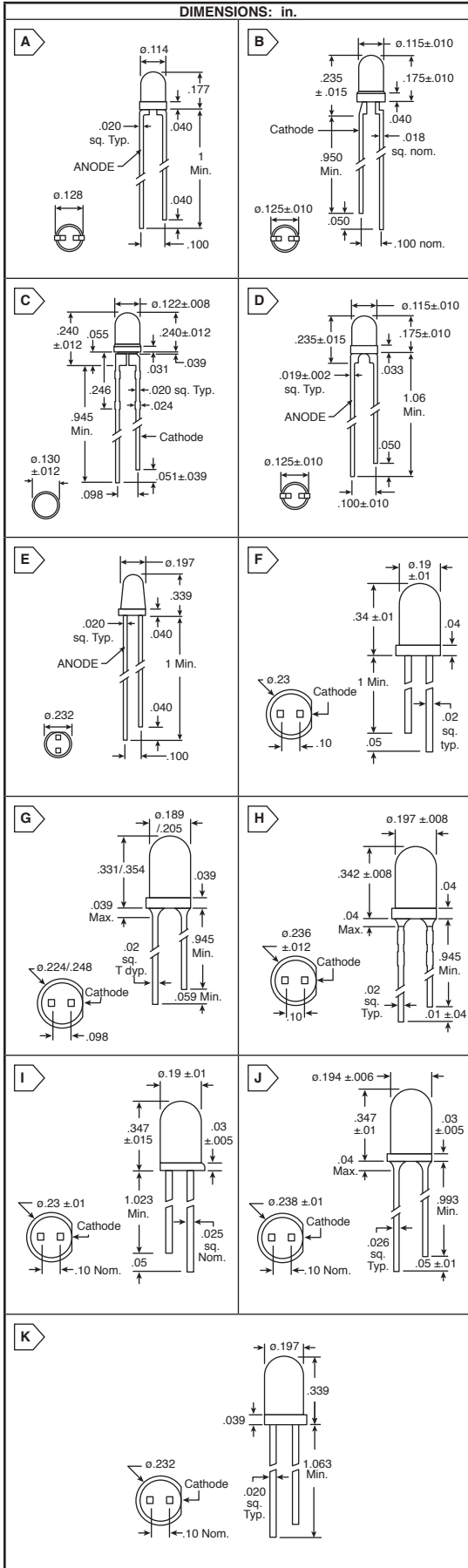
For quantities greater than listed, call for quote.

MOUSER STOCK NO.	Fig.	Color		Forward Voltage @ IF=20mA		Luminous Intensity @ 20mA(mcd)		Peak Wave-length (nm)	Viewing Angle	Price Each		
		LED	Lens	Typ.	Max.	Min.	Typ.			1	100	500
606-4302H1-5V	J	Red	Red Diff	5	10	2.0	8.0	635	60°	.55	.49	.44
606-4302H3-5V	J	Amber	Amber Diff	5	10	2.0	8.0	583	60°	.68	.60	.54
606-4302H5-5V	J	Green	Green Diff	5	12	2.0	8.0	565	60°	.55	.49	.44
606-4302H1-12V	J	Red	Red Diff	12	13	2.0	8.0	635	60°	.55	.49	.44
606-4302H3-12V	J	Amber	Amber Diff	12	13	2.0	8.0	583	60°	.55	.49	.44
606-4302H5-12V	J	Green	Green Diff	12	13	2.0	8.0	565	60°	.55	.49	.44

T-1 3/4 Bi-Polar for AC/DC Operation

For quantities greater than listed, call for quote.

MOUSER STOCK NO.	Fig.	Color		Forward Voltage @ IF=20mA		Luminous Intensity @ 20mA(mcd)		Peak Wave-length (nm)	Viewing Angle	Price Each		
		LED	Lens	Typ.	Max.	Min.	Typ.			1	100	500
60v6-4301H1/1	K	Red	Red	2.0	2.5	8.0	20.0	625	60°	1.20	1.07	.96
606-4301H7/7	K	Yellow	Yellow	2.1	2.5	5.0	20.0	590	60°	1.20	1.12	1.00
606-4301H5/5	K	Green	Green	2.2	2.5	5.0	20.0	565	60°	1.25	1.11	1.00



CHICAGO MINIATURE Incandescent Lamps

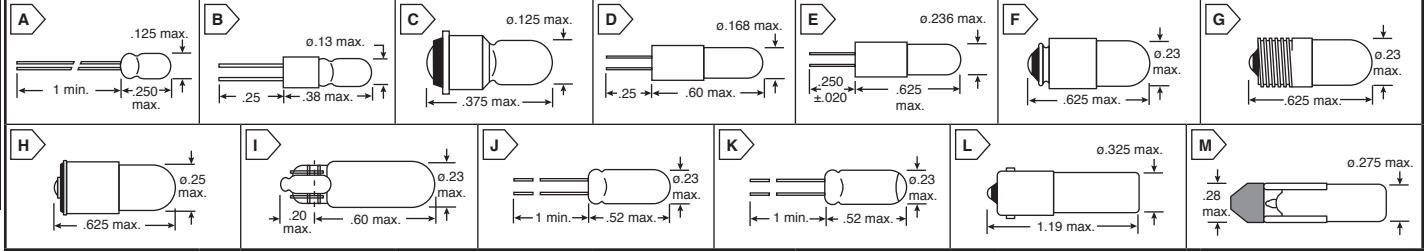


Products may be RoHS compliant. Check mouser.com for RoHS status.

LED Indication

Chicago Miniature

DIMENSIONS: in.



T-3/4 WIRE TERMINAL LAMPS

For quantities greater than listed, call for quote.

Type	MOUSER STOCK NO.	Fig.	Volts	Amps	M.S.C.P.	Life (Hrs.)	Price Each		
							1	10	100
6833	606-CM6833	A	5.0	.060	.050	25,000	1.18	1.04	.91
7153	606-CM7153	A	5.0	.115	.150	40,000	1.23	1.08	.95
7153AS15	606-CM7153AS15	A	5.0	.115	.150	40,000	1.48	1.30	1.14

T-1 BI-PIN BASE (.05" SPACING)

For quantities greater than listed, call for quote.

Type	MOUSER STOCK NO.	Fig.	Volts	Amps	M.S.C.P.	Life (Hrs.)	Price Each		
							1	10	100
7265	606-CM7265	B	5.0	.060	.150	5,000	.68	.60	.53
7715	606-CM7715	B	5.0	.115	.150	40,000	1.50	1.32	1.16
7839	606-CM7839	B	28.0	.024	.150	4,000	1.68	1.48	1.30

T-1 BI-PIN BASE (.100" SPACING)

For quantities greater than listed, call for quote.

Type	MOUSER STOCK NO.	Fig.	Volts	Amps	M.S.C.P.	Life (Hrs.)	1	10	100
8-2402	606-CM8-2402	B	28.0	.024	.150	4,000	6.28	5.44	5.24

T-1 SUB-MIDGET FLANGE BASE

For quantities greater than listed, call for quote.

Type	MOUSER STOCK NO.	Fig.	Volts	Amps	M.S.C.P.	Life (Hrs.)	Price Each		
							1	10	100
682	606-CM682	C	5.0	.060	.030	60,000	1.57	1.38	1.21
685	606-CM685	C	5.0	.060	.050	25,000	1.43	1.26	1.11
718	606-CM718	C	5.0	.115	.150	40,000	1.66	1.46	1.28
6839	606-CM6839	C	28.0	.024	.130	4,000	1.52	1.34	1.18

T-1 WIRE TERMINAL (.145" HEIGHT)

For quantities greater than listed, call for quote.

Type	MOUSER STOCK NO.	Fig.	Volts	Amps	M.S.C.P.	Life (Hrs.)	Price Each		
							1	10	100
7152	606-CM7152	A	5.0	.115	.150	40,000	1.00	.88	.77

T-1 WIRE TERMINAL (.25" HEIGHT)

For quantities greater than listed, call for quote.

Type	MOUSER STOCK NO.	Fig.	Volts	Amps	M.S.C.P.	Life (Hrs.)	Price Each		
							1	10	100
680	606-CM680	A	5.0	.060	.030	60,000	.91	.80	.70
683	606-CM683	A	5.0	.060	.050	25,000	.89	.78	.68
715	606-CM715	A	5.0	.115	.150	40,000	.98	.86	.75
715AS15	606-CM715AS15	A	5.0	.115	.150	40,000	1.14	1.00	.88
7219	606-CM7219	A	12.0	.060	.150	10,000	.41	.37	.323
7220	606-CM7220	A	18.0	.026	.150	10,000	.69	.444	.337
6838	606-CM6838	A	28.0	.024	.150	4,000	1.50	1.32	1.16

T-1 1/4 BI-PIN BASE (.100" SPACING)

For quantities greater than listed, call for quote.

Type	MOUSER STOCK NO.	Fig.	Volts	Amps	M.S.C.P.	Life (Hrs.)	1	10	100
7646	606-CM7646	D	14.0	.080	.500	1,000	1.93	1.70	1.49
7632	606-CM7632	D	28.0	.040	.320	1,000	1.73	1.52	1.33

T-1 3/4 BI-PIN BASE (.125" SPACING)

For quantities greater than listed, call for quote.

Type	MOUSER STOCK NO.	Fig.	Volts	Amps	M.S.C.P.	Life (Hrs.)	Price Each		
							1	10	100
7361	606-CM7361	E	5.0	.060	.050	25,000	.82	.72	.63
7377	606-CM7377	E	6.3	.075	.230	1,000	1.23	1.08	.95
7381	606-CM7381	E	6.3	.200	.400	20,000	.62	.551	.479
7371	606-CM7371	E	12.0	.040	.120	10,000	.89	.78	.68
7373	606-CM7373	E	14.0	.100	.500	10,000	.89	.78	.68
7382	606-CM7382	E	14.0	.080	.300	15,000	.89	.78	.68
7327	606-CM7327	E	28.0	.040	.340	4,000	.98	.86	.75
7387	606-CM7387	E	28.0	.040	.300	7,000	.80	.70	.61

T-1 3/4 MIDGET GROOVE BASE

For quantities greater than listed, call for quote.

Type	MOUSER STOCK NO.	Fig.	Volts	Amps	M.S.C.P.	Life (Hrs.)	Price Each		
							1	10	100
379	606-CM379	F	6.3	.200	.400	20,000	1.16	1.00	.96
386	606-CM386	F	14.0	.080	.300	15,000	.91	.80	.70
334	606-CM334	F	28.0	.040	.340	4,000	.77	.68	.60
388	606-CM388	F	28.0	.040	.300	7,000	.59	.52	.46

T-1 3/4 MIDGET SCREW BASE

For quantities greater than listed, call for quote.

Type	MOUSER STOCK NO.	Fig.	Volts	Amps	M.S.C.P.	Life (Hrs.)	Price Each		
							1	10	100
335	606-CM335	G	28.0	.040	.340	4,000	.80	.70	.61

T-1 3/4 MIDGET FLANGE BASE

For quantities greater than listed, call for quote.

Type	MOUSER STOCK NO.	Fig.	Volts	Amps	M.S.C.P.	Life (Hrs.)	Price Each		
							1	10	100
338	606-CM338	H	2.7	.060	.040	6,000	.61	.54	.47
3150	606-CM3150	H	5.0	.060	.150	5,000	.66	.58	.51
7333	606-CM7333	H	5.0	.060	.050	25,000	.98	.86	.75
7335	606-CM7335	H	5.0	.115	.150	40,000	.98	.86	.75
328	606-CM328	H	6.0	.200	.600	1,000	.97	.608	.486
381	606-CM381	H	6.3	.200	.400	20,000	1.27	1.10	1.06
394	606-CM394	H	12.0	.040	.120	10,000	.82	.72	.63
330	606-CM330	H	14.0	.080	.500	1,500	.55	.48	.42
382	606-CM382	H	14.0	.080	.300	15,000	.80	.70	.61
370	606-CM370	H	18.0	.040	.150	10,000	1.19	1.03	.99
327	606-CM327	H	28.0	.040	.340	4,000	.61	.54	.47
376	606-CM376	H	28.0	.060	.340	25,000	.64	.56	.49
385	606-CM385	H	28.0	.040	.150	10,000	.80	.70	.61
387	606-CM387	H	28.0	.040	.300	7,000	.99	.64	.486
7341	606-CM7341	H	28.0	.065	.650	5,000	.61	.54	.47

T-1 3/4 WEDGE BASE

For quantities greater than listed, call for quote.

Type	MOUSER STOCK NO.	Fig.	Volts	Amps	M.S.C.P.	Life (Hrs.)	Price Each		
							1	10	100
73	606-CM73	I	14.0	.080	.300	15,000	.68	.60	.53
85	606-CM85	I	28.0	.040	.300	7,000	.50	.44	.39

T-1 3/4 WIRE TERMINAL

For quantities greater than listed, call for quote.

Type	MOUSER STOCK NO.	Fig.	Volts	Amps	M.S.C.P.	Life (Hrs.)	Price Each		
							1	10	100
2182	606-CM2182	J	14.0	.080	.300	40,000	.43	.38	.33
2187	606-CM2187	J	28.0	.040	.300	7,000	.45	.40	.35

TL-1 3/4 WIRE TERMINAL, LENS END

For quantities greater than listed, call for quote.

Type	MOUSER STOCK NO.	Fig.	Volts	Amps	Life (Hrs.)	Price Each		
						1	10	100
8-374	606-CM8-374	K	2.5	.350	3,000	.68	.60	.53

T-2 MINIATURE BAYONET BASE

For quantities greater than listed, call for quote.

Type	MOUSER STOCK NO.	Fig.	Volts	Amps	End Foot Candles	Life (Hrs.)	Price Each		
							1	10	100
24MB	606-CM24MB	L	24.0	.073	3000	1,000	1.16	1.02	.89
120MB	606-CM120MB	L	120.0	.025	1200	5,000	1.04	.92	.81

T-2 TELEPHONE SLIDE BASE-TYPE 5 (.915" HEIGHT)

For quantities greater than listed, call for quote.

Type	MOUSER STOCK NO.	Fig.	Volts	Amps	End Foot Candles	Life (Hrs.)	Price Each		
							1	10	100
16ESB	606-CM16ESB	M	16.0	.040	800	7,500	.77	.68	.60

T-2 TELEPHONE SLIDE BASE-TYPE 5 (1.115" HEIGHT)

For quantities greater than listed, call for quote.

Type	MOUSER STOCK NO.	Fig.	Volts	Amps	End Foot Candles	Life (Hrs.)	Price Each		
							1	10	100
6PSB	606-CM6PSB	M	6.0	.140	550	20,000	1.32	1.14	1.10
12PSB	606-CM12PSB	M	12.0	.170	2000	12,000	.98	.86	.75
28PSB	606-CM28PSB	M	28.0	.040	1600	5,000	1.00	.88	.77
48PSB	606-CM48PSB	M	48.0	.053	1800	10,000	1.05	.92	.81
120PSB	606-CM120PSB	M	120.0	.025	1200	5,000	1.30	1.14	1.00

CHICAGO MINIATURE Indicators

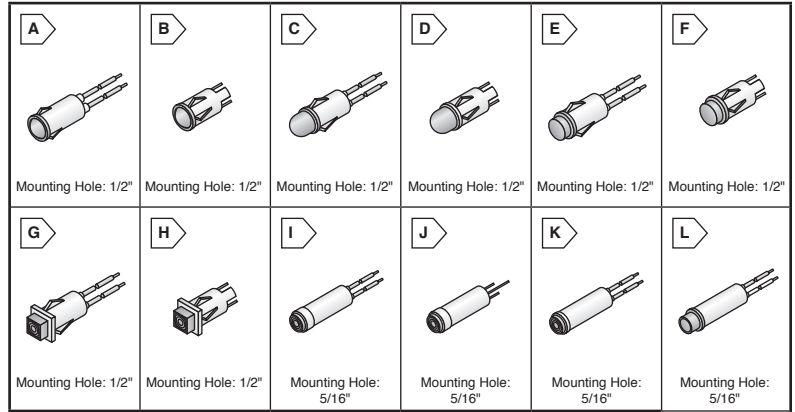
Products may be RoHS compliant. Check mouser.com for RoHS status.

NON-RELA MPABLE INDICATORS

Neon Indicators

For quantities greater than listed, call for quote.

MOUSER STOCK NO.	Fig.	Color	Voltage (VAC)	Termination	Rated Life (hrs.)	Price Each		
						1	25	100
607-1030D1	A	Red	105-125	Black wire	25,000	2.82	2.09	1.77
607-1030D3	A	Amber	105-125	Black wire	25,000	2.71	2.09	1.70
607-1032D5	A	Green	105-125	Black wire	25,000	3.36	3.15	2.58
607-1031D1	A	Red	208-250	Black/Red wire	25,000	2.71	2.09	1.70
607-1030QD1	B	Red	105-125	Quick connect	25,000	2.31	1.94	1.48
607-1030QD3	B	Amber	105-125	Quick connect	25,000	2.35	2.20	1.80
607-1030QD4	B	White	105-125	Quick connect	25,000	2.32	2.18	1.78
607-1032QD5	B	Green	105-125	Quick connect	25,000	3.72	3.47	2.85
607-1050A1	C	Red	105-125	Black wire	25,000	2.71	2.09	1.70
607-1050A2	C	Clear	105-125	Black wire	25,000	2.79	2.15	1.75
607-1050A3	C	Amber	105-125	Black wire	25,000	2.91	2.24	1.82
607-1052A5	C	Green	105-125	Black wire	25,000	3.23	3.02	2.48
607-1051A1	C	Red	208-250	Black/Red wire	25,000	2.71	2.09	1.70
607-1050QA1	D	Red	105-125	Quick connect	25,000	2.35	2.20	1.80
607-1052QA5	D	Green	105-125	Quick connect	25,000	3.61	3.37	2.77
607-1051QA1	D	Red	208-250	Quick connect	25,000	2.35	2.20	1.80
607-1051QA3	D	Amber	208-250	Quick connect	25,000	2.56	2.40	1.96
607-1050C1	E	Red	105-125	Black wire	25,000	2.71	2.09	1.70
607-1050C2	E	Clear	105-125	Black wire	25,000	2.79	2.15	1.75
607-1050C3	E	Amber	105-125	Black wire	25,000	2.71	2.09	1.70
607-1050C4	E	White	105-125	Black wire	25,000	2.91	2.24	1.82
607-1052C5	E	Green	105-125	Black wire	25,000	3.23	3.02	2.48
607-1051C1	E	Red	208-250	Black/Red wire	25,000	2.71	2.09	1.70
607-1051C3	E	Amber	208-250	Black/Red wire	25,000	2.71	2.09	1.70
607-1053C5	E	Green	208-250	Black/Red wire	25,000	3.32	3.10	2.55
607-1050QC1	F	Red	105-125	Quick connect	25,000	2.35	2.20	1.80
607-1050QC2	F	Clear	105-125	Quick connect	25,000	2.35	2.20	1.80
607-1050QC3	F	Amber	105-125	Quick connect	25,000	2.35	2.20	1.80
607-1050QC4	F	White	105-125	Quick connect	25,000	2.35	2.20	1.80
607-1052QC5	F	Green	105-125	Quick connect	25,000	3.56	3.33	2.74
607-1051QC1	F	Red	208-250	Quick connect	25,000	2.35	2.20	1.80
607-1051QC3	F	Amber	208-250	Quick connect	25,000	2.35	2.20	1.80
607-1050N1	G	Red	105-125	Black wire	25,000	2.62	2.46	2.01
607-1052N5	G	Green	105-125	Black wire	25,000	3.42	3.20	2.63
607-1050QN1	H	Red	105-125	Quick connect	25,000	2.83	2.65	2.18
607-1050QN3	H	Amber	105-125	Quick connect	25,000	2.84	2.66	2.18
607-2110A1	I	Red	105-125	Black wire	25,000	2.82	2.18	1.77
607-2110A2	I	Clear	105-125	Black wire	25,000	2.94	2.27	1.84
607-2110A3	I	Amber	105-125	Black wire	25,000	2.85	2.20	1.78
607-2110A4	I	White	105-125	Black wire	25,000	2.71	2.09	1.70
607-2112A5	J	Green	105-125	Black wire	25,000	3.19	2.98	2.45
607-2110QA1	J	Red	105-125	Quick connect	25,000	2.30	2.15	1.77
607-2112QA5	K	Green	105-125	Quick connect	25,000	3.70	3.45	2.84
607-2120A1	K	Red	105-125	Black wire	25,000	3.21	2.47	2.01
607-2120A3	K	Amber	105-125	Black wire	25,000	3.21	2.47	2.01
607-2120A4	K	White	105-125	Black wire	25,000	3.21	2.48	2.01



Neon Indicators (Cont.)

For quantities greater than listed, call for quote.

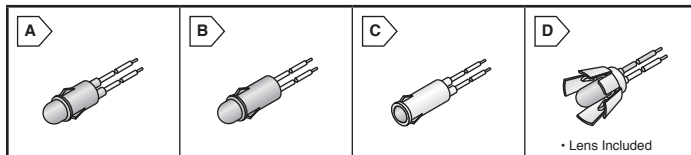
MOUSER STOCK NO.	Fig.	Color	Voltage (VAC)	Termination	Rated Life (hrs.)	Price Each		
						1	25	100
607-2150A1	L	Red	105-125	Black wire	25,000	2.88	2.23	1.81
607-2150A2	L	Clear	105-125	Black wire	25,000	3.02	2.34	1.90
607-2150A3	L	Amber	105-125	Black wire	25,000	2.88	2.23	1.81
607-2152A5	L	Green	105-125	Black wire	25,000	3.74	3.49	2.87
607-2150QA1	M	Red	105-125	Quick connect	25,000	2.44	2.28	1.88
607-2150QA3	M	Amber	105-125	Quick connect	25,000	2.44	2.28	1.88
607-2150QA4	M	White	105-125	Quick connect	25,000	2.64	2.47	2.04
607-2152QA5	M	Green	105-125	Quick connect	25,000	3.95	3.69	3.03
607-2620QK1	N	Red	105-125	Quick connect	25,000	3.09	2.89	2.38
607-2620QK3	N	Amber	105-125	Quick connect	25,000	3.18	2.98	2.45
607-6010M1	O	Red	105-125	Black/Red wire	25,000	4.56	4.26	3.50
607-6010M3	O	Amber	105-125	Black/Red wire	25,000	6.04	5.64	4.64
607-6012M5	O	Green	105-125	Black/Red wire	25,000	5.53	5.17	4.25

Incandescent Indicators

For quantities greater than listed, call for quote.

MOUSER STOCK NO.	Fig.	Color	Voltage (VAC)	Termination	Rated Life (hrs.)	Price Each		
						1	25	100
607-1090A1-12V	C	Red	12VDC	Yellow wire	10,000	2.74	2.57	2.11
607-1090A3-12V	C	Amber	12VDC	Yellow wire	10,000	2.97	2.78	2.28
607-1090A5-12V	C	Green	12VDC	Yellow wire	10,000	2.97	2.78	2.28
607-1090A1-28V	C	Red	28VDC	Purple wire	7,000	2.90	2.72	2.24
607-1090A3-28V	C	Amber	28VDC	Purple wire	7,000	2.97	2.78	2.28
607-1090C1-12V	E	Red	12VDC	Yellow wire	10,000	2.74	2.57	2.11
607-1090C1-28V	E	Red	28VDC	Purple wire	7,000	2.74	2.57	2.11
607-1090QC1-28V	F	Red	28VDC	Quick connect	7,000	2.91	2.72	2.23
607-1090QC3-28V	F	Amber	28VDC	Quick connect	7,000	2.91	2.72	2.23
607-1090QC5-28V	F	Green	28VDC	Quick connect	7,000	3.09	2.89	2.37

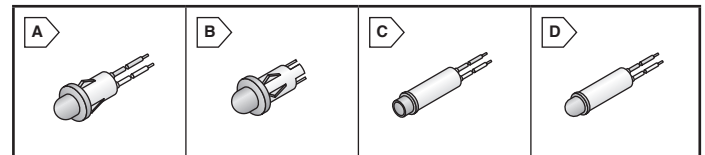
CIRCUIT BOARD PANEL MOUNT LED INDICATORS



For quantities greater than listed, call for quote.

MOUSER STOCK NO.	Fig.	Color	Forward Current (mA) (max.)	Forward Voltage		Lumin. Intensity (mcd) (Typ.)	Rated Cur. (mA)	Peak Wave length	Price Each		
				Typ.	Max.				1	25	100
607-5100H1	A	Red	35	2.0	3.0	30.0	20.0	635	.93	.84	.74
607-5100H1LC	A	Red	7	1.8	2.2	2.0	2.0	635	1.77	1.41	1.22
607-5100H3	A	Amber	35	2.0	3.0	20.0	20.0	608	1.08	.98	.854
607-5100H5	A	Green	30	2.2	3.0	30.0	20.0	562	.97	.876	.772
607-5100H6	A	Blue	50	3.4	3.9	3.0	45.0	470	2.40	1.86	1.51
607-5100H7	A	Yellow	35	2.1	3.0	25.0	20.0	585	.93	.84	.74
607-5100H1/5	A	Rd/Grn	10	2.2	2.8	6.0	20.0	650/565	1.51	1.41	1.38
607-5102H1-12V	A	Red	15	12.0	20.0	4.0	13.0	635	1.30	1.22	1.20
607-5110F1	B	Red	30	2.0	3.0	6.0	10.0	635	1.15	1.04	.915
607-5110F5	B	Green	30	2.2	3.0	12.0	20.0	562	1.15	1.04	.915
607-5110F7	B	Yellow	30	2.1	3.0	20.0	20.0	585	1.20	1.08	.949
607-3990A1	C	Red	30	2.0	3.0	6.0	10.0	635	2.91	2.25	1.83
607-3990A5	C	Green	30	2.2	3.0	12.0	20.0	562	3.13	2.63	2.01
607-5400A1	D	Red	35	2.0	3.0	120.0	20.0	635	1.64	1.54	1.51
607-5400A5	D	Green	35	2.1	2.5	120.0	20.0	555	1.64	1.54	1.51

LED INDICATORS



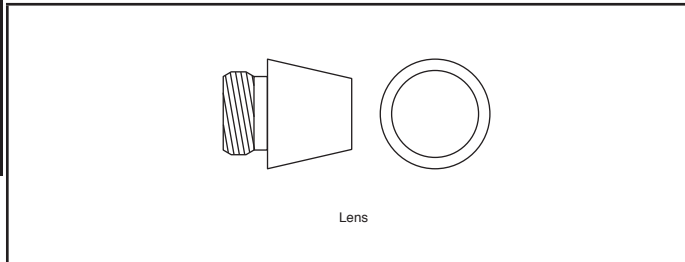
For quantities greater than listed, call for quote.

MOUSER STOCK NO.	Fig.	Color	Voltage (Nom)	Termination	Internal Resis. (Ω)	Mount Hole Sz. (in.)	Price Each		
							1	25	100
607-1091M1-12V	A	Red	12	Red/White wire	390	1/2	3.02	2.83	2.32
607-1091M5-12V	A	Green	12	Red/White wire	390	1/2	3.02	2.83	2.32
607-1091M1-24V	A	Red	24	Red/White wire	1,000	1/2	3.11	2.91	2.39
607-1091M5-24V	A	Green	24	Red/White wire	1,000	1/2	3.02	2.83	2.32
607-1091QM1-12V	B	Red	12	Quick connect	390	1/2	3.19	2.98	2.45
607-1091QM1-24V	B	Red	24	Quick connect	1,000	1/2	3.19	2.98	2.45
607-2191L1-12V	C	Red	12	Red/White wire	390	5/16	3.11	2.91	2.39
607-2191L5-12V	C	Green	12	Red/White wire	390	5/16	3.21	3.00	2.46
607-2191L1-24V	C	Red	24	Red/White wire	1,000	5/16	3.05	2.85	2.34
607-2191L5-24V	C	Green	24	Red/White wire	1,000	5/16	3.21	3.00	2.46
607-2191U5-12V	D	Green	12	Red/White wire	390	5/16	3.05	2.85	2.34
607-2191U7-12V	D	Yellow	12	Red/White wire	390	5/16	3.21	3.00	2.75
607-2191U1-24V	D	Red	24	Red/White wire	1,000	5/16	3.05	2.85	2.34
607-2191U5-24V	D	Green	24	Red/White wire	1,000	5/16	3.05	2.85	2.34
607-2191U7-24V	D	Yellow	24	Red/White wire	1,000	5/16	3.21	3.00	2.46

Products may be RoHS compliant. Check mouser.com for RoHS status.

LED Indication

GEMLITE SUBMIDGET INDICATORS



Lens

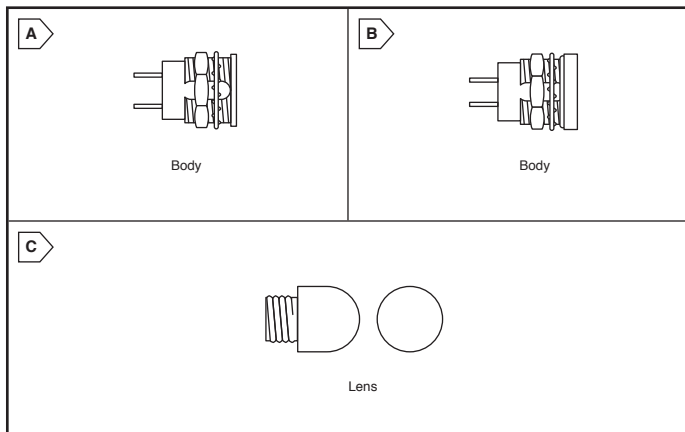
Specifications:

- Mounting hole: .313"
- Mounting centers: .469" min.
- Panel thickness: .218" max.
- Lock washer: nickel plated bronze
- Hex nut: nickel plated brass
- Lens: high temperature lexan
- Lens shank: nickel plated brass
- Housing material: black nickel plated brass
- Electrical rating: up to 30V, up to 1W

For quantities greater than listed, call for quote.

MOUSER STOCK NO.	Description	Price Each		
		1	10	100
606-160A-604G	Translucent green lens for 5160-48, lens	2.00	1.76	1.54
606-160A-604W	Translucent white lens for 5160-48, lens	2.00	1.76	1.54

MIDGET FLANGE RELAMPABLE INDICATORS



Specifications:

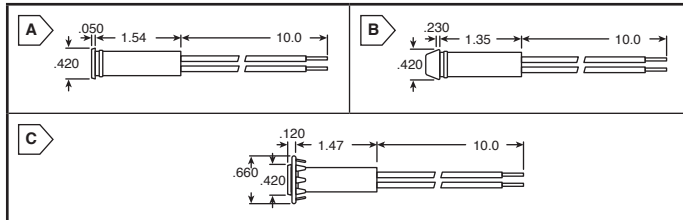
- Mounting hole: .484"
- Mounting centers: .750" min.
- Panel thickness: standard=.265" waterlight=.188"
- Terminals: tin plated brass
- Housing material: black anodized aluminum
- Hex nut/lock washer: chrome treated steel
- O-rings (5139 only): neoprene
- Electrical rating: up to 30V, up to 2W
- Lens: high temperature lexan

For quantities greater than listed, call for quote.

MOUSER STOCK NO.	Fig.	Description	Price Each		
			1	10	100
606-5131-038	A	T-1 3/4 midget flange standard indicator	6.32	5.56	4.88
606-5139-038	B	T-1 3/4 midget flange watertight indicator	6.91	6.08	5.33
606-131A-303R	C	Transparent red lens for 5131-038	3.39	2.98	2.61
606-131A-303A	C	Transparent amber lens for 5131-038	3.39	2.98	2.61
606-131A-303G	C	Transparent green lens for 5131-038	3.39	2.98	2.61
606-131A-304G	C	Translucent green lens for 5131-038	3.39	2.98	2.61

GLO-LITE NEON INDICATORS

DIMENSIONS: in.



Specifications:

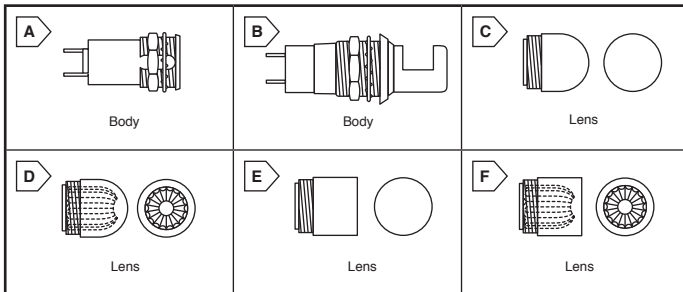
- Mounting hole: 6063 Series - .375"/6073 Series - .500"
- Mounting centers: 6063 Series - .500"/6073 Series - .688"
- Panel thickness: 6063 Series - 1.25"/6073 Series - .078"
- Bezel (6073 only): chrome plated brass
- Wire leads: 22AWG stranded black 105°C PVC
- Electrical: 125VAC, built-in 30KΩ 1/4W resistor
- UL Recognized, CSA Certified

For quantities greater than listed, call for quote.

MOUSER STOCK NO.	Fig.	Color	Description	Price Each		
				1	10	100
606-6063-001-534R	A	Red	Flat face with no bezel	2.59	2.28	2.00
606-6063-001-634R	B	Red	Conical face with no bezel	2.59	2.28	2.00
606-6073-001-534R	C	Red	Flat face with chrome bezel	3.57	3.14	2.75

T-2 AND T-3 1/4 MINIATURE RELAMPABLE INDICATORS

(For use with Bayonet Incandescent and Neon Lamps)



Specifications:

- Mounting hole: .688"
- Mounting centers: .969" min.
- Panel thickness: .406" max.
- Lock washer: chromate treated steel
- Housing material: 5100 Series - glass filled polyester
5200 Series - phenolic
900-200 Series - black anodized aluminum
- Hex nut: zinc plated steel
- Lens (5100 and 5200 Series): high temperature lexan

Body

For quantities greater than listed, call for quote.

MOUSER STOCK NO.	Fig.	Description	Price Each		
			1	10	100
606-5100-822	A	Solder lug terminals, no resistor	6.70	5.90	5.18
606-5100-823	A	Screw type terminals, no resistor	6.70	5.90	5.18
606-5100-824	A	.250" quick connect terminals, no resistor	4.88	4.30	3.77
606-900-200	B	Instrument lite, solder lug terminals	22.38	20.66	20.04

Lenses

For quantities greater than listed, call for quote.

MOUSER STOCK NO.	Fig.	Description	Price Each		
			1	10	100
606-25P-306R	C	Transparent red dome	.39	.34	.30
606-25P-306A	C	Transparent amber dome	.39	.34	.30
606-25P-306G	C	Transparent green dome	.52	.46	.40
606-25P-306C	C	Transparent clear dome	.51	.44	.388
606-25P-307R	C	Translucent red dome	.39	.34	.30
606-25P-307Y	C	Translucent yellow dome	.87	.67	.48
606-25P-307W	C	Translucent white dome	.39	.34	.30
606-25P-326R	D	Transparent red fluted dome	.39	.34	.30
606-25P-326A	D	Transparent amber fluted dome	.39	.34	.30
606-25P-326G	D	Transparent green fluted dome	.42	.36	.29
606-25P-326C	D	Transparent clear fluted dome	.39	.34	.30
606-25P-606R	E	Transparent red cylindrical	.39	.34	.30
606-25P-606G	E	Transparent green cylindrical	.52	.46	.40
606-25P-606C	E	Transparent clear cylindrical	.39	.34	.30
606-25P-607R	E	Translucent red cylindrical	.39	.34	.30
606-25P-607G	E	Translucent green cylindrical	.87	.67	.48
606-25P-607Y	E	Translucent yellow cylindrical	.87	.67	.48
606-25P-607W	E	Translucent white cylindrical	.39	.34	.30
606-25P-626R	F	Transparent red fluted cylindrical	.39	.34	.30
606-25P-626A	F	Transparent amber fluted cylindrical	.39	.34	.30
606-25P-626C	F	Transparent clear fluted cylindrical	.39	.34	.30

CREE Thru-Hole LEDs

RoHS Compliant This page of product is RoHS compliant.



LED Indication

Cree



HIGH BRIGHTNESS 4MM OVAL LEDs

Features:

- C4SMF: Matched 105x50-degree radiation pattern
- C4SMK: Matched 115x65-degree radiation pattern

Applications:

- Full-color digital signs

For quantities greater than listed, call for quote.

MOUSER STOCK NO.	Cree Part No.	Fig.	Color	Dominant Wavelength (nm)			Luminous Intensity (mcd)			Forward Voltage (V) (Typ.)	Forward Current (mA)	Angle (°)	Price Each		
				Min.	Typ.	Max.	Min.	Typ.	Max.				1	10	100
941-C4SMFRJSC0W0BB2	C4SMF-RJS-CT0W0BB2	A	Red	619	621	624	1100	1900	4180	2.1	50	100/45	.20	.187	.164
941-C4SMKJGJSC0W0792	C4SMK-GJS-CT0W0792	A	Green	520	527	535	1100	2900	4180	3.4	35	115/65	.28	.264	.231
941-C4SMFGJSC0V0Y0792	C4SMF-GJS-CV0Y0792	A	Green	520	527	535	2130	4000	8200	3.4	35	105/50	.28	.264	.231
941-C4SMFBJSC0R0U0352	C4SMF-BJS-CR0U0352	A	Blue	465	470	475	550	1000	2130	3.4	35	105/50	.26	.24	.21
941-C4SMKBJSC0Q0T0352	C4SMK-BJS-CQ0T0352	A	Blue	460	470	475	390	780	1520	3.2	35	115/65	.28	.264	.231

HIGH BRIGHTNESS 5MM ROUND LEDs

Applications:

- Traffic arrow board
- Traffic message board
- Transportation

◆ With Standoff

For quantities greater than listed, call for quote.

MOUSER STOCK NO.	Cree Part No.	Fig.	Color	Dominant Wavelength (nm)			Luminous Intensity (mcd)			Forward Voltage (V) (Typ.)	Peak Forward Current (mA)	Angle (°)	Price Each		
				Min.	Typ.	Max.	Min.	Typ.	Max.				1	10	100
◆ 941-C503BRBNCW0Z0AA2	C503B-RBN-CW0Z0AA2	B	Red	618	624	630	3000	5000	12000	2.1	50	23	.19	.18	.157
◆ 941-C503BRBSCW0Z0AA2	C503B-RBS-CW0Z0AA2	B	Red	618	624	630	3000	5000	12000	2.1	50	23	.19	.18	.157
◆ 941-C503BRRCW0Z0AA2	C503B-RCN-CW0Z0AA2	B	Red	618	624	630	3000	5100	12000	2.1	50	30	.19	.18	.157
◆ 941-C503BRRCW0Z0AA2	C503B-RCS-CW0Z0AA2	B	Red	618	624	630	3000	5100	12000	2.1	50	30	.19	.18	.157
◆ 941-C503BRANCY0B0AA2	C503B-RAN-CY0B0AA2	B	Red	618	624	630	5860	12000	23500	2.1	50	15	.19	.18	.157
◆ 941-C503BRASCY0B0AA2	C503B-RAS-CY0B0AA2	B	Red	618	624	630	5860	12000	23500	2.1	50	15	.19	.18	.157
◆ 941-C503BACNCY252030	C503B-ACN-CY0Z0252-030	B	Amber	584	591	596	5860	6000	12000	2.1	50	30	.19	.18	.157
◆ 941-C503BACSCY252030	C503B-ACS-CY0Z0252-030	B	Amber	584	591	596	5860	6000	12000	2.1	50	30	.19	.18	.157
◆ 941-C503BAANCA252015	C503B-AAN-CA0C0252-015	B	Amber	584	591	596	12000	15000	32900	2.1	50	15	.19	.18	.157
◆ 941-C503BAASCA252015	C503B-AAS-CA0C0252-015	B	Amber	584	591	596	12000	15000	32900	2.1	50	15	.19	.18	.157
◆ 941-C503BGCNCY0C0792	C503B-GCN-CY0C0792	B	Green	520	527	535	5860	12500	32900	3.2	30	30	.31	.293	.256
◆ 941-C503BGCSCY0C0792	C503B-GCS-CY0C0792	B	Green	520	527	535	5860	12500	32900	3.2	30	30	.31	.293	.256
◆ 941-C503BGANCB0F0792	C503B-GAN-CB0F0792	B	Green	520	527	535	16800	34000	90500	3.2	30	15	.31	.293	.256
◆ 941-C503BGASCB0F0792	C503B-GAS-CB0F0792	B	Green	520	527	535	16800	34000	90500	3.2	30	15	.31	.293	.256
◆ 941-C503BBCNCV0Z0462	C503B-BCN-CV0Z0462	B	Blue	465	470	480	2130	4100	12000	3.2	30	30	.27	.253	.221
◆ 941-C503BBCSCV0Z0462	C503B-BCS-CV0Z0462	B	Blue	465	470	480	2130	4100	12000	3.2	30	30	.27	.253	.221
◆ 941-C503BBANCY0C0462	C503B-BAN-CY0C0462	B	Blue	465	470	480	5860	11000	32900	3.2	30	15	.27	.252	.22
◆ 941-C503BBASCY0C0462	C503B-BAS-CY0C0462	B	Blue	465	470	480	5860	11000	32900	3.2	30	15	.27	.252	.22

5MM ROUND WHITE LEDS

Applications:

- Portable lighting
- Gaming
- Landscape lighting

◆ With Standoff

For quantities greater than listed, call for quote.

MOUSER STOCK NO.	Cree Part No.	Fig.	Color	CCT (K)		Luminous Intensity (mcd)			Forward Voltage (V) (Typ.)	Forward Current (mA)	Angle (°)	Price Each		
				Min.	Typ.	Min.	Typ.	Max.				1	10	100
◆ 941-C513AMSNCV0Y0132	C513A-MSN-CV0Y0132	C	White	2500	2800	2130	4500	8200	3.2	30	55	.31	.288	.252
◆ 941-C513AMSSCV0Y0132	C513A-MSS-CV0Y0132	C	White	2500	2800	2130	4500	8200	3.2	30	55	.31	.288	.252
◆ 941-C513AWSNCW0Z0152	C513A-WSN-CW0Z0152	C	White	4600	9000	3000	6800	12000	3.2	30	55	.31	.288	.252
◆ 941-C513AWSSCV0Y0152	C513A-WSS-CV0Y0152	C	White	4600	9000	2130	6800	8200	3.2	30	55	.31	.288	.252
◆ 941-C503BWANCBA152	C503B-WAN-CBaDa152	B	White	4600	6800	14400	25000	39500	3.2	25	15	.22	.203	.187
◆ 941-C503CWANCBAD152	C503C-WAN-CBaDb152	B	White	4600	9000	16800	35000	46100	3.2	30	15	.31	.288	.252
◆ 941-C503CWASCBAD152	C503C-WAS-CBaDb152	B	White	4600	9000	16800	35000	46100	3.2	30	15	.31	.288	.252
◆ 941-C503DWANCBDB152	C503D-WAN-CBdBd152	B	White	4600	9000	20150	30000	46100	3.2	30	15	.31	.288	.252

HIGH BRIGHTNESS 5MM OVAL LEDS

Features:

- 5SM Series: Matched 100x40-degree radiation pattern
- 566 Series: Matched 70x35-degree radiation pattern

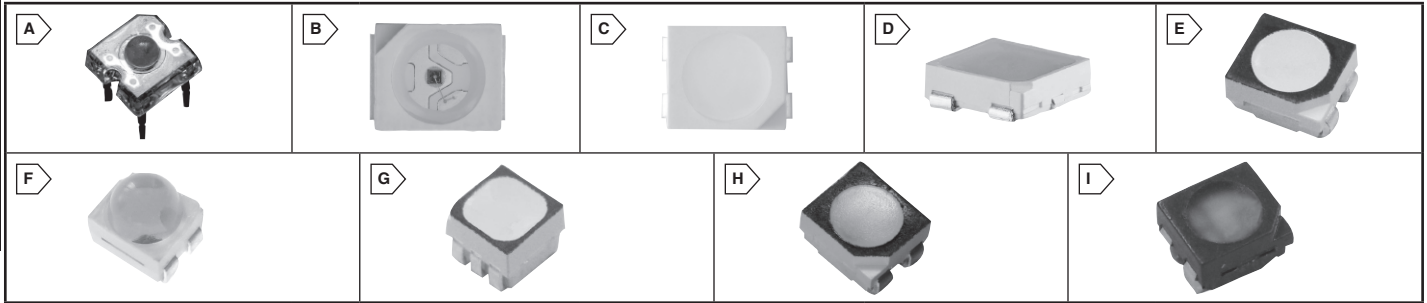
Applications:

- Full-color digital signs

◆ With Standoff

For quantities greater than listed, call for quote.

MOUSER STOCK NO.	Cree Part No.	Fig.	Color	Dominant Wavelength (nm)			Luminous Intensity (mcd)			Forward Voltage (V) (Typ.)	Forward Current (mA)	Angle (°)	Price Each		
				Min.	Typ.	Max.	Min.	Typ.	Max.				1	10	100
◆ 941-C55MFBJSC0R0U0352	C55MF-BJS-CR0U0352	D	Blue	465	470	475	550	1100	2130	3.4	35	100/40	.27	.252	.22
◆ 941-C566CBFNC0W0352	C566C-BFN-CS0W0352	E	Blue	465	470	475	770	1500	4180	3.4	35	70/35	.30	.281	.246
◆ 941-C566CBFSC0W0352	C566C-BFS-CS0W0352	E	Blue	465	470	475	770	1500	4180	3.4	35	70/35	.30	.281	.246
◆ 941-C55SMFGJSC0V0Y0792	C55MF-GJS-CV0Y0792	D	Green	520	527	535	2130	4400	8200	3.4	35	100/40	.30	.281	.246
◆ 941-C566CGFSC0V0Z0792	C566C-GFS-CV0Z0792	E	Green	520	527	535	2130	5200	12000	3.4	35	70/35	.33	.307	.269
◆ 941-C55MFAJSC0V0252	C55MF-AJS-CS0V0252	D	Amber	584	591	596	770	2100	3000	2.1	50	100/40	.20	.192	.168
◆ 941-C566CAFNC0U0252	C566C-AFN-CU0U0252	E	Amber	584	591	596	1520	2500	4180	2.1	50	70/35	.23	.216	.189
◆ 941-C566CAFSC0U0252	C566C-AFS-CU0U0252	E	Amber	584	591	596	1520	2500	4180	2.1	50	70/35	.23	.216	.189
◆ 941-C566CRFNC0W0BB2	C566C-RFN-CT0W0BB2	E	Red	619	621	624	770	2200	4180	2.1	50	70/35	.23	.214	.187
◆ 941-C566CRFSC0W0BB2	C566C-RFS-CT0W0BB2	E	Red	619	621	624	770	2200	4180	2.1	50	70/35	.23	.214	.187
◆ 941-C55MFRJSC0T0W0BB2	C55MF-RJS-CT0W0BB2	D	Red	619	621	624	1100	2200	4180	2.1	50	100/40	.20	.192	.168



HIGH BRIGHTNESS P4 LEDs

For quantities greater than listed, call for quote.

MOUSER STOCK NO.	Cree Part No.	Fig.	Color	Dominant Wavelength (nm)			Luminous flux (lm)			Forward Voltage (V) (typ)	Forward Current (mA)	Angle (°)	Price Each		
				Min.	Typ.	Max.	Min.	Typ.	Max.				1	10	100
941-CP41BRDSCLOP0EE4	CP41B-RDS-CL0P0EE4	A	Red	620	628	637	4.4	7	11	2.5	70	40	.19	.176	.162
941-CP41BADSCLOP0264	CP41B-ADS-CL0P0264	A	Amber	584	591	599	4.4	6.5	11	2.5	70	40	.19	.176	.162
941-CP41BAFSCM0Q0264	CP41B-AFS-CM0Q0264	A	Amber	584	591	599	5.5	7	13.2	2.5	70	70	.19	.176	.162
941-CP41BAHSCM0Q0264	CP41B-AHS-CM0Q0264	A	Amber	584	591	599	5.5	8	13.2	2.5	70	100	.19	.176	.162
941-CP41BGFSCM0Q0694	CP41B-GFS-CM0Q0694	A	Green	515	527	535	5.5	6.5	13.2	3.6	35	70	.34	.314	.289
941-CP41BBFSCF0H0354	CP41B-BFS-CF0H0354	A	Blue	462	470	475	1.65	2.5	3.3	3.6	35	70	.32	.296	.272

HIGH BRIGHTNESS WHITE P4 LEDs

For quantities greater than listed, call for quote.

MOUSER STOCK NO.	Cree Part No.	Fig.	Color	CCT (K)		Luminous flux (lm)			Forward Voltage (V) (typ)	Forward Current (mA)	Angle (°)	Price Each		
				Min.	Typ.	Min.	Typ.	Max.				1	10	100
941-CP41BWESCKOP0154	CP41B-WES-CK0P0154	A	White	4600	9000	3.85	7	11	3.6	35	60	.34	.314	.289
941-CP41BWGSCKOP0154	CP41B-WGS-CK0P0154	A	White	4600	9000	3.85	7	11	3.6	35	90	.34	.314	.289

HIGH BRIGHTNESS SURFACE MOUNT WHITE LEDs

For quantities greater than listed, call for quote.

MOUSER STOCK NO.	Cree Part No.	Fig.	Package	Color	CCT (K)		Face Color	Luminous Intensity			Forward Voltage (V) (typ)	Forward Current (mA)	Angle (°)	Price Each		
					Min.	Typ.		Min.	Typ.	Max.				1	10	100
941-CLM3CMKWCAWB133	CLM3C-MKW-CWAb133	B	PLCC2	Warm White	2500	3200	White	1120mcd	1560mcd	2800mcd	3.2	25	120	.26	.24	.21
941-CLA1AMKWCWBYA133	CLA1A-MKW -CWbYa133	C	PLCC4	Warm White	2500	3200	White	1400mcd	2500mcd	3550mcd	3.6	35	120	.23	.216	.189
941-CLP6BMKWCBOE0133	CLP6B-MKW-CB0E0133	B	PLCC6 (3 die)	Warm White	2500	3200	White	7100mcd	12000mcd	18000mcd	3.8	3 x 50	120	.72	.667	.584
941-CLA1BMKWXD0F0E53	CLA1B-MKW-XD0F0E53	D	PLCC-4	Warm White	2500	4700	White	6.3lm	8.6lm	13.9lm	3.2	30	120	.29	.276	.241
941-CLA1BMKWXD0F0E63	CLA1B-MKW-XD0F0E63	D	PLCC-4	Warm White	2500	4700	White	6.3lm	8.6lm	13.9lm	3.2	30	120	.29	.276	.241
941-CLA1BMKWXD0F0E73	CLA1B-MKW-XD0F0E73	D	PLCC-4	Warm White	2500	4700	White	6.3lm	8.6lm	13.9lm	3.2	30	120	.29	.276	.241
941-CLA1BMKWXD0F0E83	CLA1B-MKW-XD0F0E83	D	PLCC-4	Warm White	2500	4700	White	6.3lm	8.6lm	13.9lm	3.2	30	120	.29	.276	.241
941-CLM3AWKWCWAXA153	CLM3A-WKW-CWAXa153	B	PLCC2	White	4600	5500	White	1120mcd	1600mcd	2240mcd	3.2	25	120	.23	.216	.189
941-CLA1AWKBCWBYA153	CLA1A-WKB -CWbYa153	E	PLCC4	White	4600	6800	Black	1400mcd	2600mcd	3550mcd	3.6	35	120	.23	.216	.189
941-CLM3CWWKWCWBYA153	CLM3C-WKW-CWbYa153	B	PLCC2	White	4600	6800	White	1400mcd	1850mcd	3550mcd	3.2	25	120	.26	.24	.21
941-CLA1AWKWCXAYB153	CLA1A-WKW -CXaYb153	C	PLCC4	White	4600	6800	White	1800mcd	2800mcd	4500mcd	3.6	35	120	.23	.216	.189
941-CLA2AWKWCXZ0153	CLA2A-WKW -CXbZ0153	C	PLCC4 (2 die)	White	4600	9000	White	2240mcd	3800mcd	5600mcd	3.2	2 x 25	120	.37	.348	.304
941-CLA1AWKWCXAYB453	CLA1A-WKW -CXaYb453	C	PLCC-4	White	4600	6800	White	1800mcd	2800mcd	4500mcd	3.6	30	120	.24	.228	.199
941-CLA1BWKWXD0F0E13	CLA1B-WKW-XD0F0E13	D	PLCC-4	Cool White	4700	8300	White	6.3lm	9.6lm	13.9lm	3.2	30	120	.29	.264	.231
941-CLA1BWKWXD0F0E23	CLA1B-WKW-XD0F0E23	D	PLCC-4	Cool White	4700	8300	White	6.3lm	9.6lm	13.9lm	3.2	30	120	.28	.264	.231
941-CLA1BWKWXD0F0E33	CLA1B-WKW-XD0F0E33	D	PLCC-4	Cool White	4700	8300	White	6.3lm	9.6lm	13.9lm	3.2	30	120	.28	.264	.231

HIGH BRIGHTNESS SURFACE MOUNT COLOR LEDs

For quantities greater than listed, call for quote.

MOUSER STOCK NO.	Cree Part No.	Fig.	Package	Color	Dominant Wavelength (nm)			Face Color	Luminous Intensity (mcd)			Forward Voltage (V) (typ)	Forward Current (mA)	Angle (°)	Price Each		
					Min.	Typ.	Max.		Min.	Typ.	Max.				1	10	100
941-CLM4BRKWCWAXBA3	CLM4B-RKW-CWAbA3	C	PLCC4	Red	618	624	630	White	1120	1600	2800	2.4	70	120	.21	.199	.174
941-CLM4BAKBCWAXB263	CLM4B-AKB-CWAb263	E	PLCC4	Amber	584	591	599	Black	1120	1500	2800	2.4	70	120	.22	.204	.178
941-CLM4BAKWCWAXB263	CLM4B-AKW-CWAb263	C	PLCC4	Amber	584	591	599	White	1120	1500	2800	2.4	70	120	.22	.204	.178
941-CLM2BAEWCYBB0263	CLM2B-AEW-CYbB0263	F	PLCC4	Amber	584	591	599	White	2800	5000	9000	2.5	70	60	.29	.276	.241
941-CLM4BGKWCWBYA693	CLM4B-GKW-CWbYa693	C	PLCC4	Green	515	527	535	White	1400	1800	3550	3.6	30	120	.27	.252	.22
941-CLM4BBKWCCTbVA363	CLM4B-BKW-CTbVa363	C	PLCC4	Blue	460	470	480	White	355	550	900	3.6	30	120	.24	.228	.199

TRI-COLOR RGB SMD LED

These high performance tricolor SMT LEDs are designed to work in a wide range of applications. A wide viewing angle and high brightness make these LEDs suitable for outdoor and full color video signage applications.

For quantities greater than listed, call for quote.

MOUSER STOCK NO.	Cree Part No.	Fig.	Package	Color	Dominant Wavelength (nm)			Face Color	Luminous Intensity (mcd)			Forward Voltage (V) (typ)	Forward Current (mA)	Angle (°)	Price Each		
					Min	Typ	Max		Min	Typ	Max				1	10	100
941-CLX6AFKBC1P1G1B	CLX6A-FKB-CK1P1G1BB7S4T3	G	PLCC-6	Red	619	-	624	Black	450	-	1120	2	50	120	.77	.72	.63
				Green	520	-	540		900	-	2240	3.2	35				
				Blue	460	-	480		224	-	560	3.2	35				
941-X6AFKBCJNNRF7A3	CLX6A-FKB-CJNNRFJBB7a363	G	PLCC6 (3 die)	Red	619	470	624	Black	450	400	1120	3.2	50	120	.59	.552	.483
				Green	520	527	540		900	1400	2240	3.2	35				
				Blue	460	624	480		224	700	560	2	35				
941-V1AFKBCMHKPEH7A3	CLV1A-FKB-CHMKPEHBB7a363	H	PLCC4 (3 die)	Red	619	620	624	Black	450	700	1120	2	50	120	.51	.48	.42
				Green	520	527	527		900	1400	2240	3.2	25				
				Blue	460	470	480		224	400	560	3.2	25				
941-VBAFKACAEDH8B7A3	CLVBA-FKA-CAEDH8BBB7a363	I	PLCC4 (3 die)	Red	619	620	624	Black	224	280	560	2	50	120	.54	.504	.441
				Green	520	527	540		280	500	900	3.2	25				
				Blue	460	470	480		90	160	335	3.2	25				

DIALIGHT SMD LEDs



This page of product is RoHS compliant.

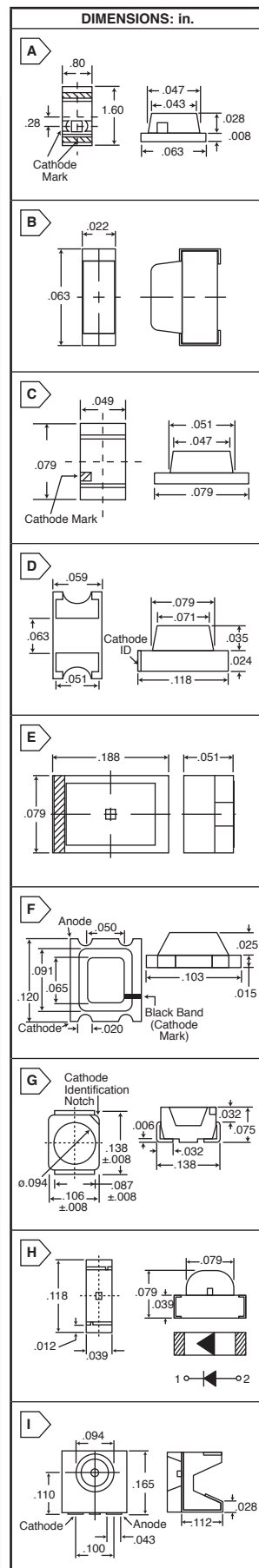
Dialight



SURFACE MOUNT LED - MicroLED® SERIES

For quantities greater than listed, call for quote.

MOUSER STOCK NO.	Dialight Part No.	Fig.	Size	Color	Wavelength (nm)	Luminous Intensity (mcd)	Voltage (VDC)	Viewing Angle(°)	Price Each			
									1	10	100	1000
645-597-5112-407F	597-5112-407F	A	0603	Red	660	11.7	2.3	152	.70	.447	.293	.231
645-598-8010-107F	598-8010-107F	A	0603	Red	642	80	2.4	140	.45	.264	.106	.083
645-598-8020-107F	598-8020-107F	A	0603	Reddish Orange	630	200	2.4	140	.50	.296	.118	.093
645-598-8030-107F	598-8030-107F	A	0603	Orange	610	150	2.4	140	.53	.308	.168	.134
645-598-8040-107F	598-8040-107F	A	0603	Yellow	595	160	2.2	140	.50	.296	.118	.093
645-598-8050-107F	598-8050-107F	A	0603	Yellow	590	160	2.4	140	.50	.296	.118	.093
645-598-8060-107F	598-8060-107F	A	0603	Yellow Green	575	60	2.4	140	.45	.264	.106	.083
645-598-8070-107F	598-8070-107F	A	0603	Yellowish Green	570	40	2.4	140	.45	.264	.106	.083
645-598-8081-107F	598-8081-107F	A	0603	Green	525	400	3.5	140	.73	.47	.308	.243
645-598-8091-107F	598-8091-107F	A	0603	Blue	475	160	3.5	140	.68	.442	.292	.226
645-597-3901-830F	597-3901-830F	-	0603	White	---	240	3.4	130	.72	.464	.304	.24
645-597-2003-507F	597-2003-507F	B	0605	Red	630	40	2.2	135	.81	.522	.342	.27
645-597-2033-507F	597-2033-507F	B	0605	Red	620	63	2.2	135	.81	.522	.342	.27
645-597-2203-507F	597-2203-507F	B	0605	Orange	605	100	2.2	135	.81	.522	.342	.27
645-597-2403-507F	597-2403-507F	B	0605	Yellow	590	63	2.0	135	.90	.58	.38	.30
645-597-2503-507F	597-2503-507F	B	0605	Yellow Green	572	25	2.2	135	.81	.522	.342	.27
645-597-2603-507F	597-2603-507F	B	0605	Blue	470	140	3.2	140	2.59	1.70	1.33	1.02
645-597-2903-507F	597-2903-507F	B	0605	White	---	170	3.1	150	1.68	1.05	.84	.588
645-597-5111-407F	597-5111-407F	C	0805	Red	660	11.7	2.3	140	.75	.481	.315	.249
645-598-8110-107F	598-8110-107F	C	0805	Red	642	80	2.4	140	.42	.248	.099	.078
645-598-8120-107F	598-8120-107F	C	0805	Reddish Orange	630	200	2.4	140	.45	.264	.106	.083
645-598-8140-107F	598-8140-107F	C	0805	Yellow	595	160	2.4	140	.45	.264	.106	.083
645-597-3222-407F	597-3222-407F	C	0805	Yellow	594	65	2.4	156	1.46	.91	.728	.51
645-598-8150-107F	598-8150-107F	C	0805	Yellow	590	160	2.4	140	.45	.264	.106	.083
645-598-8160-107F	598-8160-107F	C	0805	Yellow Green	575	60	2.4	140	.42	.248	.099	.078
645-598-8170-107F	598-8170-107F	C	0805	Yellowish Green	570	40	2.4	140	.42	.248	.099	.078
645-598-8130-107F	598-8130-107F	C	0805	Orange	610	150	2.4	140	.53	.308	.168	.134
645-597-3212-407F	597-3212-407F	C	0805	Orange	609	65	2.4	156	1.01	.63	.504	.353
645-597-5311-407F	597-5311-407F	C	0805	Green	560	6.4	2.8	140	.75	.481	.315	.249
645-598-8181-107F	598-8181-107F	C	0805	Green	525	400	3.5	140	.73	.47	.308	.243
645-598-8191-107F	598-8191-107F	C	0805	Blue	475	160	3.5	140	.55	.357	.237	.183
645-597-3111-407F	597-3111-407F	D	1206	Red	660	17	2.2	70	.75	.481	.315	.249
645-598-8210-107F	598-8210-107F	D	1206	Red	640	80	2.4	140	.46	.272	.109	.085
645-597-6001-607F	597-6001-607F	D	1206	Red	639	280	2.4	70	.72	.464	.304	.24
645-598-8220-107F	598-8220-107F	D	1206	Reddish Orange	630	200	2.4	140	.49	.288	.115	.09
645-598-8230-107F	598-8230-107F	D	1206	Orange	610	150	2.4	140	.53	.308	.168	.134
645-597-6201-607F	597-6201-607F	D	1206	Orange	611	450	2.4	70	.72	.464	.304	.24
645-598-8240-107F	598-8240-107F	D	1206	Yellow	595	160	2.4	140	.46	.272	.109	.085
645-598-8250-107F	598-8250-107F	D	1206	Yellow	590	160	2.4	140	.46	.272	.109	.085
645-597-6401-607F	597-6401-607F	D	1206	Yellow	598	450	2.4	70	.72	.464	.304	.24
645-597-3401-402F	597-3401-402F	D	1206	Yellow	580	6	2.5	70	.63	.409	.271	.209
645-598-8260-107F	598-8260-107F	D	1206	Yellow Green	575	60	2.4	140	.46	.272	.109	.085
645-597-6501-607F	597-6501-607F	D	1206	Yellow Green	574	180	2.4	70	.72	.464	.304	.24
645-598-8270-107F	598-8270-107F	D	1206	Yellowish Green	570	40	2.4	140	.46	.272	.109	.085
645-597-3311-407F	597-3311-407F	D	1206	Green	560	7.5	2.5	70	.75	.481	.315	.249
645-597-6301-607F	597-6301-607F	D	1206	Green	530	710	3.8	70	1.84	1.15	.92	.644
645-598-8281-107F	598-8281-107F	D	1206	Green	525	400	3.5	140	.73	.47	.308	.243
645-598-8291-107F	598-8291-107F	D	1206	Blue	475	160	3.5	140	.55	.357	.237	.183
645-597-6601-607F	597-6601-607F	D	1206	Blue	468	180	3.8	70	.90	.58	.38	.30
645-597-6901-607F	597-6901-607F	D	1206	White	---	70	3	70	.81	.522	.342	.27
645-597-3002-507F	597-3002-507F	E	1208	Red	630	160	2.7	110	.81	.522	.342	.27
645-597-3021-507F	597-3021-507F	E	1208	Red	653	6.3	2	110	.50	.325	.215	.166
645-597-3032-507F	597-3032-507F	E	1208	Red	620	250	2.7	110	.81	.522	.342	.27
645-597-3111-507F	597-3111-507F	E	1208	Red	662	16	1.75	110	.61	.396	.262	.203
645-597-2211-607F	597-2211-607F	E	1208	Orange	605	180	2.4	130	1.60	1.00	.80	.56
645-597-3202-507F	597-3202-507F	E	1208	Orange	605	400	2.7	110	.81	.522	.342	.27
645-597-3402-507F	597-3402-507F	E	1208	Yellow	590	400	2.7	110	.81	.522	.342	.27
645-597-2222-607F	597-2222-607F	E	1208	Yellow	589	180	2.4	130	3.16	2.07	1.62	1.24
645-597-3301-507F	597-3301-507F	E	1208	Green	573	25	2.2	110	.50	.325	.215	.166
645-597-3401-507F	597-3401-507F	E	1208	Yellow	588	6.3	2.1	110	.61	.396	.262	.203
645-597-2501-607F	597-2501-607F	E	1208	Green	572	71	2.4	130	1.09	.696	.456	.36
645-597-3312-507F	597-3312-507F	E	1208	Green	560	36	2.5	110	.81	.522	.342	.27
645-597-2601-607F	597-2601-607F	E	1208	Green	525	280	3.6	130	1.89	1.24	.972	.742
645-597-3322-507F	597-3322-507F	E	1208	Green	525	360	4	110	3.84	2.69	2.30	1.70
645-597-3602-507F	597-3602-507F	E	1208	Blue	479	100	4.2	110	3.30	2.31	1.98	1.46
645-597-2901-607F	597-2901-607F	E	1208	Blue	470	180	3.8	130	2.94	1.93	1.51	1.16
645-597-3902-507F	597-3902-507F	E	1208	White	---	900	4.3	110	3.48	2.44	2.09	1.54
645-597-3111-102F	597-3111-102F	F	1210	Red	660	8	2.6	170	1.27	.795	.636	.445
645-597-3001-102F	597-3001-102F	F	1210	Reddish Orange	630	4	2.6	170	1.01	.63	.504	.353
645-597-3211-102F	597-3211-107F	F	1210	Orange	610	8	2.8	170	1.00	.641	.42	.331
645-597-3401-102F	597-3401-102F	F	1210	Yellow	585	8	2.8	160	1.03	.643	.514	.36
645-597-3301-102F	597-3301-107F	F	1210	Green	565	12	2.6	170	1.25	.78	.624	.437
645-597-3001-207F	597-3001-207F	G	PLCC-2	Red	635	6	2.6	150	.90	.574	.376	.297
645-597-3121-207F	597-3121-207F	G	PLCC-2	Red	645	35.5	1.75	120	.81	.522	.342	.27
645-597-3301-202F	597-3301-202F	G	PLCC-2	Green	565	9.4	2.6	120	.90	.574	.376	.297
645-597-3401-202F	597-3401-202F	G	PLCC-2	Yellow	586	4	2.6	120	.90	.574	.376	.297
645-597-3601-207F	597-3601-207F	G	PLCC-2	Blue	465	11	3.5	120	2.36	1.55	1.21	.925
645-597-2111-407F	597-2111-407F	H	RA	Red	660	12.4	2.3	130	.80	.51	.334	.264
645-597-2201-407F	597-2201-407F	H	RA	Orange	605	3	2.8	130	.80	.51	.334	.264
645-597-2401-407F	597-2401-407F	H	RA	Yellow	580	3	2.8	130	.79	.51	.334	.264
645-597-2311-402F	597-2311-402F	H	RA	Green	560	5.2	2.8	130	.80	.51	.334	.264
645-597-2001-213F	597-2001-213F	I	RA	Red	635	32	2.6	120	.80	.51	.334	.264
645-597-2401-213F	597-2401-213F	I	RA	Yellow	586	32	2.6	120	.74	.478	.316	.244
645-597-2301-213F	597-2301-213F	I	RA	Green	565	32	2.6	120	.80	.51	.334	.264



DIALIGHT LED Panel Mount Indicators and SMD LEDs

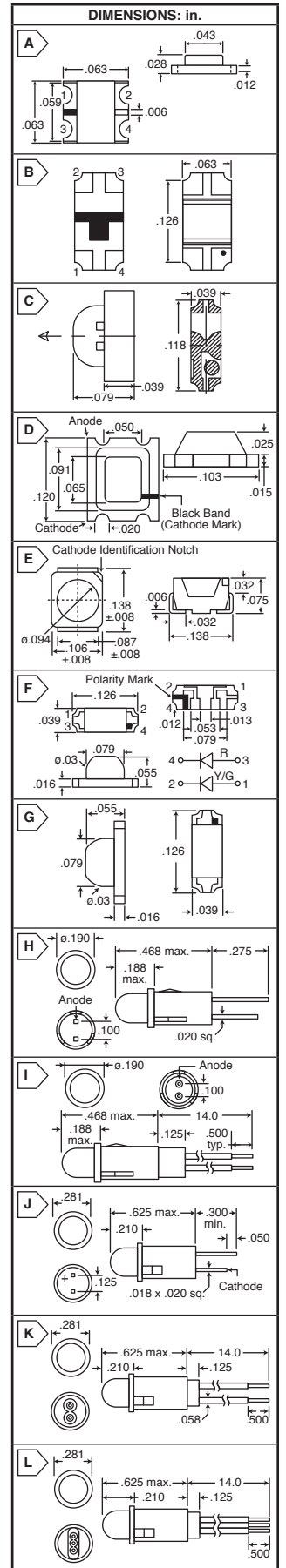
RoHS Compliant This page of product is RoHS compliant.



Dialight LED Indication

BI / MULTI - COLOR LEDs

MOUSER STOCK NO.	Dialight Part No.	Fig.	Size	Color	Wavelength (nm)	Luminous Intensity (Max)	Voltage (Max)	Viewing Angle	Price Each					
									1	10	100	1000		
Bi-Color and Multi Color LEDs														
645-598-8410-207F	598-8410-207CF	A	0606	Red/Yellowish Green	645/570	80/50	2.4	140	.52	.304	.175	.137		
645-598-8460-207F	598-8460-207CF	A	0606	Yellow/Red	595/645	150/60	2.4	140	.52	.304	.175	.137		
645-598-8440-207F	598-8440-207CF	A	0606	Yellow/Green	595/575	150/65	2.4	140	.52	.304	.175	.137		
645-598-8450-207F	598-8450-207CF	A	0606	Yellow/Green	592/530	150/140	2.4	140	.90	.574	.376	.297		
645-598-8710-307F	598-8710-307F	A	0606	Red/Green/Blue	645/530/475	80/220/140	2.2	140	2.17	1.43	1.12	.852		
645-597-7703-607F	597-7703-607F	B	1206	Red/Green	631/571	55/45	2.4	130	1.04	.65	.52	.364		
645-597-2751-607F	597-2751-607F	C	1208	Red/Green	631/571	45/35	2.4	130	1.09	.696	.456	.36		
645-597-2723-607F	597-2723-607F	C	1208	Green/Yellow	571/589	35/75	2.4	130	1.89	1.24	.972	.742		
645-598-8610-207F	598-8610-207F	D	1210	Red/Yellowish Green	645/570	80/50	2.4	140	.52	.304	.175	.137		
645-597-7701-107F	597-7701-107F	D	1210	Red/Green	630/565	4.0/12.0	2.6/2.6	170	1.47	.918	.734	.514		
645-598-8621-207F	598-8621-207F	D	1210	RedOrg/Green	630/530	120/240	2.4	140	.90	.574	.376	.297		
645-598-8660-207F	598-8660-207F	D	1210	Yellow/Red	592/645	150/80	2.4	140	.52	.304	.175	.137		
645-598-8640-207F	598-8640-207F	D	1210	Yellow/Yellowish Green	592/570	150/50	2.4	140	.52	.304	.175	.137		
645-597-7721-107F	597-7721-107F	D	1210	Yellow/Green	585/565	8.0/12.0	2.8/2.6	170	1.46	.913	.73	.511		
645-598-8610-307F	598-8610-307F	D	1210	Red/Green/Blue	645/530/475	80/220/140	2.2	140	2.17	1.43	1.12	.852		
645-597-7731-202F	597-7731-202F	E	PLCC-4	Red/Yellow	635/586	7.3/6.8	2.5/2.6	120	2.20	1.44	1.13	.866		
645-597-7701-207F	597-7701-207F	E	PLCC-4	Red/Green	635/565	6.0/9.4	2.6/2.6	120	1.19	.745	.596	.417		
645-597-7721-207F	597-7721-207F	E	PLCC-4	Yellow/Green	586/565	4.0/9.4	2.6/2.6	120	1.05	.658	.526	.368		
645-598-8510-207F	598-8510-207F	F	RA	Red/Yellowish Green	645/570	80/50	2.4	160	.52	.304	.175	.137		
645-598-8520-207F	598-8520-207F	F	RA	RedOrg/Yellowish Green	630/570	150/50	2.4	160	.52	.304	.175	.137		
645-598-8560-207F	598-8560-207F	F	RA	Yellow/Red	592/645	150/60	2.4	160	.52	.304	.175	.137		
645-598-8540-207F	598-8540-207F	F	RA	Yellow/Yellowish Green	592/570	150/50	2.4	160	.52	.304	.175	.137		
645-598-8810-307F	598-8810-307F	G	RA	Red/Green/Blue	645/530/475	80/220/140	2.4	160	2.17	1.43	1.12	.852		
645-598-8820-307F	598-8820-307F	G	RA	RedOrg/Green/Blue	630/530/475	150/300/140	2.4	160	2.17	1.43	1.12	.852		
645-598-8840-307F	598-8840-307F	G	RA	Yellow/Green/Blue	595/530/475	150/300/140	2.4	160	2.17	1.43	1.12	.852		



LED SNAP-IN PANEL MOUNT INDICATORS .156" MOUNTING HOLE

MOUSER STOCK NO.	Dialight Part No.	Fig.	Color	Voltage (Max)	Current (mA)	mcd	Price Each			
							1	10	100	1000
Straight Terminals										
645-558-0101-001F	558-0101-001F	H	Red	2	10	10	1.26	.788	.63	.441
645-558-0301-001F	558-0301-001F	H	Yellow	2.1	10	6.3	1.26	.788	.63	.441
645-558-0201-001F	558-0201-001F	H	Green	2.1	10	16	1.26	.788	.63	.441
645-558-3001-001F	558-3001-001F	H	Red/Green	2/2	10	5/5	1.41	.878	.702	.491
14" Wire Leads										
645-558-0101-007F	558-0101-007F	I	Red	2	10	10	2.13	1.40	1.09	.836
645-558-1101-007F	558-1101-007F	I	Red	1.8	2	1.8	2.39	1.57	1.23	.938
645-558-0102-007F	558-0102-007F	I	Red	5	10	4	2.57	1.69	1.32	1.01
645-558-0302-007F	558-0302-007F	I	Yellow	5	10	8	2.57	1.69	1.32	1.01
645-558-0301-007F	558-0301-007F	I	Yellow	2.1	10	6.3	2.13	1.40	1.09	.836
645-558-1201-007F	558-1201-007F	I	Yellow	1.9	2	1.6	2.39	1.57	1.23	.938
645-558-0201-007F	558-0201-007F	I	Green	2.1	10	16	2.13	1.40	1.09	.836
645-558-1301-007F	558-1301-007F	I	Green	1.8	2	1.6	2.39	1.57	1.23	.938
645-558-3001-007F	558-3001-007F	I	Red/Green	2/2	10	1.6	2.86	1.88	1.47	1.12
645-558-3201-007F	558-3201-007F	I	Yellow/Green	2.1/2.1	20	5/15	2.86	1.88	1.47	1.12

LED SNAP-IN PANEL MOUNT INDICATORS .250" MOUNTING HOLE

MOUSER STOCK NO.	Dialight Part No.	Fig.	Color	Voltage (Max)	Current (mA)	mcd	Price Each			
							1	10	100	1000
Standard Straight Terminals										
645-559-0102-001F	559-0102-001F	J	Red	5	13	2	1.84	1.21	.943	.72
645-559-1101-001F	559-1101-001F	J	Red	1.8	2	2	1.68	1.05	.838	.587
645-559-2101-001F	559-2101-001F	J	Red	2.2	10	7	1.47	.918	.734	.514
645-559-0302-001F	559-0302-001F	J	Yellow	5	10	8	1.84	1.21	.943	.72
645-559-2301-001F	559-2301-001F	J	Yellow	2.1	10	6.3	1.47	.918	.734	.514
645-559-0202-001F	559-0202-001F	J	Green	5	12	8	1.84	1.21	.943	.72
645-559-2201-001F	559-2201-001F	J	Green	2.1	10	10	1.03	.643	.514	.36
645-559-3001-001F	559-3001-001F	J	Red/Green	1.8/2.1	20	60/20	2.39	1.57	1.23	.938
645-559-3101-001F	559-3101-001F	J	Red/Green	1.8/2.1	20	60/20	2.28	1.50	1.17	.895
645-559-3201-001F	559-3201-001F	J	Yellow/Green	2.1/2.1	20	8.7/8.7	2.68	1.76	1.38	1.05
High Bright Diffused Straight Terminals										
645-559-5101-001F	559-5101-001F	J	Red	2.1	20	34	1.59	.995	.796	.557
645-559-5301-001F	559-5301-001F	J	Yellow	2.2	20	34	1.59	.995	.796	.557
645-559-5201-001F	559-5201-001F	J	Green	2.2	20	34	1.59	.995	.796	.557
Standard 14" Wire Leads										
645-559-0102-007F	559-0102-007F	K	Red	5	13	2	2.39	1.57	1.23	.938
645-559-1101-007F	559-1101-007F	K	Red	1.8	2	2	2.21	1.45	1.13	.865
645-559-2101-007F	559-2101-007F	K	Red	2.2	10	7	1.84	1.21	.943	.72
645-559-0302-007F	559-0302-007F	K	Yellow	5	10	8	2.39	1.57	1.23	.938
645-559-1201-007F	559-1201-007F	K	Yellow	1.8	2	1.8	2.21	1.45	1.13	.865
645-559-2301-007F	559-2301-007F	K	Yellow	2.1	10	6.3	1.84	1.21	.943	.72
645-559-0202-007F	559-0202-007F	K	Green	5	12	8	2.39	1.57	1.23	.938
645-559-1301-007F	559-1301-007F	K	Green	1.8	2	1.8	2.21	1.45	1.13	.865
645-559-2201-007F	559-2201-007F	K	Green	2.1	10	10	1.84	1.21	.943	.72
645-559-3001-007F	559-3001-007F	K	Red/Green	1.7/2.0	20	60/40	2.83	1.86	1.45	1.11
645-559-3501-007F	559-3501-007F	L	Red/Green	2.1/2.3	10	5.0/8.0	3.94	2.75	2.36	1.74
645-559-3601-007F	559-3601-007F	L	Yellow/Green	1.6/1.6	10	5.0/8.0	3.94	2.75	2.36	1.74
High Bright 14" Wire Leads										
645-559-5101-007F	559-5101-007F	K	Red	2.1	20	34	2.02	1.33	1.04	.793
645-559-5301-007F	559-5301-007F	K	Yellow	2.1	20	34	2.02	1.33	1.04	.793
645-559-5201-007F	559-5201-007F	K	Green	2.1	20	34	2.02	1.33	1.04	.793
645-559-5601-007F	559-5601-007F	K	Green	2.3	20	20	2.13	1.40	1.09	.836
Ultra Bright 14" Wire Leads										
645-559-6101-007F	559-6101-007F	K	Red	1.9	20	2100	3.50	2.29	1.79	1.37
645-559-5901-007F	559-5901-007F	K	Amber	2.02	20	3100	3.50	2.29	1.79	1.37
645-559-6001-007F	559-6001-007F	K	Blue	3.6	20	1500	9.04	6.48	5.45	4.43
645-559-6401-007F	559-6401-007F	K	White	3.5	20	2500	9.04	6.48	5.45	4.43

DIALIGHT LED Panel Mount and Circuit Board Indicators

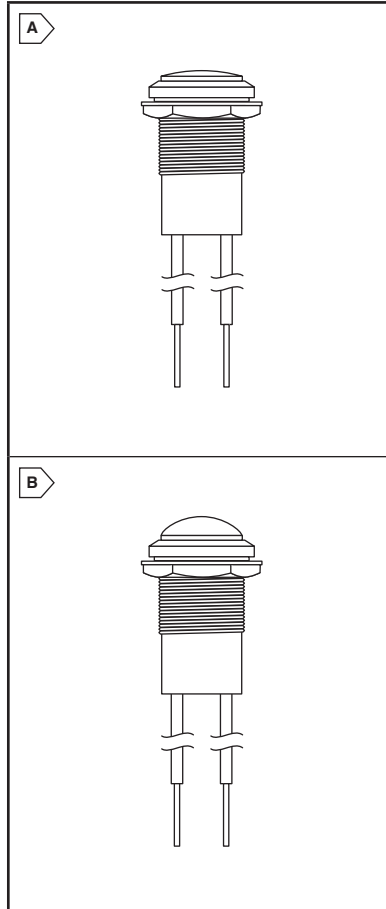
Dialight
A Hudson Group Company

RoHS Compliant This page of product is RoHS compliant.

657 SERIES - PANEL MOUNT INDICATORS

Features/Benefits:

- IP67/NEMA 4X
- Cool-to-the-touch Operation
- Daylight Viewable
- Resistant to shock and vibration
- Anti-Capillary Wire
- LED Technology engineered for up to 100k hours of operation



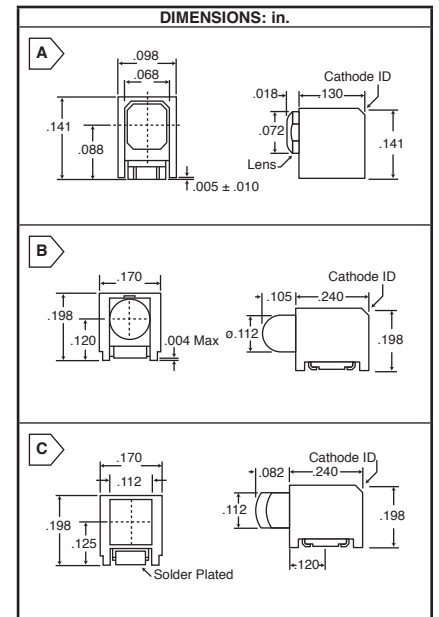
For quantities greater than listed, call for quote.

MOUSER STOCK NO.	Dialight Part No.	Fig.	Color	Lens Color	Intensity (fL)	Voltage (V) (Typ.)	Current (mA)	Price Each			
								1	10	100	1000
Flat Lens											
645-657-1502-103F	657-1502-103F	A	Red	Tinted Diffused	350	5	19	14.90	14.27	9.51	8.09
645-657-1502-303F	657-1502-303F	A	Red	White Diffused	350	5	19	14.90	14.27	9.51	8.09
645-657-1503-103F	657-1503-103F	A	Red	Tinted Diffused	350	12	20	14.90	14.27	9.51	8.09
645-657-1503-303F	657-1503-303F	A	Red	White Diffused	350	12	20	14.90	14.27	9.51	8.09
645-657-1504-103F	657-1504-103F	A	Red	Tinted Diffused	350	24	19	14.90	14.27	9.51	8.09
645-657-1504-303F	657-1504-303F	A	Red	White Diffused	350	24	19	14.90	14.27	9.51	8.09
645-657-1902-103F	657-1902-103F	A	Orange	Tinted Diffused	475	5	19	14.90	14.27	9.51	8.08
645-657-1903-103F	657-1903-103F	A	Orange	Tinted Diffused	475	12	20	14.90	14.27	9.51	8.09
645-657-1904-103F	657-1904-103F	A	Orange	Tinted Diffused	475	24	19	14.90	14.27	9.51	8.09
645-657-1904-303F	657-1904-303F	A	Orange	White Diffused	475	24	19	14.90	14.27	9.51	8.09
645-657-1702-103F	657-1702-103F	A	Yellow	Tinted Diffused	350	5	19	14.90	14.27	9.51	8.09
645-657-1702-303F	657-1702-303F	A	Yellow	White Diffused	350	5	19	14.90	14.27	9.51	8.08
645-657-1704-103F	657-1704-103F	A	Yellow	Tinted Diffused	350	24	19	14.90	14.27	9.51	8.09
645-657-1704-303F	657-1704-303F	A	Yellow	White Diffused	350	24	19	14.90	14.27	9.51	8.09
645-657-1602-103F	657-1602-103F	A	Green	Tinted Diffused	350	5	18	16.48	15.79	10.52	8.94
645-657-1602-303F	657-1602-303F	A	Green	White Diffused	350	5	18	16.48	15.79	10.52	8.94
645-657-1603-103F	657-1603-103F	A	Green	Tinted Diffused	350	12	20	16.48	15.78	10.52	8.94
645-657-1603-303F	657-1603-303F	A	Green	White Diffused	350	12	20	16.48	15.79	10.52	8.94
645-657-1604-103F	657-1604-103F	A	Green	Tinted Diffused	350	24	20	16.48	15.79	10.52	8.94
645-657-1604-303F	657-1604-303F	A	Green	White Diffused	350	24	20	16.48	15.79	10.52	8.94
645-657-1802-103F	657-1802-103F	A	Blue	Tinted Diffused	125	5	18	16.48	15.78	10.52	8.94
645-657-1802-303F	657-1802-303F	A	Blue	White Diffused	125	5	18	16.48	15.79	10.52	8.94
645-657-1803-103F	657-1803-103F	A	Blue	Tinted Diffused	125	12	20	16.48	15.78	10.52	8.94
645-657-1803-303F	657-1803-303F	A	Blue	White Diffused	125	12	20	16.48	15.78	10.52	8.94
645-657-1804-103F	657-1804-103F	A	Blue	Tinted Diffused	125	24	20	16.48	15.79	10.52	8.94
645-657-1804-303F	657-1804-303F	A	Blue	White Diffused	125	24	20	16.48	15.79	10.52	8.94
645-657-1004-303F	657-1004-303F	A	White	White Diffused	100	24	20	16.48	15.79	10.52	8.94
Domed Lens											
645-657-2502-103F	657-2502-103F	B	Red	Tinted Diffused	400	5	19	14.90	14.27	9.51	8.09
645-657-2503-103F	657-2503-103F	B	Red	Tinted Diffused	400	12	20	14.90	14.27	9.51	8.09
645-657-2503-303F	657-2503-303F	B	Red	White Diffused	400	12	20	14.90	14.27	9.51	8.09
645-657-2504-103F	657-2504-103F	B	Red	Tinted Diffused	400	24	19	14.90	14.27	9.51	8.09
645-657-2504-303F	657-2504-303F	B	Red	White Diffused	400	24	19	14.90	14.27	9.51	8.09
645-657-2902-103F	657-2902-103F	B	Orange	Tinted Diffused	675	5	19	14.90	14.27	9.51	8.09
645-657-2903-103F	657-2903-103F	B	Orange	Tinted Diffused	675	12	20	14.90	14.27	9.51	8.09
645-657-2904-103F	657-2904-103F	B	Orange	Tinted Diffused	675	24	19	14.90	14.27	9.51	8.09
645-657-2904-303F	657-2904-303F	B	Orange	White Diffused	675	24	19	14.90	14.27	9.51	8.08
645-657-2702-103F	657-2702-103F	B	Yellow	Tinted Diffused	400	5	19	14.90	14.27	9.51	8.09
645-657-2703-103F	657-2703-103F	B	Yellow	Tinted Diffused	400	12	20	14.90	14.27	9.51	8.09
645-657-2704-103F	657-2704-103F	B	Yellow	Tinted Diffused	400	24	19	14.90	14.27	9.51	8.09
645-657-2602-103F	657-2602-103F	B	Green	Tinted Diffused	400	5	18	16.48	15.78	10.52	8.94
645-657-2603-103F	657-2603-103F	B	Green	Tinted Diffused	400	12	20	16.48	15.79	10.52	8.94
645-657-2603-303F	657-2603-303F	B	Green	White Diffused	400	12	20	16.48	15.78	10.52	8.94
645-657-2604-103F	657-2604-103F	B	Green	Tinted Diffused	400	24	20	16.48	15.79	10.52	8.94
645-657-2604-303F	657-2604-303F	B	Green	White Diffused	400	24	20	16.48	15.79	10.52	8.94
645-657-2802-103F	657-2802-103F	B	Blue	Tinted Diffused	175	5	18	16.48	15.79	10.52	8.94
645-657-2803-103F	657-2803-103F	B	Blue	Tinted Diffused	175	12	20	16.48	15.79	10.52	8.94
645-657-2803-303F	657-2803-303F	B	Blue	White Diffused	175	12	20	16.48	15.78	10.52	8.94
645-657-2804-103F	657-2804-103F	B	Blue	Tinted Diffused	175	24	20	16.48	15.78	10.52	8.94
645-657-2804-303F	657-2804-303F	B	Blue	White Diffused	175	24	20	16.48	15.79	10.52	8.94
645-657-2004-303F	657-2004-303F	B	White	White Diffused	100	24	20	16.48	15.79	10.52	8.94

SURFACE MOUNT RIGHT ANGLE CIRCUIT BOARD INDICATORS

For quantities greater than listed, call for quote.

MOUSER STOCK NO.	Dialight Part No.	Fig.	Color	Vf (Typ.) (Volts)	Lum. Intens. (Typ.) (mcd)	Dom. Wavelength (nm) (Typ.)	Viewing Angle (°)	Price Each		
								1	10	100
2mm										
645-595-2101-007F	595-2101-007F	A	Red	1.7	25	640	40	1.97	1.23	.982
645-595-2201-007F	595-2201-007F	A	Green	2.2	8.5	566	40	1.84	1.21	.943
645-595-2301-007F	595-2301-007F	A	Green	2.1	11	567	40	1.97	1.23	.982
645-595-2401-007F	595-2401-007F	A	Yellow	2.2	9	588	40	1.97	1.23	.982
645-595-2701-007F	595-2701-007F	A	Yellow	2.0	41	592	40	1.83	1.20	.943
Single 3mm, Round Lens										
645-591-2001-013F	591-2001-013F	B	Red	2.0	5	628	40	1.88	1.17	.938
645-591-2101-013F	591-2101-013F	B	Red	1.75	14	645	40	1.97	1.23	.982
645-591-2201-013F	591-2201-013F	B	Green	2.1	9.1	570	40	1.80	1.18	.922
645-591-2301-013F	591-2301-013F	B	Green	2.0	4	570	40	1.88	1.17	.938
645-591-2401-013F	591-2401-013F	B	Yellow	2.0	5	590	40	1.88	1.17	.938
645-591-2601-013F	591-2601-013F	B	Blue	3.5	6	465	40	3.44	2.26	1.77
Single 3mm, Bi-Color, Round Lens										
645-591-3001-013F	591-3001-013F	B	Red/Green	2.0/2.0	6.5/8	628/570	40	3.06	2.01	1.57
645-591-3101-013F	591-3101-013F	B	Yel/Green	2.0/2.0	6.5/8	586/570	40	3.06	2.01	1.57
645-591-3201-013F	591-3201-013F	B	Red/Yellow	2.0/2.0	6.5/6.5	628/586	40	2.50	1.64	1.28
Single 3mm, Square Lens										
645-591-2001-113F	591-2001-113F	C	Red	2.0	5	628	40	1.88	1.17	.938
645-591-2301-113F	591-2301-113F	C	Green	2.0	4	570	40	1.88	1.17	.938
645-591-2401-113F	591-2401-113F	C	Yellow	2	5	587	40	1.88	1.17	.938
Single 3mm, Bi-Color, Square Lens										
645-591-3001-113F	591-3001-113F	C	Red/Green	2.0/2.0	6.5/8	645/570	40	3.06	2.01	1.57
645-591-3101-113F	591-3101-113F	C	Yel/Green	2.0/2.0	6.5/8	590/570	40	3.06	2.01	1.57



DIALIGHT LED Panel Mount Indicators

Dialight
A Mouser Group Company

RoHS Compliant This page of product is RoHS compliant.

LED PANEL MOUNT INDICATORS

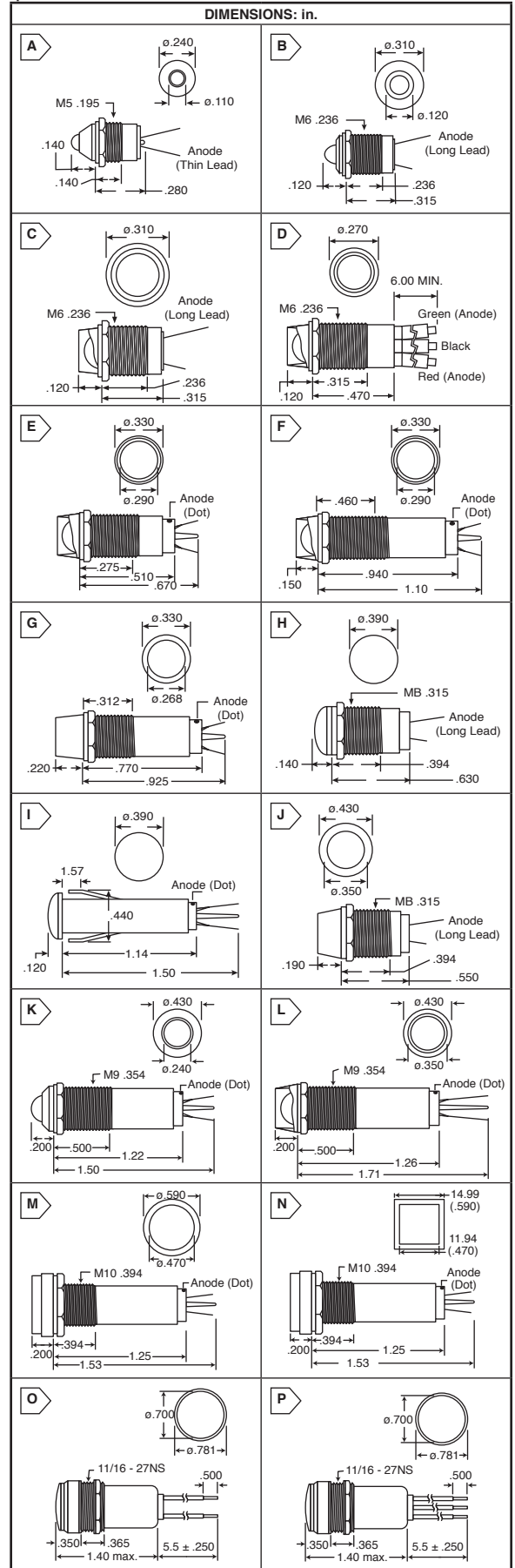
MOUSER STOCK NO.	Dialight Part No.	Fig.	Color	Voltage (Max.)	Current (mA)	mcd	Price Each			
							1	10	100	1000
For quantities greater than listed, call for quote.										
605 Series, 5mm Mounting Hole										
645-605-1111-110F	605-1111-110F	A	Red	2	10	1.2	4.86	3.40	2.91	2.15
645-605-1311-110F	605-1311-110F	A	Yellow	2	15	2	5.59	3.91	3.35	2.48
645-605-1211-110F	605-1211-110F	A	Green	2	15	0.8	5.59	3.91	3.35	2.48
606 Series, 6mm Mounting Hole										
645-606-1111-110F	606-1111-110F	B	Red	2	5	2.4	4.86	3.40	2.91	2.15
645-606-1311-110F	606-1311-110F	B	Yellow	2	10	3.7	5.59	3.91	3.35	2.48
645-606-1211-110F	606-1211-110F	B	Green	2	15	3	5.59	3.91	3.35	2.48
645-606-2111-110F	606-2111-110F	C	Red	2	5	2.4	4.86	3.40	2.91	2.15
645-606-2211-110F	606-2211-110F	C	Green	2	15	3	5.59	3.91	3.35	2.48
645-606-2415-110F	606-2415-110F	D	Red/Green	2	5/20	.6/1	6.21	4.45	3.75	3.04
645-606-2415-120F	606-2415-120F	D	Red/Green	6	5/20	.6/1	6.98	5.00	4.21	3.42
645-606-2415-130F	606-2415-130F	D	Red/Green	12	5/20	.6/1	6.98	5.00	4.21	3.42
607 Series, 7mm Mounting Hole										
645-607-2112-110F	607-2112-110F	E	Red	2	15	8	3.69	2.58	2.21	1.64
645-607-2312-110F	607-2312-110F	E	Yellow	2	15	2.2	4.04	2.83	2.42	1.79
645-607-2212-110F	607-2212-110F	E	Green	2	15	8	4.04	2.83	2.42	1.79
645-607-2112-120F	607-2112-120F	F	Red	6	15	8	4.64	3.24	2.78	2.06
645-607-2112-130F	607-2112-130F	F	Red	12	15	8	4.64	3.24	2.78	2.06
645-607-2312-120F	607-2312-120F	F	Yellow	6	15	2.2	5.00	3.49	2.99	2.21
645-607-2312-130F	607-2312-130F	F	Yellow	12	15	2.2	4.92	3.44	2.95	2.18
645-607-2212-120F	607-2212-120F	F	Green	6	15	8	4.92	3.44	2.95	2.18
645-607-2212-130F	607-2212-130F	F	Green	12	15	8	4.92	3.44	2.95	2.18
645-607-3132-120F	607-3132-120F	G	Red	6	15	8	3.27	2.29	1.96	1.45
645-607-3232-120F	607-3232-120F	G	Green	6	15	8	3.55	2.48	2.12	1.57
645-607-3232-130F	607-3232-130F	G	Green	12	15	8	3.55	2.48	2.12	1.57
608 Series, 8mm Mounting Hole										
645-608-1131-110F	608-1131-110F	H	Red	2	15	20	3.20	2.10	1.64	1.25
645-608-1303-110F	608-1303-110F	H	Yellow	2	15	4	3.09	2.16	1.85	1.37
645-608-1231-110F	608-1231-110F	H	Green	2	15	15	3.09	2.16	1.85	1.37
645-608-1132-220F	608-1132-220F	I	Red	6	15	20	3.51	2.46	2.11	1.56
645-608-1132-230F	608-1132-230F	I	Red	12	15	20	3.51	2.46	2.11	1.56
645-608-1332-220F	608-1332-220F	I	Yellow	6	15	10	3.76	2.63	2.25	1.67
645-608-1232-230F	608-1232-230F	I	Green	12	15	20	3.76	2.63	2.25	1.67
645-608-3131-110F	608-3131-110F	J	Red	2	15	20	3.20	2.10	1.64	1.25
645-608-3231-110F	608-3231-110F	J	Green	2	15	15	3.09	2.16	1.85	1.37
645-608-3331-110F	608-3331-110F	J	Yellow	2	15	4	3.09	2.16	1.85	1.36
609 Series, 9mm Mounting Hole										
645-609-1112-130F	609-1112-130F	K	Red	12	15	20	6.61	4.74	3.99	3.24
645-609-1212-130F	609-1212-130F	K	Green	12	15	15	7.02	5.03	4.24	3.44
645-609-2112-120F	609-2112-120F	L	Red	6	15	20	6.61	4.73	3.99	3.24
645-609-2112-130F	609-2112-130F	L	Red	12	15	20	6.61	4.74	3.99	3.24
645-609-2312-130F	609-2312-130F	L	Yellow	12	15	4	7.02	5.03	4.24	3.44
645-609-2212-130F	609-2212-130F	L	Green	12	15	15	7.02	5.03	4.24	3.44
610 Series, 10mm Mounting Hole										
645-610-3132-120F	610-3132-120F	M	Red	6	10	250	3.86	2.70	2.31	1.71
645-610-3332-120F	610-3332-120F	M	Yellow	6	10	12	4.04	2.83	2.42	1.79
645-610-3232-120F	610-3232-120F	M	Green	6	10	15	4.04	2.83	2.42	1.79
645-610-4132-120F	610-4132-120F	N	Red	6	10	250	3.87	2.70	2.32	1.71
645-610-4232-120F	610-4232-120F	N	Green	6	10	15	4.04	2.82	2.42	1.79

WATERTIGHT LED PANEL MOUNT INDICATORS, 11/16" MOUNTING HOLE

MOUSER STOCK NO.	Dialight Part No.	Fig.	Color	Voltage (Max.)	Current (mA)	mcd	Price Each			
							1	10	100	1000
For quantities greater than listed, call for quote.										
Superbright										
645-557-1502-203F	557-1502-203F	O	Red	5	80	1000	14.19	13.59	9.06	7.70
645-557-1503-203F	557-1503-203F	O	Red	12	20	1000	14.19	13.59	9.06	7.70
645-557-1505-203F	557-1505-203F	O	Red	24	20	1000	14.19	13.59	9.06	7.70
645-557-1702-203F	557-1702-203F	O	Yellow	5	80	1000	14.19	13.59	9.06	7.70
645-557-1703-203F	557-1703-203F	O	Yellow	12	20	1000	14.19	13.59	9.06	7.70
645-557-1705-203F	557-1705-203F	O	Yellow	24	20	1000	14.19	13.59	9.06	7.70
645-557-1602-203F	557-1602-203F	O	Green	5	16	1000	15.70	15.03	10.02	8.52
645-557-1603-203F	557-1603-203F	O	Green	12	16	1000	15.70	15.03	10.02	8.52
645-557-1605-203F	557-1605-203F	O	Green	24	16	1000	15.70	15.03	10.02	8.52
645-557-1802-203F	557-1802-203F	O	Blue	5	16	250	15.69	15.03	10.02	8.51
645-557-1803-203F	557-1803-203F	O	Blue	12	16	250	15.70	15.03	10.02	8.52
645-557-1805-203F	557-1805-203F	O	Blue	24	16	250	15.70	15.03	10.02	8.52
Bi-Color Superbright										
645-557-1412-203F	557-1412-203F	P	R/G	5	70/16	400/1000	16.96	16.24	10.82	9.20
645-557-1432-203F	557-1432-203F	P	Y/G	5	70/16	400/1000	19.96	19.12	12.74	10.83

LED VERTICAL TUBULAR PCB MOUNT LIGHTPIPES

MOUSER STOCK NO.	Dialight Part No.	Color	Dimensions: mm	Price Each			
				1	10	100	1000
For quantities greater than listed, call for quote.							
Flat Lens Shape							
645-515-1192-0250F	515-1192-0250F	Clear	3 x 6.35	1.09	.702	.46	.363
645-515-1192-0550F	515-1192-0550F	Clear	3 x 13.97	1.05	.655	.524	.367
Domed Lens Shape							
645-515-1194-0300F	515-1194-0300F	Clear	3 x 7.62	1.09	.702	.46	.363
645-515-1194-0350F	515-1194-0350F	Clear/Transparent	3 x 8.89	1.09	.702	.46	.363
645-515-1194-0354F	515-1194-0354F	Clear	3 x 9	1.09	.702	.46	.363
645-515-1194-0450F	515-1194-0450F	Clear	3 x 11.43	1.01	.63	.504	.363



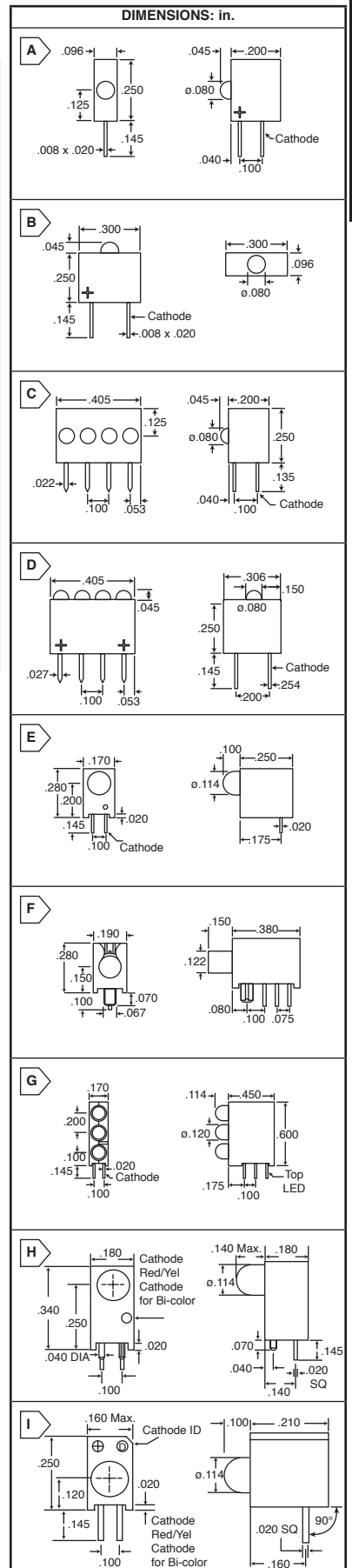
DIALIGHT Circuit Board Indicators

Dialight
A Mouser Group Company

RoHS Compliant This page of product is RoHS compliant.

2MM THRU-HOLE LED INDICATORS

MOUSER STOCK NO.	Dialight Part No.	Fig.	Color	V _F	Lum. Intens. Typ.	Peak W.length (nm)	Viewing Angle (Deg)	Price Each			
								1	10	100	1000
For quantities greater than listed, call for quote.											
2mm, Single, Right Angle											
645-555-2001F	555-2001F	A	Red	1.6	1.2	650	40	1.88	1.18	.94	.658
645-555-2301F	555-2301F	A	Green	2.4	1.0	565	40	1.69	1.06	.846	.592
645-555-2401F	555-2401F	A	Yellow	2.2	2.0	583	40	1.91	1.19	.954	.668
2mm, Single, Right Angle with Integral Resistor											
645-555-2003F	555-2003F	A	Red	6.0	1.9	650	40	1.94	1.21	.97	.679
645-555-2007F	555-2007F	A	Red	3.0	0.9	650	40	1.98	1.24	.99	.693
645-555-2008F	555-2008F	A	Red	24	0.9	650	40	1.78	1.17	.914	.698
645-555-2303F	555-2303F	A	Green	4.7	2.5	565	40	1.91	1.19	.954	.668
645-555-2403F	555-2403F	A	Yellow	4.7	2.1	583	40	1.94	1.21	.97	.679
2mm, Single, Top View											
645-555-3001F	555-3001F	B	Red	1.6	1.2	650	40	1.96	1.23	.98	.686
645-555-3301F	555-3301F	B	Green	2.4	1.0	565	40	2.31	1.52	1.19	.906
645-555-3401F	555-3401F	B	Yellow	2.2	2.0	583	40	2.31	1.52	1.19	.906
2mm, Single, Top View with Integral Resistor											
645-555-3003F	555-3003F	B	Red	6	1.9	650	40	1.76	1.16	.905	.692
645-555-3007F	555-3007F	B	Red	3.0	0.9	650	40	2.12	1.39	1.09	.832
645-555-3008F	555-3008F	B	Red	24	0.9	650	40	2.12	1.39	1.09	.832
645-555-3303F	555-3303F	B	Green	6	2.5	565	40	2.50	1.64	1.29	.982
645-555-3403F	555-3403F	B	Yellow	6	2.1	583	40	2.50	1.64	1.29	.982
2mm, Quad, Right Angle											
645-555-4001F	555-4001F	C	Red	1.6	1.2	650	40	4.46	3.12	2.67	1.98
645-555-4301F	555-4301F	C	Green	2.4	1.0	565	40	5.15	3.60	3.09	2.28
645-555-4401F	555-4401F	C	Yellow	2.2	2.0	583	40	4.54	3.17	2.72	2.01
2mm, Quad, Top View											
645-555-5001F	555-5001F	D	Red	1.6	1.2	650	40	5.74	4.11	3.46	2.82
2mm, Quad, Top View with Integral Resistor											
645-555-5007F	555-5007F	D	Red	5	0.9	650	40	6.53	4.68	3.94	3.20
645-555-5303F	555-5303F	D	Green	5	2.5	565	40	6.78	4.86	4.09	3.33
645-555-5403F	555-5403F	D	Yellow	5	2.1	583	40	6.78	4.86	4.09	3.32
2mm, Quad, Right Angle with Integral Resistor											
645-555-4003F	555-4003F	C	Red	6.0	1.9	650	40	5.02	3.51	3.01	2.22
645-555-4007F	555-4007F	C	Red	3.0	0.9	650	40	5.02	3.51	3.01	2.22
645-555-4303F	555-4303F	C	Green	4.7	2.5	565	40	5.15	3.60	3.09	2.28
645-555-4403F	555-4403F	C	Yellow	4.7	2.1	583	40	5.15	3.60	3.09	2.28
645-555-5003F	555-5003F	C	Red	6	1.9	650	40	6.53	4.68	3.94	3.20



3MM LED INDICATORS

MOUSER STOCK NO.	Dialight Part No.	Fig.	Color	V _F	mA	mcd	Price Each			
							1	10	100	1000
For quantities greater than listed, call for quote.										
Single, High LED Centerline, High Efficiency										
645-551-0207F	551-0207F	E	Green	2.1	10	16.0	1.03	.645	.516	.361
645-551-0307F	551-0307F	E	Yellow	2.1	10	6.3	1.03	.645	.516	.361
645-551-0407F	551-0407F	E	Red	2.1	10	10.0	1.03	.645	.516	.361
Single, High LED Centerline, Integral Resistor 5V										
645-551-0507F	551-0507F	E	Red	5	10	4.0	1.57	.983	.786	.55
645-551-0707F	551-0707F	E	Yellow	5	10	8.0	1.57	.983	.786	.55
645-551-0607F	551-0607F	E	Green	5	12	8.0	1.57	.983	.786	.55
Single, High LED Centerline, Low Current										
645-551-1107F	551-1107F	E	Red	1.8	2	1.8	1.35	.84	.672	.47
645-551-1207F	551-1207F	E	Yellow	1.9	2	1.6	1.35	.84	.672	.47
645-551-1307F	551-1307F	E	Green	1.8	2	1.6	1.35	.84	.672	.47
Single, Bi-color, Right Angle										
645-551-3007F	551-3007F	E	Red/Green	2	10	5.0	1.76	1.16	.904	.69
645-551-3107F	551-3107F	E	Yellow/Green	2.1	10	4.3/6.3	1.65	1.03	.824	.577
Single, Bi-color, In-Line, Right Angle										
645-551-3508F	551-3508F	F	Red/Green	2.0/2.1	20	4.0	2.45	1.61	1.26	.962
Tri-Level, High Efficiency, Right Angle										
645-564-0100-111F	564-0100-111F	G	Red(x3)	2.2	10	10	3.50	2.29	1.79	1.37
645-564-0100-132F	564-0100-132F	G	Red/Yellow/Green	2.2	10	10	3.50	2.29	1.79	1.37
645-564-0100-222F	564-0100-222F	G	Green(x3)	2.2	10	10	2.71	1.78	1.39	1.06
645-564-0100-333F	564-0100-333F	G	Yellow(x3)	2.2	10	10	3.50	2.29	1.79	1.37
Tri-Level, Low Current, Right Angle										
645-564-0200-111F	564-0200-111F	G	Red(x3)	1.8	2	1.8	3.31	2.32	1.99	1.47
645-564-0200-132F	564-0200-132F	G	Red/Yellow/Green	1.8/1.9/1.8	2	1.8/1.6/1.6	3.31	2.32	1.99	1.47
645-564-0200-222F	564-0200-222F	G	Green(x3)	1.8	2	1.6	3.25	2.13	1.67	1.28
Tri-Level, Integral Resistor, Right Angle										
645-564-0300-132F	564-0300-132F	G	Red/Yellow/Green	5/5/5	10/10/12	4/8/8	3.28	2.15	1.68	1.29
Tri-Level, Bi-Color, High Efficiency, Right Angle										
645-564-0700-111F	564-0700-111F	G	Red/Green(x3)	2	10	5	4.40	3.08	2.64	1.95
645-564-0700-444F	564-0700-444F	G	Yellow/Green(x3)	2.1	10	4.3/6.3	4.20	2.94	2.52	1.86
Single, High Centerline, High Efficiency										
645-551-0203F	551-0203F	H	Green	2.1	10	16	1.12	.698	.558	.391
645-551-0403F	551-0403F	H	Red	2	10	10	1.12	.698	.558	.391
645-551-0209F	551-0209F	I	Green	2.1	10	16	1.21	.758	.606	.424
645-551-0309F	551-0309F	I	Yellow	2.1	10	6.3	1.21	.758	.606	.424
645-551-0409F	551-0409F	I	Red	2	10	10	1.21	.758	.606	.424
645-551-2509F	551-2509F	I	Orange	2.2	10	6.5	1.34	.84	.672	.47
Single, High Centerline, Integral Resistor										
645-551-0509F	551-0509F	I	Red	5	10	4	1.75	1.09	.874	.612
645-551-0609F	551-0609F	I	Green	5	12	8	1.75	1.09	.874	.612
645-551-0709F	551-0709F	I	Yellow	5	10	8	1.75	1.09	.874	.612
Single, High Centerline, Low Current										
645-551-1109F	551-1109F	I	Red	1.8	2	1.8	1.35	.84	.672	.47
645-551-1209F	551-1209F	I	Yellow	1.9	2	1.6	1.35	.84	.672	.47
645-551-1309F	551-1309F	I	Green	1.8	2	1.6	1.35	.84	.672	.47
Single, High Centerline, Bi-Color										
645-551-3009F	551-3009F	I	Red/Green	2/2	10	5/5	2.00	1.31	1.03	.785
645-551-3109F	551-3109F	I	Yell/Green	2.1/2.1	10	4.3/6.3	2.32	1.52	1.19	.909

DIALIGHT Circuit Board Indicators

Dialight
A Hudson Group Company

RoHS Compliant This page of product is RoHS compliant.

Dialight LED Indication

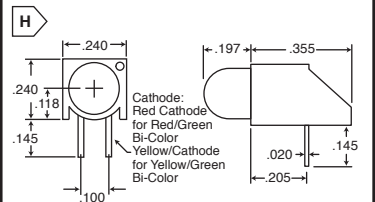
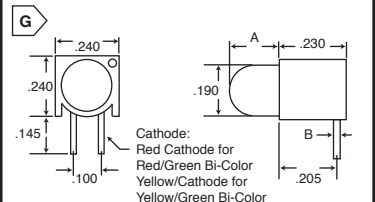
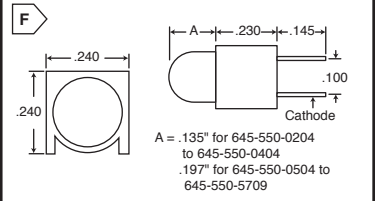
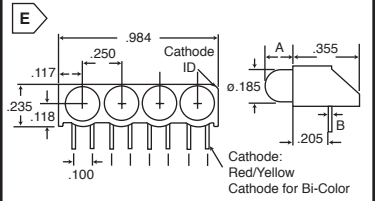
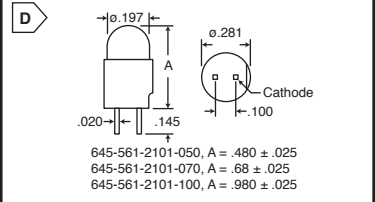
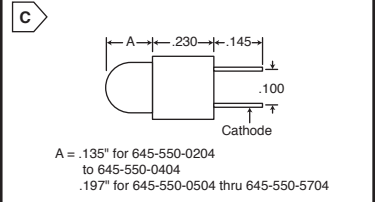
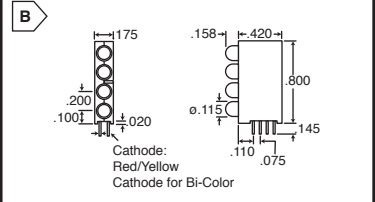
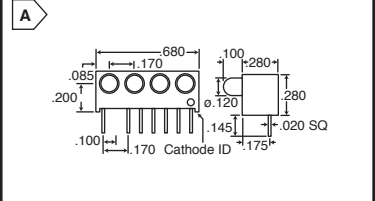
3MM LED INDICATORS (CONT.)

MOUSER STOCK NO.	Dialight Part No.	Fig.	Color	V _F	mA	mcd	Price Each			
							1	10	100	1000
For quantities greater than listed, call for quote.										
Quad, High LED Centerline, High Efficiency										
645-551-0207-004F	551-0207-004F	A	Green	2.1	10	16.3	3.49	2.44	2.09	1.54
645-551-0307-004F	551-0307-004F	A	Yellow	2.1	10	6.3	3.49	2.44	2.09	1.54
645-551-0407-004F	551-0407-004F	A	Red	2	10	10.0	3.07	2.14	1.84	1.36
Quad, High LED Centerline, Integral Resistor 5V										
645-551-0507-004F	551-0507-004F	A	Red	5	13	8.0	5.01	3.50	3.00	2.22
645-551-0607-004F	551-0607-004F	A	Green	5	12	8	4.39	3.07	2.63	1.94
Quad, High Centerline, Low Current										
645-551-1107-004F	551-1107-004F	A	Red	1.8	2	1.8	3.60	2.52	2.16	1.60
645-551-1307-004F	551-1307-004F	A	Green	1.8	2	1.6	4.54	3.18	2.72	2.01
Quad, High Efficiency, Right Angle										
645-568-0101-111F	568-0101-111F	B	Red	2.2	10	10	3.70	2.59	2.22	1.64
645-568-0102-222F	568-0102-222F	B	Green	2.3	8.5	10	3.70	2.59	2.22	1.64
Quad, Bi-Color, Right Angle										
645-568-0701-111F	568-0701-111F	B	Red/Green(x4)	2	10	5	5.50	3.84	3.29	2.43
645-568-0704-444F	568-0704-444F	B	Yellow/Green(x4)	2.1	10	4.3/6.3	5.49	3.84	3.29	2.43

5MM LED INDICATORS

MOUSER STOCK NO.	Dialight Part No.	Fig.	Color	V _F	mA	mcd	Price Each			
							1	10	100	1000
For quantities greater than listed, call for quote.										
Single, General Purpose, Top View										
645-550-0204F	550-0204F	C	Green	2.1	10	12.3	1.25	.783	.626	.438
645-550-0304F	550-0304F	C	Yellow	2.1	10	12.3	1.25	.783	.626	.438
645-550-0404F	550-0404F	C	Red	2	10	12.3	1.25	.783	.626	.438
Single, Integral Resistor, Top View										
645-550-0504F	550-0504F	C	Red	5	13	2.0	1.75	1.09	.874	.612
645-550-0704F	550-0704F	C	Green	5	12	8	1.75	1.09	.874	.612
645-550-0804F	550-0804F	C	Yellow	5	10	8	1.75	1.09	.874	.612
Single, Low Current, Top View										
645-550-1104F	550-1104F	C	Red	1.8	2	2	1.45	.903	.722	.505
645-550-1204F	550-1204F	C	Yellow	1.9	2	1.8	1.45	.903	.722	.505
645-550-1304F	550-1304F	C	Green	1.8	2	1.8	1.45	.903	.722	.505
Single, General Purpose Vertical										
645-561-2101-050F	561-2101-050F	D	Red	2.2	10	7	1.07	.67	.536	.375
645-561-2101-070F	561-2101-070F	D	Red	2.2	10	7	1.07	.67	.536	.375
645-561-2101-100F	561-2101-100F	D	Red	2.2	10	7	1.07	.67	.536	.375
645-561-2201-050F	561-2201-050F	D	Yellow/Green	2	10	32	1.23	.773	.618	.433
645-561-2201-070F	561-2201-070F	D	Yellow/Green	2	10	32	1.16	.73	.584	.409
645-561-2201-100F	561-2201-100F	D	Yellow/Green	2	10	32	2.11	1.39	1.09	.829
Quad, General Purpose, Right Angle										
645-550-0207-004F	550-0207-004F	E	Green	2.1	20	12.3	3.56	2.49	2.13	1.57
645-550-0407-004F	550-0407-004F	E	Red	2	20	12.3	3.57	2.49	2.14	1.58
Quad, Low Current, Right Angle										
645-550-1107-004F	550-1107-004F	E	Red	1.8	2	2	4.20	2.93	2.51	1.86
645-550-1307-004F	550-1307-004F	E	Green	1.8	2	1.8	4.20	2.94	2.52	1.86
Quad, High Efficiency, Right Angle										
645-550-2407-004F	550-2407-004F	E	Red	2.2	10	7	3.70	2.58	2.21	1.63
Single, General Purpose Vertical										
645-561-2301-070F	561-2301-070F	D	Y/G	2.4	10	10	1.07	.67	.536	.375
Single, High Efficiency, Vertical										
645-561-2401-100F	561-2401-100F	D	Red	2.2	10	60	1.14	.713	.57	.399
645-561-2501-100F	561-2501-100F	D	Green	2.3	10	70	1.14	.713	.57	.399
645-561-0901-100F	561-0901-100F	D	Orange	1.9	10	7	1.81	1.13	.904	.633
Single, Super Bright, Diffused Lens Vertical										
645-561-5101-100F	561-5101-100F	D	Red	2.1	20	34	1.24	.773	.618	.433
Single, Super Bright, Water Clear Lens, Vertical										
645-561-5501-100F	561-5501-100F	D	Red	2.2	20	125	1.33	.83	.664	.465
645-561-5601-100F	561-5601-100F	D	Green	2.3	20	120	1.25	.783	.626	.438
645-561-5701-100F	561-5701-100F	D	Yellow	2.2	20	140	1.33	.83	.664	.465
Single, High Efficiency, Top View										
645-550-2204F	550-2204F	F	Green	2.1	10	10.0	1.48	.923	.738	.517
645-550-2404F	550-2404F	F	Red	2.2	10	7.0	1.48	.923	.738	.517
645-550-2504F	550-2504F	F	Orange	1.9	10	7	1.12	.698	.558	.391
Single, Bi-Color, Top View										
645-550-3004F	550-3004F	F	Red/Green	1.8/2.1	20	90/40	2.51	1.64	1.29	.986
Single, Super Bright, Diffused Lens, Top View										
645-550-5104F	550-5104F	F	Red	2.1	20	34	1.61	1.00	.806	.564
645-550-5204F	550-5204F	F	Green	2.2	20	34	1.61	1.01	.806	.564
645-550-5304F	550-5304F	F	Yellow	2.2	20	34	1.61	1.00	.806	.564
Single, Super Bright, Water Clear Lens, Top View										
645-550-5504F	550-5504F	F	Red	2.2	20	125	1.70	1.06	.852	.596
645-550-5604F	550-5604F	F	Green	2.3	20	120	1.70	1.06	.852	.596
Single, General Purpose, Right Angle										
645-550-0205F	550-0205F	G	Green	2.1	20	12.3	1.03	.645	.516	.361
645-550-0305F	550-0305F	G	Yellow	2.1	20	12.3	1.03	.645	.516	.361
645-550-0405F	550-0405F	G	Red	2	20	12.3	1.03	.645	.516	.361
645-550-0207F	550-0207F	H	Green	2.1	20	12.3	1.03	.645	.516	.361
645-550-0307F	550-0307F	H	Yellow	2.1	20	12.3	.94	.603	.495	.312
645-550-0407F	550-0407F	H	Red	2	20	12.3	1.03	.645	.516	.361
Single, Integral Resistor, Right Angle										
645-550-0505F	550-0505F	G	Red	5	13	2	1.43	.895	.716	.501
645-550-0705F	550-0705F	G	Green	5	12	8	1.43	.895	.716	.501
645-550-0805F	550-0805F	G	Yellow	5	10	8	1.43	.895	.716	.501
645-550-0507F	550-0507F	H	Red	5	13	2.0	1.31	.818	.654	.458
645-550-0707F	550-0707F	H	Green	5	12	8.0	1.31	.818	.654	.458
645-550-0807F	550-0807F	H	Yellow	5	10	8.0	1.43	.895	.716	.501

DIMENSIONS: in.

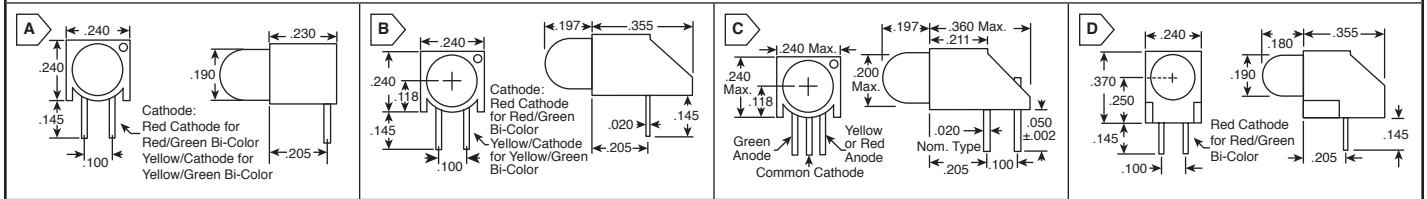


DIALIGHT Circuit Board Indicators

Dialight

RoHS Compliant. This page of product is RoHS compliant.

DIMENSIONS: in.

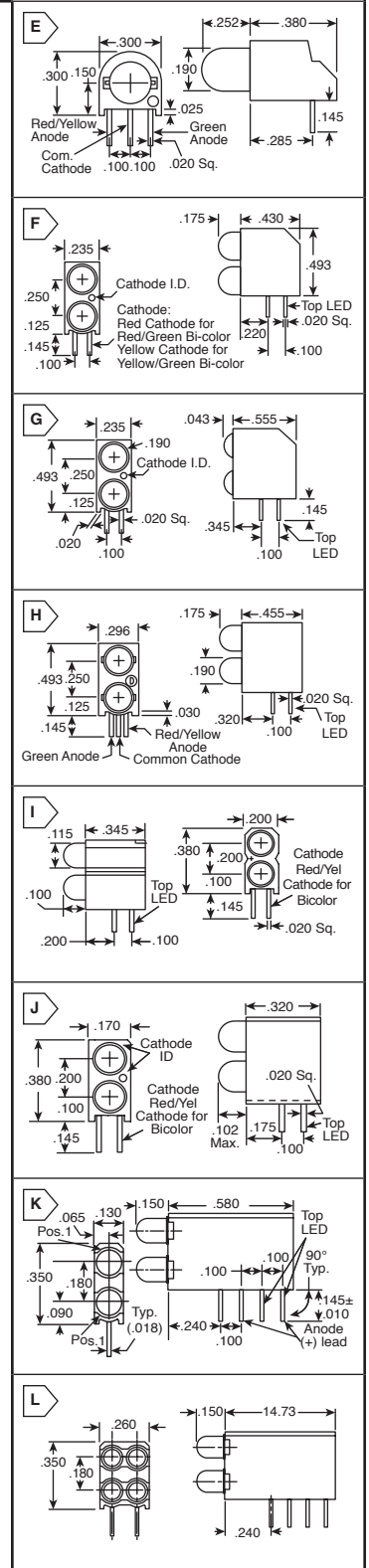


5MM LED INDICATORS (CONT.)

MOUSER STOCK NO.	Dialight Part No.	Fig.	Color	V _F	mA	mcd	Price Each			
							1	10	100	1000
Single, Low Current, Right Angle										
645-550-1105F	550-1105F	A	Red	1.8	2	2	1.35	.84	.672	.47
645-550-1305F	550-1305F	A	Green	1.8	2	1.8	1.35	.84	.672	.47
645-550-1107F	550-1107F	B	Red	1.8	2	2.0	1.23	.765	.612	.428
645-550-1207F	550-1207F	B	Yellow	1.9	2	1.8	1.35	.84	.672	.47
645-550-1307F	550-1307F	B	Green	1.8	2	1.8	1.35	.84	.672	.47
Single, High Efficiency, Right Angle										
645-550-2205F	550-2205F	A	Green	2.1	10	10	1.12	.698	.558	.391
645-550-2305F	550-2305F	A	Yellow	2.1	10	6.3	1.11	.698	.558	.391
645-550-2405F	550-2405F	A	Red	2.2	10	7	1.12	.698	.558	.391
645-550-2207F	550-2207F	B	Green	2.1	10	10.0	1.03	.661	.433	.342
645-550-2307F	550-2307F	B	Yellow	2.1	10	6.3	1.12	.698	.558	.391
645-550-2407F	550-2407F	B	Red	2.2	10	7.0	1.02	.655	.429	.339
645-550-2507F	550-2507F	B	Orange	1.9	10	7	1.12	.698	.558	.391
Single, Superbright, Right Angle										
645-550-5107F	550-5107F	B	Red	2.1	20	34.0	.99	.632	.414	.327
645-550-5207F	550-5207F	B	Green	2.2	20	34.0	.99	.632	.414	.327
645-550-5307F	550-5307F	B	Yellow	2.2	20	34.0	.99	.632	.414	.327
645-550-5507F	550-5507F	B	Red	2.2	20	125	1.43	.895	.716	.501
645-550-5607F	550-5607F	B	Green	2.3	20	120	1.43	.895	.716	.501
645-550-5707F	550-5707F	B	Yellow	2.2	20	140	1.43	.895	.716	.501
645-550-5605F	550-5605F	A	Green	2.3	20	120	1.43	.895	.716	.501
645-550-5505F	550-5505F	A	Red	2.2	20	125	1.43	.895	.716	.501
Single, Bi-Color, Offset Right Angle										
645-550-3507F	550-3507F	C	Red/Green	2.1/2.3	10	5/8	2.63	1.73	1.35	1.03
Single, In-Line, Right Angle										
645-550-5105F	550-5105F	A	Red	2.1	20	34	1.35	.84	.672	.47
645-550-5205F	550-5205F	A	Green	2.2	20	34	1.35	.84	.672	.47
645-550-5305F	550-5305F	A	Yellow	2.2	20	34	1.35	.84	.672	.47
Single, Bi-Color, Right Angle										
645-550-3007F	550-3007F	B	Red/Green	1.8/2.1	20	90/40	1.92	1.26	.985	.752
645-550-3008F	550-3008F	D	Red/Green	1.8/2.1	20	90/40	2.63	1.73	1.35	1.03
645-550-3005F	550-3005F	A	Red/Green	1.8/2.1	20	90/40	1.92	1.26	.985	.752
645-550-3509F	550-3509F	E	Red/Green	2.1/2.3	10	5/8	2.63	1.73	1.35	1.03
Bi-Level, General Purpose, High Efficiency										
645-552-0211F	552-0211F	F	Red	2.2	10	7	1.80	1.12	.898	.629
645-552-0222F	552-0222F	F	Green	2.1	10	10	1.80	1.12	.898	.629
645-552-0233F	552-0233F	F	Yellow	2.1	10	6.3	2.00	1.31	1.02	.785
645-552-222-100F	552-222-100F	G	Green	2.2	20	110	2.20	1.44	1.13	.862
Bi-Level, General Purpose, Bi-Color										
645-552-0711F	552-0711F	F	Red/Green	1.8/2.1	20	90/40	2.49	1.64	1.28	.978
645-552-0744F	552-0744F	F	Yellow/Green	2.1/2.1	20	8.7/8.7	2.94	1.93	1.51	1.15
645-552-3511F	552-3511F	H	Red/Green	2.1/2.3	10	5/8	4.20	2.94	2.52	1.86

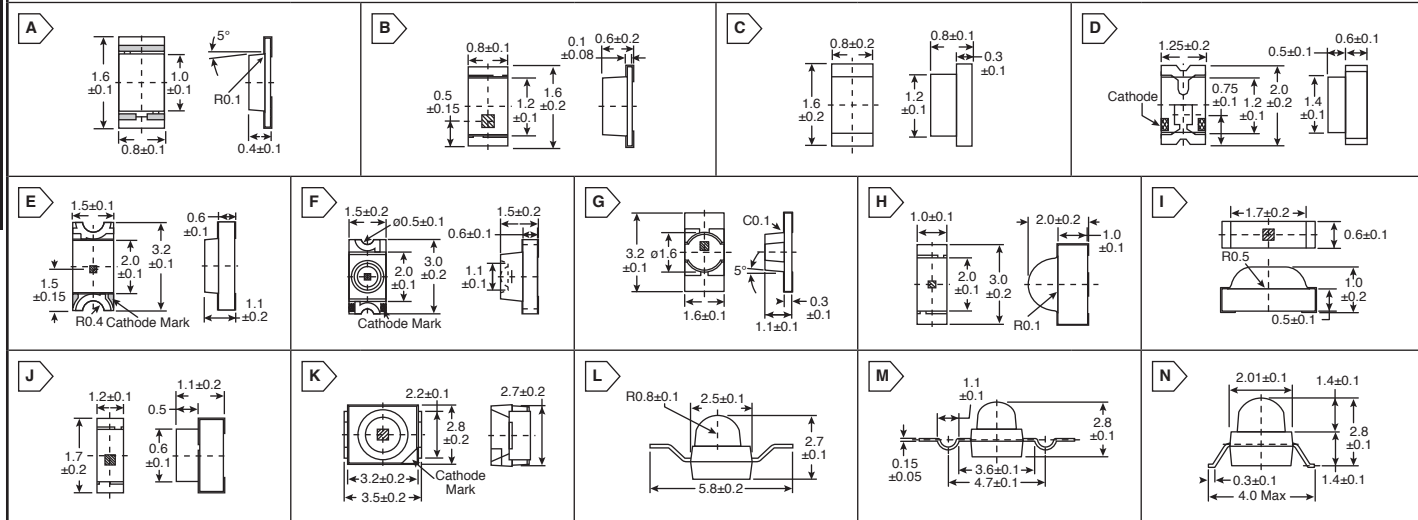
BI-LEVEL LED INDICATORS

MOUSER STOCK NO.	Dialight Part No.	Fig.	Color	V _F	mA	mcd	Price Each			
							1	10	100	1000
High Efficiency										
645-553-0111-300F	553-0111-300F	I	Red	2	10	10	2.00	1.31	1.03	.785
645-553-0122-300F	553-0122-300F	I	Green	2.1	10	16	2.00	1.31	1.03	.785
645-553-0133-300F	553-0133-300F	I	Yellow	2.1	10	6.3	2.00	1.31	1.02	.785
645-553-0122F	553-0122F	J	Green	2.1	10	16	1.78	1.17	.916	.70
645-553-0133F	553-0133F	J	Yellow	2.1	10	6.3	2.00	1.31	1.03	.785
Low Current										
645-553-0222-300F	553-0222-300F	I	Green	1.8	2	1.6	2.20	1.44	1.13	.862
645-553-0211F	553-0211F	J	Red	1.8	2	1.8	2.20	1.44	1.13	.862
645-553-0222F	553-0222F	J	Green	1.8	2	1.6	2.20	1.44	1.13	.862
645-553-0233F	553-0233F	J	Yellow	1.9	2	1.6	2.20	1.44	1.13	.862
With Integral Resistor										
645-553-0311-300F	553-0311-300F	I	Red	5	10	4	2.35	1.54	1.21	.924
645-553-0322-300F	553-0322-300F	I	Green	5	12	8	2.36	1.55	1.21	.924
645-553-0333-300F	553-0333-300F	I	Yellow	5	10	8	2.35	1.54	1.21	.924
645-553-0333F	553-0333F	J	Yellow	5	10	8	2.35	1.54	1.21	.924
Bi-Color										
645-553-0711-300F	553-0711-300F	I	Orange	2	10	5	2.94	1.93	1.51	1.15
645-553-0744-300F	553-0744-300F	I	Yellow/Green	2.1/2.1	10	4.3/6.3	2.65	1.74	1.36	1.04
645-553-0711F	553-0711F	J	Red/Green	2/2	10	5/5	2.94	1.93	1.51	1.15
645-553-0744F	553-0744F	J	Yellow/Green	2.1/2.1	10	4.3/6.3	2.94	1.93	1.51	1.15
High Density, Narrow										
645-569-0111-100F	569-0111-100F	K	Red	2.2	10	10	2.29	1.50	1.17	.899
645-569-0112-200F	569-0112-200F	K	Green	2.3	10	8.5	2.16	1.42	1.11	.847
645-569-0113-300F	569-0113-300F	K	Yellow	2.2	10	10	2.29	1.50	1.18	.899
High Density, Dual										
645-569-0101-111F	569-0101-111F	L	Red	2.2	10	10	3.03	2.12	1.81	1.34
645-569-0102-222F	569-0102-222F	L	Green	2.3	10	8.5	3.34	2.19	1.71	1.31
645-569-0103-333F	569-0103-333F	L	Yellow	2.2	10	10	3.02	2.11	1.81	1.34
645-569-0107-777F	569-0107-777F	L	Orange	2.2	10	6.5	3.02	2.11	1.81	1.34



RoHS Compliant This page of product is RoHS compliant.

DIMENSIONS: mm



SMD LEDs

For quantities greater than listed, call for quote.

MOUSER STOCK NO.	Everlight Part No.	Fig.	Color		Wavelength	Iv(mcd)	Angle	Price Each			
			Emitted	Lens				1	100	500	1000
0603 Low Profile SMD LEDs											
638-19217Y5CP1Q23	EL-19-217Y5C-AP1Q2/3T	A	Yellow	Water Clear	589	75	120°	.36	.139	.068	.053
638-19217BHCAN1P23	EL-19-217/BHC-AN1P2/3T	A	Blue	Water Clear	470	40	120°	.54	.225	.126	.099
638-19217W1DNP3Y3	EL-19-217/W1D-ANPHY3/T	A	White	Yellow Diffused	470	40	130°	1.16	.654	.494	.406
638-19215UYCS530	EL-19-215UYC/S530-A2/TR8	B	Yellow	Water Clear	589	39	120°	.40	.165	.089	.073
638-1921UBCC430	EL-19-21UBC/C430/TR8	B	Blue	Water Clear	466	18	120°	.61	.343	.257	.202
0603 SMD LEDs											
638-192SURCS530-A2	EL-19-21SURC/S530-A2/TR8	C	Hyper Red	Water Clear	624	39	100°	.45	.187	.10	.082
638-192UYCS530-A2	EL-19-21UYC/S530-A2/TR8	C	Yellow	Water Clear	589	40	100°	.45	.187	.10	.082
638-192VGC	EL-19-21VGC/TR8	C	Green	Water Clear	571	12.5	100°	.43	.18	.097	.08
638-192BHC-AN1P23T	EL-19-21/BHC-AN1P2/3T	C	Blue	Water Clear	470	40	100°	.47	.196	.11	.086
0805 SMD LEDs											
638-172SURCS530-A2	EL-17-21SURC/S530-A2/TR8	D	Hyper Red	Water Clear	624	42	140°	.45	.187	.10	.082
638-172UYCS530-A2	EL-17-21UYC/S530-A2/TR8	D	Yellow	Water Clear	589	43	140°	.52	.202	.098	.078
638-172VGC	EL-17-21VGC/TR8	D	Green	Water Clear	571	10	140°	.41	.17	.091	.075
638-172BHC-AN1P23T	EL-17-21/BHC-AN1P2/3T	D	Blue	Water Clear	470	45	140°	.48	.201	.108	.089
638-172UBCC430	EL-17-21UBC/C430/TR8	D	Blue	Water Clear	466	20	140°	.59	.332	.249	.196
1206 SMD LEDs											
638-152SURCS530-A2	EL-15-21SURC/S530-A2/TR8	E	Hyper Red	Water Clear	624	38	130°	.44	.185	.104	.081
638-152UYCS530-A2	EL-15-21UYC/S530-A2/TR8	E	Yellow	Water Clear	589	39	130°	.44	.185	.104	.081
638-152VGC	EL-15-21VGC/TR8	E	Green	Water Clear	571	13	130°	.45	.189	.106	.083
638-152BHC-AN1P22T	EL-15-21/BHC-AN1P2/2T	E	Blue	Water Clear	470	40	130°	.47	.196	.11	.086
1206 SMD LEDs With Inner Lens											
638-121SURCS530A28	EL-11-21SURC/S530-A2/TR8	F	Hyper Red	Water Clear	624	71	60°	.48	.202	.109	.089
638-1121UYCS530A28	EL-11-21UYC/S530-A2/TR8	F	Yellow	Water Clear	589	73	60°	.48	.202	.109	.089
638-11-21VGC/TR8	EL-11-21VGC/TR8	F	Green	Water Clear	571	35	60°	.42	.211	.157	.12
1206 SMD LEDs Reverse Mount											
638-2421UYCS530A28	EL-24-21UYC/S530-A2/TR8	G	Yellow	Water Clear	589	41	130°	.54	.226	.127	.10
638-2421UBCC430TR8	EL-24-21UBC/C430/TR8	G	Blue	Water Clear	466	18	130°	.65	.364	.272	.214
1206 SMD LEDs Reverse Mount With Inner Lens											
638-251SURCS530A28	EL-25-21SURC/S530-A2/TR8	G	Hyper Red	Water Clear	624	44	60°	.52	.217	.122	.096
638-251UYCS530A28	EL-25-21UYC/S530-A2/TR8	G	Yellow	Water Clear	589	45	60°	.52	.217	.122	.096
638-2521UBCC430TR8	EL-25-21UBC/C430/TR8	G	Blue	Water Clear	466	20	60°	.64	.36	.27	.212
1206 SMD LEDs Right Angle											
638-1221BHCAN192C	EL-12-21/BHC-AN192/2C	H	Blue	Water Clear	470	45	100°	.49	.248	.184	.142
SMD LEDs Right Angle											
638-215SURCS530A28	EL-12-215SURC/S530-A2/TR8	I	Hyper Red	Water Clear	624	48	130°	.43	.182	.098	.08
638-1215UYCS530A28	EL-12-215UYC/S530-A2/TR8	I	Yellow	Water Clear	589	49	130°	.43	.182	.098	.08
638-2721UYCS530A28	EL-27-21UYC/S530-A2/TR8	J	Yellow	Water Clear	589	34	130°	.42	.176	.095	.078
638-271SYGCS530E18	EL-27-21SYGC/S530-E1/TR8	J	Yellow Green	Water Clear	573	16	130°	.41	.171	.092	.075
638-2721BHCAN1P23C	EL-27-21/BHC-AN1P2/3C	J	Blue	Water Clear	470	40	130°	.45	.188	.101	.083
PLCC SMD LEDs											
638-672SURCS530-A2	EL-67-21SURC/S530-A2/TR8	K	Hyper Red	Water Clear	624	65	120°	.51	.255	.189	.146
638-672UYCS530A28	EL-67-21UYC/S530-A2/TR8	K	Yellow Orange	Water Clear	605	67	120°	.54	.273	.202	.156
638-672UYCS530-A2	EL-67-21UYC/S530-A2/TR8	K	Yellow	Water Clear	589	56	120°	.51	.255	.189	.146
638-672VGC	EL-67-21VGC/TR8	K	Green	Water Clear	571	25	120°	.51	.21	.12	.09
638-672UWCS400-A4	EL-67-21UWC/S400-A4/TR8	K	White	Yellow Diffused	-	290	120°	1.36	.764	.577	.475
1.9mm Round Subminiature LEDs With Z Lead Bend											
638-912SURCS530	EL-91-21SURC/S530-A2/TR10	L	Hyper Red	Water Clear	624	482	25°	.37	.185	.137	.106
638-952SURCA2TR10	EL-95-21SURC/S530-A2/TR10	L	Hyper Red	Water Clear	624	482	25°	.37	.185	.137	.106
638-912UYCS530	EL-91-21UYC/S530-A2/TR10	L	Yellow	Water Clear	589	496	25°	.37	.185	.137	.106
638-952VGC TR10	EL-95-21VGC/TR10	L	Green	Water Clear	571	50	25°	.43	.218	.162	.125
638-952UBCC430TR10	EL-95-21UBC/C430/TR10	L	Blue	Water Clear	466	203	25°	.71	.395	.296	.233
1.9mm Round Subminiature LEDs With Yoke Lead Bend											
638-952SURCA2TR9	EL-95-21SURC/S530-A2/TR9	M	Hyper Red	Water Clear	624	482	25°	.37	.185	.137	.106
638-952UYCA2TR9	EL-95-21UYC/S530-A2/TR9	M	Yellow	Water Clear	589	496	25°	.37	.185	.137	.106
638-952VGC TR9	EL-95-21VGC/TR9	M	Green	Water Clear	571	50	25°	.49	.245	.182	.14
638-952UBCC430TR9	EL-95-21UBC/C430/TR9	M	Blue	Water Clear	466	203	25°	.71	.395	.296	.233
1.9mm Round Subminiature LEDs With Gull Wing Lead Bend											
638-952SURCA2TR7	EL-95-21SURC/S530-A2/TR7	N	Hyper Red	Water Clear	624	482	25°	.37	.185	.137	.106
638-952UYCA2TR7	EL-95-21UYC/S530-A2/TR7	N	Yellow	Water Clear	589	496	25°	.37	.185	.137	.106
638-952VGC TR7	EL-95-21VGC/TR7	N	Green	Water Clear	571	50	25°	.43	.218	.162	.125
638-952UBCC430TR7	EL-95-21UBC/C430/TR7	N	Blue	Water Clear	466	203	25°	.71	.395	.296	.233

LED Lamps



This page of product is RoHS compliant.

TOSHIBA
Leading Innovation >>>

LETERAS™ WHITE LEDS

For quantities greater than listed, call for quote.

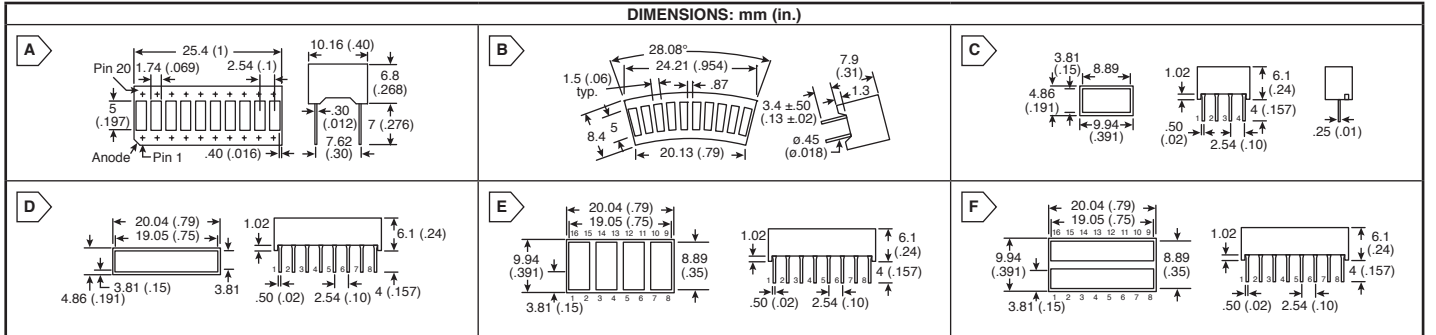
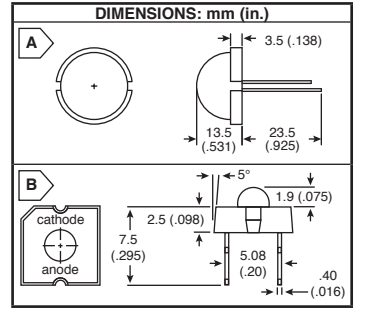
MOUSER STOCK NO.	Toshiba Part No.	Illumination Color	Color Temperature (K)	Color Rendering Index - CR	Luminous Flux/Radiant Flux (lm)	Viewing Angle (°)	Forward Voltage (V)	Price Each		
								1	10	100
TL1Lx										
757-TL1L2-LL1L	TL1L2-LL1,L	Warm White	2700	80	104	120	2.85	1.66	1.33	1.02
757-TL1L3-LL1L	TL1L3-LL1,L	Warm White	2700	80	112	100	2.85	1.57	1.27	1.02
757-TL1L2-LW1L	TL1L2-LW1,L	Warm White	3000	80	111	120	2.85	1.66	1.33	1.02
757-TL1L3-LW1L	TL1L3-LW1,L	Warm White	3000	80	119	100	2.85	1.57	1.27	1.02
757-TL1L2-WH1L	TL1L2-WH1,L	Neutral White	4000	80	120	120	2.85	1.66	1.33	1.02
757-TL1L3-WH1L	TL1L3-WH1,L	Neutral White	4000	80	129	100	2.85	1.57	1.27	1.02
757-TL1L2-NW0L	TL1L2-NW0,L	Cool White	5000	70	135	120	2.85	1.66	1.33	1.02
757-TL1L3-NW0L	TL1L3-NW0,L	Cool White	5000	70	145	100	2.85	1.57	1.27	1.02
757-TL1L2-NW1L	TL1L2-NW1,L	Cool White	5000	80	128	120	2.85	1.66	1.33	1.02
757-TL1L3-NW1L	TL1L3-NW1,L	Cool White	5000	80	135	100	2.85	1.57	1.27	1.02
757-TL1L3-NT0L	TL1L3-NT0,L	Cool White	5700	70	145	100	2.85	1.57	1.27	1.02
757-TL1L2-DW0L	TL1L2-DW0,L	Cool White	6500	70	135	120	2.85	1.66	1.33	1.02
757-TL1L3-DW0L	TL1L3-DW0,L	Cool White	6500	70	145	100	2.85	1.57	1.27	1.02
TL1Fx										
757-TL1F2-WH1L	TL1F2-WH1,L	Neutral White	4000	80	120	120	2.85	.99	.771	.499
757-TL1F2-NW0L	TL1F2-NW0,L	Cool White	5000	70	135	120	2.85	.99	.771	.499
757-TL1F2-NW1L	TL1F2-NW1,L	Cool White	5000	80	128	120	2.85	.99	.771	.499
757-TL1F2-DW0L	TL1F2-DW0,L	Cool White	6500	70	135	120	2.85	.99	.771	.499
TL2FL										
757-TL2FL-LL1L	TL2FL-LL1,L	Warm White	2700	80	19.6	120	2.82	.47	.266	.114
757-TL2FL-LW1L	TL2FL-LW1,L	Warm White	3000	80	20.4	120	2.82	.47	.266	.114
757-TL2FL-WH1L	TL2FL-WH1,L	Neutral White	4000	80	22.9	120	2.82	.47	.266	.114
757-TL2FL-NW0L	TL2FL-NW0,L	Cool White	5000	70	25.4	120	2.82	.47	.266	.114
757-TL2FL-NW1L	TL2FL-NW1,L	Cool White	5000	80	22.9	120	2.82	.47	.266	.114
757-TL2FL-DW1L	TL2FL-DW1,L	Cool White	6500	80	22.9	120	2.82	.47	.266	.114
TL3GB										
757-TL3GB-LL1L	TL3GB-LL1,L	Warm White	2700	80	59.3	120	5.76	.48	.357	.224
757-TL3GB-LW1L	TL3GB-LW1,L	Warm White	3000	80	61.1	120	5.76	.48	.357	.224
757-TL3GB-WH1L	TL3GB-WH1,L	Neutral White	4000	80	66.3	120	5.76	.48	.357	.224
757-TL3GB-NW0L	TL3GB-NW0,L	Cool White	5000	70	72	120	5.76	.48	.357	.224
757-TL3GB-NW1L	TL3GB-NW1,L	Cool White	5000	80	68	120	5.76	.48	.357	.224
757-TL3GB-DW1L	TL3GB-DW1,L	Cool White	6500	80	68	120	5.76	.48	.357	.224

LUMEX HIGH BRIGHTNESS LEDS

Creating LED solutions together.

For quantities greater than listed, call for quote.

MOUSER STOCK NO.	Lumex Part No.	Fig.	Color		Peak Wavelength (nm)	Vf (V) Typ.	If (mA) Max.	IO mcd	Viewing Angle	Price Each			
			LED	Lens						1	100	500	1000
20mm													
696-SSL-LX20R6GD	SSL-LX20R6GD	A	Green	Green Diffused	565	6	25	25	120°	1.95	1.14	1.08	1.01
696-SSL-LX20R6ID	SSL-LX20R6ID	A	Red	Red Diffused	635	5.7	25	35	120°	3.08	2.57	2.05	1.80
696-SSL-LX20R6SRD	SSL-LX20R6SRD	A	Red	Green Diffused	574	6.6	25	120	120°	2.28	1.51	1.48	1.45
696-SSL-LX20R6YD	SSL-LX20R6YD	A	Yellow	Yellow Diffused	590	6	25	150	120°	1.70	1.28	1.13	1.10
7.6mm Squared													
696-SSL-LX30448SYC	SSL-LX30448SYC	B	Super Yellow	Water Clear	590	2.25	70	800	50°	.77	.689	.622	.544

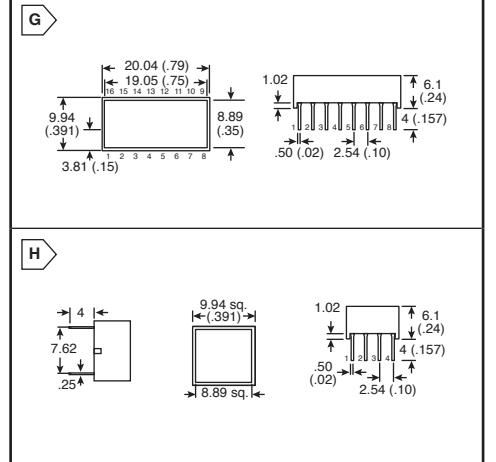


LUMEX LIGHT BARS

Creating LED solutions together.

For quantities greater than listed, call for quote.

MOUSER STOCK NO.	Lumex Part No.	Fig.	Emitting Color	Vf (V) Typ.	If (mA) Max.	IO mcd	Price Each		
							1	100	500
696-SSA-LXB10GW	SSA-LXB10GW-GF/LP	A	Green	2.1	25	10	2.07	1.18	1.00
696-SSA-LXB10HW	SSA-LXB10HW-GF/LP	A	Red	2.1	30	4	2.04	1.19	1.06
696-SSA-LXB10IW	SSA-LXB10IW-GF/LP	A	Red	2.1	30	10	2.43	1.41	1.25
696-LXB10SRW-10652	SSA-LXB10SRW-10652	B	Red	1.7	30	40	6.99	5.32	5.09
696-SSB-LX2300IW	SSB-LX2300IW	C	Red	2.1	30	25	1.01	.626	.532
696-SSB-LX2350IW	SSB-LX2350IW	D	Red	2.1	30	50	1.22	.752	.668
696-SSB-LX2400YW	SSB-LX2400YW	C	Yellow	2.1	30	18	1.41	.946	.804
696-SSB-LX2450YW	SSB-LX2450YW	D	Yellow	2.1	30	38	1.47	.983	.744
696-SSB-LX2500SGW	SSB-LX2500SGW	C	Green	2.1	25	25	.99	.74	.632
696-SSB-LX2620IW	SSB-LX2620IW	E	Red	2.1	30	25	3.65	2.45	2.22
696-SSB-LX2635IW	SSB-LX2635IW	F	Red	2	30	50	2.75	2.45	2.36
696-SSB-LX2685IW	SSB-LX2685IW	G	Red	2.1	30	80	2.52	1.61	1.46
696-SSB-LX2720YW	SSB-LX2720YW	E	Yellow	2.1	30	18	3.50	2.11	1.92
696-SSB-LX2735YW	SSB-LX2735YW	F	Yellow	2.1	30	40	3.86	3.23	2.57
696-SSB-LX2755YW	SSB-LX2755YW	H	Yellow	2.1	30	35	1.78	1.07	.952
696-SSB-LX2785YW	SSB-LX2785YW	G	Yellow	2.1	30	70	3.47	2.01	1.72
696-SSB-LX2950IYW	SSB-LX2950IYW	H	Red/Yel	2.1	30	25	3.38	2.16	1.96
696-SSB-LX2965IGW	SSB-LX2965IGW	H	Red/Grm	2.1	30/25	25	2.82	1.64	1.46
696-SSB-LXB100SRW	SSB-LXB100SRW	D	Red	1.7	30	80	2.10	1.55	1.40
696-SSB-LXE100SRW	SSB-LXE100SRW	E	Red	1.7	30	40	2.96	1.97	1.48
696-SSB-LXH100SRW	SSB-LXH100SRW	G	Red	1.7	30	150	2.83	1.78	1.58



INSPIRED LED Arrays, Modules and Light Bars

inspired LED

LED Indication

UNDER CABINET LIGHT PANELS

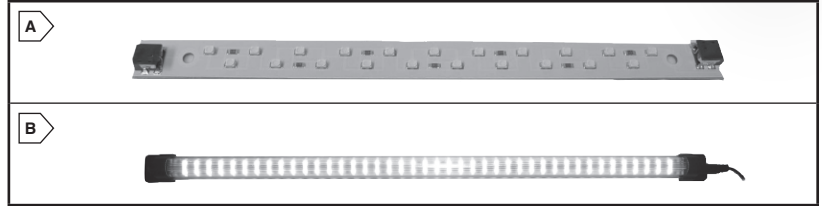
Light Panels are ideally suited for under the counter task lighting applications, kitchen lighting, jewelry lighting, decorative lighting and reading lighting. Light Panels are brushed aluminum in color to blend with today's kitchen styles. Components are sold as a kit and can also be purchased individually to create a system.

Features:

- Easy Installation
- Low Cost Modular Design
- Highly Efficient Power Supply
- Both Warm and Cool Color Light Options
- Low Energy Consumption
- Built in On-Off Switch for 1 Watt Light Panel
- Long Life:
 - 1 Watt - 80,000HRs
 - 2 Watt - 100,000HRs
- UV and IR free



RoHS Compliant



LED Panels

MOUSER STOCK NO.	inspired LED Part No.	Fig.	Wattage	Color	Color Temperature	Lumens (lm)	Overall Length (in.)	Description	Price Each	
									1	10
901-4783	4783	A	3	Warm White	3200K	180	16.75	42 LED Light Bars	23.00	19.32
901-4784	4784	A	3	Cool White	6500K	180	16.75	42 LED Light Bars	23.00	19.32
901-4823	4823	A	2	Warm White	3200K	23	8.5	Single, Super Bright, 21 LED Panel	13.00	11.70
901-4824	4824	A	2	Cool White	6500K	38	8.5	Single, Super Bright, 21 LED Panel	13.00	11.70
901-4865	4865	B	1.5	Warm White	3200K	55	10	LED Light Bars	15.00	13.00
901-4866	4866	B	1.5	Cool White	6500K	90	10	LED Light Bars	15.00	13.00
901-4867	4867	B	3	Warm White	3200K	55	18	LED Light Bars	25.00	23.07
901-4868	4868	B	3	Cool White	6500K	180	18	LED Light Bars	25.00	23.07

For quantities greater than listed, call for quote.

LED Panel Starter Kits

MOUSER STOCK NO.	inspired LED Part No.	Wattage	Color	Color Temperature	Lumens (lm)	LED Panel in Kit	No. of LED Panels	Power Supply	Kit Includes				Price Each	
									Cable Clamps	Mounting Screws	Interconnect Cables	Remote Switch	1	10
901-4831	4831	2	Warm White	3200K	23	4823	1	None	2	2	1 - 3'	None	13.00	12.58
901-4832	4832	2	Cool White	6500K	38	4824	1	None	2	2	1 - 3'	None	13.00	12.58
901-4825	4825	2	Warm White	3200K	23	4823	1	1	2	4	1 - 3'	1	22.00	21.29
901-4826	4826	2	Cool White	6500K	38	4824	1	1	2	4	1 - 3'	1	22.00	21.29
901-4827	4827	2	Warm White	3200K	23	4823	3	1	8	8	3 - 3'	1	48.00	46.44
901-4830	4830	2	Cool White	6500K	38	4824	10	2	24	24	1 - 12', 1 - 6', 10 - 3'	2	149.00	144.16

For quantities greater than listed, call for quote.

LED Backlighting Kits

A TV Back Light from Inspired LED can reduce eye strain by providing bias lighting in the form of an easy to install adhesive backed LED Light Strip. Bias Lighting serves to moderate or bias the range of motion in the iris muscles in the eye, which limits the size of the pupil. The frequent and sometimes dramatic variation in picture brightness from scene to scene in video programs can cause eyestrain and fatigue in an otherwise dark display environment. Our TV Back Light will provide enough light for your eyes to get their color reference, and you'll find that pictures seem a little crisper and colors more vivid.

For quantities greater than listed, call for quote.

MOUSER STOCK NO.	inspired LED Part No.	Wattage	Color	Color Temperature	No. of LED Strip	Length of LED Strip (in.)	Power Supply	Cable	Cable Clamps	In-Line Switch	Description	Price Each	
												1	10
901-4835	4835	1 1/2	Cool White	6500K	1	28	1	1	1	1	28" for 37-42" Tablemount	31.50	30.48
901-4836	4836	1 3/4	Cool White	6500K	1	36	1	1	1	1	36" for 46-52" Tablemount	33.50	32.42
901-4838	4838	1 1/4	Cool White	6500K	2	15.5	1	2	3	1	15 1/2"x2 Kit for 46-52" Wallmount	43.50	42.09

ACCESSORIES

Interconnect Cables

Interconnect cables can be used to connect Light Panels together.

For quantities greater than listed, call for quote.

MOUSER STOCK NO.	inspired LED Part No.	Description	Price Each	
			1	10
901-4804	4804	4" Length, Can connect up to 10 (1W) or 6 (2W) Light Panels per Power Supply.	3.00	2.70
901-4771	4771	3" Length, Can connect up to 10 (1W) or 6 (2W) Light Panels per Power Supply.	5.00	4.50
901-4772	4772	6" Length, Can connect up to 10 (1W) or 6 (2W) Light Panels per Power Supply.	5.00	4.50
901-4773	4773	12" Length, Can connect up to 10 (1W) or 6 (2W) Light Panels per Power Supply.	7.00	6.30

Direct-Wire Convenience Box

For quantities greater than listed, call for quote.

MOUSER STOCK NO.	inspired LED Part No.	Description	Price Each	
			1	10
901-4808	4808	Converts hardware to outlet - 120VAC	15.00	13.50

Cable Clamp

For quantities greater than listed, call for quote.

901-4774	4774	Mount cables in Light Panel systems (10/pkg)	3.00	2.70
----------	------	--	------	------

Distribution and Power Control

For quantities greater than listed, call for quote.

901-4802	4802	6 Unit Power Distribution Block	8.00	7.20
In-Line Switches				
901-4775	4775	Remote	6.00	5.40
901-4821	4821	4-Position Dimmer (Black)	20.00	18.00

FLEX STRIPS WITHOUT CONNECTORS

Series:

- Bright Flex Strips - Ideal For Long Runs
- Super Bright Flex Strips - Designed For More Light
- Ultra Bright Flex Strips - High density light strip



RoHS Compliant

Features:

- Warm White, Cool White, Monochrome, Multi-Color
- 100,000 Hours
- UV and IR Free
- 12 Volts DC, Standardized Connectivity
- Adhesive Tape Backing

Luminous Flux:

- Warm White - 2.5lm
- Cool White - 4.1lm
- Red - 1.2lm
- Green - 1.2lm
- Blue - 1lm

Applications:

- Under Cabinet Lighting
- Kitchen Lighting
- Display Case Lighting
- Decorative Lighting
- Enclosure Lighting

MOUSER STOCK NO.	Inspired LED Part No.	Color	Color Temp/ Wavelength	Price Each		MOUSER STOCK NO.	Inspired LED Part No.	Price Each Reel
				1	6			
NB Series - Bright Flex - 1 Meter Strip (30 LEDs) = Qty 1								
901-NB-3200-CT	NB-3200-CT	Warm White	3200K	12.90	11.94	901-NB-3200-TR	NB-3200-TR	107.50
901-NB-6500-CT	NB-6500-CT	Cool White	6500K	10.75	9.95	901-NB-6500-TR	NB-6500-TR	129.00
901-NB-0625-CT	NB-0625-CT	Red	625nm	12.90	11.94	-----	-----	-
901-NB-0565-CT	NB-0565-CT	Green	565nm	12.90	11.94	-----	-----	-
901-NB-0465-CT	NB-0465-CT	Blue	465nm	12.90	11.94	-----	-----	-
901-NB-RGB-CT	NB-RGB-CT	RGB	625nm, 565nm, 465nm	19.35	17.92	901-NB-RGB-TR	NB-RGB-TR	180.00
SB Series - Super Bright Flex - 1 Meter Strip (60 LEDs) = Qty 1								
901-SB-3200-CT	SB-3200-CT	Warm White	3200K	15.48	14.34	901-SB-3200-TR	SB-3200-TR	149.00
901-SB-6500-CT	SB-6500-CT	Cool White	6500K	15.48	14.34	901-SB-6500-TR	SB-6500-TR	149.00
901-SB-0625-CT	SB-0625-CT	Red	625nm	15.48	14.34	901-SB-0625-TR	SB-0625-TR	149.00
901-SB-0565-CT	SB-0565-CT	Green	565nm	15.48	14.34	901-SB-0565-TR	SB-0565-TR	149.00
901-SB-0465-CT	SB-0465-CT	Blue	465nm	15.48	14.34	901-SB-0465-TR	SB-0465-TR	149.00
UB Series - Ultra Bright Flex - 1 Meter Strip (96 LEDs) = Qty 1								
901-UB-3200-CT	UB-3200-CT	Warm White	3200K	25.80	23.90	901-UB-3200-TR	UB-3200-TR	240.00
901-UB-6500-CT	UB-6500-CT	Cool White	6500K	25.80	23.90	901-UB-6500-TR	UB-6500-TR	240.00
901-UB-0465-CT	UB-0465-CT	Blue	465nm	25.80	23.89	901-UB-0465-TR	UB-0465-TR	240.00
901-DUB-3200-CT	DUB-3200-CT	Warm White	3200K	48.00	44.44	901-DUB-3200-TR	DUB-3200-TR	553.33
901-DUB-6500-CT	DUB-6500-CT	Cool White	6500K	48.00	44.44	901-DUB-6500-TR	DUB-6500-TR	553.33

For quantities greater than listed, call for quote.

ACCESSORIES FOR FLEX STRIPS

For quantities greater than listed, call for quote.

MOUSER STOCK NO.	Inspired LED Part No.	Description	Price Each	
			1	10
901-4841	4841	1 Amp, 12 Volt Power Supply	8.00	7.74
901-4775	4775	On - Off Switch	6.00	5.40
901-4793	4793	Flex Connectors, Pair for Both Ends	6.00	5.00
901-4802	4802	Distribution Connection Block	8.00	7.20
901-4804	4804	4 Inch Cable	3.00	2.70
901-4771	4771	3 Foot Cable	5.00	4.50
901-4772	4772	6 Foot Cable	5.00	4.50
901-4773	4773	12 Foot Cable	7.00	6.30
901-4774	4774	Cable Clamps (10 Pack)	3.00	2.70
901-4937	4937	5.5 x 2.1mm DC Connector	5.00	4.48
901-4938	4938	3.5 x 1.3mm DC Connector	6.00	5.00
901-4939	4939	24-21AWG Wire Termination w/2 pins	6.00	5.00
901-4808	4808	120VAC Convenience Box	15.00	13.50
901-5001	5001	4-pin Interface connectors	.50	.45
901-5003	5003	Right angle junction block	3.00	2.69
901-5004	5004	Four way junction block	4.00	3.58
901-5005	5005	20cm 4 cond. intercon. cable 26AWG	3.00	2.69
901-5006	5006	100cm 4 cond. intercon. cable 26AWG	4.00	3.58
901-5007	5007	250cm 4 cond. intercon. cable 26AWG	5.00	4.48
901-5008	5008	20cm 4 cond. intercon. cable 22AWG	4.00	3.58
901-5009	5009	100cm cond. intercon. cable 22AWG	5.00	4.48
901-5010	5010	250cm 4 cond. intercon. cable 22AWG	6.00	5.37
901-5011	5011	20cm 4 cond. intercon. cable with end stripped 22AWG	4.00	3.58
901-5012	5012	Mini RGB Controller	7.00	6.27
901-5013	5013	RGB Amplifier	7.00	6.27
901-5014	5014	RF Wireless RGB Controller	45.00	40.30
901-5016	5016	RGB Musical Controller	40.00	35.82
901-5017	5017	Wifi Color Changing Dimming Cont.	68.00	60.90

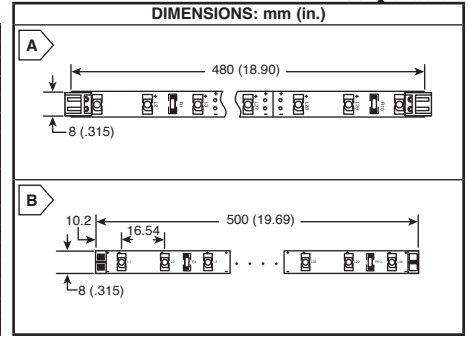
JKL COMPONENTS LED Bars and LED Based Lamps



RoHS Compliant This page of product is RoHS compliant.

LED BARS AND RIBBON

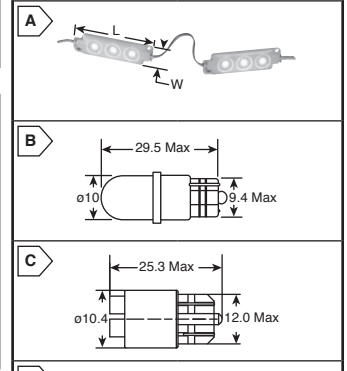
MOUSER STOCK NO.	JKL Components Part No.	Fig.	Color	Luminous Flux (lm)	Width (mm)	Length (mm)	Voltage (VDC)	Current (mA)	Price Each					
									1	10	50	100		
LED Rigid Bars														
560-ZRS-8480-WW	ZRS-8480-WW	A	Warm White	70	8	480	12	200	15.96	14.80	13.64	12.10		
560-ZRS-8480-CW	ZRS-8480-CW	A	Cool White	90	8	480	12	200	15.96	14.80	13.64	12.10		
LED Flexible Ribbon														
560-ZFS-8500-WWSEC	ZFS-8500-WW/SEC	B	Warm White	70	8	500	12	200	17.50	15.10				
560-ZFS-84000-CW	ZFS-84000-CW	B	Cool White	2200	8	4000	24	1440	180.00	144.00				
560-ZFS-84000-NW	ZFS-84000-NW	B	Neutral White	2070	8	4000	24	1440	180.00	144.00				
560-ZFS-84000-WW	ZFS-84000-WW	B	Warm White	1940	8	4000	24	1440	180.00	144.00				
560-ZFS-10504-RGB	ZFS-10504-RGB	B	RGB	95/330/95	10	5040	12	3000	155.00	124.00				
560-ZFS-85000HD-B	ZFS-85000HD-B	B	Blue	1820	8	5000	12	4000	136.66	109.30				
560-ZFS-85000HD-R	ZFS-85000HD-R	B	Red	1820	8	5000	12	4000	136.66	109.30				
560-ZFS-85020WR-CW	ZFS-85020WR-CW	B	Cool White	1900	13	5000	12	4000	150.50	120.40				
560-ZFS-85020WR-WW	ZFS-85020WR-WW	B	Warm White	1900	13	5000	12	4000	150.50	120.40				
560-ZFS-85000HD-CW	ZFS-85000HD-CW	B	Cool White	1800	8	500	12	4400	140.00	131.25				
560-ZFS-85000HD-WW	ZFS-85000HD-WW	B	Warm White	1650	8	500	12	4400	140.00	131.25				



LED LIGHTING FIXTURES

MOUSER STOCK NO.	JKL Components Part No.	Fig.	Color	Luminous Flux (lm)	Width (mm)	Length (mm)	Voltage (VDC)	Current (mA)	Price Each			
									1	10	50	100
560-ZM-1968-CW	ZM-1968-CW	A	Cool White	43	19.6	68.2	12	45	4.59	3.96	3.74	3.51
560-ZM-3354-CW	ZM-3354-CW	A	Cool White	40	33.2	54.8	12	89	4.93	4.26	4.02	3.77

DIMENSIONS: mm



T-3 1/4 WEDGE-BASED LED

MOUSER STOCK NO.	JKL Components Part No.	Fig.	Color	Wavelength (nm)	Luminous Flux (lm)	Voltage (VDC)	Current (mA)	Price Each			
								1	10	50	100
560-LE-0503-03G	LE-0503-03G	B	Green	525	2	12	15	1.28	1.02	.92	.84
560-LE-0503-03R	LE-0503-03R	B	Red	630	0.7	12	15	.73	.58	.52	.48
560-LE-0503-03Y	LE-0503-03Y	B	Yellow	595	0.7	12	15	.73	.58	.52	.48
560-LE-0503-03B	LE-0503-03B	B	Blue	470	0.7	12	15	1.28	1.02	.92	.84
560-LE-0503-03W	LE-0503-03W	B	White	-	2.5	12	15	1.28	1.02	.92	.84
560-LE-0509-02G	LE-0509-02G	B	Green	525	2	24	20	1.70	1.36	1.22	1.12
560-LE-0509-02R	LE-0509-02R	B	Red	630	0.7	24	20	.98	.78	.70	.64
560-LE-0509-02Y	LE-0509-02Y	B	Yellow	595	0.7	24	20	.98	.78	.70	.64
560-LE-0509-02B	LE-0509-02B	B	Blue	470	0.7	24	20	1.70	1.36	1.22	1.12
560-LE-0509-02W	LE-0509-02W	B	White	-	2.5	24	20	1.70	1.36	1.22	1.12
560-LE-0903-02W	LE-0903-02W	C	White	-	22	12	15	3.37	2.77	2.57	2.37
560-LE-0903-04W	LE-0903-04W	C	White	-	22	24	20	3.37	2.77	2.57	2.37
560-LEFW-M12	LEFW-M12	D	White	-	25	12	100	5.00	4.39	3.97	3.85

T-1 3/4 WEDGE-BASED LED

MOUSER STOCK NO.	JKL Components Part No.	Fig.	Color	Wavelength (nm)	Luminous Flux (lm)	Voltage (VDC)	Current (mA)	Price Each			
								1	10	50	100
560-LE-0504-01R	LE-0504-01R	E	Red	630	1.0	12	15	.88	.70	.63	.58
560-LE-0504-01Y	LE-0504-01Y	E	Yellow	595	1.0	12	15	.73	.58	.52	.48
560-LE-0504-01G	LE-0504-01G	E	Green	525	2.0	12	15	1.28	1.02	.92	.84
560-LE-0504-01B	LE-0504-01B	E	Blue	470	1.0	12	15	1.28	1.02	.92	.84
560-LE-0504-01W	LE-0504-01W	E	White	-	1.0	12	15	1.28	1.02	.92	.84
560-LE-0509-01R	LE-0509-01R	E	Red	630	1.0	24	15	.88	.70	.63	.58
560-LE-0509-01Y	LE-0509-01Y	E	Yellow	595	1.0	24	15	1.70	1.36	1.22	1.12
560-LE-0509-01G	LE-0509-01G	E	Green	525	2.0	24	15	1.28	1.02	.92	.84
560-LE-0509-01B	LE-0509-01B	E	Blue	470	1.0	24	15	1.70	1.36	1.22	1.12
560-LE-0509-01W	LE-0509-01W	E	White	-	2.0	24	15	1.70	1.36	1.22	1.12
560-LEFW-F12	LEFW-F12	E	White	-	21	12	50	2.56	2.25	2.03	1.97

T-1 3/4 MIDGET GROOVE-BASED LED

MOUSER STOCK NO.	JKL Components Part No.	Fig.	Color	Wavelength (nm)	Luminous Flux (lm)	Voltage (VDC)	Current (mA)	Price Each			
								1	10	50	100
560-LE-MF-12W	LE-MF-12W	F	White	-	2.5	12	15	3.44	2.83	2.62	2.42
560-LE-MF-24W	LE-MF-24W	F	White	-	2.5	24	15	3.44	2.83	2.62	2.42
560-LE-MG-12W	LE-MG-12W	F	White	-	3.0	12	12	3.30	2.71	2.51	2.32
560-LE-MG-24W	LE-MG-24W	F	White	-	3.5	24	14	3.30	2.71	2.51	2.32

T-1 3/4 MIDGET SCREW-BASED LED

MOUSER STOCK NO.	JKL Components Part No.	Fig.	Color	Wavelength (nm)	Luminous Flux (lm)	Voltage (VDC)	Current (mA)	Price Each			
								1	10	50	100
560-LE-MS-24W	LE-MS-24W	G	White	-	8.3	6	9.0	3.39	2.79	2.59	2.39
560-LE-MS-6W	LE-MS-6W	G	White	-	3	12	30	3.39	2.79	2.59	2.39
560-LE-MS-12W	LE-MS-12W	G	White	-	9	24	27	3.39	2.79	2.59	2.39

FESTOON BASED LED LAMP REPLACEMENTS

MOUSER STOCK NO.	JKL Components Part No.	Fig.	Color	Wavelength (nm)	Luminous Flux (lm)	Voltage (VDC)	Current (mA)	Price Each			
								1	10	50	100
560-LE-0603-02R	LE-0603-02R	H	Red	630	2.0	12	20	3.03	2.42	2.18	2.00
560-LE-0603-02Y	LE-0603-02Y	H	Yellow	595	2.0	12	20	3.03	2.42	2.18	2.00
560-LE-0603-02G	LE-0603-02G	H	Green	525	9.0	12	20	5.80	4.64	4.18	3.83
560-LE-0603-02B	LE-0603-02B	H	Blue	470	2.0	12	20	5.80	4.64	4.18	3.83
560-LE-0603-02W	LE-0603-02W	H	White	-	10.0	12	20	5.80	4.64	4.18	3.83
560-LE-0909-11CW	LE-0909-11CW	H	White	-	45	12	45	6.89	5.50	4.84	4.63
560-LE-0909-11WW	LE-0909-11WW	H	White	-	40	12	45	6.89	5.50	4.84	4.63
560-LE-0909-14CW	LE-0909-14CW	H	White	-	45	12	45	6.89	5.50	4.84	4.63
560-LE-0909-14WW	LE-0909-14WW	H	White	-	40	12	45	6.89	5.50	4.84	4.63
560-LE-0603-04R	LE-0603-04R	H	Red	630	2.0	24	20	3.03	2.42	2.18	2.00
560-LE-0603-04Y	LE-0603-04Y	H	Yellow	595	2.0	24	20	3.03	2.42	2.18	2.00
560-LE-0603-04G	LE-0603-04G	H	Green	525	9.0	24	20	5.80	4.64	4.18	3.83
560-LE-0603-04B	LE-0603-04B	H	Blue	470	2.0	24	20	5.80	4.64	4.18	3.83
560-LE-0603-04W	LE-0603-04W	H	White	-	10.0	24	20	5.80	4.64	4.18	3.83

T-3 1/4 BAYONET-BASED LED

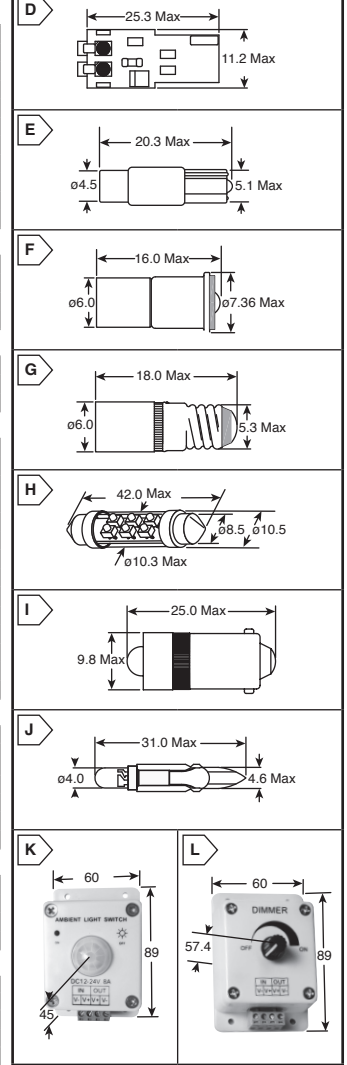
MOUSER STOCK NO.	JKL Components Part No.	Fig.	Color	Temp. Wavelength	Luminous Intensity (mcd)	Voltage (VDC)	Current (mA)	Price Each			
								1	10	50	100
560-LE-BA9S-6W	LE-BA9S-6W	I	White	6000K	13000	6	20	2.70	2.37	2.14	2.08
560-LE-BA9S-12W	LE-BA9S-12W	I	White	6000K	7000	12	20	3.28	2.69	2.49	2.30
560-LE-BA9S-24W	LE-BA9S-24W	I	White	6000K	7000	24	20	3.28	2.69	2.49	2.30
560-LE-BA9S-55W	LE-BA9S-55W	I	White	6000K	-	55	20	5.60	4.91	4.44	4.31

TELEPHONE SLIDE-BASED LED

MOUSER STOCK NO.	JKL Components Part No.	Fig.	Color	Wavelength (nm)	Luminous Flux (lm)	Voltage (VDC)	Current (mA)	Price Each			
								1	10	50	100
560-ZT-PSB-24W	ZT-PSB-24W	J	White	-	500	24	20	5.00	4.39	3.97	3.85
560-Z-T55-NW	Z-T55-NW	J	White	-	1200	36	20	4.00	3.29	3.05	2.82
560-Z-T55-G	Z-T55-G	J	Green	468nm	4250	36	20	4.00	3.29	3.05	2.82
560-Z-T55-R	Z-T55-R	J	Red	622nm	1000	36	20	3.30	2.89	2.62	2.54

LED POWER SUPPLIES

MOUSER STOCK NO.	JKL Components Part No.	Fig.	Input Voltage (VDC/VAC)	Mounting Style	Operation Mode	Output Voltage (V)	Output Current (mA)	Power (W)	Dimensions: mm	Price Each			
										L	W	H	1
560-ZCTR-04	ZCTR-04	K	12/24	Screw	CC	12/24	8000	96/196	89	60	45	21.63	19.37
560-ZDM-01	ZDM-01	L	5/24	Screw	-	5/24	8000	192	89	60	57.4	14.83	13.35



KEYSTONE LED Holders and Spacer Mounts



LED Indication

Keystone

"SNAP-IN" T-1 AND T-1 3/4 LED HOLDERS

Material: Nylon 6/6, Black

MOUSER STOCK NO.		Fig.	LED Size	Color	Mounting Hole Size (in.)	Min. Mounting Center (in.)	Panel Thickness (in.)	Price Each			
Mfr.	Mfr. Part No.							1	100	500	1000
534-8309		A	T-1	Black	0.232	0.188	0.171	.56	.417	.299	.208
534-8310		B	T-1 3/4	Black	0.315	0.274	0.25	.56	.418	.299	.209

"UNIVERSAL" SPACER MOUNTS FOR TRI-LEAD T-1 (3MM) AND T-1 3/4 (5MM)

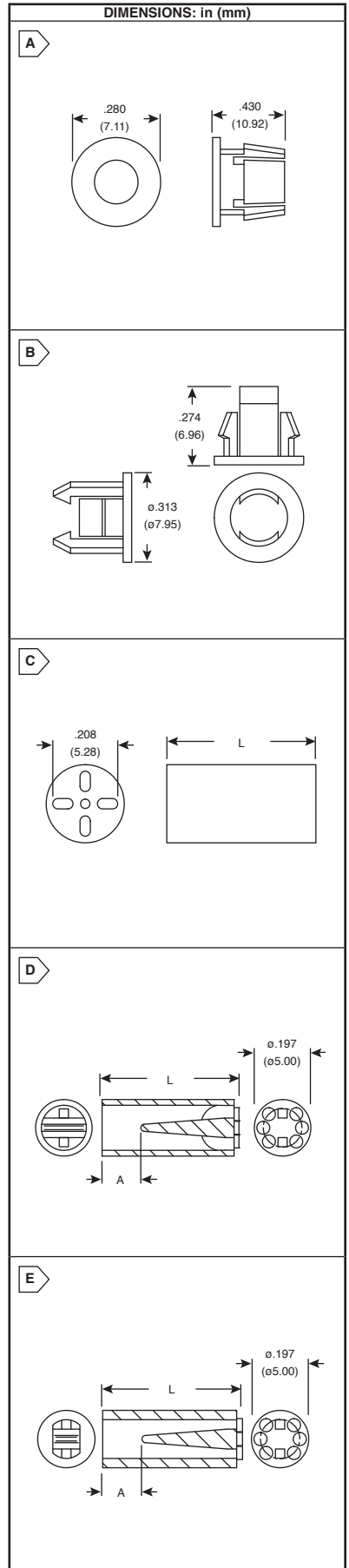
- Unique design separate leads and retains Tri-Lead (and/or Bi-Lead) components
- Designed for PC board mounting of Tri-Lead (and/or Bi-Lead) T-1 and T-1 3/4 LEDs
- Provides height control, lead retention and stability
- Also suitable for mounting lamps, resistors, transistors, diodes, capacitors, etc.
- Material: Black PVC, UL Rated 94V-0

MOUSER STOCK NO.		Fig.	Length "L" (in.)	Price Each			MOUSER STOCK NO.		Length "L" (in.)	Price Each		
Mfr.	Mfr. Part No.			1	100	500	Mfr.	Mfr. Part No.		1	100	500
534-8900		C	0.120	.18	.121	.103	534-8916	0.40	.21	.144	.122	
534-8901		C	0.140	.18	.121	.103	534-8917	0.42	.39	.22	.156	
534-8902		C	0.160	.18	.121	.103	534-8918	0.44	.39	.22	.156	
534-8903		C	0.180	.18	.121	.103	534-8919	0.45	.39	.22	.156	
534-8904		C	0.200	.18	.121	.103	534-8920	0.46	.22	.123	.117	
534-8905		C	0.220	.33	.186	.132	534-8921	0.48	.39	.22	.156	
534-8906		C	0.240	.18	.121	.103	534-8922	0.50	.20	.131	.111	
534-8907		C	0.250	.18	.121	.102	534-8923	0.55	.35	.252	.183	
534-8908		C	0.260	.33	.186	.132	534-8924	0.60	.35	.252	.183	
534-8909		C	0.280	.32	.181	.128	534-8925	0.65	.25	.169	.142	
534-8910		C	0.300	.33	.196	.136	534-8926	0.70	.35	.252	.183	
534-8911		C	0.320	.18	.126	.107	534-8927	0.75	.35	.252	.183	
534-8912		C	0.340	.33	.196	.136	534-8928	0.80	.52	.292	.209	
534-8913		C	0.350	.33	.196	.136	534-8929	0.85	.52	.293	.209	
534-8914		C	0.360	.33	.196	.136	534-8930	0.90	.52	.293	.209	
534-8915		C	0.380	.18	.126	.107	534-8931	0.95	.52	.293	.209	

"SELF-ALIGNING" SPACER MOUNTS FOR BI-LEAD T-1 (3MM) AND T-1 3/4 (5MM)

- The spacer features an internally tapered barrier which guides the leads and eliminates the possibility of crimping and shorting. The internal configuration also assures positive self-alignment on .100 centers.
- No special tools required
- Cost and labor saving
- Material: Natural Nylon
- UL Rated 94V-2

MOUSER STOCK NO.		Fig.	Length "L" (in.)	"A" Ref (in.)	Price Each		
Mfr.	Mfr. Part No.				1	100	500
T-1 3/4							
534-8311		D	0.120	0.045	.18	.125	.105
534-8312		D	0.140	0.065	.18	.126	.106
534-8313		D	0.160	0.085	.18	.125	.106
534-8314		D	0.180	0.105	.18	.125	.106
534-8315		D	0.200	0.125	.18	.125	.106
534-8316		D	0.220	0.145	.18	.125	.106
534-8317		D	0.240	0.045	.18	.125	.106
534-8318		D	0.250	0.060	.18	.125	.106
534-8319		D	0.260	0.065	.33	.19	.135
534-8320		D	0.280	0.090	.18	.125	.106
534-8321		D	0.300	0.110	.19	.13	.11
534-8322		D	0.320	0.120	.19	.13	.11
534-8323		D	0.340	0.140	.19	.13	.11
534-8324		D	0.350	0.150	.35	.206	.141
534-8325		D	0.360	0.160	.19	.127	.107
534-8326		D	0.380	0.060	.19	.13	.11
534-8327		D	0.40	0.08	.19	.127	.107
534-8328		D	0.42	0.10	.34	.205	.14
534-8329		D	0.44	0.12	.34	.205	.14
534-8330		D	0.45	0.12	.19	.13	.11
534-8331		D	0.46	0.14	.34	.205	.14
534-8332		D	0.48	0.15	.35	.206	.141
534-8333		D	0.50	0.06	.20	.135	.115
534-8334		D	0.55	0.10	.20	.135	.115
534-8335		D	0.60	0.15	.20	.135	.115
534-8336		D	0.65	0.08	.36	.203	.143
534-8337		D	0.70	0.12	.37	.209	.147
534-8338		D	0.75	0.06	.38	.214	.153
534-8339		D	0.80	0.11	.37	.209	.149
534-8340		D	0.85	0.16	.38	.214	.153
534-8341		D	0.90	0.20	.38	.215	.153
534-8342		D	0.93	0.23	.38	.214	.153
T-1							
534-7351		E	0.120	0.045	.18	.121	.102
534-7352		EE	0.140	0.065	.18	.121	.103
534-7353		EE	0.160	0.085	.18	.121	.103
534-7354		EE	0.180	0.105	.18	.121	.103
534-7355		EE	0.200	0.125	.18	.121	.102
534-7356		EE	0.220	0.145	.18	.121	.102
534-7357		EE	0.240	0.045	.18	.121	.103
534-7358		EE	0.250	0.060	.18	.121	.102
534-7359		EE	0.260	0.065	.33	.186	.132
534-7360		EE	0.280	0.090	.18	.121	.103
534-7361		EE	0.300	0.110	.18	.126	.107
534-7362		EE	0.320	0.120	.18	.126	.107
534-7363		EE	0.340	0.140	.18	.126	.107
534-7364		EE	0.350	0.150	.33	.196	.136
534-7365		EE	0.360	0.160	.18	.126	.107
534-7366		EE	0.380	0.060	.18	.126	.107
534-7367		EE	0.40	0.08	.18	.126	.107
534-7368		EE	0.42	0.10	.33	.196	.136
534-7369		EE	0.44	0.12	.34	.197	.137
534-7370		EE	0.45	0.12	.18	.126	.107
534-7371		EE	0.46	0.14	.34	.197	.137
534-7372		EE	0.48	0.15	.34	.197	.137
534-7373		EE	0.50	0.06	.19	.131	.111
534-7374		EE	0.55	0.10	.19	.131	.111
534-7375		EE	0.60	0.15	.19	.131	.111
534-7376		EE	0.65	0.08	.35	.206	.142
534-7377		EE	0.70	0.12	.35	.206	.142
534-7378		EE	0.75	0.06	.37	.209	.148
534-7379		EE	0.80	0.11	.37	.209	.148
534-7380		EE	0.85	0.16	.37	.209	.148
534-7381		EE	0.90	0.20	.37	.209	.148
534-7382		EE	0.93	0.23	.38	.214	.153



KINGBRIGHT LED Lamps



This page of product is RoHS compliant.

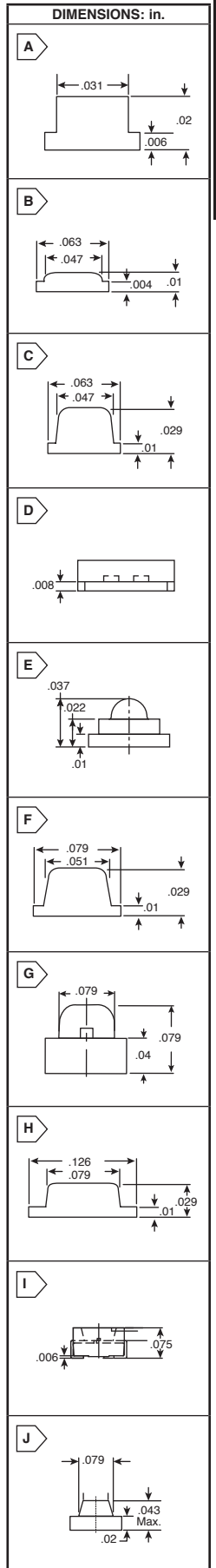
Kingbright

WWW.KINGBRIGHTUSA.COM

LED LAMPS

For quantities greater than listed, call for quote.

MOUSER STOCK NO.		Fig.	Color		Dominant λ (nm)	Luminous Intensity (Typ.) (cd)	Viewing Angle	Price Each			
Mfr.	Mfr. Part No.		LED	Lens				1	10	100	1000
0402 LEDs											
604	—APHHS1005SURCK	A	Red	Water Clear	630	150	120°	.30	.183	.136	.111
604	—APHHS1005SECK	A	Orange	Water Clear	601	160	120°	.30	.183	.136	.111
604	—APHHS1005CGCK	A	Green	Water Clear	570	40	120°	.24	.147	.109	.089
604	—APHHS1005QBCD	A	Blue	Water Clear	465	100	120°	.39	.242	.179	.14
0603 LEDs											
604	—APG1608SURKC/T	B	Red	Water Clear	630	320	120°	.20	.121	.09	.083
604	—APG1608SEKC/T	B	Orange	Water Clear	601	200	120°	.20	.121	.09	.083
604	—APG1608SYKC/T	B	Yellow	Water Clear	590	100	120°	.20	.121	.09	.083
604	—APG1608CGKC/T	B	Green	Water Clear	570	60	120°	.20	.121	.09	.083
604	—APG1608ZGC	B	Green	Water Clear	525	420	120°	.58	.367	.299	.217
604	—APG1608QBC/E	B	Blue	Water Clear	460	95	120°	.83	.52	.349	.276
604	—APG1608QBC/D	B	Blue	Water Clear	465	70	120°	.39	.242	.179	.14
604	—APT1608SRCPRV	C	Red	Water Clear	640	100	120°	.14	.086	.071	.068
604	—APT1608SURCK	C	Red	Water Clear	630	100	120°	.15	.095	.071	.066
604	—APT1608SURC	C	Red	Water Clear	628	150	120°	.31	.194	.144	.112
604	—APT1608SEC	C	Red	Water Clear	617	12	120°	.13	.079	.065	.062
604	—APT1608SECK	C	Orange	Water Clear	601	160	120°	.15	.095	.071	.066
604	—APT1608SEC	C	Orange	Water Clear	601	200	120°	.29	.181	.135	.11
604	—APT1608SYCK	C	Yellow	Water Clear	590	60	120°	.15	.095	.071	.066
604	—APT1608YC	C	Yellow	Water Clear	588	8	120°	.14	.083	.068	.065
604	—APT1608SYC	C	Yellow	Water Clear	588	80	120°	.46	.286	.212	.166
604	—APT1608PYW	C	Yellow	White Diffused	588	8	120°	.24	.15	.111	.091
604	—APT1608SGC	C	Green	Water Clear	568	10	120°	.14	.083	.068	.065
604	—APT1608QGW	C	Green	White Diffused	568	12	120°	.22	.139	.103	.096
604	—APT1608PGW	C	Green	White Diffused	568	5	120°	.21	.128	.095	.088
604	—APT1608SECJ4PRV	C	Orange	Water Clear	605	2300	120°	.83	.52	.349	.276
0603 Bi-Color LEDs											
604	—APHB1608SYKSURKC	D	Yellow/Red	Water Clear	590/630	180/230	130°	.38	.238	.177	.138
604	—APHB1608CGKSURKC	D	Green/Red	Water Clear	570/630	50/230	130°	.44	.275	.204	.159
604	—APHB1608SGEC	D	Green/Red	Water Clear	568/625	15	130°	.34	.209	.155	.121
604	—APHB1608ZGSRURKC	D	Green/Red	Water Clear	525/630	350/230	130°	.91	.573	.385	.305
604	—APHB1608SGNC	D	Green/Orange	Water Clear	568/606	60/18	130°	.34	.209	.155	.121
604	—APHB1608SGYC	D	Green/Yellow	Water Clear	568/588	60/9	130°	.34	.209	.155	.121
604	—APHB1608ZGYSYKC	D	Green/Yellow	Water Clear	525/590	350/180	130°	.91	.573	.385	.305
604	—APHB1608QBDSURKC	D	Blue/Red	Water Clear	470/630	90/230	130°	.68	.43	.289	.228
604	—APHB1608QBDSYKC	D	Blue/Yellow	Water Clear	470/590	90/180	130°	.68	.43	.289	.228
604	—APHB1608QBDCGKC	D	Blue/Green	Water Clear	470/570	90/50	130°	.68	.43	.289	.228
0603 Dome LEDs											
604	—APTD1608SURCK	E	Red	Water Clear	630	700	60°	.26	.161	.12	.098
604	—APTD1608SEC/J3	E	Red	Water Clear	625	3000	60°	.73	.46	.309	.244
604	—APTD1608SECK	E	Orange	Water Clear	601	800	60°	.26	.161	.12	.098
604	—APTD1608SYCK	E	Yellow	Water Clear	590	480	60°	.26	.161	.12	.098
604	—APTD1608SYC/J3	E	Yellow	Water Clear	589	800	60°	.73	.46	.309	.244
604	—APTD1608CGCK	E	Green	Water Clear	570	180	60°	.28	.172	.128	.105
604	—APT1608SGD3	E	Green	Water Clear	568	8	120°	.17	.106	.079	.073
604	—APTD1608ZGC	E	Green	Water Clear	525	780	60°	.52	.33	.269	.195
604	—APTD1608QBC/D	E	Blue	Water Clear	470	250	40°	.41	.253	.188	.147
0805 LEDs											
604	—APHCM2012SURCK	F	Red	Water Clear	650	150	110°	.18	.11	.082	.076
604	—APT2012SRCPRV	F	Red	Water Clear	640	80	120°	.15	.095	.071	.066
604	—APT2012SURCK	F	Red	Water Clear	630	100	120°	.16	.103	.076	.071
604	—APT2012NW	F	Orange	White Diffused	610	12	120°	.24	.15	.111	.091
604	—APHCM2012SECK	F	Orange	Water Clear	610	160	110°	.18	.11	.082	.076
604	—APT2012SECJ4PRV	F	Orange	Water Clear	605	2300	120°	.83	.52	.349	.276
604	—APT2012SECK	F	Orange	Water Clear	601	160	120°	.17	.103	.076	.071
604	—APT2012SEC	F	Orange	Water Clear	601	200	120°	.31	.194	.144	.112
604	—APT2012SYCK	F	Yellow	Water Clear	590	50	120°	.17	.103	.076	.071
604	—APHCM2012SYCK	F	Yellow	Water Clear	590	120	110°	.18	.11	.082	.076
604	—APT2012YC	F	Yellow	Water Clear	588	8	120°	.14	.083	.068	.065
604	—APT2012PYW	F	Yellow	White Diffused	585	8	120°	.24	.15	.111	.091
604	—APHCM2012CGCK	F	Green	Water Clear	574	50	110°	.20	.121	.09	.083
604	—AP2012SGD3	F	Green	Water Clear	568	8	120°	.21	.132	.098	.091
604	—APT2012SGC	F	Green	Water Clear	568	12	120°	.14	.083	.068	.065
604	—APT2012QGW	F	Green	White Diffused	565	12	120°	.21	.129	.096	.089
604	—APT2012PGW	F	Green	White Diffused	555	5	120°	.22	.139	.103	.096
1104 LEDs											
604	—APA3010SURCK	G	Red	Water Clear	630	100	120°	.23	.145	.108	.088
604	—APA3010SEC	G	Orange	Water Clear	601	300	120°	.38	.234	.173	.136
604	—APA3010SYCK	G	Yellow	Water Clear	590	50	120°	.23	.145	.108	.088
604	—APA3010YC-GX	G	Yellow	Water Clear	588	8	120°	.28	.172	.128	.105
604	—APA3010QGC	G	Green	Water Clear	565	12	120°	.36	.224	.166	.13
604	—APA3010PGC	G	Green	Water Clear	555	5	120°	.36	.224	.166	.13
1206 LEDs											
604	—APT3216SRCPRV	H	Red	Water Clear	640	70	120°	.17	.103	.076	.071
604	—APT3216SURCK	H	Red	Water Clear	630	150	120°	.18	.11	.082	.076
604	—APT3216SURC	H	Red	Water Clear	628	180	120°	.34	.21	.155	.122
604	—APT3216EC	H	Red	Water Clear	625	12	120°	.17	.103	.076	.071
604	—APT3216SECK	H	Orange	Water Clear	601	160	120°	.18	.11	.082	.076
604	—APT3216SEC	H	Orange	Water Clear	601	200	120°	.34	.21	.155	.122
604	—APT3216SYCK	H	Yellow	Water Clear	590	50	120°	.18	.11	.082	.076
604	—APT3216YC	H	Yellow	Water Clear	588	8	120°	.17	.103	.076	.071
604	—APT3216SYC	H	Yellow	Water Clear	588	80	120°	.46	.286	.212	.166
604	—APT3216SGC	H	Green	Water Clear	568	12	120°	.17	.103	.076	.071
604	—APT3216SECJ4PRV	H	Orange	Water Clear	605	2300	120°	.83	.52	.349	.276
Special Bi-Color White LEDs											
604	—AAA3528QWDSURKS	I	White/Red	Water Clear	630	600/320	120°	.95	.597	.401	.317
604	—AAA3528QWDSYKS	I	White/Yellow	Water Clear	590	600/200	120°	.95	.597	.401	.317
604	—AAA3528QWDCGKS	I	White/Green	Water Clear	570	600/80	120°	.96	.607	.408	.322
604	—APB3025SURKQWDF	J	Red/White	Yellow Fluorescent	630	220/380	120°	.91	.573	.385	.305
604	—APB3025SYKQWDF	J	Yellow/White	Yellow Fluorescent	590	120/300	120°	.91	.573	.385	.305
604	—APB3025CGKQWDF	J	Green/White	Yellow Fluorescent	570	50/380	120°	.89	.563	.378	.299



KINGBRIGHT LED Lamps



This page of product is RoHS compliant.

Kingbright

WWW.KINGBRIGHTUSA.COM

LED LAMPS (CONT.)

For quantities greater than listed, call for quote.

MOUSER STOCK NO.		Fig.	Color		Dominant λ (nm)	Luminous Intensity (Typ.) (cd)	Viewing Angle	Price Each			
Mfr.	Mfr. Part No.		LED	Lens				1	10	100	1000
Special Bi-Color White LEDs (Cont.)											
604	—APT1612SURKQWDF	A	White	Yellow Fluorescent	630	200/220	120°	.91	.573	.385	.305
604	—APT1612SYKQWDF	A	White	Yellow Fluorescent	590	120/220	120°	.91	.573	.385	.305
604	—APT1612CGKQWDF	A	Green/White	Yellow Fluorescent	570	55/220	120°	.89	.563	.378	.299
Compact Bi-color LEDs											
604	—APB3227SEKCGKC	B	Orange/Green	Water Clear	601	250/55	100°	.39	.242	.179	.14
604	—APB3227SURKCGKC	B	Red/Yellow Green	Water Clear	630	250/400	100°	.39	.242	.179	.14
604	—APB3227SURKZGC	B	Red/Green	Water Clear	630	250/400	100°	.99	.623	.419	.331
604	—APB3227SYKCGKC	B	Yellow/Green	Water Clear	590	150/55	100°	.39	.242	.179	.14
604	—APB3227ZQBDC	B	Green/Blue	Water Clear	525	400/100	100°	1.05	.66	.443	.351
1 x .5mm SMD Chip LED Lamps											
604	—APG1005CGCT	C	Green	Water Clear	571	35	120°	.34	.216	.16	.125
604	—APG1005PBCT5MAV	C	Blue	Water Clear	467	28	145°	.55	.347	.283	.205
604	—APG1005RWF5T5MAV	C	White	Yellow	-	85	120°	.62	.39	.318	.231
604	—APG1005SECT	C	Red	Water Clear	625	127	120°	.34	.216	.16	.125
604	—APG1005SECT	C	Orange	Water Clear	605	153	120°	.34	.216	.16	.125
604	—APG1005SYCT	C	Yellow	Water Clear	589	100	120°	.34	.216	.16	.125
604	—APG1005VGT5MAV	C	Green	Water Clear	527	70	145°	.68	.433	.291	.23
1.6 x 2mm SMD Chip LED Lamps											
604	—APGA1602CGCKA	D	Green	Water Clear	571	30	145°, 160°	.46	.286	.212	.166
604	—APGA1602SECKA	D	Red	Water Clear	624	200	120°, 150°	.46	.286	.212	.166
604	—APGA1602SYCKA	D	Yellow	Water Clear	589	75	120°, 160°	.46	.286	.212	.166
1.6 x 0.8mm Chip LED Lamps											
604	—APT1608SECKJ3PRV	E	Hyper Red	Water Clear	625	1100	120°	.52	.33	.269	.195
604	—APT1608SECKJ4PRV	E	Orange	Water Clear	605	2000	120°	.52	.33	.269	.195
604	—APT1608SECKJ3PRV	E	Red	Water Clear	625	1100	120°	.52	.33	.269	.195
604	—APT1608SECKJ4PRV	E	Orange	Water Clear	605	2000	120°	.52	.33	.269	.195
604	—APT1608SYCKJ3PRV	E	Yellow	Water Clear	590	320	120°	.52	.33	.269	.195
604	—APT1608VBC/D	E	Blue	Water Clear	470	180	120°	.68	.433	.291	.23
604	—APT1608ZGCK	E	Green	Water Clear	525	350	120°	.47	.29	.215	.168
604	—APTD1608SECKJ3PF	F	Red	Water Clear	625	2700	60°	.62	.39	.318	.231
604	—APTD1608SECKJ4PF	F	Orange	Water Clear	605	4200	60°	.62	.39	.318	.231
604	—APTD1608SYCKJ3PF	F	Yellow	Water Clear	590	800	60°	.62	.39	.318	.231
604	—APTD1608VBCD	F	Blue	Water Clear	470	350	40°	.89	.563	.378	.299
604	—APTD1608ZGCK	F	Green	Water Clear	525	900	60°	.62	.39	.318	.231
2 x 1.25mm SMD Chip LED Lamps											
604	—APT2012SECKJ3PRV	G	Red	Water Clear	625	1100	120°	.52	.33	.269	.195
604	—APT2012SECKJ4PRV	G	Orange	Water Clear	605	2000	120°	.52	.33	.269	.195
604	—APT2012SYCKJ3PRV	G	Yellow	Water Clear	590	320	120°	.52	.33	.269	.195
604	—APT2012ZGCK	G	Green	Water Clear	525	350	120°	.47	.29	.215	.168
604	—APT2012VBC/D	G	Blue	Water Clear	470	180	120°	.68	.433	.291	.23
604	—APT2012SECKJ4PRV	G	Orange	Water Clear	605	2000	120°	.52	.33	.269	.195
604	—APT2012SYCKJ3PRV	G	Yellow	Water Clear	590	320	120°	.52	.33	.269	.195
2.1 x .6mm SMD Chip LED Lamps											
604	—APA2106SECKJ3PRV	H	Red	Water Clear	625	1100	120°	.62	.39	.318	.231
604	—APA2106SECKJ4PRV	H	Orange	Water Clear	605	1900	120°	.62	.39	.318	.231
604	—APA2106SYCKJ3PRV	H	Yellow	Water Clear	590	350	120°	.62	.39	.318	.231
604	—APA2106VBCD	H	Blue	Water Clear	470	200	120°	.82	.52	.349	.276
604	—APA2106ZGCK	H	Green	Water Clear	525	300	120°	.62	.39	.318	.231
2.5 x 2.8mm SMD Chip LED Lamps											
604	—AA3528SESKJ3	I	Red	Water Clear	625	1500	120°	.68	.433	.291	.23
604	—AA3528SESKJ4	I	Orange	Water Clear	605	2700	120°	.68	.433	.291	.23
604	—AA3528SYSKJ3	I	Yellow	Water Clear	590	450	120°	.68	.433	.291	.23
604	—AA3528VBS/D	I	Blue	Water Clear	470	450	120°	.71	.45	.302	.239
604	—AA3528ZGSK	I	Green	Water Clear	525	500	120°	.55	.347	.283	.205
604	—APT3216VBC/D	J	Blue	Water Clear	470	180	120°	.68	.433	.291	.23
3 x 2mm SMD Chip LED Lamps											
604	—AA3021SESKJ3TR	K	Red	Water Clear	325	1500	125°	.68	.433	.291	.23
604	—AA3021SESKJ4TR	K	Orange	Water Clear	605	2600	125°	.68	.433	.291	.23
604	—AA3021SYSKJ3TR	K	Yellow	Water Clear	590	500	125°	.68	.433	.291	.23
604	—AA3021VBSD	K	Blue	Water Clear	470	450	125°	.75	.477	.32	.253
604	—APDA3020SECKJ3PF	L	Red	Water Clear	625	11000	10°	.75	.477	.32	.253
604	—APDA3020SECKJ4PF	L	Orange	Water Clear	605	13000	10°	.75	.477	.32	.253
604	—APDA3020SYCKJ3PF	L	Yellow	Water Clear	590	3000	10°	.75	.477	.32	.253
604	—APDA3020VBCD	L	Blue	Water Clear	470	800	10°	.89	.563	.378	.299
604	—APDA3020ZGCK	L	Green	Water Clear	525	1400	10°	.75	.477	.32	.253
3.2 x 1.8mm SMD Chip LED Lamps											
604	—APT3216SECKJ3PRV	M	Red	Water Clear	625	1100	120°	.52	.33	.269	.195
604	—APT3216SECKJ4PRV	M	Orange	Water Clear	605	2000	120°	.59	.322	.297	.163
604	—APT3216SYCKJ3PRV	M	Yellow	Water Clear	590	320	120°	.52	.33	.269	.195
604	—APT3216ZGCK	M	Green	Water Clear	525	350	120°	.47	.29	.215	.168
604	—APT3216SECKJ3PRV	N	Red	Water Clear	625	1100	120°	.52	.33	.269	.195
604	—APT3216SECKJ4PRV	N	Orange	Water Clear	605	2000	120°	.59	.322	.297	.163
3.2 x 2.4mm SMD Chip LED Lamp											
604	—APD3224SECJ4	N	Orange	Water Clear	605	14000	20°	.95	.597	.401	-
3.5 x 2.8mm SMD Chip LED Lamps											
604	—APETD3528CGCK	O	Green	Water Clear	574	200	60°	.37	.227	.169	.132
604	—APETD3528QBC/D	O	Blue	Water Clear	468	400	60°	.40	.249	.185	.144
604	—APETD3528SEC	O	Orange	Water Clear	610	900	60°	.40	.249	.185	.144
604	—APETD3528SECJ3PR	O	Hyper Red	Water Clear	640	4200	60°	.77	.483	.325	.257
604	—APETD3528SYCKJ3PR	O	Yellow	Water Clear	590	1500	60°	.77	.483	.325	.257
604	—APETD3528ZGCK	O	Green	Water Clear	515	1800	60°	.56	.353	.288	.209
1206 Reverse Mounts											
604	—APTR3216SRCPRV	P	Red	Water Clear	640	70	120°	.18	.11	.082	.076
604	—APTR3216SURCK	P	Red	Water Clear	630	15	120°	.17	.11	.082	.076
604	—APTR3216SECK	P	Orange	Water Clear	601	160	120°	.18	.11	.082	.076
604	—APTR3216SEC	P	Orange	Water Clear	601	200	120°	.34	.21	.155	.122
604	—APTR3216SYCK	P	Yellow	Water Clear	590	50	120°	.18	.11	.082	.076
604	—APTR3216YCK	P	Yellow	Water Clear	588	8	120°	.17	.103	.076	.071
604	—APTR3216SYCK	P	Yellow	Water Clear	588	80	120°	.52	.327	.266	.193
604	—APTR3216SGC	P	Green	Water Clear	568	12	120°	.15	.095	.071	.066
1206 Domes											
604	—APTD3216SRCPRV	Q	Red	Water Clear	640	300	50°	.23	.143	.106	.087
604	—APTD-3216SURCK	Q	Red	Water Clear	635	500	50°	.27	.169	.125	.103
604	—APTD3216EC	Q	Red	Water Clear	625	50	40°	.23	.143	.106	.087
604	—APTD-3216SECK	Q	Orange	Water Clear	601	700	50°	.27	.169	.125	.103
604	—APTD3216SYCK	Q	Yellow	Water Clear	590	700	50°	.27	.169	.125	.103
604	—APTD3216SGC	Q	Green	Water Clear	568	50	40°	.23	.143	.106	.087
604	—APTD3216MGC	Q	Green	Water Clear	568	350	50°	.70	.44	.296	.234
604	—APTD3216CGCK	Q	Green	Water Clear	570	200	50°	.30	.183	.136	.111

DIMENSIONS: in.

KINGBRIGHT LED Lamps

ROHS Compliant This page of product is RoHS compliant.

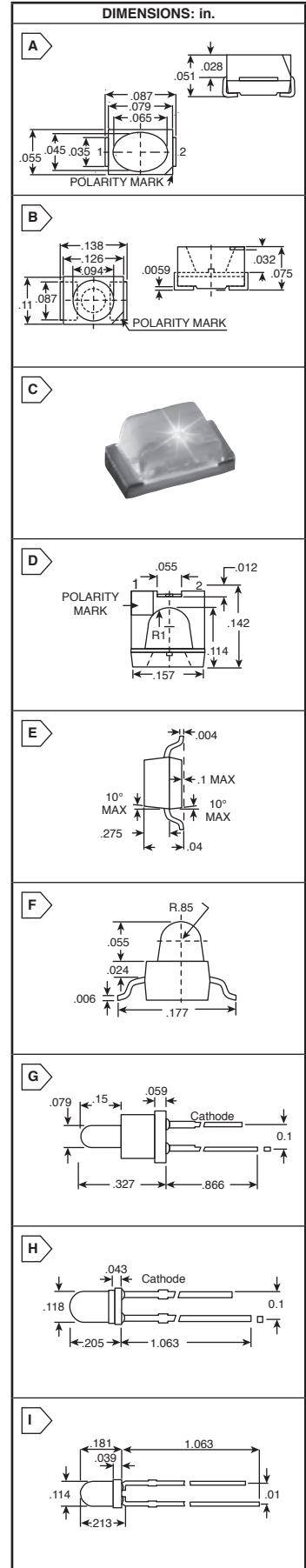
Kingbright

WWW.KINGBRIGHTUSA.COM

LED LAMPS (CONT.)

For quantities greater than listed, call for quote.

MOUSER STOCK NO.		Fig.	Color		Dominant λ (nm)	Luminous Intensity (Typ.)	Viewing Angle	Price Each			
Mfr.	Mfr. Part No.		Source	Lens				1	10	100	1000
MINI PLCC-2											
604	AA2214SURSK	A	Red	Water Clear	650	350	120°	.39	.242	.179	.14
604	AA2214SESK	A	Orange	Water Clear	610	400	120°	.39	.242	.179	.14
604	AA2214YSK	A	Yellow	Water Clear	590	250	120°	.39	.242	.179	.14
604	AA2214CGSK	A	Green	Water Clear	574	80	120°	.39	.242	.179	.14
604	AA2214QBS/D	A	Blue	Water Clear	468	150	120°	.46	.282	.209	.164
604	AA2214SESJ4	A	Orange	Water Clear	605	2700	120°	.83	.52	.349	.276
MINI PLCC-2											
604	AA2214SURSK	A	Red	Water Clear	650	350	120°	.39	.242	.179	.14
604	AA2214SESK	A	Orange	Water Clear	610	400	120°	.39	.242	.179	.14
604	AA2214YSK	A	Yellow	Water Clear	590	250	120°	.39	.242	.179	.14
604	AA2214CGSK	A	Green	Water Clear	574	80	120°	.39	.242	.179	.14
604	AA2214QBS/D	A	Blue	Water Clear	468	150	120°	.46	.282	.209	.164
604	AA2214SESJ4	A	Orange	Water Clear	605	2700	120°	.83	.52	.349	.276
PLCC-2											
604	AA3528SURSK	B	Red	Water Clear	650	350	120°	.30	.183	.136	.111
604	AA3528SESK	B	Orange	Water Clear	610	350	120°	.30	.183	.136	.111
604	AA3528YSK	B	Yellow	Water Clear	590	200	120°	.30	.183	.136	.111
604	AA3528CGSK	B	Green	Water Clear	574	100	120°	.31	.191	.141	.11
604	AA3528SGS	B	Green	Water Clear	565	25	120°	.25	.158	.117	.096
604	AA3021SESJ4	C	Orange	Water Clear	605	2800	125°	.83	.52	.349	.276
604	AA3528SESJ4	B	Orange	Water Clear	605	2800	120°	.83	.52	.349	.276
Right Angle											
604	AA4040SR	D	Red	Water Clear	660	200	120°	.49	.304	.226	.176
604	AA4040SURSK	D	Red	Water Clear	650	450	120°	.49	.304	.226	.176
604	AA4040YS	D	Yellow	Water Clear	590	15	120°	.49	.304	.226	.176
604	AA4040YSK	E	Yellow	Water Clear	590	250	120°	.49	.304	.226	.176
604	AA4040SGS	E	Green	Water Clear	565	20	120°	.49	.304	.226	.176
604	AA4040PGS	E	Green	Water Clear	555	10	120°	.52	.327	.266	.193
SOT-23											
604	AM23SRC-F	E	Red	Water Clear	640	70	140°	.33	.202	.149	.117
604	AM23SRD-F	E	Red	Red Diffused	640	70	140°	.33	.202	.149	.117
604	AM23EC-F	E	Red	Water Clear	625	15	140°	.36	.224	.166	.13
604	AM23ID-F	E	Red	Red Diffused	625	15	140°	.36	.224	.166	.13
604	AM23YC-F	E	Yellow	Water Clear	588	5	140°	.36	.224	.166	.13
604	AM23YD-F	E	Yellow	Yellow Diffused	588	5	140°	.36	.224	.166	.13
604	AM23SGC-F	E	Green	Water Clear	568	12	140°	.36	.224	.166	.13
604	AM23SGD3-F	E	Green	Green Diffused	568	8	140°	.36	.224	.166	.13
Gull Wing Leads											
604	AM2520SRC03	F	Red	Water Clear	640	600	20°	.42	.264	.196	.153
604	AM2520SURCK03	F	Red	Water Clear	630	700	20°	.43	.264	.196	.153
604	AM2520SURC03	F	Red	Water Clear	628	700	20°	.42	.262	.194	.152
604	AM2520ID03	F	Red	Red Diffused	625	30	40°	.26	.161	.12	.105
604	AM2520EC03	F	Red	Water Clear	625	70	20°	.43	.264	.196	.153
604	AM2520SECK03	F	Orange	Water Clear	601	700	20°	.43	.264	.196	.153
604	AM2520SEC03	F	Orange	Water Clear	601	1300	20°	.46	.282	.209	.164
604	AM2520SYCK03	F	Yellow	Water Clear	590	300	20°	.43	.264	.196	.153
604	AM2520YC03	F	Yellow	Water Clear	588	30	20°	.43	.264	.196	.153
604	AM2520YC03	F	Yellow	Water Clear	588	500	20°	.42	.262	.194	.152
604	AM2520SGC03	F	Green	Water Clear	568	100	20°	.43	.264	.196	.153
Pin Point .08" (2mm)											
604	WP23HD	G	Red	Red Diffused	700	0.8	60°	.27	.169	.125	.103
604	WP23YD	G	Yellow	Yellow Diffused	590	5	60°	.24	.15	.111	.091
604	WP23GD	G	Green	Green Diffused	565	3.2	60°	.30	.191	.141	.11
Standard T-1 (3mm)											
604	WP132XID	H	Red	Red Diffused	625	25	60°	.14	.086	.071	.068
604	WP132XIT	H	Red	Red Trans.	625	60	50°	.15	.092	.068	.063
604	WP132XND	H	Orange	Orange Diffused	610	30	60°	.17	.106	.079	.073
604	WP132XNC	H	Orange	Water Clear	610	50	50°	.14	.092	.068	.063
604	WP132XYD	H	Yellow	Yellow Diffused	588	15	60°	.15	.092	.068	.063
604	WP132XYT	H	Yellow	Yellow Trans.	588	20	50°	.15	.092	.068	.063
604	WP132XGD	H	Green	Green Diffused	568	15	60°	.14	.083	.068	.065
604	WP132XPGD	H	Green	Green Diffused	555	5	60°	.17	.103	.076	.071
604	WP710A10HD	I	Red	Red Diffused	660	5	60°	.15	.095	.071	.066
604	WP710A10ED	I	Orange	Orange Diffused	625	30	40°	.13	.079	.065	.062
604	WP710A10IT	I	Red	Red Trans.	625	60	34°	.13	.079	.065	.062
604	WP710A10ID5V	I	Red	Red Diffused	627	25	40°	.33	.202	.149	.117
604	WP710A10ND	I	Orange	Orange Diffused	610	30	40°	.15	.092	.068	.063
604	WP710A10NC	I	Orange	Water Clear	610	50	34°	.15	.092	.068	.063
604	WP710A10SECKJ3	I	Red	Water Clear	625	3000	34°	.48	.303	.247	.18
604	WP710A10SECKJ4	I	Orange	Water Clear	605	4000	34°	.48	.303	.247	.18
604	WP710A10SECKJ3	I	Red	Water Clear	625	3000	34°	.48	.303	.247	.18
604	WP710A10SECKJ4	I	Orange	Water Clear	605	4000	34°	.48	.303	.247	.18
604	WP710A10SYCKJ3	I	Yellow	Water Clear	590	2600	34°	.48	.303	.247	.18
604	WP710A10SYCKJ3	I	Yellow	Water Clear	590	2600	34°	.48	.303	.247	.18
604	WP710A10YT	I	Yellow	Yellow Trans.	590	30	34°	.15	.092	.068	.063
604	WP710A10YC	I	Yellow	Water Clear	588	30	34°	.14	.092	.068	.063
604	WP710A10YD5V	I	Yellow	Yellow Diffused	590	15	40°	.33	.202	.149	.117
604	WP710A10ZGCK	I	Green	Water Clear	525	8000	34°	.47	.29	.215	.168
604	WP710A10ZGCG/G	I	Green	Water Clear	525	14000	34°	.98	.617	.414	.328
604	WP710A10GC	I	Green	Water Clear	568	60	34°	.13	.079	.065	.062
604	WP710A10GT	I	Green	Green Trans.	568	60	34°	.13	.079	.065	.062
604	WP710A10PGD	I	Green	Green Diffused	568	60	40°	.15	.095	.071	.066
604	WP710A10PGC	I	Green	Water Clear	555	20	34°	.15	.095	.071	.066
604	WP710A10MBD	I	Blue	Blue Diffused	430	40	30°	1.23	.798	.708	.467
604	WP710A10VBC/D	I	Blue	Water Clear	465	4000	20°	.54	.337	.275	.199
604	WP710A10SRD/E	I	Red	Red Diffused	660	450	40°	.17	.103	.076	.071
604	WP710A10SRD/F	I	Red	Red Diffused	640	420	40°	.15	.095	.071	.066
604	WP710A10SRD/F	I	Red	Red Diffused	640	460	40°	.17	.106	.079	.073
604	WP710A10SRC/D	I	Red	Water Clear	640	700	34°	.14	.086	.071	.068
604	WP710A10SRC/E	I	Red	Water Clear	640	900	34°	.15	.092	.068	.063
604	WP710A10SRC/G	I	Red	Water Clear	640	1300	34°	.76	.477	.32	.253
604	WP710A10SURC/E	I	Red	Water Clear	630	2500	34°	.46	.282	.209	.164
604	WP710A10SECJ4	I	Orange	Water Clear	605	10000	34°	.83	.52	.349	.276
604	WP710A10SED	I	Red	Orange Diffused	601	601	40°	.31	.194	.144	.113
604	WP710A10SET	I	Red	Orange Trans.	601	2700	34°	.31	.194	.144	.113
604	WP710A10SYD	I	Yellow	Yellow Diffused	590	1100	40°	.31	.194	.144	.113
604	WP710A10SYC	I	Yellow	Water Clear	590	1500	34°	.31	.194	.144	.113



KINGBRIGHT LED Lamps

RoHS Compliant This page of product is RoHS compliant.

Kingbright

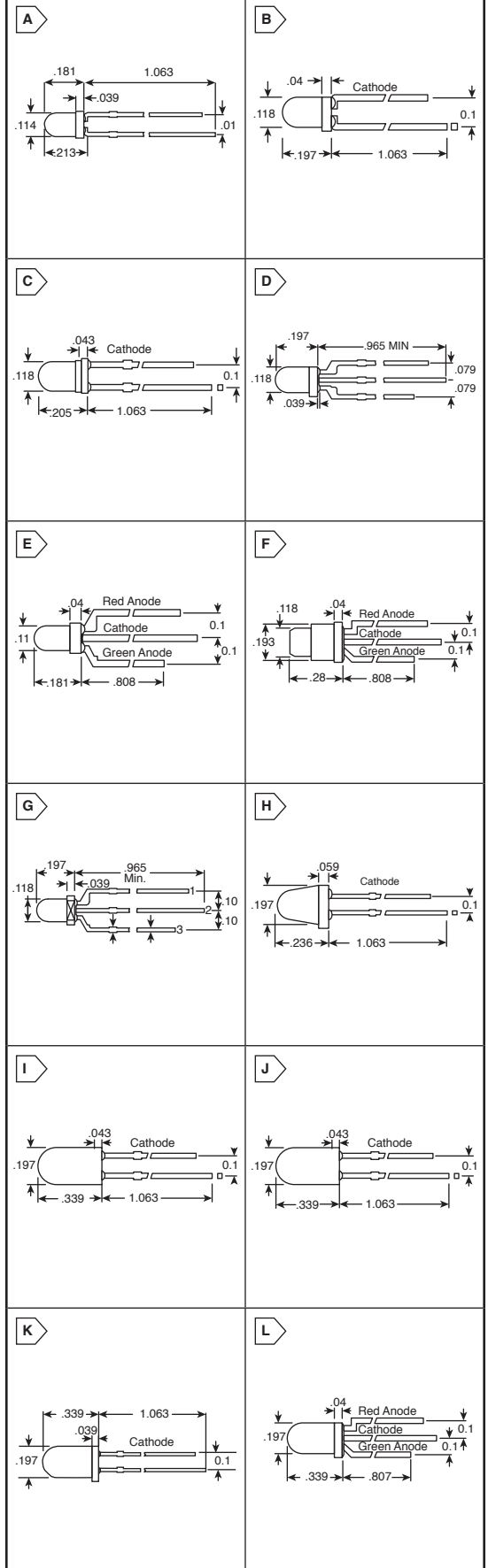
WWW.KINGBRIGHTUSA.COM

LED LAMPS (CONT.)

For quantities greater than listed, call for quote.

MOUSER STOCK NO.		Fig.	Color		Dominant λ (nm)	Luminous Intensity (Typ.) (cd)	Viewing Angle	Price Each			
Mfr.	Mfr. Part No.		Source	Lens				1	10	100	1000
Standard T-1 (3mm)											
604	—WP710A10SGD	A	Green	Green Diffused	568	40	40°	.13	.079	.065	.062
604	—WP710A10SGD5V	A	Green	Green Diffused	565	25	40°	.33	.202	.149	.117
604	—WP710A10SGC	A	Green	Water Clear	568	150	34°	.13	.079	.065	.062
604	—WP710A10MGC	A	Green	Water Clear	570	700	34°	1.14	.717	.481	.381
604	—WP710A10QBC/D	A	Blue	Water Clear	470	2000	20°	.33	.202	.149	.117
Blinking T-1 (3mm)											
604	—WP36BHD	B	Red	Red Diffused	700	3.2	60°	.70	.44	.296	.234
604	—WP36BYD	B	Yellow	Yellow Diffused	590	32	60°	.69	.44	.296	.234
604	—WP36BGD	B	Green	Green Diffused	565	32	60°	.69	.44	.296	.234
Dual T-1 (3mm)											
604	—WP937EGW	C	Red/Green	White Diffused	627/565	20/20	60°	.33	.202	.149	.117
604	—WP937GYW	C	Grn/Yellow	White Diffused	565/590	20/10	60°	.33	.202	.149	.117
604	—WP3VEGW	D	Red/Green	White Diffused	627/565	40/35	60°	.36	.224	.166	.13
604	—WP3VEYW	D	Red/Yellow	White Diffused	627/590	40/15	60°	.36	.224	.166	.13
604	—WP3VGYW	D	Grn/Yellow	White Diffused	565/590	35/15	60°	.36	.224	.166	.13
604	—WP115VEGW	D	Red/Green	White Diffused	627/565	50/50	60°	.36	.224	.166	.13
604	—WP93WEGC	E	Red/Green	Water Clear	627/565	160/80	24°	.83	.52	.349	.276
604	—WP93WEGW	E	Red/Green	White Diffused	627/565	50/50	60°	.64	.403	.329	.239
604	—WP469EGW	F	Red/Green	White Diffused	627/565	20	60°	.47	.293	.239	.174
604	—W115WSURKMGKW	G	Red/Green	White Diffused	650/574	600/200	60°	1.10	.693	.466	.368
Standard T-1 3/4 (5mm)											
604	—WP63ID	H	Red	Red Diffused	627	20	60°	.18	.114	.084	.078
604	—WP63YD	H	Yellow	Yellow Diffused	590	10	60°	.18	.114	.084	.078
604	—WP63GD	H	Green	Green Diffused	565	12	60°	.16	.103	.076	.071
604	—WP1503ID	I	Red	Red Diffused	627	30	60°	.18	.114	.084	.078
604	—WP1503EC	I	Red	Water Clear	627	80	30°	.17	.106	.079	.073
604	—WP1503YD	I	Yellow	Yellow Diffused	590	20	60°	.18	.114	.084	.078
604	—WP1503YC	J	Yellow	Water Clear	590	40	30°	.17	.106	.079	.073
604	—WP1503GD	J	Green	Green Diffused	565	20	60°	.17	.106	.079	.073
604	—WP1503GC	J	Green	Water Clear	565	60	30°	.16	.103	.076	.071
604	—WP7113HD	K	Red	Red Diffused	660	5	60°	.14	.083	.068	.065
604	—WP7113ID	K	Red	Red Diffused	627	45	30°	.15	.092	.068	.063
604	—WP7113EC	K	Red	Water Clear	627	80	20°	.15	.092	.068	.063
604	—WP7113IT	K	Red	Red Trans.	627	200	20°	.15	.092	.068	.063
604	—WP7113ED	K	Orange	Orange Diffused	627	25	30°	.14	.092	.068	.063
604	—WP7113ND	K	Orange	Orange Diffused	607	30	30°	.15	.095	.071	.066
604	—WP7113NC	K	Orange	Water Clear	607	80	20°	.15	.095	.071	.066
604	—WP7113SECKJ3	K	Red	Water Clear	625	10000	20	.48	.303	.247	.18
604	—WP7113SECKJ4	K	Orange	Water Clear	605	13000	20	.48	.303	.247	.18
604	—WP7113SYCKJ3	K	Yellow	Water Clear	590	6000	20	.48	.303	.247	.18
604	—WP7113VBC/D	K	Blue	Water Clear	470	6000	20	.63	.40	.326	.237
604	—WP7113YT	K	Yellow	Yellow Trans.	590	80	20°	.15	.095	.071	.066
604	—WP7113YD	K	Yellow	Yellow Diffused	590	20	30°	.15	.095	.071	.066
604	—WP7113YC	K	Yellow	Water Clear	590	40	20°	.15	.095	.071	.066
604	—WP7113GD	K	Green	Green Diffused	565	20	30°	.14	.086	.071	.068
604	—WP7113GC	K	Green	Water Clear	565	60	20°	.14	.086	.071	.068
604	—WP7113GT	K	Green	Green Trans.	565	80	20°	.14	.086	.071	.068
604	—WP7113PGD	K	Green	Green Diffused	557	5	30°	.17	.106	.079	.073
604	—WP7113PGC	K	Green	Water Clear	557	10	20°	.17	.106	.079	.073
604	—WP7113ID5V	K	Red	Red Diffused	627	40	30°	.33	.202	.149	.117
604	—WP7113SRD/D	K	Red	Red Diffused	655	250	30°	.17	.103	.076	.071
604	—WP7113SRD/E	K	Red	Red Diffused	655	400	30°	.17	.106	.079	.073
604	—WP7113SRD/F	K	Red	Red Diffused	655	600	30°	.46	.282	.209	.164
604	—WP1543SRC/C	K	Red	Water Clear	640	600	50°	.31	.191	.141	.11
604	—WP1543SRD/G	K	Red	Red Diffused	640	900	30°	.70	.44	.296	.234
604	—WP1543SRC/D	K	Red	Water Clear	640	900	50°	.69	.433	.291	.23
604	—WP7113SRC/DU	K	Red	Water Clear	655	1200	20°	.15	.095	.071	.066
604	—WP7113SRC/DV	K	Red	Water Clear	655	1500	20°	.17	.103	.076	.071
604	—WP7113SRD/H	K	Red	Red Diffused	640	1500	30°	.83	.52	.349	.276
604	—WP7113SRC/DW	K	Red	Water Clear	655	1800	20°	.17	.106	.079	.073
604	—WP1543SRC/E	K	Red	Water Clear	640	2000	50°	.76	.477	.32	.253
604	—WP7113SRC/E	K	Red	Water Clear	660	2800	20°	.58	.367	.299	.217
604	—WP1543SURC/E	K	Red	Water Clear	640	1300	50°	.69	.433	.291	.23
604	—WP7113SURC/E	K	Red	Water Clear	645	2200	20°	.46	.282	.209	.164
604	—WP7143SEC/H	K	Orange	Water Clear	630	6500	30°	1.24	.78	.524	.414
604	—WP7113SURC	K	Red	Water Clear	645	1800	20°	.31	.194	.144	.113
604	—WP7113SEC/E	K	Red	Water Clear	630	5000	20°	.46	.282	.209	.164
604	—WP7113SECJ4	K	Orange	Water Clear	611	14000	20°	.83	.52	.349	.276
604	—WP7113SEC	K	Orange	Water Clear	610	4200	20°	.31	.194	.144	.113
604	—WP7113SED	K	Red	Orange Diffused	610	800	30°	.31	.194	.144	.113
604	—WP7113SYD	K	Yellow	Yellow Diff.	590	600	30°	.31	.194	.144	.113
604	—WP7113SYC	K	Yellow	Water Clear	590	2000	20°	.31	.194	.144	.113
604	—WP7113SGD	K	Green	Green Diff.	565	40	30°	.14	.086	.071	.068
604	—WP1543SGC	K	Green	Water Clear	568	150	50°	.21	.128	.095	.088
604	—WP7113SGC	K	Green	Water Clear	565	200	20°	.14	.086	.071	.068
604	—WP7113MGC	K	Green	Water Clear	568	1000	20°	1.10	.693	.466	.368
604	—WP7143ZGC/G	K	Green	Water Clear	565	12000	30°	1.47	.95	.643	.555
604	—WP7113ZGC/G	K	Green	Water Clear	520	12000	20°	.98	.617	.414	.328
604	—WP7113QBC/D	K	Blue	Water Clear	460	2200	16°	.36	.224	.166	.13
604	—WP7143QBC/G	K	Blue	Water Clear	461	2600	30°	1.79	1.16	1.03	.677
604	—WP7113MBD	K	Blue	Blue Diff.	430	60	20°	1.22	.77	.517	.409
604	—WP7113MBC	K	Blue	Water Clear	430	150	16°	1.22	.77	.517	.409
604	—WP7113SECKJ3	K	Red	Water Clear	640	10000	20°	.48	.303	.247	.18
604	—WP7113SECKJ4	K	Orange	Water Clear	611	13000	20°	.48	.303	.247	.18
604	—WP7113SYCKJ3	K	Yellow	Water Clear	590	6000	20°	.48	.303	.247	.18
604	—WP7113ZGCK	K	Green	Water Clear	515	12000	20°	.47	.29	.215	.168
Blinking T-1 3/4 (5mm)											
604	—WP56BHD	K	Red	Red Diff.	700	4	60°	.70	.44	.296	.234
604	—WP56SRD/B	K	Red	Red Diff.	655	200	60°	.70	.44	.296	.234
604	—WP56BYD	K	Yellow	Yellow Diff.	590	20	60°	.70	.44	.296	.234
604	—WP56BGD	K	Green	Green Diff.	565	20	60°	.69	.44	.296	.234
Dual Color T-1 3/4 (5mm)											
604	—WP57EGW	K	Red/Green	White Diff	627/565	30/20	60°	.33	.202	.149	.149
604	—WP57GYW	L	Grn/Yellow	White Diff	565/590	20/10	60°	.33	.202	.149	.149
604	—WP59EGW	L	Red/Green	White Diff	627/565	60/50	60°	.33	.202	.149	.149
604	—WP59SURKSGC	L	Red/Green	Water Clear	650/565	1100/200	24°	.42	.262	.194	.194
604	—WP59GYW	L	Grn/Yellow	White Diff	565/590	50/40	60°	.33	.202	.149	.149

DIMENSIONS: in.



KINGBRIGHT LED Lamps



This page of product is RoHS compliant.

Kingbright

WWW.KINGBRIGHTUSA.COM

LED LAMPS (CONT.)

8mm LEDs

For quantities greater than listed, call for quote.

MOUSER STOCK NO.	Kingbright Part No.	Fig.	Color		Dominant λ (nm)	Luminous Intensity (Typ.) (cd)	View. Angle	Price Each			
			Source	Lens				1	10	100	1000
604-WP793ID	WP793ID	A	Red	Red Diffused	627	100	30°	.24	.15	.111	.091
604-WP793YD	WP793YD	A	Yellow	Yellow Diffused	590	50	30°	.24	.15	.111	.091
604-WP793GD	WP793GD	A	Green	Green Diffused	565	60	30°	.23	.147	.109	.089

Super Bright 10mm LEDs

For quantities greater than listed, call for quote.

MOUSER STOCK NO.	Kingbright Part No.	Fig.	Color		Dominant λ (nm)	Luminous Intensity (Typ.) (cd)	View. Angle	Price Each			
			Source	Lens				1	10	100	1000
604-WP813SRC/C	WP813SRC/C	B	Red	Water Clear	640	1500	15°	.43	.264	.196	.153
604-WP813SRC/E	WP813SRC/E	B	Red	Water Clear	660	2700	15°	.56	.35	.285	.207

Cylindrical LEDs

For quantities greater than listed, call for quote.

MOUSER STOCK NO.	Kingbright Part No.	Fig.	Color		Dominant λ (nm)	Luminous Intensity (Typ.) (cd)	Viewing Angle	Price Each			
			Source	Lens				1	10	100	1000
604-WP483IDT	WP483IDT	C	Red	Red Diffused	627	5	100°	.19	.117	.087	.081
604-WP483YDT	WP483YDT	C	Yellow	Yellow Diffused	590	3	100°	.18	.114	.084	.078
604-WP483GDT	WP483GDT	C	Green	Green Diffused	565	4	100°	.18	.114	.084	.078

Square .2" X .2" (5mm X 5mm) LEDs

For quantities greater than listed, call for quote.

MOUSER STOCK NO.	Kingbright Part No.	Fig.	Color	Lens	Dominant λ (nm)	Luminous Intensity (Typ.) (cd)	Viewing Angle	Price Each			
								1	10	100	1000
604-WP503HDT	WP503HDT	D	Red	Red Diffused	700	2	110°	.18	.114	.084	.078
604-WP503YDT	WP503YDT	D	Yellow	Yellow Diffused	590	8	110°	.19	.117	.087	.081
604-WP503GDT	WP503GDT	D	Green	Green Diffused	565	8	110°	.18	.114	.084	.078

Rectangular LEDs

For quantities greater than listed, call for quote.

MOUSER STOCK NO.	Kingbright Part No.	Fig.	Color	Lens	Dominant λ (nm)	Luminous Intensity (Typ.) (cd)	Viewing Angle	Price Each			
								1	10	100	1000
604-WP103HD	WP103HD	E	Red	Red Diffused	660	2	110°	.13	.079	.065	.062
604-WP103YD	WP103YD	E	Yellow	Yellow Diffused	588	8	110°	.13	.079	.065	.062
604-WP103GD	WP103GD	F	Green	Green Diffused	568	8	110°	.13	.079	.065	.062
604-WP113HDT	WP113HDT	F	Red	Red Diffused	660	2	110°	.15	.092	.068	.063
604-WP113YDT	WP113YDT	F	Yellow	Yellow Diffused	588	8	110°	.15	.092	.068	.063
604-WP113GDT	WP113GDT	F	Green	Green Diffused	565	8	110°	.15	.092	.068	.063
604-WP153HDT	WP153HDT	G	Red	Red Diffused	660	1.3	110°	.28	.172	.128	.105
604-WP153YDT	WP153YDT	G	Yellow	Yellow Diffused	588	8	110°	.31	.191	.141	.11
604-WP153GDT	WP153GDT	G	Green	Green Diffused	568	8	110°	.25	.158	.117	.096

Super Flux LED Lamps

For quantities greater than listed, call for quote.

MOUSER STOCK NO.	Kingbright Part No.	Fig.	Color		Dominant λ (nm)	Luminous Intensity (Typ.) (cd)	Viewing Angle	Price Each			
			Source	Lens				1	10	100	1000
604-WP7676CSURC	WP7676CSURC	H	Red	Water Clear	650	1000	70°	.73	.458	.308	.243
604-WP7676CSURC/E	WP7676CSURC/E	H	Red	Water Clear	650	600	70°	1.10	.693	.466	.368
604-WP7676CSEC/H	WP7676CSEC/H	H	Red	Water Clear	640	1800	70°	1.05	.66	.443	.351
604-WP7676CSEC/E	WP7676CSEC/E	H	Orange	Water Clear	630	2800	70°	.79	.495	.333	.263
604-WP7676CSEC/G	WP7676CSEC/G	H	Red	Water Clear	621	1200	70°	1.10	.693	.466	.368
604-WP7676CSYC	WP7676CSYC	H	Yellow	Water Clear	590	700	70°	.73	.458	.308	.243

Photo Transistor

For quantities greater than listed, call for quote.

MOUSER STOCK NO.	Kingbright Part No.	Fig.	Dark Current Maximum	Rise/Fall Time Typical	On-State Collector Current		Collector-Emitter Saturation Breakdown Voltage	Price Each			
					Min.	Max.		1	10	100	1000
604-WP7113P3C	WP7113P3C	I	100nA	3μs	1mA	8mA	0.8V	.26	.161	.12	.098

Infrared Diodes

For quantities greater than listed, call for quote.

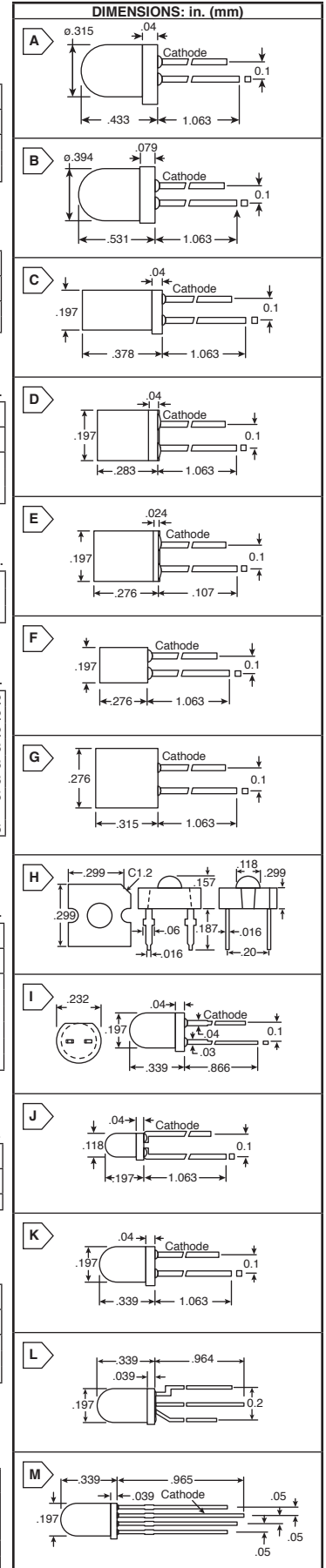
MOUSER STOCK NO.	Kingbright Part No.	Fig.	Lens Color	Forward Voltage (V)		Radiant Power Typ.	Dominant λ (nm)	Viewing Angle	Price Each			
				Typ.	Max.				1	10	100	1000
604-WP3A10SF4C	WP3A10SF4C	J	Water Clear	1.3	1.6	40	880	50°	.52	.327	.266	.193
604-WP7113SF4BT	WP7113SF4BT	K	Blue	1.4	1.7	10	880	30°	.62	.39	.318	.231
604-WP7113SF4C	WP7113SF4C	K	Water Clear	1.4	1.7	10	880	30°	.47	.293	.239	.174

Full Color Spectrum

* Part has two blue LEDs built into it. Specs for each as a single unit

For quantities greater than listed, call for quote.

MOUSER STOCK NO.	Kingbright Part No.	Fig.	Red (627nm)		Green (565nm)		*Blue (430nm)		View Angle	Price Each			
			Iv (mcd) Typ.	λ (Dom.)	Iv (mcd) Typ.	Wave-length (Dom.)	Iv (mcd) Typ.	Wave-length (Dom.)		1	10	100	1000
* 604-WP5WAEMBGMBW	WP5WAEMBGMBW	L	10	25	10	20	10	30	60°	4.31	3.00	2.61	2.04
604-WP154A4SUREQBFZW	WP154A4SUREQBFZW	M	1000	630	1300	525	500	30	60°	1.80	1.17	1.03	.682



KINGBRIGHT Circuit Board Indicators

Kingbright

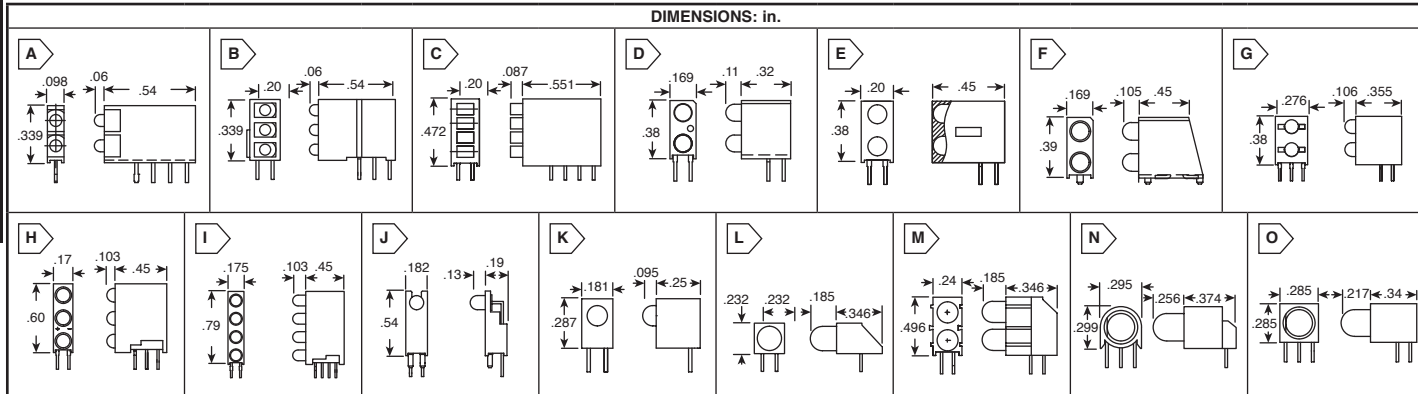
Products may be RoHS compliant. Check mouser.com for RoHS status.

WWW.KINGBRIGHTUSA.COM

LED Indication

Kingbright

DIMENSIONS: in.



CIRCUIT BOARD INDICATORS

For quantities greater than listed, call for quote.

MOUSER STOCK NO.	Kingbright Part No.	Fig.	LED	Lens	Dominant λ (nm)	Luminous Intensity (Typ.) (cd)	VF	Viewing Angle (Degrees)	Price Each					
									1	10	100	1000		
1.8mm														
604-WP4060VH2SRD	WP4060VH/2SRD	A	Red/Red	Red Diffused	655	200	1.85	70°	1.08	.68	.457	.361		
604-WP4060VH2ID	WP4060VH/2ID	A	Red/Red	Red Diffused	627	15	2	70°	1.08	.68	.457	.361		
604-WP4060VH2YD	WP4060VH/2YD	A	Yellow	Yellow Diffused	590	5	2.1	70°	1.07	.68	.457	.361		
604-WP4060VH2GD	WP4060VH/2GD	A	Grn/Grn	Green Diffused	565	10	2.2	70°	1.08	.68	.457	.361		
604-WP4060XH3ID	WP4060XH/3ID	B	Red/Red	Red Diffused	627	15	2	70°	1.44	.93	.824	.543		
604-WP4060XH3YD	WP4060XH/3YD	B	Yellow	Yellow Diffused	590	5	1.8	70°	1.38	.894	.793	.523		
604-WP4060XH3GD	WP4060XH/3GD	B	Grn/Grn	Green Diffused	565	10	2.2	70°	1.37	.886	.786	.518		
2x3mm														
604-WP914CK4IDT	WP914CK/4IDT	C	Red/Red	Red Diffused	627	8	2	100°	1.19	.772	.684	.451		
604-WP914CK4YDT	WP914CK/4YDT	C	Yellow	Yellow Diffused	590	4	2.1	100°	1.19	.772	.684	.451		
604-WP914CK4GDT	WP914CK/4GDT	C	Grn/Grn	Green Diffused	565	6	2.2	100°	1.19	.772	.684	.451		
T-1 (3mm)														
604-WP934MD2ID	WP934MD/2ID	D	Red/Red	Red Diffused	627	20	2	40°	.79	.497	.334	.264		
604-WP934MD2YD	WP934MD/2YD	D	Yellow	Yellow Diffused	590	15	2.1	40°	.79	.497	.334	.264		
604-WP934MD2GD	WP934MD/2GD	D	Grn/Grn	Green Diffused	565	20	2.2	40°	.79	.497	.334	.264		
604-WP934GO2SRD	WP934GO/2SRD	E	Red/Red	Red Diffused	660	300	1.85	40°	.73	.46	.309	.244		
604-WP934GO2ID	WP934GO/2ID	E	Red/Red	Red Diffused	627	20	2	40°	.73	.46	.309	.244		
604-WP934GO2GD	WP934GO/2GD	E	Grn/Grn	Green Diffused	565	20	2.2	40°	.73	.46	.309	.244		
604-WP7104ALUP2YD0L	WP7104ALUP/2YD-0L	F	Yellow	Red Diffused	590	15	2.1	40°	1.34	.868	.77	.508		
604-WP7104ALUP2GD0L	WP7104ALUP/2GD-0L	F	Grn/Grn	Green Diffused	565	20	2.2	40°	1.34	.868	.77	.508		
604-WP130WCP2EYW	WP130WCP/2EYW	G	Red/Yellow	White Diffused	627/590	30/20	2/2.1	60°	.96	.607	.408	.322		
604-WP130WDT2EYW	WP130WDT/2EYW	G	Red/Yellow	White Diffused	627/590	30/20	2/2.1	60°	.55	.35	.285	.207		
604-WP130WCP2EGW	WP130WCP/2EGW	G	Red/Green	White Diffused	627/565	30/25	2/2.2	60°	.96	.607	.408	.322		
604-WP130WDT2EGW	WP130WDT/2EGW	G	Red/Green	White Diffused	627/565	30/25	2/2.2	60°	.56	.35	.285	.207		
604-WP130WCP2GYW	WP130WCP/2GYW	G	Grn/Yellow	White Diffused	565/590	25/20	2.2/2.1	60°	.96	.607	.408	.322		
604-WP130WDT2GYW	WP130WDT/2GYW	G	Grn/Yellow	White Diffused	565/590	25/20	2.2/2.1	60°	.56	.35	.285	.207		
604-WP934SA3SRD	WP934SA/3SRD	H	Red/Red	Red Diffused	655	300	1.85	40°	1.05	.66	.443	.351		
604-WP934SA3ID	WP934SA/3ID	H	Red/Red	Red Diffused	627	200	1.85	70°	1.05	.66	.443	.351		
604-WP934SA3GD	WP934SA/3GD	H	Grn/Grn	Green Diffused	565	20	2.2	40°	1.05	.66	.443	.351		
604-WP937SB4EGW	WP937SB/4EGW	I	Red/Green	White Diffused	627/565	30/25	2/2.2	60°	1.98	1.31	1.05	.828		
604-WP934SB4ID	WP934SB/4ID	I	Red/Red	Red Diffused	627	20	2	40°	1.24	.804	.713	.47		
604-WP937SB4YGW	WP937SB/4YGW	I	Yellow/Grn	White Diffused	590/565	7/16	2.1/2.2	60°	1.98	1.31	1.05	.828		
604-WP934SB4YD	WP934SB/4YD	I	Yellow	Yellow Diffused	590	15	2.1	40°	1.24	.804	.713	.47		
604-WP934SB4GD	WP934SB/4GD	I	Grn/Grn	Green Diffused	565	20	2.2	40°	1.24	.804	.713	.47		
604-WP934ZHSRD	WP934ZH/SRD	J	Red/Red	Red Diffused	660	300	1.85	40°	.52	.33	.269	.195		
604-WP934ZHID	WP934ZH/ID	J	Red/Red	Red Diffused	627	20	2	40°	.52	.33	.269	.195		
604-WP934ZHGD	WP934ZH/GD	J	Yellow	Yellow Diffused	590	15	2.1	40°	.52	.33	.269	.195		
604-WP934ZHG	WP934ZH/GD	J	Grn/Grn	Green Diffused	565	20	2.2	40°	.52	.33	.269	.195		
604-WP934CBSRD	WP934CB/SRD	K	Red/Red	Red Diffused	655	300	1.85	40°	.39	.242	.179	.14		
604-WP934CBID	WP934CB/ID	K	Red/Red	Red Diffused	627	20	2	40°	.39	.242	.179	.14		
604-WP934CBYD	WP934CB/YD	K	Yellow	Yellow Diffused	590	15	2.1	40°	.39	.242	.179	.14		
604-WP934CBGD	WP934CB/GD	K	Grn/Grn	Green Diffused	565	20	2.2	40°	.39	.242	.179	.14		
4.7mm														
604-WP1533BQSRD	WP1533BQ/SRD	L	Red/Red	Red Diffused	655	400	1.85	60°	.44	.275	.204	.159		
604-WP1533BQID	WP1533BQ/ID	L	Red/Red	Red Diffused	627	30	2	60°	.44	.275	.204	.159		
604-WP1533BQYD	WP1533BQ/YD	L	Yellow	Yellow Diffused	590	18	2.1	60°	.44	.275	.204	.159		
604-WP1533BQGD	WP1533BQ/GD	L	Grn/Grn	Green Diffused	565	20	2.2	60°	.44	.275	.204	.159		
T-1 3/4 (5mm)														
604-WP1503EB2SRD	WP1503EB/2SRD	M	Red/Red	Red Diffused	655	700	1.85	60°	.73	.46	.309	.244		
604-WP1503EB2ID	WP1503EB/2ID	M	Red/Red	Red Diffused	627	30	2	60°	.73	.46	.309	.244		
604-WP1503EB2YD	WP1503EB/2YD	M	Yellow	Yellow Diffused	590	20	2.1	60°	1.33	.86	.76	.60		
604-WP1503EB2GD	WP1503EB/2GD	M	Grn/Grn	Green Diffused	565	20	2.2	60°	.73	.46	.309	.244		
604-WP59CBEGW	WP59CB/EGW	N	Red/Green	White Diffused	627/565	60/50	2/2.2	60°	.61	.387	.315	.229		
604-WP59CBGYW	WP59CB/GYW	N	Grn/Yellow	White Diffused	565/590	50/40	2.2/2.1	60°	.61	.387	.315	.229		
604-WP59BLGEW	WP59BL/GEW	O	Grn/Red	White Diffused	565/627	50/60	2.2/2.1	60°	.65	.407	.332	.241		
604-WP59BLGYW	WP59BL/GYW	O	Grn/Yellow	White Diffused	565/590	50/40	2.2/2.1	60°	.61	.387	.315	.229		

LITE-ON Thru-Hole LEDs



This page of product is RoHS compliant.



STANDARD LEDS (CONT.)

For quantities greater than listed, call for quote.

MOUSER STOCK NO.		Pkg.	Color		λ (nm)	Inten sity (mcd)	Fwd. Volt.	View Angle (°)	Price Each		
Mfr.	Mfr. Part No.		Source	Lens					1	10	100
859—LTL-4256N		3mm	Yellow	Clear	585	19	2.1	45	.10	.069	.055
859—LTL-1CHYE		3mm	Yellow	Trans.	585	40	2.1	45	.10	.069	.055
859—LTL1CHKGKNN		3mm	Ylw-Grn	Clear	575	310	2.1	45	.12	.107	.09
859—LTL-4231N		3mm	Ylw-Grn	Diff.	572	12.6	2.1	60	.10	.085	.068
859—LTL-1CHG		3mm	Ylw-Grn	Diff.	565	12.6	2.1	60	.10	.069	.055
859—LTL-4231NLC		3mm	Green	Diff.	565	1.1	1.9	60	.12	.109	.092
859—LTL-4231N-1		3mm	Green	Diff.	565	5.6	2.1	60	.10	.069	.055
859—LTL-4231		3mm	Green	Diff.	565	12.6	2.1	40	.10	.085	.068
859—LTL-1CHGE		3mm	Green	Trans.	565	40	2.1	45	.10	.069	.055
859—LTL-4236N		3mm	Green	Clear	565	40	2.1	45	.10	.069	.055
859—LTL-4232		3mm	Green	Trans.	565	40	2.1	20	.10	.069	.055
859—LTL-4232N		3mm	Green	Trans.	565	40	2.1	45	.10	.069	.055
859—LTL17KTGX3KS		3mm	Green	Clear	536	7200	2.75-3.5	30	.23	.20	.16
859—LTL3H3TGUADS1		3mm	Green	Diff.	528	3800	3.2	100/45	.46	.40	.32
859—LTL3H3TGRADS		3mm	Green	Diff.	525	200	3.2	100/45	.29	.262	.204
859—LTL17KTBS3KS		3mm	Blue	Clear	476	1500	2.75-3.5	30	.23	.20	.16
859—LTL3H3TBPADS1		3mm	Blue	Diff.	470	900	3.2	100/45	.46	.40	.32
859—LTL3H3TBLADS		3mm	Blue	Diff.	470	550	3.2	100/45	.29	.262	.204
859—LTL1CHTBK4		3mm	Blue	Clear	468	680	3.5	30	.64	.579	.467
859—LTL1BEKVJNN		3mm	Red/Grn	Diff.	639/575	110	2.0/2.05	45	.16	.141	.11
859—LTL4VMPEPADS		4mm	Red	Diff.	630	680	2.1	50/110	.12	.112	.084
859—LTL4HMPEPADS		4mm	Red	Diff.	629	520	2.1	110/50	.12	.112	.084
859—LTL4HMWSDS-A		4mm	Yellow	Diff.	594.5	1500	2.1	110/50	.12	.112	.084
859—LTL4VMWSDS-A		4mm	Yellow	Diff.	594.5	680	2.1	50/110	.12	.112	.084
859—LTL-4213		5mm	Red	Diff.	697	3.7	2.1	36	.10	.069	.055
859—LTL-307P		5mm	Red	Diff.	697	5.6	2.1	50	.10	.069	.055
859—LTL2R3KRK		5mm	Red	Clear	639	500	2	30	.11	.102	.078
859—LTL2P3KRK		5mm	Red	Clear	639	800	2	22	.11	.102	.078
859—LTL2H3KRK		5mm	Red	Clear	639	1300	2	15	.11	.102	.078
859—LTL3S3QRKNN		5mm	Red	Clear	639	4200	1.9	12	.21	.189	.156
859—LTL-307ELC		5mm	Red	Diff.	635	3.7	1.7	50	.19	.178	.147
859—LTL-4223		5mm	Red	Diff.	635	19	2	36	.10	.069	.055
859—LTL-307EE		5mm	Red	Trans.	635	90	2	40	.10	.069	.055
859—LTL-4224		5mm	Red	Trans.	635	90	2	16	.10	.069	.055
859—LTL181HKEKNN		5mm	Red	Clear	632	65	2.05	130	.13	.118	.095
859—LTL2R3KEK		5mm	Red	Clear	632	700	2.05	30	.11	.102	.078
859—LTL2R3VEKNT		5mm	Red	Clear	632	1200	2	30	.25	.232	.184
859—LTL2H3KEK		5mm	Red	Clear	632	1700	2.05	15	.11	.102	.078
859—LTL2H3VEKNT		5mm	Red	Clear	632	3100	2	15	.27	.253	.197
859—LTL2F3VEKNT		5mm	Red	Clear	632	7200	2	8	.27	.253	.197
859—LTL2H3E21K		5mm	Red	Clear	630	12000	2	15	.18	.162	.124
859—LTL2P3EX2KS		5mm	Red	Clear	630	7200	1.8-2.4	23	.22	.188	.157
859—LTL2V3EY3KS		5mm	Red	Clear	630	7200	1.8-2.5	30	.22	.188	.157
859—LTL2V3EY3K		5mm	Red	Clear	630	2500	2.1	30	.17	.15	.12
859—LTL-4293		5mm	Orange	Diff.	630	29	2	36	.10	.069	.055
859—LTL2V3EY3JSR		5mm	Red	Clear	625	9300	2.1	30	.22	.188	.157
859—LTL2R3EW3KS		5mm	Red	Clear	624	3500	1.9-2.3	30	.17	.15	.12
859—LTL-307E		5mm	Red	Diff.	623	19	2	50	.10	.069	.055
859—LTL2R3FV3KS		5mm	Amber	Clear	610	3200	-	-	.18	.162	.124
859—LTL-307A		5mm	Amber	Diff.	610	29	2.1	50	.10	.069	.055
859—LTL-4273		5mm	Amber	Diff.	600	19	2.1	36	.10	.069	.055
859—LTL2R3KYK		5mm	Yellow	Clear	595	700	2.05	30	.11	.102	.078
859—LTL2V3YX3KS		5mm	Yellow	Clear	594.5	7200	1.8-2.5	30	.23	.20	.16
859—LTL2V3YW3KS		5mm	Yellow	Clear	594.5	5500	2.1	30	.23	.20	.16
859—LTL2V3YV3KS		5mm	Yellow	Diff.	594.5	2500	-	-	.17	.15	.12
859—LTL2T3YR6JS		5mm	Yellow	White	594.5	1150	-	-	.17	.15	.12
859—LTL2R3YW3KS		5mm	Yellow	Clear	594	3800	1.9-2.3	30	.18	.162	.124
859—LTL2H3Y21K		5mm	Yellow	Clear	594	12000	2	15	.18	.162	.124
859—LTL2P3YX2KS		5mm	Yellow	Clear	593	9300	1.8-2.4	23	.22	.188	.157
859—LTL-307YE		5mm	Yellow	Trans.	590	40	2.1	40	.10	.069	.055
859—LTL-307Y		5mm	Yellow	Diff.	588	29	2.1	50	.10	.069	.055
859—LTL2R3KSK		5mm	Yellow	Clear	588	700	2.05	30	.11	.102	.078
859—LTL2H3KSK		5mm	Yellow	Clear	588	1700	2.05	15	.11	.102	.078
859—LTL-307YLC		5mm	Yellow	Diff.	585	3.7	1.8	50	.19	.178	.147
859—LTL-4253		5mm	Yellow	Diff.	585	19	2.1	36	.10	.069	.055
859—LTL-4254		5mm	Yellow	Trans.	585	90	2.1	16	.10	.069	.055
859—LTL2R3KG		5mm	Green	Diff.	574	150	2.1	40	.13	.118	.095
859—LTL2P3KGKNN		5mm	Green	Clear	574	980	2.1	22	.13	.118	.095
859—LTL-307GE		5mm	Ylw-Grn	Trans.	569	60	2.1	40	.10	.069	.055
859—LTL-4238		5mm	Green	Clear	565	16	2.1	90	.10	.069	.055
859—LTL-4233		5mm	Green	Diff.	565	19	2.1	36	.10	.069	.055
859—LTL-307G		5mm	Ylw-Grn	Diff.	565	19	2.1	50	.10	.069	.055
859—LTL-4234		5mm	Green	Trans.	565	60	2.1	16	.10	.066	.051
859—LTL2H3TG5A1K		5mm	Green	Clear	535	16000	2.75-3.5	15	.22	.188	.157
859—LTL2V3TGS3KS		5mm	Green	Clear	535	9300	2.8-3.5	30	.29	.25	.20
859—LTL2P3TGG2KS		5mm	Green	Clear	532	16000	2.75-3.5	23	.23	.20	.16
859—LTL2R3TGY3KS		5mm	Green	Clear	532	16000	3.3	30	.23	.20	.16
859—LTL2T3TGK6		5mm	Green	Clear	530	2500	3.5	30	.92	.821	.652
859—LTL2V3TCYK2		5mm	Green	Clear	513	7200	2.6-3.7	30	.39	.338	.277
859—LTL2H3TBX1K		5mm	Blue	Clear	476	7200	-	-	.28	.238	.197
859—LTL2V3TBS3KS		5mm	Blue	Clear	475	1900	2.8-3.6	30	.24	.212	.164
859—LTL2P3TBU2KS		5mm	Blue	Clear	472	4200	2.75-3.5	23	.24	.212	.164
859—LTL2R3TBV3KS		5mm	Blue	Clear	472	2500	2.8-3.3	30	.23	.20	.16
859—LTL-30EJF		5mm	Red/Grn	Diff.	697/565	5.6/19	2.1	30	.31	.27	.25
859—LTL-30EHJ		5mm	Red/YlwGrn	Diff.	621/569	40/29	2.0/2.1	30	.31	.278	.222

STANDARD LEDS (CONT.)

For quantities greater than listed, call for quote.

MOUSER STOCK NO.		Pkg.	Color		λ (nm)	Inten sity (mcd)	Fwd. Volt.	View Angle (°)	Price Each		
Mfr.	Mfr. Part No.		Source	Lens					1	10	100
859—LTL-30EDJ		5mm	Ylw/Grn	Diff.	588/569	29	2.1	30	.31	.278	.222
859—LTLW-2R3D7		5mm	White	Clear	-	4200	3.4	35	.39	.345	.278
859—LTLW-2S3D7		5mm	White	Clear	-	13000	3.3	15	.39	.345	.278

HIGH FLUX PIRANHA SERIES

For quantities greater than listed, call for quote.

MOUSER STOCK NO.		Pkg.	Color		λ (nm)	Intensity (mcd)	Fwd. Voltage	View Angle (°)	Price Each		
Mfr.	Mfr. Part No.		Source	Lens					1	10	100
859—LTL911VRKSA		DIP-4	Red	Clear	639	0.6	2.15	70	.37	.327	.263

RECTANGULAR LEDS

For quantities greater than listed, call for quote.

MOUSER STOCK NO.		Pkg.	Color		λ (nm)	Intensity (mcd)	Fwd. Voltage	View Angle (°)	Price Each		
Mfr.	Mfr. Part No.		Source	Lens					1	10	100
859—LTL-403P		2X4mm	Red	Diff.	697	1.1	2.1	104	.12	.111	.087
859—LTL-403HR		2X4mm	Red	Diff.	635	2.6	2	104	.10	.094	.072
859—LTL-403Y		2X4mm	Yellow	Diff.	588	2.5	2.1	104	.10	.094	.072
859—LTL-403G		2X4mm	Green	Diff.	565	2.6	2.1	104	.10	.094	.072
859—LTL-433P		2X5mm	Red	Diff.	697	1.1	2.1	140	.12	.111	.087
859—LTL-433HR		2X5mm	Red	Diff.	635	3.7	2	140	.10	.094	.072
859—LTL-433Y		2X5mm	Yellow	Diff.	585	3.7	2.1	140	.10	.094	.072
859—LTL-433G		2X5mm	Green	Diff.	565	3.7	2.1	140	.10	.094	.072

INFRARED EMITTERS

For quantities greater than listed, call for quote.

MOUSER STOCK NO.		Pkg.	Lens Color	λ (nm)	View Angle	Max Fwd Volt	Max Power Output (mW)	Price Each		
Mfr.	Mfr. Part No.							1	10	100
859—LTL-302-M		Side Look	Clear	940	40	1.6	75	.22	.20	.16
859—LTL-3271B		5mm	Clear	940	50	1.6	150	.36	.327	.262

INFRARED RECEIVERS

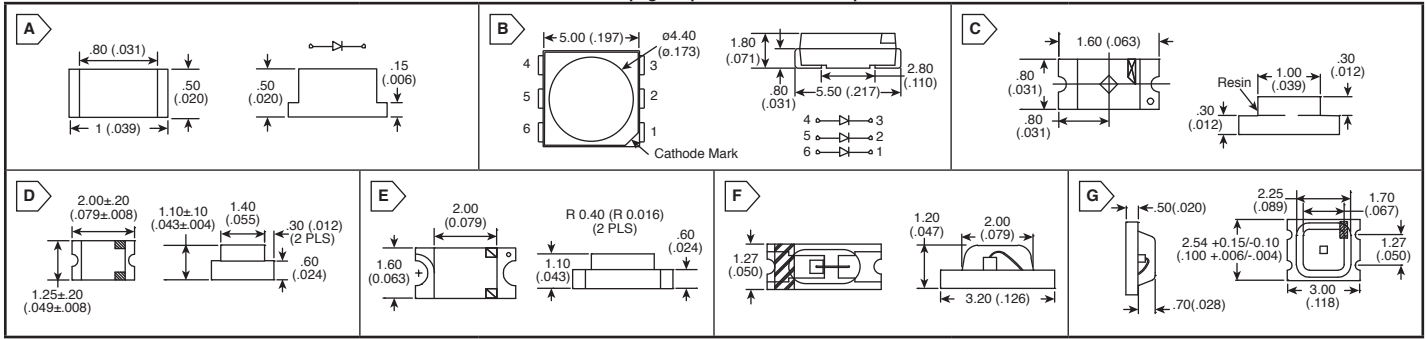
For quantities greater than listed, call for quote.

MOUSER STOCK NO.		Pkg.	Lens Color	View Angle	VC EO	Rise Fall	Max Power (mW)	Ic(on)/Is	Price Each		
Mfr.	Mfr. Part No.								1	10	100
859—LTL-209		3mm	Clear	8	30	10/15	100	0.8	.32	.28	.228
859—LTL-4206		3mm	Clear	10	30	10/10	100	0.8	.14	.123	.096
859—LTL-4206E		3mm	Filtered	10	30	10/10	100	0.8	.14	.123	.096
859—LTL-3208		5mm	Clear	10	30	10/1					

LUMEX SMD LEDs



RoHS Compliant. This page of product is RoHS compliant.



LED Indication Lumex

SURFACE MOUNT LEDs

DIMENSIONS: mm (in.)

For quantities greater than listed, call for quote.

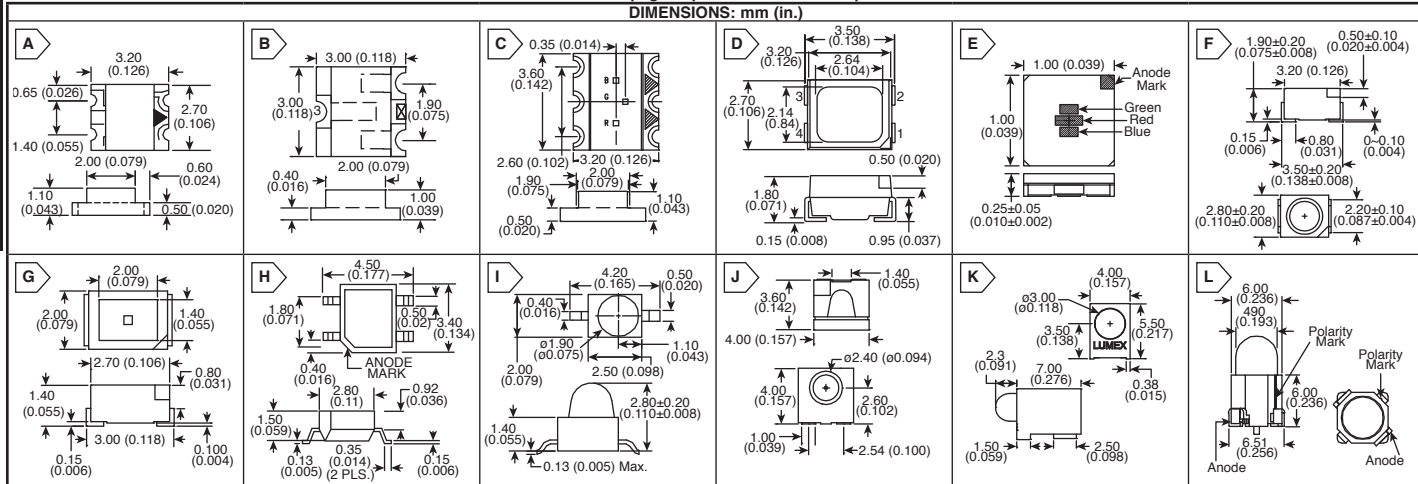
MOUSER STOCK NO.	Lumex Part No.	Fig.	Color		Peak Wavelength (nm)	IO mcd	Vf (V) Typ.	If (mA) Max.	Viewing Angle	Price Each			
			LED	Lens						1	100	500	1000
0402 High Bright													
696-SML-LX0402SICTR	SML-LX0402SIC-TR	A	Red	Water Clear	636	140	2	20	120°	.35	.185	.168	.134
696-SML-LX0402SOCTR	SML-LX0402SOC-TR	A	Orange	Water Clear	610	120	2	20	120°	.32	.222	.192	.148
696-SML-LX0402SUGCTR	SML-LX0402SUGC-TR	A	Green	Water Clear	574	45	2.2	20	120°	.63	.347	.263	.207
696-SML-LX0402UPGCTR	SML-LX0402UPG-TR	A	Pure Green	Water Clear	525	110	3.5	20	120°	1.71	1.01	.877	.752
696-SML-0402USBCTR	SML-LX0402USBC-TR	A	Blue	Water Clear	470	20	3.5	20	120°	.68	.59	.555	.50
5050													
696-SML-LX5050SIC-TR	SML-LX5050SIC-TR	B	Red	Water Clear	636	85	2	30	120°	.60	.54	.50	.483
696-SML-LX5050SOC-TR	SML-LX5050SOC-TR	B	Orange	Water Clear	625	1650	3	50	120°	.60	.54	.50	.483
696-SML-LX5050SUGCTR	SML-LX5050SUGC-TR	B	Green	Water Clear	574	80	2	30	120°	.48	.44	.40	.39
696-SML-LX5050SYC-TR	SML-LX5050SYC-TR	B	Yellow	Water Clear	590	1350	2.5	50	120°	.60	.54	.50	.483
696-SML-LX5050UPGCTR	SML-LX5050UPG-TR	B	Green	Water Clear	525	800	3.4	30	120°	.48	.44	.40	.39
696-SML-LX5050USBCTR	SML-LX5050USBC-TR	B	Blue	Water Clear	470	190	3.3	30	120°	.45	.41	.38	.366
0603													
696-SML-LX0603SRW	SML-LX0603SRW-TR	C	Super Red	White Diffused	660	45	1.8	30	140°	.43	.141	.102	.08
696-SML-LX0603SIW	SML-LX0603SIW-TR	C	Super Intensity Red	White Diffused	636	60	2	30	140°	.34	.267	.231	.178
696-SML-LX0603IW	SML-LX0603IW-TR	C	Red	White Diffused	635	14	2	30	160°	.50	.14	.095	.075
696-SML-LX0603SOW	SML-LX0603SOW-TR	C	Super Orange	White Diffused	610	60	2	30	140°	.34	.27	.251	.198
696-SML-LX0603SYW	SML-LX0603SYW-TR	C	Super Yellow	White Diffused	590	60	2	30	140°	.49	.24	.208	.16
696-SML-LX0603YW	SML-LX0603YW-TR	C	Yellow	White Diffused	585	14	2.1	30	160°	.49	.135	.091	.072
696-SML-LX0603SUGW	SML-LX0603SUGW-TR	C	Super Ultra Green	White Diffused	574	45	2.2	25	140°	.49	.276	.239	.184
696-SML-LX0603GW	SML-LX0603GW-TR	C	Green	White Diffused	565	18	2.2	25	160°	.50	.14	.095	.075
696-SML-LX0603UWDR	SML-LX0603UWD-TR	C	White	White Diffused	585	160	3.5	20	140°	.92	.568	.478	.413
0805													
696-SML-LX0805SRW	SML-LX0805SRW-TR	D	Super Red	White Diffused	660	21	1.8	30	140°	.30	.132	.096	.075
696-SML-LX0805SIC	SML-LX0805SIC-TR	D	Super Red	Water Clear	636	60	2	30	140°	.36	.201	.175	.134
696-SML-LX0805IW	SML-LX0805IW-TR	D	Red	White Diffused	635	11	2	30	140°	.35	.135	.091	.072
696-SML-LXR85IC	SML-LXR85IC-TR	D	Red	Water Clear	635	12	2	25	130°	.26	.21	.18	.142
696-SML-LX0805SOC	SML-LX0805SOC-TR	D	Super Orange	Water Clear	610	60	2	30	140°	.50	.279	.242	.186
696-SML-LXR85SYC	SML-LXR85SYC-TR	D	Yellow	Water Clear	595	50	2	25	130°	.46	.36	.34	.282
696-SML-LX0805YW	SML-LX0805YW-TR	D	Yellow	White Diffused	585	10	2.1	30	140°	.43	.141	.102	.08
696-SML-LXR85SUGC	SML-LXR85SUGC-TR	D	Green	Water Clear	574	45	2.2	25	180°	.48	.39	.342	.269
696-SML-LX0805GW	SML-LX0805GW-TR	D	Green	White Diffused	565	11	2	30	140°	.47	.154	.112	.087
696-SML-LX0805SUGW	SML-LX0805SUGW-TR	D	Green	Water Clear	565	200	2.2	30	30°	1.41	1.17	.94	.79
696-SML-LXR85UPGC	SML-LXR85UPGC-TR	D	Green	Water Clear	525	45	3.5	25	160°	1.65	1.60	1.54	1.50
696-SML-LX0805UPGC	SML-LX0805UPGC-TR	D	Ultra Green	Water Clear	525	45	3.5	30	140°	1.76	1.04	.908	.778
696-SML-LX0805USBC	SML-LX0805USBC-TR	D	Super Blue	Water Clear	470	25	3.5	30	140°	1.54	.946	.795	.688
696-SML-LX0805UWCTR	SML-LX0805UWC-TR	D	White	Water Clear	-	150	3.5	20	120°	1.10	.93	.82	.74
1206													
696-SML-LX1206SRC	SML-LX1206SRC-TR	E	Super Red	Water Clear	660	15	1.8	30	160°	.44	.186	.112	.088
696-SML-LX1206SRW	SML-LX1206SRW-TR	E	Super Red	White Diffused	660	15	1.8	30	160°	.32	.159	.144	.116
696-SML-LX1206SIC	SML-LX1206SIC-TR	E	Super Intensity Red	Water Clear	636	70	2	30	140°	.52	.242	.165	.132
696-SML-LX1206IC	SML-LX1206IC-TR	E	Red	Water Clear	635	6	2	25	160°	.43	.169	.102	.08
696-SML-LX1206IW	SML-LX1206IW-TR	E	Red	White Diffused	635	6	2	25	160°	.53	.206	.124	.098
696-SML-LX1206SOC	SML-LX1206SOC-TR	E	Super Orange	Water Clear	610	70	2	30	140°	.43	.243	.21	.162
696-SML-LX1206SYC	SML-LX1206SYC-TR	E	Super Yellow	Water Clear	590	70	2	30	140°	.56	.361	.308	.243
696-SML-LX1206YC	SML-LX1206YC-TR	E	Yellow	Water Clear	585	6	2.1	25	160°	.51	.201	.121	.095
696-SML-LX1206SUGC	SML-LX1206SUGC-TR	E	Super Ultra Green	Water Clear	574	45	2.2	25	140°	.64	.355	.267	.211
696-SML-LX1206GC	SML-LX1206GC-TR	E	Green	Water Clear	565	10	2.2	25	160°	.44	.185	.112	.088
696-SML-LX1206GW	SML-LX1206GW-TR	E	Green	White Diffused	565	10	2.2	25	160°	.27	.204	.147	.118
1.2mm x 3.2mm													
696-CCL-LX45IT	CCL-LX45IT	F	Red	Red Transparent	635	7.2	2.1	30	180°	1.34	.814	.685	.592
696-CCL-LX45YT	CCL-LX45YT	F	Yellow	Yellow Transparent	585	7	2.3	30	180°	1.42	.863	.726	.588
696-CCL-LX45GT	CCL-LX45GT	F	Green	Green Transparent	565	7	2.2	30	180°	1.34	.814	.685	.592
2.5mm x 3mm													
696-SML-LX23SRC	SML-LX23SRC-TR	G	Super Red	Water Clear	660	100	1.8	30	90°	.51	.288	.25	.192
696-CCL-CRS10R	CCL-CRS10R	G	Red	Water Clear	635	4	2	25	180°	1.12	.536	.469	.368
696-SML-LX23IC	SML-LX23IC-TR	G	Red	Water Clear	635	20	2	30	120°	.45	.255	.221	.17
696-SML-LX23YC	SML-LX23YC-TR	G	Yellow	Water Clear	585	20	2.1	30	120°	.48	.27	.234	.18
696-CCL-CRS10G	CCL-CRS10G	G	Green	Water Clear	565	12	2	25	180°	.92	.563	.473	.41
696-SML-LX23GC	SML-LX23GC-TR	G	Green	Water Clear	565	20	2.1	25	120°	.43	.243	.211	.162

LUMEX SMD LEDs



RoHS Compliant. This page of product is RoHS compliant.

DIMENSIONS: mm (in.)



SURFACE MOUNT LEDs (CONT.)

For quantities greater than listed, call for quote.

MOUSER STOCK NO.	Lumex Part No.	Fig.	Color		Peak Wavelength (nm)	Vf (V) Typ.	If (mA) Max.	IO mcd	Viewing Angle	Price Each			
			LED	Lens						1	100	500	1000
1210 - Dual Color													
696-SMLLX1210SRSRC	SML-LX1210SRSRC-TR	A	Sup. Red/Sup. Red	Water Clear	660	1.7	30	15	160°	.51	.33	.282	.222
696-SML-LX1210IGC	SML-LX1210IGC-TR	A	Red/Green	Water Clear	635/565	2.0/2.2	25	10	160°	.36	.201	.174	.134
696-SML-LX1210YGC	SML-LX1210YGC-TR	A	Yellow/Green	Water Clear	585/565	2.1/2.2	25	10	160°	.29	.222	.192	.148
696-SML-LX1210GGC	SML-LX1210GGC-TR	A	Green/Green	Water Clear	565/565	2.2	25	10	160°	.49	.276	.24	.184
696-SMLLX1210SRSGC	SML-LX1210SRSGC-TR	A	Red/Green	Water Clear	660/565	1.8/2.2	30/25	15/10	160°	.48	.27	.234	.18
696-SML-LX1210IIC	SML-LX1210IIC-TR	A	Red/Red	Water Clear	635	2	25	10	160°	.37	.32	.27	.243
SOT-23													
696-SML-LX151C	SML-LX151C-TR	B	Red	Water Clear	635	2	30	10	140°	.41	.231	.20	.154
696-SML-LX15SYC	SML-LX15SYC-TR	B	Super Yellow	Water Clear	590	2.1	30	60	140°	.50	.325	.277	.218
696-SML-LX15YC	SML-LX15YC-TR	B	Yellow	Water Clear	585	2.1	30	10	140°	.52	.39	.327	.29
696-SML-LX15SUGC	SML-LX15SUGC-TR	B	Super Ultra Green	Water Clear	574	2.2	25	45	140°	.45	.292	.25	.197
SOT-23 Reverse Polarity													
696-SML-LX151C-RP	SML-LX151C-RP-TR	B	Red	Water Clear	635	2	30	10	140°	.50	.282	.244	.188
696-SML-LX156C-RP	SML-LX156C-RP-TR	B	Green	Water Clear	565	2.1	25	10	140°	.45	.303	.258	.204
RGB Full Spectrum													
696-LX3632SISUGSBC	SML-LX3632SISUGSBC	C	RGB	Water Clear	660/574/470	2.0/2.2/3.5	25/25/30	110/60/60	120°	2.26	1.33	1.16	.911
696-LX2835SISUGSBC	SML-LX2835SISUGSBC	D	RGB	Water Clear	636/574/430	2.0/2.2/3.5	25/25/30	80/80/80	120°	2.42	1.43	1.14	.976
696-LX0404SIUPGUSB	SML-LX0404SIUPGUSB	E	RGB	Water Clear	632/518/465	---	30/25/10	30/40/20	120°	1.20	.665	.492	.399
2.8mm x 3.2mm													
696-SML-LX2832SRC	SML-LX2832SRC-TR	F	Super Red	Water Clear	660	1.7	30	100	120°	.43	.275	.235	.185
696-SML-LX2832IC	SML-LX2832IC-TR	F	Red	Water Clear	635	2	30	25	120°	.42	.234	.202	.156
696-SML-LX2832YC	SML-LX2832YC-TR	F	Yellow	Water Clear	585	2.1	30	15	120°	.41	.231	.20	.154
696-SML-LX2832GC	SML-LX2832GC-TR	F	Green	Water Clear	565	2.1	25	25	120°	.41	.228	.197	.152
696-SML-LX2832USBC	SML-LX2832USBC-TR	F	Ultra Super Blue	Water Clear	470	3.5	30	60	120°	.54	.35	.299	.235
696-SML-LX2832SIC	SML-LX2832SIC-TR	F	Super Intensity Red	Water Clear	636	2	30	250	120°	.51	.328	.28	.221
696-SML-LX2832SOC	SML-LX2832SOC-TR	F	Super Orange	Water Clear	610	2	30	300	120°	.72	.54	.452	.38
696-SML-LX2832SYC	SML-LX2832SYC-TR	F	Super Yellow	Water Clear	595	2	30	80	120°	.62	.402	.344	.271
696-SML-LX2832SUGC	SML-LX2832SUGC-TR	F	Super Ultra Green	Water Clear	574	2.2	25	150	120°	.51	.328	.28	.221
2mm x 3mm													
696-SML-LX23SIC	SML-LX23SIC-TR	G	Super Intensity Red	Water Clear	636	2	30	300	90°	.63	.407	.348	.274
696-SML-LX23SOC	SML-LX23SOC-TR	G	Super Orange	Water Clear	610	2.45	30	300	90°	.92	.80	.69	.57
1.7mm x 2.5mm													
696-SSL-LXA3025IGC	SSL-LXA3025IGC-TR	H	Red/Green	Water Clear	635/565	2.0/2.1	30/25	12/20	130°	.60	.385	.329	.232
696-SSL-LXA3025YGC	SSL-LXA3025YGC-TR	H	Yellow/Green	Water Clear	585/565	2.1	30/25	12	130°	.78	.372	.325	.217
2mm x 2.5mm Gull Wing													
696-SSL-LXA228SIC	SSL-LXA228SIC-TR11	I	Super Intensity Red	Water Clear	632	2	30	475	50°	.60	.374	.327	.234
696-SSL-LXA228SOC	SSL-LXA228SOC-TR11	I	Super Orange	Water Clear	610	2	30	700	25°	.60	.388	.331	.234
696-SSL-LXA228SYC	SSL-LXA228SYC-TR11	I	Super Yellow	Water Clear	590	2	30	300	25°	.51	.328	.28	.198
696-SSL-LXA228SUGC	SSL-LXA228SUGC-TR11	I	Green	Water Clear	574	2.2	30	200	30°	.52	.349	.298	.21
3.6 x 4mm Right Angle													
696-SML-LXR44SRC	SML-LXR44SRC-TR	J	Super Red	Water Clear	660	1.7	30	80	90°	.46	.418	.30	.261
696-SML-LXR44IC	SML-LXR44IC-TR	J	Red	Water Clear	635	2	30	25	90°	.62	.294	.22	.196
696-SML-LXR44YC	SML-LXR44YC-TR	J	Yellow	Water Clear	585	2.1	30	9	90°	.53	.341	.267	.206
696-SML-LXR44GC	SML-LXR44GC-TR	J	Green	Water Clear	565	2.2	25	25	90°	.45	.286	.223	.172
T1 (3mm) Right Angle													
696-SSF-LXH305ID	SSF-LXH305ID-TR	K	Red	Red Diffused	635	2	30	40	60°	.96	.595	.52	.372
696-SSF-LXH305YD	SSF-LXH305YD-TR	K	Yellow	Yellow Diffused	585	2.1	30	30	60°	.93	.57	.48	.363
696-SSF-LXH305GD	SSF-LXH305GD-TR	K	Green	Green Diffused	565	2.2	25	30	60°	1.00	.612	.514	.389
696-SSF-LXH305USB	SSF-LXH305USB-TR	K	Ultra Super Blue	Blue Diffused	470	3.5	30	80	60°	5.46	4.68	3.90	2.27
696-SSF-LXH305SID	SSF-LXH305SID-TR	K	Super Intensity Red	Red Diffused	636	2	30	100	60°	2.51	2.19	1.89	.848
696-SSF-LXH305SYD	SSF-LXH305SYD-TR	K	Super Yellow	Yellow Diffused	590	2.1	30	250	60°	2.51	2.19	1.89	.848
T1 3/4 (5mm) OctoLED TM SMD LEDs													
696-H1505SICTR	SML-H1505SIC-TR	L	Red	Water Clear	635	2	20	700	60°	1.01	.48	.434	.38
696-H1505OCTR	SML-H1505SOC-TR	L	Amber	Water Clear	610	2	20	1500	68°	1.39	.664	.605	.528
696-H1505SYCTR	SML-H1505SYC-TR	L	Yellow	Water Clear	590	2	20	750	60°	1.01	.48	.434	.384
696-H1505UPGCTR	SML-H1505UPGC-TR	L	Pure Green	Water Clear	525	3.4	20	7000	45°	1.64	1.40	.709	.627
696-H1505USBCTR	SML-H1505USBC-TR	L	Blue	Water Clear	470	3.4	20	2500	40°	1.67	1.42	.714	.626
696-H1505UWCTR	SML-H1505UWC-TR	L	White	Water Clear	- - -	3.3	20	14000	30°	1.10	.846	.762	.668
696-H1505SIUGBCTR	SML-H1505SIUGBCTR	L	RBG Full Color	Water Clear	635/525/470	2/3.4/3.4	20	1100/600/2200	70°	2.38	1.13	1.02	.902

LUMEX LED Panel Mount Indicators



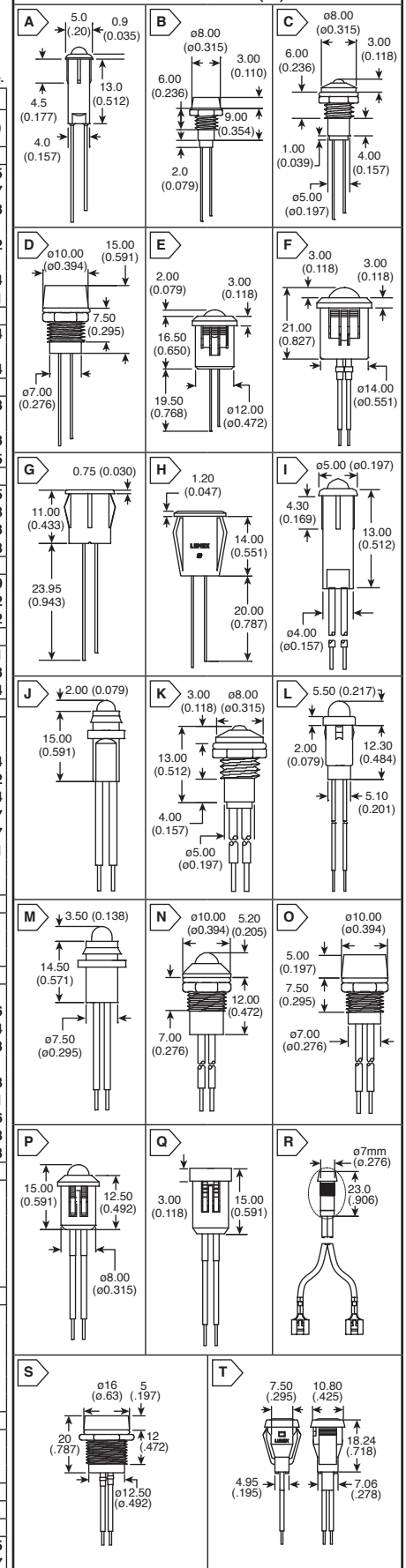
Products may be RoHS compliant. Check mouser.com for RoHS status.

LED INDICATORS

For quantities greater than listed, call for quote.

MOUSER STOCK NO.	Lumex Part No.	Fig.	Emitted Color	Peak Wavelength (nm)	Vf (V) Typ.	If (mA) Max.	IO mcd	Viewing Angle (°)	Price Each			
									1	100	500	1000
T1 (3mm) Straight Terminals												
696-SSI-LXH312ID	SSI-LXH312ID	A	Red	635	2	30	10	80	.75	.492	.374	.325
696-SSI-LXR1612SRD	SSI-LXR1612SRD	B	Super Red	660	1.7	30	70	80	2.00	1.03	.915	.787
696-SSI-LXR1612ID	SSI-LXR1612ID	B	Red	635	2	30	40	60	1.94	1.11	.888	.763
696-SSI-LXR1612GD	SSI-LXR1612GD	B	Green	565	2.1	25	30	60	1.88	1.07	.859	.74
696-SSI-LXR3612SRD	SSI-LXR3612SRD	C	Super Red	660	1.7	30	65	80	1.69	.983	.873	.752
696-SSI-LXR3612ID	SSI-LXR3612ID	C	Red	635	2	30	10	80	1.94	1.11	.884	.76
696-SSI-LXR3612YD	SSI-LXR3612YD	C	Yellow	585	2	30	10	80	1.92	.988	.878	.754
696-SSI-LXR3612GD	SSI-LXR3612GD	C	Green	565	2.2	25	30	60	2.11	1.20	.828	.711
T1 3/4 (5mm) Straight Terminals												
696-SSI-LXR4815ID	SSI-LXR4815ID	D	Red	635	2	30	40	60	1.89	1.08	.865	.744
696-SSI-LXR4815YD	SSI-LXR4815YD	D	Yellow	585	2.1	30	20	60	1.23	.917	.827	.71
696-SSI-LXR4815GD	SSI-LXR4815GD	D	Green	565	2.2	25	30	60	1.92	1.08	.816	.674
8mm Straight Terminals												
696-SSI-LXH8080SRD	SSI-LXH8080SRD	E	Super Red	660	1.7	30	80	60	1.23	.762	.647	.603
696-SSI-LXH8080ID	SSI-LXH8080ID	E	Red	635	2	30	40	60	.82	.618	.571	.47
696-SSI-LXH8080YD	SSI-LXH8080YD	E	Yellow	585	2.1	30	30	60	.82	.618	.55	.453
696-SSI-LXH8080GD	SSI-LXH8080GD	E	Green	565	2.2	25	30	60	.97	.594	.504	.415
10mm Straight Terminals												
696-SSI-LXH1090SRD	SSI-LXH1090SRD	F	Super Red	660	1.7	30	80	60	1.50	.928	.788	.735
696-SSI-LXH1090ID	SSI-LXH1090ID	F	Red	635	2	30	40	60	1.35	.984	.836	.688
696-SSI-LXH1090YD	SSI-LXH1090YD	F	Yellow	585	2.1	30	30	60	1.42	.934	.83	.713
696-SSI-LXH1090GD	SSI-LXH1090GD	F	Green	565	2.2	25	30	60	1.43	.884	.751	.618
Square Straight Terminals												
696-SSI-LXH55ID	SSI-LXH55ID	G	Red	635	2	30	10	80	.98	.656	.557	.459
696-SSI-LXH55YD	SSI-LXH55YD	G	Yellow	585	2.1	30	10	80	.67	.473	.408	.322
696-SSI-LXH55GD	SSI-LXH55GD	G	Green	565	2.2	25	10	80	.52	.341	.294	.232
Rectangular Straight Terminals												
696-SSI-LXH072ID	SSI-LXH072ID	H	Red	635	2	30	15	52	.97	.602	.512	.421
696-SSI-LXH072YD	SSI-LXH072YD	H	Yellow	585	2.1	30	9	52	1.04	.662	.562	.463
696-SSI-LXH072GD	SSI-LXH072GD	H	Green	565	2.2	25	9	52	.84	.52	.442	.364
3mm (T1) 6° Leads												
696-LXH312ID-150	SSI-LXH312ID-150	I	Red	635	2	30	10	80	1.04	.58	.44	.36
696-LXH312SYD-150	SSI-LXH312SYD-150	I	Yellow	685	2.1	30	30	60	1.71	1.42	1.14	.99
696-LXH312GD-150	SSI-LXH312GD-150	I	Green	565	2.1	25	10	80	1.09	.607	.462	.364
696-RM3091SRD-150	SSI-RM3091SRD-150	J	Super Red	660	1.7	30	100	60	1.95	1.37	1.22	.992
696-RM3091SID-150	SSI-RM3091SID-150	J	AllnGap Red	636	2	30	100	60	2.08	1.21	1.08	.874
696-RM3091ID-150	SSI-RM3091ID-150	J	Red	635	2	30	40	60	2.02	1.18	1.04	.897
696-RM3091SYD-150	SSI-RM3091SYD-150	J	Super Yellow	590	2.1	30	100	60	1.87	1.09	.962	.827
696-RM3091YD-150	SSI-RM3091YD-150	J	Yellow	585	2.1	30	30	60	1.57	1.08	.961	.781
696-RM3091SGD-150	SSI-RM3091SGD-150	J	Sup. Ult. Green	574	2.2	25	50	60	2.20	1.65	1.52	1.25
696-RM3091GD-150	SSI-RM3091GD-150	J	Green	565	2.2	25	30	60	2.54	1.63	1.47	1.35
3mm (T1) Chrome, 6° Leads												
696-LXR3612SID-150	SSI-LXR3612SID-150	K	Red	636	2	25	100	60	3.87	3.22	2.58	2.25
696-LXR3612SYD-150	SSI-LXR3612SYD-150	K	Yellow	590	2	25	100	60	3.87	3.22	2.58	2.25
696-LXR3612USBD150	SSI-LXR3612USBD150	K	Blue	470	3.5	25	60	60	8.91	7.42	5.94	5.19
5mm (T1 3/4) 6° Leads												
696-LXH600SID-150	SSI-LXH600SID-150	L	AllnGap Red	636	2	25	100	60	1.74	1.44	1.16	1.00
696-LXH600ID-150	SSI-LXH600ID-150	L	Red	635	2	30	40	60	1.16	.652	.493	.404
696-LXH600SYD-150	SSI-LXH600SYD-150	L	Yellow	590	2	25	100	60	1.54	1.28	1.03	.896
696-LXH600GD-150	SSI-LXH600GD-150	L	Green	565	2.2	25	30	60	1.15	.648	.49	.403
696-LXH600SBD-150	SSI-LXH600SBD-150	L	Blue	470	3.5	25	60	60	6.60	5.50	4.40	3.85
696-LXH600HGW-150	SSI-LXH600HGW-150	L	Red/Green	700/565	2.0/2.2	25	6/25	60	1.45	.816	.617	.508
696-LXH9SRD-150	SSI-LXH9SRD-150	M	Super Red	660	1.7	30	80	60	1.07	.658	.56	.461
696-SSI-LXH9ID-150	SSI-LXH9ID-150	M	Red	635	2	25	10	60	1.96	.98	.833	.686
696-SSI-LXH9YD-150	SSI-LXH9YD-150	M	Yellow	585	2.1	30	30	60	.98	.73	.678	.558
696-SSI-LXH9GD-150	SSI-LXH9GD-150	M	Green	565	2.2	25	30	60	.98	.731	.623	.513
5mm (T1 3/4) Chrome, 6°												
696-LXR3816SID-150	SSI-LXR3816SID-150	N	Red	590	2	25	100	60	2.43	1.96	1.69	1.57
696-LXR3816SYD-150	SSI-LXR3816SYD-150	N	Yellow	590	2	25	100	60	3.87	3.22	2.58	2.25
696-LXR3816USBD150	SSI-LXR3816USBD150	N	Blue	470	3.5	25	60	60	8.91	7.42	5.94	5.19
696-LXR4815SID-150	SSI-LXR4815SID-150	O	Red	636	2	25	100	60	3.42	2.85	2.28	1.99
696-LXR4815SYD-150	SSI-LXR4815SYD-150	O	Yellow	590	2	25	100	60	3.52	2.93	2.34	2.04
696-LXR4815USBD150	SSI-LXR4815USBD150	O	Blue	470	3.5	25	60	60	6.05	5.04	4.40	3.85
5mm (T1 3/4) Black, 6° Leads												
696-LXR5010SID-150	SSI-LXR5010SID-150	P	Red	636	2	25	100	60	2.55	2.12	1.70	1.48
696-LXR5010SYD-150	SSI-LXR5010SYD-150	P	Yellow	590	2	25	100	60	2.90	2.41	1.93	1.68
696-LXR5020SID-150	SSI-LXR5020SID-150	Q	Red	636	2	25	100	60	2.93	2.43	1.95	1.70
696-LXR5020SYD-150	SSI-LXR5020SYD-150	Q	Yellow	590	2	25	100	60	2.55	2.12	1.70	1.48
696-LXR5020SPGD150	SSI-LXR5020SPGD150	Q	Green	574	2.2	25	50	60	4.05	3.38	2.70	2.36
696-LXR5020USBD150	SSI-LXR5020USBD150	Q	Blue	470	3.5	25	60	60	4.88	1.94	1.61	1.34
5mm Chrome 20° Wire Leads with Connector												
696-LXR9126SID110V6	SSI-LXR9126SID110V6	R	Red	636	120VAC	-	100	60	7.77	4.69	4.03	3.81
696-LXR9126SGD110V6	SSI-LXR9126SGD110V6	R	Green	574	120VAC	-	170	60	9.11	5.50	4.72	4.47
696-LXR9126SYD110V6	SSI-LXR9126SYD110V6	R	Yellow	590	120VAC	-	170	60	7.97	4.81	4.35	4.23
10mm 6° Terminal												
696-LXR4915SYD-150	SSI-LXR4915SYD-150	S	Yellow	590	2	25	100	60	8.39	6.99	5.59	4.88
12mm Square ESD Safe, 6° Leads												
696-LXMP5011SRC150	SSI-LXMP5011SRC150	T	Super Red	660	1.7	25	60	60	1.31	.98	.912	.855
696-LXMP5011YC-150	SSI-LXMP5011YC-150	T	Yellow	585	2.1	30	15	60	1.19	.89	.821	.777

DIMENSIONS: mm (in.)



LUMEX LED Panel Mount Indicators and LEDs



RoHS Compliant This page of product is RoHS compliant.

Lumex LED Indication

THRU-HOLE LEDs

For quantities greater than listed, call for quote.

MOUSER STOCK NO.	Lumex Part No.	Color		Wavelength (nm)	Typ. Volt. (V)	Current (mA)	Intensity (mcd)	Viewing Angle	Price Each			
		LED	Lens						1	100	500	1000
T1 (3mm) - Standard LEDs												
696-OED-EL-8L	OED-EL-8L	Infrared	Water Clear	940	1.2	100	-	30°	.25	.193	.161	.126
696-SSL-LX3044HD	SSL-LX3044HD	Dark Red	Red Diffused	700	2	25	8	60°	.10	.083	.073	.073
696-SSL-LX3044SRC/D	SSL-LX3044SRC/D	Super Red	Water Clear	660	1.8	30	600	30°	.41	.192	.115	.096
696-SSL-LX3044ID	SSL-LX3044ID	Red	Red Diffused	635	2	30	30	60°	.30	.172	.092	.075
696-SSL-LX3044IT	SSL-LX3044IT	Red	Red Trans.	635	2	30	30	20°	.15	.13	.10	.09
696-SSL-LX3044LID	SSL-LX3044LID	Red	Red Diffused	635	2	30	30	60°	.44	.182	.098	.08
696-SSL-LX3044IC	SSL-LX3044IC	Red	Water Clear	635	2.1	30	125	30°	.46	.192	.103	.085
696-SSL-LX3044ID-5V	SSL-LX3044ID-5V	Red	Red Diffused	635	5	20	5	80°	.29	.237	.193	.151
696-LX3044ID-12V	SSL-LX3044ID-12V	Red	Red Diffused	635	12	20	5	80°	.39	.216	.184	.144
696-SSL-LX3044AD	SSL-LX3044AD	Amber	Amber Diffused	605	2.1	30	15	60°	.49	.203	.109	.089
696-SSL-LX3044YC	SSL-LX3044YC	Yellow	Water Clear	585	2.1	30	90	30°	.15	.12	.10	.08
696-SSL-LX3044YD	SSL-LX3044YD	Yellow	Yellow Diffused	585	2.1	30	30	60°	.40	.166	.09	.073
696-SSL-LX3044YT	SSL-LX3044YT	Yellow	Yellow Trans.	585	2.1	30	40	20°	.20	.159	.117	.098
696-SSL-LX3044LYD	SSL-LX3044LYD	Yellow	Yellow Diffused	585	2.1	30	30	60°	.34	.143	.106	.087
696-SSL-LX3044YD-5V	SSL-LX3044YD-5V	Yellow	Yellow Diffused	585	5	20	5	80°	.31	.26	.213	.177
696-SSL-LX3044GT	SSL-LX3044GT	Green	Green Trans.	565	2.1	25	40	20°	.35	.203	.109	.089
696-SSL-LX3044GC	SSL-LX3044GC	Green	Water Clear	565	2.2	25	100	30°	.40	.166	.09	.073
696-SSL-LX3044GD	SSL-LX3044GD	Green	Green Diffused	565	2.2	25	40	60°	.38	.156	.084	.069
696-SSL-LX3044LGD	SSL-LX3044LGD	Green	Green Diffused	565	2.2	25	30	60°	.44	.182	.098	.08
696-SSL-LX3044GD-5V	SSL-LX3044GD-5V	Green	Green Diffused	565	5	20	6	80°	.54	.256	.184	.15
696-LX3044GD-12V	SSL-LX3044GD-12V	Green	Green Diffused	565	12	20	6	80°	.27	.23	.204	.16
696-SSL-LX3044PGD	SSL-LX3044PGD	Pure Green	Green Diffused	555	2.2	25	20	60°	.39	.161	.12	.098
T1 (3mm) - High Brightness												
696-SSL-LX3044SOC	SSL-LX3044SOC	Super Orange	Water Clear	620	2	30	1000	30°	.77	.488	.421	.333
696-SSL-LX3044SYC	SSL-LX3044SYC	Super Yellow	Water Clear	590	2.1	30	1000	30°	.48	.364	.279	.215
696-SSL-LX3044UEGC	SSL-LX3044UEGC	Green	Water Clear	502	3.5	25	1100	30°	1.69	.986	.876	.753
696-SSL-LX3044USBC	SSL-LX3044USBC	Blue	Water Clear	470	3.5	30	1000	30°	1.66	.932	.704	.58
696-SSL-LX3044USBD	SSL-LX3044USBD	Blue	Blue Diffused	470	3.5	30	80	60°	1.45	.814	.615	.58

THRU-HOLE T1 3/4 (5MM)

For quantities greater than listed, call for quote.

MOUSER STOCK NO.	Lumex Part No.	Color		Wavelength (nm)	Typ. Volt. (V)	Current (mA)	Intensity (mcd)	Viewing Angle	Price Each			
		LED	Lens						1	100	500	1000
InspirationLED												
696-SSL-LX5093PC	SSL-LX5093PC	Pink	Water Clear	-	3.5	20	2200	20°	1.55	.873	.659	.543
696-SSL-LX5093TC	SSL-LX5093TC	Turquoise	Water Clear	-	3.5	20	2200	20°	1.08	.605	.457	.376
696-SSL-LX5093VC	SSL-LX5093VC	Purple	Water Clear	-	3.5	20	2200	20°	1.22	.688	.52	.428
T1 3/4 (5mm) - Standard LEDs												
696-OED-EL-1L2	OED-EL-1L2	Infrared	Water Clear	940	1.2	100	-	30°	.35	.194	.165	.129
696-SSL-LX5093HD	SSL-LX5093HD	Dark Red	Red Diffused	700	2.1	25	6	60°	.39	.161	.086	.071
696-SSL-LX5093HT	SSL-LX5093HT	Dark Red	Red Trans.	695	2	25	25	30°	.12	.10	.08	.07
696-SSL-LX5093HD-5V	SSL-LX5093HD-5V	Dark Red	Red Diffused	695	5	10	3	80°	.46	.257	.219	.171
696-LX5093SRD/D	SSL-LX5093SRD/D	Super Red	Red Diffused	660	1.7	30	250	60°	.53	.218	.117	.096
696-SSL-LX5093ID	SSL-LX5093ID	Red	Red Diffused	635	2	30	40	60°	.52	.203	.098	.078
696-SSL-LX5093IT	SSL-LX5093IT	Red	Red Trans.	635	2	30	80	30°	.39	.224	.12	.099
696-SSL-LX5093LID	SSL-LX5093LID	Red	Red Diffused	635	2	30	20	80°	.46	.192	.103	.085
696-SSL-LX5093XIC	SSL-LX5093XIC	Red	Water Clear	635	2	30	600	20°	.16	.132	.11	.088
696-SSL-LX5093ID-5V	SSL-LX5093ID-5V	Red	Red Diffused	635	5	12	10	80°	.54	.256	.184	.144
696-SSL-LX5093XAC	SSL-LX5093XAC	Amber	Water Clear	610	2	30	600	20°	.18	.15	.125	.10
696-SSL-LX5093AD	SSL-LX5093AD	Amber	Amber Diffused	605	2	30	30	60°	.50	.208	.112	.092
696-SSL-LX5093YD	SSL-LX5093YD	Yellow	Yellow Diffused	585	2.1	30	30	60°	.43	.176	.095	.078
696-SSL-LX5093YT	SSL-LX5093YT	Yellow	Yellow Trans.	585	2.1	30	80	25°	.12	.11	.10	.08
696-SSL-LX5093LYD	SSL-LX5093LYD	Yellow	Yellow Diffused	585	2.1	30	20	80°	.50	.208	.112	.092
696-SSL-LX5093LGT	SSL-LX5093LGT	Green	Green Trans.	565	2.1	30	80	25°	.37	.154	.114	.094
696-SSL-LX5093GD	SSL-LX5093GD	Green	Green Diffused	565	2.2	25	30	60°	.38	.156	.084	.069
696-SSL-LX5093GT	SSL-LX5093GT	Green	Green Trans.	565	2.2	25	150	30°	.44	.182	.098	.08
696-SSL-LX5093LGD	SSL-LX5093LGD	Green	Green Diffused	565	2.2	25	30	60°	.43	.176	.095	.078
696-SSL-LX5093XGC	SSL-LX5093XGC	Green	Water Clear	565	2.2	25	250	20°	.30	.163	.12	.10
696-SSL-LX5093GD-5V	SSL-LX5093GD-5V	Green	Green Diffused	565	5	12	10	80°	.41	.227	.193	.151
696-SSL-LX5093GD12V	SSL-LX5093GD-12V	Green	Green Diffused	565	12	12	8	80°	.54	.256	.184	.144
696-SSL-LX5093PGD	SSL-LX5093PGD	Pure Green	Green Diffused	555	2.1	25	15	60°	.15	.12	.10	.08
696-SSL-LX5093XPGC	SSL-LX5093XPGC	Pure Green	Water Clear	555	2.2	25	45	20°	.30	.197	.168	.131
T1 3/4 (5mm) - High Brightness												
696-LX5093SRC/DV	SSL-LX5093SRC/DV	Super Red	Water Clear	660	1.7	30	1500	30°	.39	.184	.11	.092
696-LX5093SRC/DW	SSL-LX5093SRC/DW	Super Red	Water Clear	660	1.7	30	1800	30°	.44	.285	.245	.197
696-SSL-LX5093XRC/4	SSL-LX5093XRC/4	Super Red	Water Clear	660	1.7	30	2500	30°	.47	.305	.263	.203
696-LX5093SRC/E	SSL-LX5093SRC/E	Super Red	Water Clear	660	1.7	30	2800	30°	.55	.305	.234	.181
696-SSL-LX5093SOC	SSL-LX5093SOC	Super Orange	Water Clear	610	2	30	2500	30°	.73	.46	.398	.314
696-SSL-LX5093SYC	SSL-LX5093SYC	Super Yellow	Water Clear	590	2.1	30	1000	30°	.81	.447	.34	.269
696-SSL-LX5093XYC	SSL-LX5093XYC	Yellow	Water Clear	590	2.1	30	1300	20°	.81	.51	.44	.34
696-SSL-LX5093UEGC	SSL-LX5093UEGC	Green	Water Clear	502	3.5	25	1500	30°	1.28	.786	.669	.551
696-SSL-LX5093USBD	SSL-LX5093USBD	Blue	Blue Diffused	470	3.5	30	300	60°	1.86	1.05	.79	.651
696-SSL-LX5093USBC	SSL-LX5093USBC	Blue	Water Clear	470	3.5	30	1000	30°	1.01	.493	.425	.336
696-LX5093UWC/A	SSL-LX5093UWC/A	White	Water Clear	-	3.6	30	740	45°	2.33	1.36	1.21	1.04
696-SSL-LX5093UWC/G	SSL-LX5093UWC/G	White	Water Clear	-	3.5	25	11000	20°	1.58	.888	.671	.553
T1 3/4 (5mm) - Blinking												
696-SSL-LX5093BHD	SSL-LX5093BHD	Dark Red	Red Diffused	700	3-14	20	5	60°	.75	.473	.408	.387
696-SSL-LX5093BSRD	SSL-LX5093BSRD	Super Red	Red Diffused	660	3-14	20	200	60°	1.00	.557	.423	.334
696-SSL-LX5093BID	SSL-LX5093BID	Red	Red Diffused	635	3-14	20	40	60°	1.00	.564	.426	.365
696-SSL-LX5093BYD	SSL-LX5093BYD	Yellow	Yellow Diffused	585	3-14	20	20	60°	.74	.462	.399	.315
696-SSL-LX5093BGD	SSL-LX5093BGD	Green	Green Diffused	565	3-14	20	20	60°	.95	.53	.402	.318
T1 3/4 (5mm) - Multi-Color												
696-SSL-LX5097IGW	SSL-LX5097IGW	Red/Green	White Diffused	635/565	2.1	30/25	20	60°	.44	.347	.266	.206
696-LX5099SIUBSUGB	SSL-LX5099SIUBSUGB	Red/Green/Blue	Water Clear	636/574/470	1.9/2.1/3.65	30	600/450/150	30°	6.05	3.87	3.51	3.03

LUMEX LED Lamps

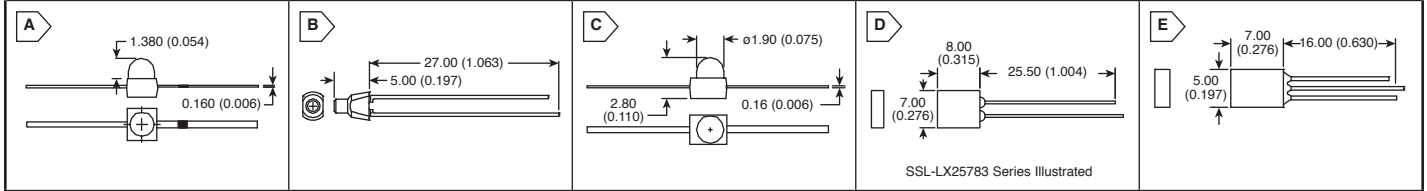


This page of product is RoHS compliant.



LED Indication

DIMENSIONS: mm (in.)



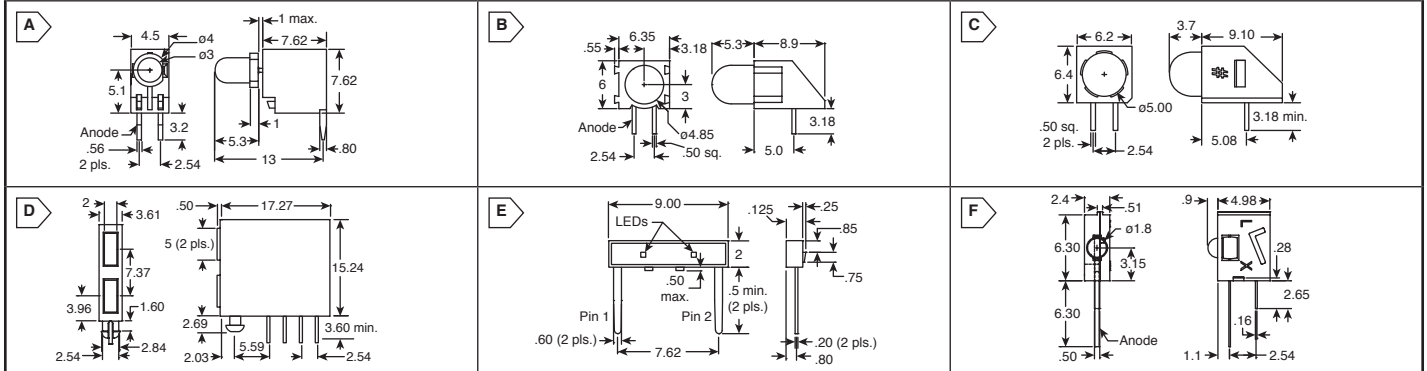
SSL-LX25783 Series Illustrated

LEDS

For quantities greater than listed, call for quote.

MOUSER STOCK NO.	Lumex Part No.	Fig.	Color		Peak Wavelength (nm)	Vf (V) Typ.	If (mA) Max.	IO mcd	Viewing Angle	Price Each			
			LED	Lens						1	100	500	1000
2mm Axial													
696-LXA227ID-5V	SSL-LXA227ID-5V	A	Red	Red Diffused	635	5	30	8	60°	.56	.352	.304	.284
696-LXA227YD-5V	SSL-LXA227YD-5V	A	Yellow	Yellow Diffused	585	5	20	8	60°	.72	.462	.399	.315
696-SSLLXA227GD-5V	SSL-LXA227GD-5V	A	Green	Green Diffused	565	5	30	8	60°	.61	.449	.387	.306
2mm Tapered													
696-SSL-LX20465YD	SSL-LX20465YD	B	Yellow	Yellow Diffused	585	2.1	30	10	70°	.28	.15	.11	.092
696-SSL-LX20465GD	SSL-LX20465GD	B	Green	Green Diffused	565	2.2	25	10	70°	.40	.165	.123	.101
2mm x 2.5mm													
696-SSL-LXA228SRC	SSL-LXA228SRC	C	Red	Water Clear	660	1.7	30	170	25°	.29	.224	.19	.149
696-SSL-LXA228ID	SSL-LXA228ID	C	Red	Red Diffused	635	2	30	25	50°	.31	.238	.202	.158
696-SSL-LXA228YC	SSL-LXA228YC	C	Yellow	Water Clear	585	2	20	30	25°	.28	.244	.191	.17
696-SSL-LXA228SGC	SSL-LXA228SGC	C	Green	Water Clear	565	2.1	30	50	25°	.36	.254	.216	.169
696-SSL-LXA228GD	SSL-LXA228GD	C	Green	Green Diffused	565	2.1	25	12	25°	.24	.20	.16	.133
2mm x 5mm													
696-SSL-LX2573SRD	SSL-LX2573SRD	D	Sup. Red	Red Diffused	660	1.7	30	80	80°	.18	.16	.129	.108
696-SSL-LX2573ID	SSL-LX2573ID	D	Red	Red Diffused	635	2	30	10	110°	.13	.101	.089	.073
696-SSL-LX2573AD	SSL-LX2573AD	D	Amber	Amber Diffused	605	2.1	30	5	120°	.39	.161	.12	.098
696-SSL-LX2573YD	SSL-LX2573YD	D	Yellow	Yellow Diffused	585	2.1	30	10	80°	.39	.184	.11	.092
696-SSL-LX2573GD	SSL-LX2573GD	D	Green	Green Diffused	565	2.1	25	10	110°	.38	.156	.084	.069
696-SSL-LX2577IGW	SSL-LX2577IGW	E	Red/Green	White Diffused	635/565	2.1	30/25	6	110°	.36	.28	.215	.166
2.5mm x 7mm Rect.													
696-SSL-LX25783ID	SSL-LX25783ID	D	Red	Red Diffused	635	2	30	9	80°	.11	.10	.094	.08
696-SSL-LX25783GD	SSL-LX25783GD	D	Green	Green Diffused	565	2.2	25	35	110°	.15	.12	.10	.08

DIMENSIONS: mm



CIRCUIT BOARD INDICATORS

For quantities greater than listed, call for quote.

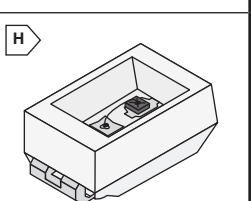
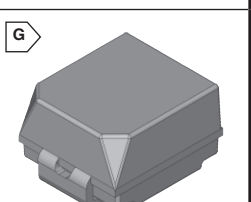
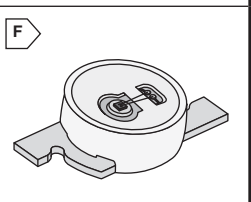
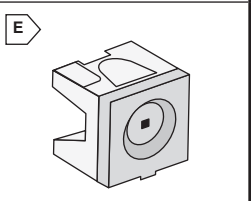
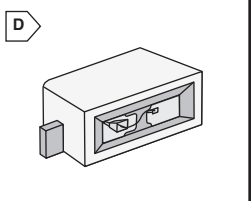
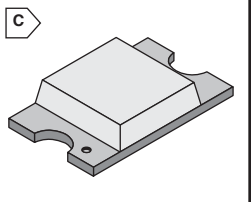
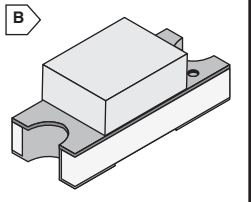
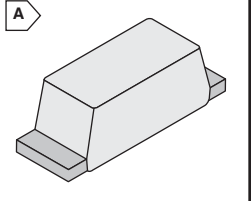
MOUSER STOCK NO.	Lumex Part No.	Fig.	Color		Peak Wavelength (nm)	Vf (V) Typ.	If (mA) Max.	IO mcd	Viewing Angle	Price Each			
			LED	Lens						1	100	500	1000
3mm Relampable													
696-SSF-LXH4RABID	SSF-LXH4RABID	A	Red (blinking)	Red Diffused	635	3.5	20	6	60°	2.72	1.90	1.63	1.41
696-SSF-LXH4RAGD	SSF-LXH4RAGD	A	Green	Green Diffused	565	2.1	25	30	60°	.80	.508	.439	.424
696-SSF-LXH4RAHGW	SSF-LXH4RAHGW	A	Red/Green	White Diffused	700/565	2.1	25	3/4	60°	.99	.614	.522	.384
696-SSF-LXH4RAID	SSF-LXH4RAID	A	Red	Red Diffused	635	2.1	30	40	60°	1.01	.626	.532	.496
696-SSF-LXH4RAYD	SSF-LXH4RAYD	A	Yellow	Yellow Diffused	585	2.1	30	30	60°	.99	.612	.521	.383
PC LED 5mm													
696-SSF-LXH100MGD	SSF-LXH100MGD	B	Green	Green Diffused	565	2.2	25	30	60°	.41	.227	.193	.151
696-SSF-LXH100MHGW	SSF-LXH100MHGW	B	Red/Green	White Diffused	700/565	2.0/2.2	30	6/20	60°	.60	.427	.36	.291
696-SSF-LXH100MID	SSF-LXH100MID	B	Red	Red Diffused	635	2	30	30	60°	.46	.323	.277	.214
696-SSF-LXH100MLGD	SSF-LXH100MLGD	B	Green	Green Diffused	565	2.2	25	30	60°	.47	.33	.285	.247
696-SSF-LXH100MLID	SSF-LXH100MLID	B	Red	Red Diffused	635	2	30	30	60°	.73	.462	.399	.315
696-SSF-LXH100MSRD	SSF-LXH100MSRD	B	Red	Red Diffused	660	1.8	30	100	60°	.70	.344	.297	.219
696-SSF-LXH100MYD	SSF-LXH100MYD	B	Yellow	Yellow Diffused	585	2.1	30	30	60°	.45	.252	.214	.167
696-SSF-LXH104GD	SSF-LXH104GD	C	Green	Green Diffused	565	2.2	25	30	60°	.61	.284	.204	.16
696-SSF-LXH104ID	SSF-LXH104ID	C	Red	Red Diffused	635	2	30	20	60°	.44	.285	.205	.16
696-SSF-LXH104YD	SSF-LXH104YD	C	Yellow	Yellow Diffused	585	2.1	30	20	60°	.28	.19	.171	.148
2mm x 5mm													
696-LXH22573GGD	SSF-LXH22573GGD	D	Green	Green Diffused	565	2.2	25	10	110°	.95	.588	.499	.446
9mm x 2mm													
696-SSB-LX02GC	SSB-LX02GC	E	Green	Green Translucent	565	4.4	25	10	160°	.72	.65	.58	.51
696-SSB-LX02SRC	SSB-LX02SRC	E	Red	Red Translucent	660	3.6	30	50	160°	1.44	1.00	.756	.623
696-SSB-LX02YC	SSB-LX02YC	E	Yellow	Yellow Translucent	590	4.2	30	170	160°	1.40	.89	.756	.623
Single Right Angle													
696-SSF-LXH555ID	SSF-LXH555ID	F	Red	Red Diffused	635	2	30	8	60°	.78	.493	.425	.336
696-SSF-LXH555YD	SSF-LXH555YD	F	Yellow	Yellow Diffused	585	2.1	30	8	60°	.84	.52	.442	.364
696-SSF-LXH555GD	SSF-LXH555GD	F	Green	Green Diffused	565	2.1	25	8	60°	.82	.519	.448	.354

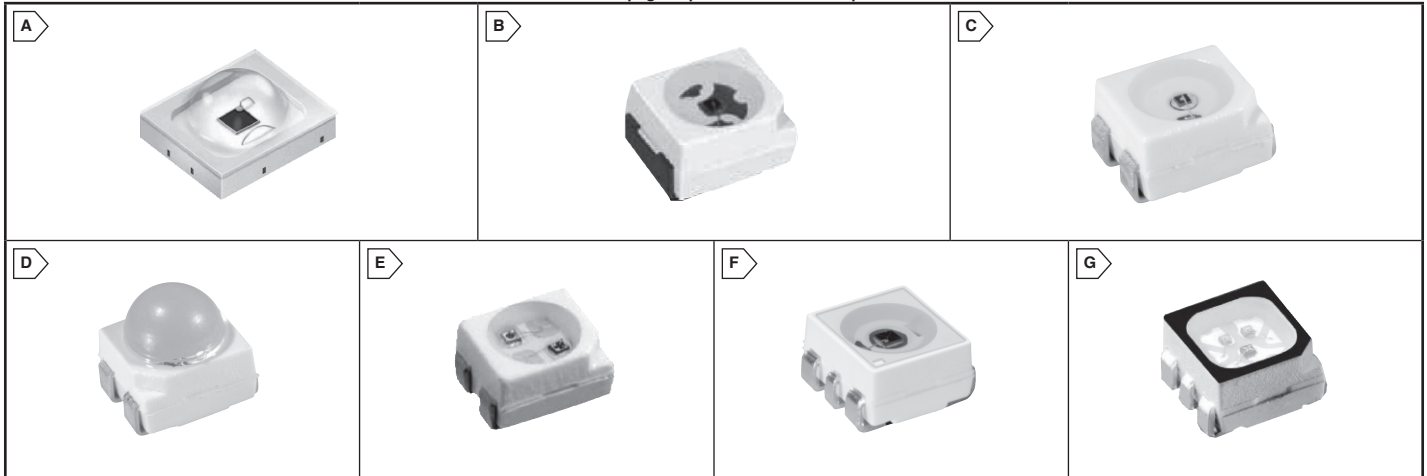


SMD LEDs

For quantities greater than listed, call for quote.

MOUSER STOCK NO.	Fig.	Size	Illumination Color	λ / Color Temperature	Intensity (Typ.)	Forward Voltage	Forward Current	Viewing Angle	Price Each			
									1	10	25	100
Smart LEDs												
720-LSL296-N1Q2-1-Z	A	0603	Super Red	633nm	250mcd	2.0V	20mA	160°	.17	.142	.128	.114
720-LSL29K-H1J2-1-Z	A	0603	Super Red	630nm	20mcd	1.8V	2mA	160°	.20	.171	.154	.137
720-LAL296-P1R2-Z	A	0603	Amber	615nm	140mcd	2.0V	20mA	160°	.17	.142	.128	.114
720-LOL29KJ2L124Z	A	0603	Orange	606nm	14mcd	1.8V	2mA	160°	.20	.171	.154	.137
720-LOL296P1S124Z	A	0603	Orange	605nm	460mcd	2.0V	20mA	160°	.17	.142	.128	.114
720-LYL29KH1K226Z	A	0603	Yellow	587nm	28mcd	1.8V	2mA	160°	.17	.142	.128	.114
720-LYL296P1R226Z	A	0603	Yellow	587nm	410mcd	2.0V	20mA	160°	.19	.16	.144	.128
720-LGL29KF2J124Z	A	0603	Green	570nm	10mcd	1.7V	2mA	160°	.17	.142	.128	.114
720-LGL29KG2J124Z	A	0603	Green	570nm	10mcd	1.7V	2mA	160°	.22	.185	.166	.148
720-LTL29SP2R125Z	A	0603	True Green	528nm	400mcd	3.4V	10mA	155°	1.23	1.03	.93	.828
720-LBL293M2P1361Z	A	0603	Blue	470nm	160mcd	2.9V	10mA	155°	.85	.714	.642	.571
720-LWL283Q1R23K8L1Z	A	0603	White	---	470mcd	2.9V	10mA	170°	.79	.664	.597	.531
Chip LEDs												
720-LSQ976-NR-1	B	0603	Super Red	633nm	180mcd	2.0V	20mA	160°	.10	.072	.064	.057
720-LOQ976-PS-25	B	0603	Orange	605nm	280mcd	2.0V	20mA	160°	.10	.072	.064	.057
720-LBQ39EL2N2351	B	0603	Blue	470nm	45mcd	3.0V	20mA	160°	.21	.179	.161	.143
720-LBQ39GL2N2351	B	0603	Blue	470nm	45mcd	3.0V	20mA	160°	.17	.143	.129	.115
720-LWQ38EQ1S23K6L1	B	0603	White	---	280mcd	3.0V	20mA	160°	.21	.179	.161	.143
720-LWQ38GQ1S13K6L1	B	0603	White	---	280mcd	3.0V	20mA	160°	.21	.179	.161	.143
720-LHR974-LP-1	C	0805	Hyper Red	645nm	15mcd	1.8V	20mA	160°	.10	.068	.061	.054
720-LSR976-NR-1	C	0805	Super Red	633nm	180mcd	2.0V	20mA	160°	.10	.072	.064	.057
720-LOR976-PS-1	C	0805	Orange	606nm	280mcd	2.0V	20mA	160°	.10	.072	.064	.057
720-LYR976-PS-36	C	0805	Yellow	588nm	280mcd	2.0V	20mA	160°	.10	.072	.064	.057
720-LGR971-KN-1	C	0805	Green	570nm	26mcd	2.2V	20mA	160°	.10	.068	.061	.054
Micro Side LEDs												
720-LSY876-P2S1-1-Z	D	-	Super Red	633nm	224mcd	2.0V	20mA	120°	.22	.187	.168	.149
720-LYY876Q2T126Z	D	-	Yellow	587nm	355mcd	2.0V	20mA	120°	.22	.19	.171	.152
720-LWY87CT1U13K8LZ	D	-	White Diff.	6200K	560mcd	3.6V	20mA	120°	.90	.754	.678	.603
Hyper Micro Side LEDs												
720-LSY876-Q2S1-1-Z	D	-	Super Red	633nm	224mcd	2.0V	20mA	120°	.26	.222	.20	.178
Side LEDs												
720-LSA676-R1S1-1-Z	E	-	Super Red	633nm	244mcd	2V	20mA	120°	.23	.197	.177	.158
720-LSA67K-J1L2-1-Z	E	-	Super Red	630nm	30mlm	1.8V	2mA	120°	.17	.143	.129	.115
720-LSA67K-J1K2-1-Z	E	-	Super Red	630nm	11.2mcd	1.8V	2mA	120°	.19	.161	.145	.129
720-LSA67K-K1L2-1-Z	E	-	Super Red	630nm	18mcd	1.8V	2mA	120°	.20	.176	.158	.14
720-LAA67FAABB241	E	-	Amber	617nm	2800mcd	2V	30mA	120°	.36	.305	.274	.244
720-LOA67KK1L224Z	E	-	Orange	606nm	40mlm	1.8V	2mA	120°	.19	.161	.145	.129
720-LYA67BT1V126Z	E	-	Yellow	587nm	900mcd	2.1V	30mA	120°	.35	.298	.268	.238
720-LYA67KK2M126Z	E	-	Yellow	587nm	22.4mcd	1.8V	2mA	120°	.20	.176	.158	.14
720-LPA67KE1F225Z	E	-	Pure Green	560nm	4mlm	1.8V	2mA	120°	.18	.154	.138	.123
720-LPA67KE1G225Z	E	-	Pure Green	560nm	2.8mcd	1.8V	2mA	120°	.18	.151	.135	.12
Hyper Side LEDs												
720-LSA676-P2S1-1-Z	E	-	Super Red	633nm	350mlm	2.0V	20mA	120°	.19	.161	.145	.129
720-LRA67F-U2AB-1-Z	E	-	Red	625nm	1180mcd	2.0V	30mA	120°	.36	.305	.274	.244
720-LYA67KJ2M126Z	E	-	Yellow	587nm	40mlm	1.8V	2mA	120°	.17	.143	.129	.115
720-LYA676Q2T126Z	E	-	Yellow	587nm	360mlm	2.0V	20mA	120°	.19	.161	.145	.129
720-LGA676P1Q224Z	E	-	Green	570nm	240mlm	2.0V	20mA	120°	.23	.197	.177	.158
720-LPA676L1M225Z	E	-	Pure Green	560nm	60mlm	2.0V	20mA	120°	.27	.233	.209	.186
720-LTA673P1Q225Z	E	-	True Green	532nm	350mlm	3.0V	10mA	120°	.77	.647	.581	.517
720-LBA673L2P135Z	E	-	Blue	471nm	100mlm	3.1V	10mA	120°	.64	.539	.484	.431
Point LEDs												
720-LBP4SGS2U135	F	-	Blue	470nm	450mcd	3.2V	20mA	120°	.94	.79	.71	.632
720-LYP476R2T126Z	F	-	Yellow	587nm	355mcd	2V	20mA	120°	.21	.183	.164	.146
720-LOP476R2T124Z	F	-	Orange	606nm	355mcd	2V	20mA	120°	.21	.183	.164	.146
720-LSP47K-H1K2-1-Z	F	-	Super Red	630nm	11.2mcd	1.8V	2mA	120°	.15	.133	.119	.106
720-LSP47F-U1AA-1-1	F	-	Super Red	633nm	1400mcd	2.0V	30mA	120°	.39	.33	.297	.264
720-LRP47FU2AB11Z	F	-	Red	625nm	1800mcd	2.0V	30mA	120°	.39	.33	.297	.264
720-LAP47FV2BB241Z	F	-	Amber	617nm	2800mcd	2.0V	30mA	120°	.39	.33	.297	.264
720-LYP47FU2AB361Z	F	-	Yellow	590nm	1800mcd	2.05V	30mA	120°	.39	.33	.297	.264
720-LWP4SGV2ABJKPLZI	F	-	White	5600K	1800mcd	3.2V	20mA	120°	.68	.575	.516	.46
720-LWP4SGV2ABJKPLZI	F	-	White	5600K	1800mcd	3.2V	20mA	120°	.68	.575	.516	.46
Mini-Top LEDs												
720-LDMVSGJGLH461	G	-	Blue	460nm	15mW	3.05V	20mA	120°	.72	.611	.549	.488
720-LWMVSGAZBJKPLZ4	G	-	Cool White	5600K	5000mlm	3.05V	20mA	120°	.72	.611	.549	.488
Hyper Mini-Top LEDs												
720-LSM676-P2S1-1-Z	H	-	Super Red	633nm	224mcd	2.0V	20mA	120°	.17	.143	.129	.115
720-LSM676-Q2S1-1-Z	H	-	Super Red	633nm	224mcd	2.0V	20mA	120°	.19	.161	.145	.129
720-LSM67K-H2L1-1-Z	H	-	Super Red	630nm	14mcd	1.8V	2mA	120°	.14	.122	.109	.097
720-LSM67K-J2L1-1-Z	H	-	Super Red	630nm	14mcd	1.8V	2mA	120°	.18	.151	.135	.12
720-LAM676-Q2T1-1-Z	H	-	Amber	615nm	355mcd	2.0V	20mA	120°	.17	.143	.129	.115
720-LOM67KJ2M124Z	H	-	Orange	606nm	22.4mcd	1.8V	2mA	120°	.13	.115	.103	.092
720-LYM676Q2T126Z	H	-	Yellow	587nm	355mcd	2.0V	20mA	120°	.17	.143	.129	.115
720-LGM67KG1J224Z	H	-	Green	570nm	7.1mcd	1.8V	2mA	120°	.15	.129	.116	.103
720-LGM67KH1J224Z	H	-	Green	570nm	7.1mcd	1.8V	2mA	120°	.20	.176	.158	.14
720-LGM676N2Q124Z	H	-	Green	570nm	90mcd	3.4V	20mA	120°	.25	.215	.193	.172
720-LPM67KD2G125Z	H	-	Pure Green	560nm	2.24mcd	1.8V	2mA	120°	.17	.143	.129	.115
720-LTM673N1R225Z	H	-	True Green	532nm	90mcd	3.0V	10mA	120°	.79	.664	.597	.531
720-LBM673L1M235Z	H	-	Blue	471nm	19.6mcd	3.1V	10mA	120°	.62	.521	.468	.416





SMD LEDs

For quantities greater than listed, call for quote.

MOUSER STOCK NO.	Fig.	Size	Emitting Color	Wavelength	Intensity (Typ.)	Forward Voltage	Forward Current	Viewing Angle	Price Each					
									1	10	25	100		
Duris P5														
720-GRDASP123FSFU46	A	SMD-2	Red	625nm	4.6cd	2.05	100	120°	.75	.63	.57	.50		
720-GYDASPA123PFR36	A	SMD-2	Yellow	590nm	3.7cd	2.15	100	120°	.75	.63	.57	.50		
720-GTDASP113GRGT26	A	2.6x2.2mm	True Green	525nm	25.9lm	3.25V	100mA	120°	.73	.615	.553	.492		
720-GTDSAPA113GSGU26	A	SMD-2	Green	525nm	7.4cd	3.25	100	120°	.75	.63	.57	.50		
720-GWDASAPAGUHQ5R8T1	A	2.6x2.2mm	White	3000K	33lm	3.02V	200mA	130°	.47	.397	.356	.317		
720-GWDASAPHPHR5L7N1	A	2.6x2.2mm	White	4000K	35.9lm	3.02V	200mA	130°	.46	.394	.354	.315		
720-GWDASPAHQHS5H711	A	2.6x2.2mm	White	5000K	39lm	3.02V	200mA	130°	.48	.409	.368	.327		
Hyper Top LEDs														
720-LST676-Q1R2-1-Z	B	PLCC-2	Super Red	645nm	180mcd	2.0V	20mA	120°	.18	.151	.135	.12		
720-LST67K-J1K2-1-Z	B	PLCC-2	Super Red	630nm	11.2mcd	1.8V	2mA	120°	.15	.129	.116	.103		
720-LST67K-K1L2-1-Z	B	PLCC-2	Super Red	630nm	18mcd	1.8V	2mA	120°	.12	.107	.096	.086		
720-LST67K-K1L2-1-Z	B	PLCC-2	Super Red	630nm	18mcd	1.8V	2mA	120°	.16	.136	.122	.109		
720-LOT67KK1M224Z	B	PLCC-2	Orange	606nm	28mcd	1.8V	2mA	120°	.12	.107	.096	.086		
720-LYT67KJ2L126Z	B	PLCC-2	Yellow	587nm	14mcd	1.8V	2mA	120°	.15	.129	.116	.103		
720-LYT67KJ2M126Z	B	PLCC-2	Yellow	587nm	22.4mcd	1.8V	2mA	120°	.12	.107	.096	.086		
720-LYT67KJ2M126Z	B	PLCC-2	Yellow	587nm	22.4mcd	1.8V	2mA	120°	.17	.147	.132	.117		
720-LYT67S1T126Z	B	PLCC-2	Yellow	587nm	355mcd	2.0V	20mA	120°	.19	.161	.145	.129		
720-LGT67KH2K124Z	B	PLCC-2	Green	570nm	9mcd	1.8V	2mA	120°	.17	.143	.129	.115		
720-LGT67KG2K124Z	B	PLCC-2	Green	570nm	9mcd	1.8V	2mA	120°	.14	.125	.113	.10		
720-LGT67P1Q224Z	B	PLCC-2	Green	570nm	112mcd	2.0V	20mA	120°	.21	.179	.161	.143		
720-LPT67KE1G225Z	B	PLCC-2	Pure Green	560nm	2.8mcd	1.8V	2mA	120°	.15	.129	.116	.103		
720-LPT67L1M225Z	B	PLCC-2	Pure Green	560nm	28mcd	2.0V	20mA	120°	.25	.215	.193	.172		
720-LTT67N2S125Z	B	PLCC-2	True Green	532nm	224mcd	3.0V	10mA	120°	.72	.611	.549	.488		
720-LTT67CS2V135Z	B	PLCC-2	True Green	528nm	900mcd	3.5V	20mA	120°	.85	.718	.646	.575		
720-LBT67CP2R135Z	B	PLCC-2	Blue	470nm	140mcd	3.6V	10mA	120°	.79	.664	.597	.531		
720-LWT67CS2V15K8LZ	B	PLCC-2	White	5600K	900mcd	3.6V	20mA	120°	.57	.485	.436	.388		
Top LEDs														
720-LST67B-S1U1-1-Z	B	PLCC-2	Super Red	633nm	560mcd	2.1V	30mA	120°	.27	.233	.209	.186		
720-LRT68FU1AA11Z	B	PLCC-2	Red	625nm	925mcd	2.05V	20mA	120°	.18	.154	.138	.123		
720-LGT67OK1L21Z	B	PLCC-2	Green	570nm	13mcd	2.0V	10mA	120°	.20	.172	.155	.138		
720-LWT68CS2U13K6LZ	B	PLCC-2	White	5600K	560mcd	3.6V	20mA	120°	.64	.539	.484	.431		
Power Top LEDs														
720-LSE67BS2V111Z	C	PLCC-4	Super Red	633nm	1700mcd	2.2V	50mA	120°	.25	.212	.19	.169		
720-LSE6SFV2BA11Z	C	PLCC-4	Super Red	633nm	2240mcd	2.15V	50mA	120°	.38	.327	.293	.261		
720-LAE67BU2AA241Z	C	PLCC-4	Amber	617nm	1400mcd	2.2V	50mA	120°	.28	.242	.218	.194		
720-LOE65FABC241Z	C	PLCC-4	Orange	606nm	4500mcd	2.15V	50mA	120°	.38	.327	.293	.261		
720-LYE65FV2AB351Z	C	PLCC-4	Yellow	590nm	1800mcd	2.15V	50mA	120°	.35	.294	.264	.235		
720-LYE67BU2AA261Z	C	PLCC-4	Yellow	587nm	2950mcd	2.2V	50mA	120°	.28	.242	.218	.194		
720-LCWE6SGV1AB4R9TZ	C	PLCC-4	Warm White	3500K	1800mcd	3.4V	30mA	120°	.55	.467	.42	.373		
720-LCWE6SGV2BA4O9QZ	C	PLCC-4	Warm White	3800K	2240mcd	3.4V	30mA	120°	.55	.467	.42	.373		
720-LCWE6SGV2BA4L8NZ	C	PLCC-4	Warm White	4100K	2240mcd	3.4V	30mA	120°	.55	.467	.42	.373		
720-LWE67CU2V25K8L1Z	C	PLCC-4	White	5600K	1120mcd	3.9V	30mA	120°	.68	.575	.516	.46		
720-LUWE6SGABB4N7QZ	C	PLCC-4	Ultra White	6500K	2800mcd	3.3V	30mA	120°	.47	.395	.355	.316		
Power Top Lens														
720-LSE63BBBCB11Z	D	PLCC-4	Super Red	633nm	1700mlm	2.2V	50mA	30°	.33	.28	.251	.224		
720-LSE65F-BBDA-1-Z	D	PLCC-4	Super Red	633nm	4480mlm	2.15V	50mA	60°	.40	.341	.306	.273		
720-LAE65BBACA241Z	D	PLCC-4	Amber	617nm	3000mlm	2.2V	50mA	60°	.37	.314	.282	.251		
720-LAE63FEAFA243B5A	D	PLCC-4	Amber	617nm	5000mlm	2.15V	50mA	30°	.38	.323	.29	.258		
720-LAE65FCBEA243A4B	D	PLCC-4	Amber	617nm	7170mlm	2.15V	50mA	60°	.40	.341	.306	.273		
720-LYE63FEAFA461Z	D	PLCC-4	Yellow	590nm	5000mlm	2.15V	50mA	30°	.42	.359	.323	.287		
720-LYE63BCBEA261Z	D	PLCC-4	Yellow	587nm	3050mlm	2.2V	50mA	30°	.33	.28	.251	.224		
720-LTE63CBADB351Z	D	PLCC-4	True Green	525nm	2610mlm	3.8V	30mA	20°	.77	.647	.581	.517		
720-LBE63CU2V235LZ	D	PLCC-4	Blue	469nm	490mlm	3.9V	30mA	20°	.85	.718	.646	.575		
Multi-Top LED														
720-LSYT676P2R110QZ	E	PLCC-4	Red/Yellow	633/587nm	98/157mcd	2.0V, 2.0V	20mA	120°	.38	.319	.287	.255		
Advanced Power Top LEDs														
720-LTG65PCBEB251Z	F	PLCC-6	True Green	528nm	11200mcd	3.6V	140mA	120°	1.41	1.18	1.06	.948		
720-LBG65PV2BB351Z	F	PLCC-6	Blue	470nm	2800mcd	3.6V	140mA	120°	1.37	1.15	1.03	.92		
Multi LEDs														
720-LTRBGFSFABQKY0Z	G	PLCC-6	Red/Gr/Blu	625/528/470nm	700/1350/160mcd	2.05V, 3.2V, 3.2V	20mA	120°	.77	.647	.581	.517		
720-LRTRBGFTGT7AWV7A7	G	PLCC-6	Red/Gr/Blu	625/528/470nm	1077/1570/377mcd	2.05V, 3.2V, 3.2V	20mA	120°	.68	.575	.516	.46		

THRU-HOLE LEDs

For quantities greater than listed, call for quote.

MOUSER STOCK NO.	Panasonic Part No.	Package	Color	Wavelength (nm)	Luminous Intensity Max. (mcd)	Forward Voltage Max. (V)	Price Each		
							1	10	100
667-LN260RPX	LN260RPX	3x2mm Square	Red Diffused	700	0.7	2.8	.57	.436	.282
667-LN873RPX	LN873RPX	5x5mm Square	Orange	630	3	2.8	.57	.436	.282
667-LNG275RKR	LNG275RKR	3.9x1.8mm Square	Red	700	0.5	2.2	.45	.347	.224
667-LN451YPX	LN451YPX	4x2mm Square	Amber	590	2	2.2	.53	.403	.261
667-LNG251RKR	LNG251RKR	4x2mm Square	Red	700	0.5	2.2	.48	.37	.24
667-LNG351GKG	LNG351GKG	4x2mm Square	Yellow Green	565	2.5	2.2	.48	.37	.24
667-LN842RPX	LN842RPX	5x2mm Square	Orange	630	2.5	2.1	.53	.403	.261
667-LN210RPX	LN210RPX	5x2.5mm Square	Red	700	0.5	2.2	.45	.347	.224
667-LNJ482YKXAH	LNJ482YKXAH	2mm Round	Amber	590	2	2.2	.46	.356	.23
667-LNJ482YKXXE	LNJ482YKXXE	2mm Round	Amber	590	2	2.2	.46	.356	.23
667-LNJ282RKRXE	LNJ282RKRXE	2mm Round	Red	700	1	2.2	.57	.437	.283
667-LNJ497CK4DA	LNJ497CK4DA	3mm Round	Amber	588	260	2	.72	.548	.355
667-LNG477YKY	LNG477YKY	3mm Round	Amber	590	5	2.2	.48	.366	.237
667-LNG498CK4	LNG498CK4	3mm Round	Amber	595	180	2	.74	.569	.368
667-LNJ498CK4AA	LNJ498CK4AA	3mm Round	Amber	595	180	2	.74	.569	.368
667-LNJ998CKCDA	LNJ998CKCDA	3mm Round	Blue	467	400	3.1	.90	.714	.524
667-LNG897CK8	LNG897CK8	3mm Round	Orange	620	160	2	.72	.548	.355
667-LN882RPX	LN882RPX	2mm Round	Orange	630	6	2.8	.46	.349	.226
667-LN88RCPX	LN88RCPX	3mm Round	Orange	630	12	2.1	.47	.362	.234
667-LNX898LKDAC	LNX898LKDAC	3mm Round	Orange	630	50	2.1	.49	.379	.245
667-LNJ297RKRACS	LNJ297RKRACS	3mm Round	Red	700	2	2.2	.53	.403	.261
667-LN876RCPX	LN876RCPX	3.2mm Round	Orange	630	10	2.1	.48	.366	.237
667-LNJ276CK2AA	LNJ276CK2AA	3.2mm Round	Red	632	260	3.2	.46	.356	.23
667-LNJ876YK6AA	LNJ876YK6AA	3.2mm Round	Soft Orange	605	200	2	.72	.548	.355
667-LNJ209RKRAD	LNJ209RKRAD	4mm Round	Red	700	2	2.2	.45	.347	.224
667-LNJ309GKGAD	LNJ309GKGAD	4mm Round	Yellow Green	565	6	2.2	.54	.413	.268
667-LN840RPX	LN840RPX	4.4mm Round	Orange	630	4.5	2.1	.53	.403	.261
667-LNG489CN4T	LNG489CN4T	5mm Round	Amber	588	400	2	.80	.616	.399
667-LNG4A4CN1E	LNG4A4CN1E	5mm Round	Amber	589	4000	2.1	.80	.616	.399
667-LN41YPSLX	LN41YPSLX	5mm Round	Amber	590	8	2.2	.48	.366	.237
667-LNJ8A4TN5DA	LNJ8A4TN5DA	5mm Round	Soft Orange	605	1000	2	.72	.548	.355
667-LNJ31LGKXGL	LNJ31LGKXGL	5mm Round	Yellow Green	565	20	2.2	.56	.427	.276

SURFACE MOUNT LEDS

For quantities greater than listed, call for quote.

MOUSER STOCK NO.	Panasonic Part No.	Package	Color	Wavelength (nm)	Luminous Intensity Max. (mcd)	Forward Voltage Max. (V)	Price Each		
							1	10	100
667-LNJ03004BDD1	LNJ03004BDD1	3230	Cool White	-	-	2.95	.49	.379	.245
667-LNJ03004BND1	LNJ03004BND1	3230	Cool White	-	-	2.95	.49	.379	.245
667-LNJ03004GDD1	LNJ03004GDD1	3230	Cool White	-	-	6.2	.76	.587	.38
667-LNJ03004GND1	LNJ03004GND1	3230	Cool White	-	-	6.2	.76	.587	.38
667-LNJ03004BLD1	LNJ03004BLD1	3230	Warm White	-	-	2.95	.49	.379	.245
667-LNJ03004GLD1	LNJ03004GLD1	3230	Warm White	-	-	6.2	.76	.587	.38
667-LNJ047X8ARA	LNJ047X8ARA	1005	White	-	111	3.2	.59	.393	.224
667-LNJ247W82RA	LNJ247W82RA	1005	Red	645	26.8	2.3	.51	.298	.139
667-LNJ8L4C38RA	LNJ8L4C38RA	PLCC-4	Red	623	2800	2.3	2.02	1.64	1.22
667-LNJ8L6C18RA	LNJ8L6C18RA	3.5x3.5mm Square	Red	623	7600	2.45	2.55	2.06	1.53
667-LNJ826W83RA	LNJ826W83RA	UTSS	Orange	630	47.3	2.1	.46	.304	.173
667-LNJ847W83RA	LNJ847W83RA	1005	Orange	630	47.3	2.3	.51	.298	.139
667-LNJ853W83RA	LNJ853W83RA	SV-0.5	Orange	630	52.5	2.3	.46	.304	.173
667-LNJ8L4C28RAA	LNJ8L4C28RAA	PLCC-4	Red	617	1810	2.65	1.64	1.30	.952
667-LNJ826W86RA	LNJ826W86RA	UTSS	Soft Orange	610	16.9	2.5	.46	.304	.173
667-LNJ853W86RA	LNJ853W86RA	SV-0.5	Soft Orange	610	23	2.3	.46	.304	.173
667-LNJ847W86RA	LNJ847W86RA	1005	Soft Orange	610	60.5	2.3	.51	.298	.139
667-LNJ447W84RA1	LNJ447W84RA1	1005	Amber	595	30	1.95	.51	.298	.139
667-LNJ426W83RA	LNJ426W83RA	UTSS	Amber	595	102	2.5	.46	.304	.173
667-LNJ347W83RA	LNJ347W83RA	1005	Green	575	28	2.3	.51	.298	.139
667-LNJ326W83RA	LNJ326W83RA	UTSS	Green	575	50	2.5	.48	.281	.132
667-LNJ926W8CRA	LNJ926W8CRA	UTSS	Blue	465	24.6	3.15	.57	.436	.282
667-LNJ937W8CRA	LNJ937W8CRA	ESS II	Blue	465	30	3.2	.48	.317	.18
667-LNJ953W8CRA	LNJ953W8CRA	SV-0.5	Blue	465	34.7	3.2	.57	.436	.282
667-LNJ947W8CRA	LNJ947W8CRA	1005	Blue	465	55	3.2	.52	.342	.194

LED MATRIX DRIVERS

For quantities greater than listed, call for quote.

MOUSER STOCK NO.	Panasonic Part No.	Package	No. of LEDs	Voltage Supply (V) (Max.)	Channels	Interface	Osc. Frequency (MHz)	Power Dissipation (W)	Price Each		
									1	10	100
667-AN32155A-PB	AN32155A-PB	WLCSP-12	12	3.6	1	I2C	2.88	0.507	4.17	3.81	2.91
667-AN30259C-PR	AN30259C-PR	WLCSP-12	12	3.6	3	I2C	2.4	0.186	2.66	2.15	1.60
667-AN32051A-PB	AN32051A-PB	WLCSP-35	16	3.6	1	SPI	1.44	0.706	6.28	6.00	4.53
667-AN32180A-VB	AN32180A-VB	QFN-16	16	3.6	4	I2C	2.88	0.529	2.66	2.15	1.60
667-AN32058A-VB	AN32058A-VB	QFN-44	49	4.9	1	SPI	1.44	1.392	6.02	5.50	4.20
667-AN32151A-PR	AN32151A-PR	WLCSP-49	49	4.9	1	I2C, SPI	1.44	0.585	6.79	6.49	4.90
667-AN32055A-PB	AN32055A-PB	WLCSP-80	49	4.9	6	SPI	1.44	0.837	8.75	8.36	6.32
667-AN32150B-PR	AN32150B-PR	WLCSP-55	49	4.9	7	I2C, SPI	2.88	0.833	9.18	8.77	6.63
667-AN32183A-VF	AN32183A-VF	SSOP-24	81	3.6	27	I2C	2.88	0.74	4.30	3.93	3.00
667-AN32054B-PB	AN32054B-PB	WLCSP-50	119	4.9	1	I2C, SPI	1.44	0.932	8.05	7.69	5.81
667-AN32181B-VB	AN32181B-VB	QFN-28	144	3.6	48	I2C, SPI	2.88	0.569	5.16	4.71	3.60

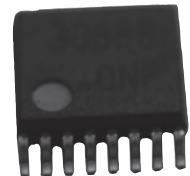
HIGH BRIGHTNESS LED DRIVERS

Features:

- Battery Operation: 3Vto 15V (AN30888B)/3V to 20V (AN30888A)
- Output Current Range: 0A to a Few Amperes Depending on Rating for External NMOS and Mode of Operation
- LED Dimming Function Available by Using PWM Signal
- Configurable as Either Boost/Buck-Boost/Buck Mode Converter
- Built-In Various Protection Circuit: Under Voltage Lock Out/Over Voltage Protection/Soft Start Function
- RoHS Directive Compliant
- Customer Design Flexibility (Multi Operation Mode)
- Precise Brightness Control (PWM Smooth-Dimming/Reference Voltage Step-Dimming)
- Wider Package Variation (QFN Package / SO Package)
- Supporting Safety Design (Built-in Various Protection Circuit)

Applications:

- LED Lighting Modules
- LED Lantern Applications
- White LED Backlighting for LCD Panel
- White LED Flight Light Driving Applications
- General LED Back Lighting

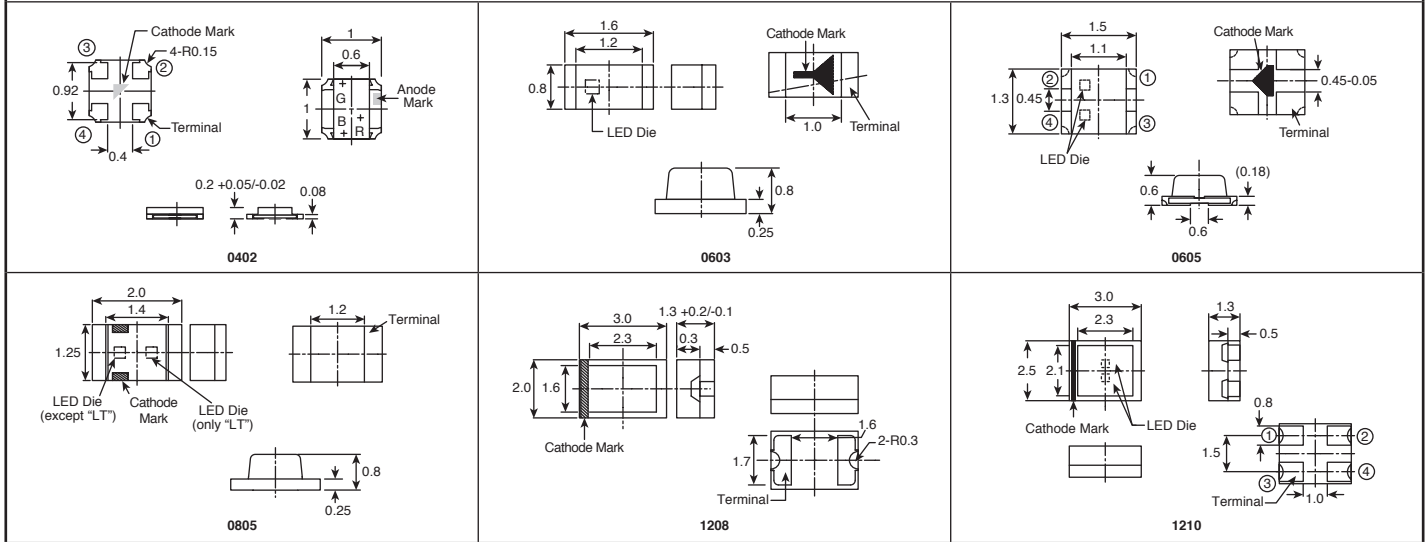


For quantities greater than listed, call for quote.

MOUSER STOCK NO.	Panasonic Part No.	Package	Topology	Voltage Supply (V) (Max.)	Output Current (mA)	Frequency (MHz)	Dimming	Price Each		
								1	10	100
667-AN30888A-VF	AN30888A-VF	SSOP-16	Buck/Boost	20	15	1.5	PWM	1.60	1.29	1.03
667-AN30888B-VB	AN30888B-VB	QFN-16	Buck/Boost	15	10	1.5	PWM	1.86	1.51	1.20

RoHS Compliant This page of product is RoHS compliant.

DIMENSIONS: mm



RGB LEDs

For quantities greater than listed, call for quote.

MOUSER STOCK NO.		Package	Color	Wavelength (nm)	LV Min. (mcd)	Price Each		
Mfr.	Mfr. Part No.					1	10	100
755	SMLP36RGB1W3	0604	RGB	470/527/624	18/71/28	1.74	1.39	1.07
755	SMLV56RGB1W1	PLCC-6	RGB	624/527/470	700/1200/400	1.70	1.36	1.04
755	SMLP34RGB2W3	0404	RGB	624/527/470	35/110/45	.87	.701	.44

PICOLED™ LEDs (0402)

For quantities greater than listed, call for quote.

MOUSER STOCK NO.		Color	Wavelength (nm)	LV Min. (mcd)	Price Each		
Mfr.	Mfr. Part No.				1	10	100
755	SMLP12BCTT86	Blue	465	5.6	.54	.323	.202
755	SMLP12WBC7W1	White	-	71	.71	.574	.36
755	SML-P24MUWT86	Red, Green	572/620	52	.55	.333	.207

0603 LEDs

For quantities greater than listed, call for quote.

MOUSER STOCK NO.		Color	Wavelength (nm)	LV Min. (mcd)	Price Each		
Mfr.	Mfr. Part No.				1	10	100
755	SML312BCTT86	Blue	468	63	1.39	1.12	.86
755	SML312ECTT86	Green	518	90	1.60	1.28	.989
755	SML-510MWT86	Green	570	3.6	.49	.28	.12
755	SML-511UWT86	Red	630	14	.41	.246	.153
755	SML-511WWT86	Yellow	590	22	.41	.246	.153
755	SML512BC4TT86	Blue	468	5.6	1.51	1.21	.93
755	SML512BC5TT86	Blue	468	16	.80	.644	.404
755	SML-512MWT86	Green	570	14	.41	.246	.153
755	SML-512PWT86A	Green	563	5.6	.55	.335	.208
755	SML-512UWT86	Red	630	22	.57	.342	.213
755	SML-512VWT86A	Red	639	35.5	.43	.32	.201
755	SML-512WWT86	Yellow	590	36	.48	.288	.179
755	SML-D12M8WT86	Yellow-Grn	572	10	.51	.288	.123
755	SML-D12U8WT86	Red	620	6.3	.51	.288	.123
755	SML-D12V8WT86	Red	630	40	.48	.273	.117
755	SML-D12Y8WT86	Yellow	590	25	.51	.288	.123
755	SML-E12BC7T86	Blue	468	9	.46	.277	.172
755	SML-E12EC6T86	Blue-Green	527	85	1.11	.896	.688
755	SML-E12WBC7W1	White	-	71	.59	.478	.30
755	SML-E12U8WT86	Red	620	25	.44	.266	.122
755	SML-E12UWT86	Red	624	36	.52	.317	.145
755	SML-E12V8WT86	Red	630	16	.44	.266	.122

ULTRA-COMPACT SURFACE MOUNT REMOTE CONTROL PHOTORECEIVER MODULE

ROHM's RPMS2401-H19 photoreceiver, utilizing original miniaturization technology, features the smallest mounting area in the world. In addition, the S/N ratio in broad daylight is significantly improved due to ROHM's unique optical technology.

¹ January 2007 ROHM study

For quantities greater than listed, call for quote.

MOUSER STOCK NO.		Supply Voltage (Max.)(V)	Output Current (mA)	Consump. Current (Typ.)(mA)	Center Freq. (Typ.)(kHz)	Price Each		
Mfr.	Mfr. Part No.					1	10	100
755	RPMS1371-H19E4A	6.3	2	300μ	36.7	2.67	2.15	1.94
755	RPMS1381-H19E4A	6.3	2	300μ	37.9	2.67	2.15	1.94
755	RPMS1401-H19E4A	6.3	2	300μ	40	2.67	2.15	1.94
755	RPMS2381-H19E4A	6.3	2	0.95	37.9	2.67	2.15	1.94
755	RPMS2401-H19E4A	6.3	2	0.95	40	2.67	2.15	1.94

© Copyright 2015 Mouser Electronics

ULTRA-COMPACT SURFACE MOUNT REMOTE CONTROL PHOTORECEIVER MODULE (CONT.)

¹ January 2007 ROHM study

For quantities greater than listed, call for quote.

MOUSER STOCK NO.		Supply Voltage (Max.)(V)	Output Current (mA)	Consump. Current (Typ.)(mA)	Center Freq. (Typ.)(kHz)	Price Each		
Mfr.	Mfr. Part No.					1	10	100
755	RPMS2401-H19E4A	6.3	2	0.95	40	2.67	2.15	1.94

0605 LEDs

For quantities greater than listed, call for quote.

MOUSER STOCK NO.		Color	Wavelength (nm)	LV Min. (mcd)	Price Each		
Mfr.	Mfr. Part No.				1	10	100
755	SML-522MUWT86	Green/Red	630/570	14/22	.67	.542	.34
755	SML-A12D8TT86	Orange	605	100	.41	.246	.153
755	SML-A12M8TT86	Yellow/Grn	572	25	.41	.246	.153
755	SML-A12MT86	Green	570	14	.54	.326	.203
755	SML-A12P8TT86	Green	560	6.3	.39	.237	.148
755	SML-A12U8TT86	Red	520	63	.41	.246	.153
755	SML-A12UT86	Red	630	36	.52	.315	.196
755	SML-A12V8TT86	Red	530	40	.41	.246	.153
755	SML-A12WT86	Yellow	590	36	.54	.326	.203
755	SML-A12Y8TT86	Yellow	590	63	.41	.246	.153
755	SMLA13WBDW1	White	-	170	1.71	1.38	1.24

0805 LEDs

For quantities greater than listed, call for quote.

MOUSER STOCK NO.		Color	Wavelength (nm)	LV Min. (mcd)	Price Each		
Mfr.	Mfr. Part No.				1	10	100
755	SML-210DTT86	Orange	610	2.2	.53	.302	.129
755	SML-210FT86	Green	560	1.4	.54	.309	.132
755	SML-210PT86	Pure Green	555	1.4	.42	.254	.117
755	SML-210YTT86	Yellow	585	2.2	.55	.31	.133
755	SML-211DTT86	Orange	611	0.9	.41	.25	.155
755	SML-211U8T86	Red	630	0.9	.42	.25	.156
755	SML-211YTT86	Yellow	590	1.4	.42	.25	.156
755	SML-212U2TT86A	Red	625	71	.39	.238	.148

1208 LEDs

For quantities greater than listed, call for quote.

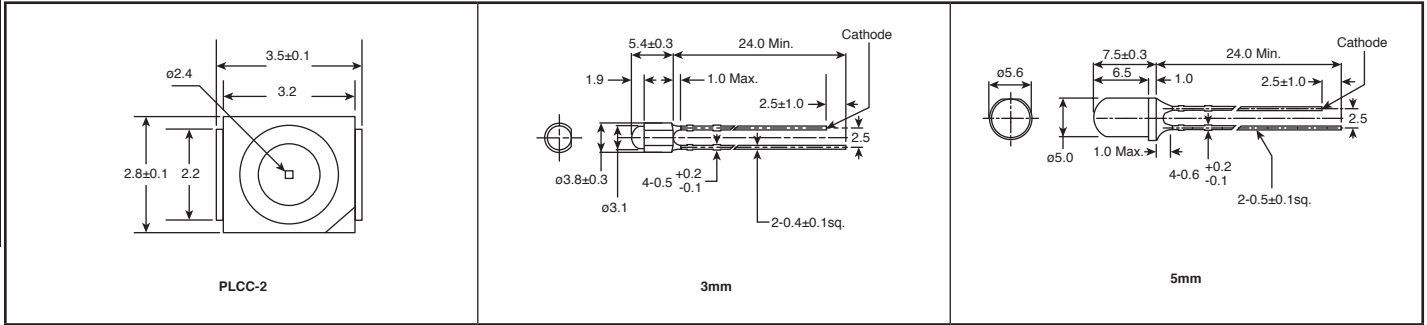
MOUSER STOCK NO.		Color	Wavelength (nm)	LV Min. (mcd)	Price Each		
Mfr.	Mfr. Part No.				1	10	100
755	SML-010M8TT86	Green	570	5.6	.57	.341	.212
755	SML-010V8TT86	Red	650	2.2	.57	.341	.212
755	SML-010Y8TT86	Yellow	585	2.2	.57	.341	.212
755	SML-012D8TT86	Orange	605	6.3	.55	.334	.153
755	SML012ECTT86	Green	518	140	1.95	1.58	1.42
755	SML-012M8TT86	Green	572	10	.55	.334	.153
755	SML-012U8TT86	Red	620	40	.55	.334	.153
755	SML-012UT86	Red	630	36	.48	.36	.226
755	SML-012V8TT86	Red	630	25	.54	.324	.148
755	SML-012Y8TT86	Yellow	590	63	.55	.334	.153
755	SML013BDTT86	Blue	470	250	1.46	1.17	.903
755	SML013WBDW1	White	-	900	2.07	1.67	1.50

1210 LEDs

For quantities greater than listed, call for quote.

MOUSER STOCK NO.		Color	Wavelength (nm)	LV Min. (mcd)	Price Each		
Mfr.	Mfr. Part No.				1	10	100
755	SML-020MVT86	Red/Green	650/570	3.6/9	.68	.503	.316

© Copyright 2015 Mouser Electronics



SMD LEDs

PLCC-2

For quantities greater than listed, call for quote.

MOUSER STOCK NO.		Color	Wavelength (nm)	LV Min. (mcd)	Price Each		
Mfr.	Mfr. Part No.				1	10	100
755	SMLZ14BGT86	Blue	470	140	1.12	.898	.69

THRU HOLE LEDs

3mm

For quantities greater than listed, call for quote.

MOUSER STOCK NO.		Color	Wavelength (nm)	LV Min. (mcd)	Price Each			
Mfr.	Mfr. Part No.				1	10	100	1000
755	SLI-343UR3FW	Red	630	36	.54	.326	.203	.152
755	SLR-322MC3F	Green	563	9	.56	.335	.153	.118
755	SLR-322MG3F	Green	563	3.6	.56	.335	.153	.118
755	SLR-322VC3F	Red	650	5.6	.56	.335	.153	.118
755	SLR-322VR3F	Red	650	3.6	.56	.335	.153	.118
755	SLR-332MG3F	Green	563	5.6	.56	.335	.153	.118
755	SLR-332VR3F	Red	650	3.6	.56	.335	.153	.118
755	SLR343BC4T3F	Blue	468	200	1.37	1.10	.844	.589
755	SLR343BC3F	Blue	468	200	1.76	1.42	1.28	.769
755	SLR343EC3F	Green	518	610	1.83	1.48	1.33	.799
755	SLR-343MCT32	Green	563	9	.42	.254	.117	.09
755	SLR-343MGT32	Green	563	5.6	.46	.277	.127	.097
755	SLR-343VCT32	Red	650	9	.47	.284	.13	.10
755	SLR-343VRT32	Red	650	5.6	.42	.254	.117	.09
755	SLI-343D8C3F	Orange	611	680	.40	.242	.151	.113
755	SLI-343P8C3F	Green	560	22	.40	.242	.151	.113
755	SLI-343P8G3F	Green	560	22	.40	.242	.151	.113
755	SLI-343U8R3F	Red	630	220	.40	.242	.151	.113
755	SLI-343U8RC3F	Red	630	220	.40	.242	.151	.113
755	SLI-343URC3FW	Red	630	36	.54	.326	.203	.152
755	SLI-343YC3F	Yellow	591	90	.67	.50	.314	.243
755	SLI-343YY3FW	Yellow	591	36	.54	.326	.203	.152
755	SLR-332DU3F	Orange	610	3.6	.56	.335	.154	.118
755	SLR-332MC3F	Green	563	5.6	.56	.335	.153	.118
755	SLR-332YY3F	Yellow	585	2.2	.56	.335	.153	.118
755	SLR343WBC7T3	White	-	330	.91	.733	.46	.368
755	SLR-322YY3F	Yellow	585	10	.56	.335	.153	.118

5mm

For quantities greater than listed, call for quote.

MOUSER STOCK NO.		Color	Wavelength (nm)	LV Min. (mcd)	Price Each			
Mfr.	Mfr. Part No.				1	10	100	1000
755	SLA560BAT3F	Blue	468	2200	1.32	1.06	.817	.569
755	SLA560BCT3F	Blue	468	200	1.74	1.40	1.26	.76
755	SLA560EC4T3F	Green	523	1500	1.59	1.28	1.15	.695
755	SLA-560MT3F	Green	563	42	.43	.318	.20	.154
755	SLA560WBC7T2XM	White	-	470	1.06	.854	.655	.457
755	SLA560WBC7T3	White	-	1000	1.06	.854	.655	.457
755	SLA560WB2PT2	White	-	3300	1.58	1.28	1.15	.691
755	SLA560WB2PT3	White	-	3300	1.58	1.28	1.15	.691
755	SLA-570MT3F	Green	563	200	.43	.318	.20	.154
755	SLA580BCT3F	Blue	468	900	1.74	1.40	1.26	.76
755	SLA-580MT3F	Green	563	200	.43	.318	.20	.154
755	SLI-560DT3F	Orange	611	300	.53	.391	.246	.19
755	SLI-560UT3F	Red	630	300	.53	.391	.246	.19
755	SLI-570DT3F	Orange	611	900	.53	.391	.246	.19
755	SLI-570UT3F	Red	630	900	.53	.391	.246	.19
755	SLI-570YT3F	Yellow	591	610	.53	.391	.246	.19
755	SLI-580DT3F	Orange	611	1300	.53	.391	.246	.19
755	SLI-580UT3F	Red	630	2000	.53	.391	.246	.19
755	SLI-580YT3F	Yellow	591	1300	.53	.391	.246	.19
755	SLR-56DC3F	Orange	610	9	.39	.237	.147	.11
755	SLR-56DU3F	Orange	610	3.6	.39	.237	.147	.11
755	SLR-56MC3F	Green	563	14	.39	.237	.147	.11

THRU HOLE LEDs (CONT.)

DIMENSIONS: mm

5mm

For quantities greater than listed, call for quote.

MOUSER STOCK NO.		Color	Wavelength (nm)	LV Min. (mcd)	Price Each			
Mfr.	Mfr. Part No.				1	10	100	1000
755	SLR-56MG3F	Green	563	5.6	.52	.317	.145	.112
755	SLR-56MGT32	Green	563	5.6	.42	.255	.159	.119
755	SLR-56VC3F	Red	650	9	.48	.288	.132	.102
755	SLR-56VR3F	Red	650	3.6	.39	.237	.147	.11
755	SLR-56VRT32	Red	650	3.6	.42	.255	.159	.119
755	SLR-56YC3F	Yellow	585	9	.39	.237	.147	.11
755	SLR-56YY3F	Yellow	585	3.6	.39	.237	.147	.11
755	SLR-56YVT32	Yellow	585	3.6	.42	.255	.159	.119
755	SLR-56VCT32	Red	650	9	.42	.255	.159	.119
755	SLI-560YT3F	Yellow	591	1000	.53	.391	.246	.19
755	SLR-56VTE7	Red	650	3.6	.45	.269	.167	.125

INFRARED LEDs

For quantities greater than listed, call for quote.

MOUSER STOCK NO.	Rohm Part No.	V _F Max. (V)	P _D (mW)	I _R (μA)	Price Each			
					1	10	100	
755	SIM-012SBT87	SIM-012SBT87	1.2 @ 20mA	60	10	.70	.561	.352
755	SIM-012SBT97	SIM-012SBT97	1.2 @ 20mA	60	10	.70	.561	.352
755	SIM-030ST	SIM-030ST	1.7 @ 100mA	180	10	1.64	1.31	1.01
755	SIM-040ST	SIM-040ST	1.7 @ 100mA	180	10	1.71	1.37	1.05
755	SIR-320ST3F	SIR-320ST3F	1.2 @ 50mA	100	10	.75	.602	.378
755	SIR-505STA47	SIR-505STA47	1.38 @ 100mA	160	10	.56	.419	.264
755	SIR-56ST3F	SIR-56ST3F	1.3 @ 100mA	160	10	.43	.323	.203

PHOTOINTERRUPTERS

For quantities greater than listed, call for quote.

MOUSER STOCK NO.	Rohm Part No.	V _{CEO} Max. (V)	Gap Width (mm)	I _C (mA)	V _R (V)	Price Each			
						1	10	100	
755	RPI-0128	RPI-0128	30	1.2	30	5	.76	.612	.384
755	RPI-0226	RPI-0226	30	2	30	5	.87	.70	.537
755	RPI-129B	RPI-129B	30	1.2	30	5	.94	.755	.474
755	RPI-130	RPI-130	30	1.2	30	5	.77	.625	.392
755	RPI-151	RPI-151	30	1.5	30	5	1.82	1.47	1.32
755	RPI-352	RPI-352	30	3	30	5	.96	.775	.486
755	RPI-441C1E	RPI-441C1E	30	4	30	5	.88	.708	.444
755	RPI-441C1	RPI-441C1	30	4	30	5	.88	.711	.446
755	RPI-579N1E	RPI-579N1E	30	5	30	5	.83	.673	.422
755	RPI-579N1	RPI-579N1	30	5	30	5	.96	.77	.591
755	RPI-579	RPI-579	30	5	30	5	.95	.765	.48

PHOTOSENSORS

For quantities greater than listed, call for quote.

MOUSER STOCK NO.	Rohm Part No.	V _{CEO} Max. (V)	I _F (mA)	V _R (V)	Price Each			
					1	10	100	
755	RPR-220	RPR-220	30	50	5	1.57	1.26	.968
755	RPR-220PC30N	RPR-220PC30N	30	50	5	5.23	4.20	3.83

PHOTOTRANSISTORS

For quantities greater than listed, call for quote.

MOUSER STOCK NO.	Rohm Part No.	I _C Max. (mA)	λ _P (nm)	P _D (mW)	Price Each			
					1	10	100	
755	RPM-012PBT87	RPM-012PBT87	20	800	75	.96	.77	.591
755	RPM-012PBT97	RPM-012PBT97	20	800	75	.79	.637	.40
755	RPM-075PTT86	RPM-075PTT86	10	600	50	.67	.536	.336
755	RPT-34PB3F	RPT-34PB3F	30	800	150	.61	.454	.286
755	RPT-37PB3F	RPT-37PB3F	30	800	150	.70	.517	.325
755	RPT-38PB3F	RPT-38PB3F	30	800	150	.61	.491	.308

VCC LEDs



This page of product is RoHS compliant.



LED Indication VCC

THRU-HOLE LEDs

T1 3mm LEDs - without Base Flange

MOUSER STOCK NO.	VCC Part No.	Fig.	LED		Wave-length (nm)	Intensity Typ (mcd)	Viewing Angle	Price Each			
			Color	Lens				1	10	100	500
593-VAOL-3HAE4	VAOL-3HAE4	A	Red	Clear	643	150	30	.23	.205	.158	.123
593-VAOL-3MAE2	VAOL-3MAE2	A	Red	Diffused	640	80	60	.23	.205	.158	.123
593-VAOL-3MCE2	VAOL-3MCE2	A	Yellow	Diffused	590	80	60	.25	.22	.17	.133
593-VAOL-3HCE4	VAOL-3HCE4	A	Yellow	Clear	590	150	30	.25	.22	.17	.133
593-VAOL-3MDE2	VAOL-3MDE2	A	Green	Diffused	570	80	60	.21	.189	.146	.114
593-VAOL-3HDE4	VAOL-3HDE4	A	Green	Clear	570	170	30	.25	.22	.17	.133
593-VAOL-3MSBY2	VAOL-3MSBY2	A	Blue	Diffused	470	1200	60	.45	.356	.306	.243
593-VAOL-3HSBY4	VAOL-3HSBY4	A	Blue	Clear	470	2500	30	.47	.37	.318	.252
593-VAOL-3MWY4	VAOL-3MWY4	A	White	Clear	-	2500	60	.48	.425	.321	.251

T1 3mm LEDs - with Base Flange

MOUSER STOCK NO.	VCC Part No.	Fig.	LED		Wave-length (nm)	Intensity Typ (mcd)	Viewing Angle	Price Each			
			Color	Lens				1	10	100	500
593-VAOL-3GAE4	VAOL-3GAE4	B	Red	Clear	643	150	30	.23	.205	.158	.123
593-VAOL-3LAE2	VAOL-3LAE2	B	Red	Diffused	640	80	60	.25	.22	.17	.133
593-VAOL-3LCE2	VAOL-3LCE2	B	Yellow	Diffused	590	85	60	.25	.22	.17	.133
593-VAOL-3GCE4	VAOL-3GCE4	B	Yellow	Clear	590	150	30	.25	.22	.17	.133
593-VAOL-3LDE2	VAOL-3LDE2	B	Green	Diffused	570	80	60	.23	.205	.158	.123
593-VAOL-3GDE4	VAOL-3GDE4	B	Green	Clear	570	170	30	.23	.205	.158	.123
593-VAOL-3LSBY1	VAOL-3LSBY1	B	Blue	Milky Diffused	470	700	60	.45	.356	.306	.243
593-VAOL-3LSBY2	VAOL-3LSBY2	B	Blue	Diffused	470	1200	60	.45	.356	.306	.243
593-VAOL-3LSBY4	VAOL-3LSBY4	B	Blue	Clear	470	1200	60	.43	.342	.294	.234
593-VAOL-3GSBY4	VAOL-3GSBY4	B	Blue	Clear	470	2500	30	.47	.37	.318	.252
593-VAOL-3LWY4	VAOL-3LWY4	B	White	Clear	-	2500	60	.50	.395	.339	.269
593-VAOL-3GWY4	VAOL-3GWY4	B	White	Clear	-	3500	30	.48	.425	.321	.251

T1 3mm LEDs - Bi-Color

MOUSER STOCK NO.	VCC Part No.	Fig.	LED		Wave-length (nm)	Intensity Typ (mcd)	Viewing Angle	Price Each			
			Color	Lens				1	10	100	500
593-VAOB-3GACE2-C	VAOB-3GACE2-C	C	Red/Yellow	Milky Diffused	640/590	100/80	60	.47	.37	.318	.252
593-VAOB-3GADE2-C	VAOB-3GADE2-C	C	Red/Green	Milky Diffused	640/570	100/80	60	.45	.356	.306	.243
593-VAOB-3GCDE2-C	VAOB-3GCDE2-C	C	Yellow/Green	Milky Diffused	590/570	80/80	60	.50	.397	.341	.271

T1 - 3/4 5mm LEDs - Cylindrical

MOUSER STOCK NO.	VCC Part No.	Fig.	LED		Wave-length (nm)	Intensity Typ (mcd)	Viewing Angle	Price Each			
			Color	Lens				1	10	100	500
593-VAOL-5701AE4	VAOL-5701AE4	D	Red	Clear	643	85	100	.23	.205	.158	.123
593-VAOL-5701CE4	VAOL-5701CE4	D	Yellow	Clear	590	80	100	.23	.205	.158	.123
593-VAOL-5701DE4	VAOL-5701DE4	D	Green	Clear	570	100	100	.25	.22	.17	.133
593-VAOL-5701SBY4	VAOL-5701SBY4	D	Blue	Clear	465	1000	100	.45	.356	.306	.243
593-VAOL-5701WY4	VAOL-5701WY4	D	White	Clear	-	1800	100	.47	.411	.31	.243

T1 - 3/4 5mm LEDs - without Base Flange

MOUSER STOCK NO.	VCC Part No.	Fig.	LED		Wave-length (nm)	Intensity Typ (mcd)	Viewing Angle	Price Each			
			Color	Lens				1	10	100	500
593-VAOL-5MAE2	VAOL-5MAE2	E	Red	Diffused	640	80	60	.23	.205	.158	.123
593-VAOL-5MCE2	VAOL-5MCE2	E	Yellow	Diffused	590	80	60	.25	.22	.17	.133
593-VAOL-5MDE2	VAOL-5MDE2	E	Green	Diffused	570	50	60	.23	.205	.158	.123
593-VAOL-5MSBY2	VAOL-5MSBY2	E	Blue	Diffused	470	1500	60	.43	.342	.294	.234

T1 - 3/4 5mm LEDs - with Base Flange

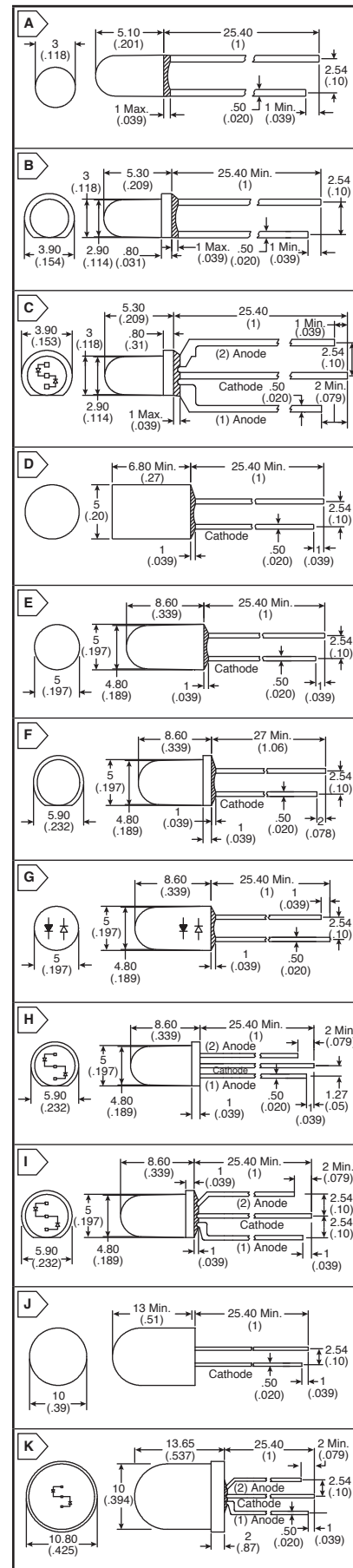
MOUSER STOCK NO.	VCC Part No.	Fig.	LED		Wave-length (nm)	Intensity Typ (mcd)	Viewing Angle	Price Each			
			Color	Lens				1	10	100	500
593-VAOL-5GAE4	VAOL-5GAE4	F	Red	Clear	643	250	30	.23	.205	.158	.123
593-VAOL-5LAE1	VAOL-5LAE1	F	Red	Milky Diffused	640	80	60	.25	.22	.17	.133
593-VAOL-5LAE2	VAOL-5LAE2	F	Red	Diffused	640	100	60	.23	.205	.158	.123
593-VAOL-5LCE1	VAOL-5LCE1	F	Yellow	Milky Diffused	590	80	60	.25	.22	.17	.133
593-VAOL-5LCE2	VAOL-5LCE2	F	Yellow	Diffused	590	100	60	.25	.22	.17	.133
593-VAOL-5GCE4	VAOL-5GCE4	F	Yellow	Clear	590	380	30	.23	.205	.158	.123
593-VAOL-5LDE1	VAOL-5LDE1	F	Green	Milky Diffused	570	50	60	.25	.22	.17	.133
593-VAOL-5LDE2	VAOL-5LDE2	F	Green	Diffused	570	150	60	.21	.189	.146	.114
593-VAOL-5GDE4	VAOL-5GDE4	F	Green	Clear	570	380	30	.23	.205	.158	.123
593-VAOL-5LSBY1	VAOL-5LSBY1	F	Blue	Milky Diffused	470	1500	60	.45	.356	.306	.243
593-VAOL-5LSBY2	VAOL-5LSBY2	F	Blue	Diffused	462	1500	60	.41	.321	.275	.219
593-VAOL-5LSBY4	VAOL-5LSBY4	F	Blue	Clear	462	1500	60	.45	.356	.306	.243
593-VAOL-5GSBY4	VAOL-5GSBY4	F	Blue	Clear	460	7000	30	.45	.356	.306	.243
593-VAOL-5LWY4	VAOL-5LWY4	F	White	Clear	-	4000	60	.48	.425	.321	.251
593-VAOL-5GWY4	VAOL-5GWY4	F	White	Clear	-	7000	30	.50	.395	.339	.269

T1 - 3/4 5mm LEDs - Bi-Color

MOUSER STOCK NO.	VCC Part No.	Fig.	LED		Wave-length (nm)	Intensity Typ (mcd)	Viewing Angle	Price Each			
			Color	Lens				1	10	100	500
593-VAOB-5H2ACE2	VAOB-5H2ACE2	G	Red/Yellow	Diffused	640/590	100/80	60	.50	.397	.341	.271
593-VAOB-5H2ADE2	VAOB-5H2ADE2	G	Red/Green	Diffused	640/570	100/80	60	.45	.356	.306	.243
593-VAOB-5H2CDE2	VAOB-5H2CDE2	G	Yellow/Green	Diffused	590/570	80/80	60	.50	.397	.341	.271
593-VAOB-5GACT2-SC	VAOB-5GACT2-SC	H	Red/Yellow	Milky Diffused	640/590	80/70	60	.47	.411	.31	.243
593-VAOB-5GADT2-SC	VAOB-5GADT2-SC	H	Red/Green	Milky Diffused	640/570	90/70	60	.42	.329	.282	.224
593-VAOB-5GCDT2-SC	VAOB-5GCDT2-SC	H	Yellow/Green	Milky Diffused	590/570	70/63	60	.50	.438	.331	.259
593-VAOB-5GACE2-C	VAOB-5GACE2-C	I	Red/Yellow	White Diffused	640/590	100/80	60	.49	.384	.329	.262
593-VAOB-5GADE2-C	VAOB-5GADE2-C	I	Red/Green	White Diffused	640/570	100/80	60	.42	.329	.282	.224
593-VAOB-5GCDE2-C	VAOB-5GCDE2-C	I	Yellow/Green	White Diffused	590/570	80/80	60	.49	.384	.329	.262

T3 - 1/8 10mm LEDs

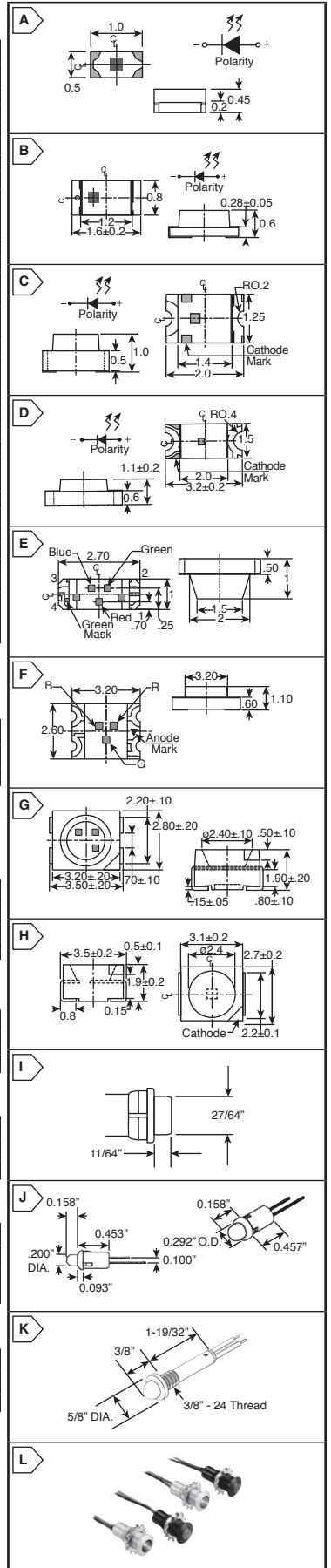
MOUSER STOCK NO.	VCC Part No.	Fig.	LED		Wave-length (nm)	Intensity Typ (mcd)	Viewing Angle	Price Each			
			Color	Lens				1	10	100	500
593-VAOL-10GAT4	VAOL-10GAT4	J	Red	Clear	640	655	30	.28	.252	.194	.152
593-VAOL-10GCE4	VAOL-10GCE4	J	Yellow	Clear	590	593	30	.32	.283	.219	.171
593-VAOL-10GDE4	VAOL-10GDE4	J	Green	Clear	570	350	30	.28	.252	.194	.152
593-VAOL-10GSBY4	VAOL-10GSBY4	J	Blue	Clear	470	7000	30	.53	.466	.352	.275
593-VAOL-10GWY4	VAOL-10GWY4	J	White	Clear	-	8000	30	.56	.493	.373	.292
593-VAOB-10GACE2-C	VAOB-10GACE2-C	K	Red/Yellow	White Diffused	640/590	100/90	30	.56	.493	.373	.292
593-VAOB-10GADE2-C	VAOB-10GADE2-C	K	Red/Green	White Diffused	640/570	100/80	30	.47	.411	.31	.243
593-VAOB-10GCDE2-C	VAOB-10GCDE2-C	K	Yellow/Green	White Diffused	590/570	90/80	30	.56	.493	.373	.292



SURFACE MOUNT LEDs

For quantities greater than listed, call for quote.

MOUSER STOCK NO.	VCC Part No.	Fig.	LED		Wavelength (nm)	Intensity Typ (mcd)	Viewing Angle	Price Each			
			Color	Lens				1	100	500	1000
0402 Size											
593-VAOL-S4YP4	VAOL-S4YP4	A	Yellow	Water Clear	589	38	120°	.32	.219	.171	.146
593-VAOL-S4SB4	VAOL-S4SB4	A	Blue	Water Clear	568	57	120°	.49	.329	.262	.209
593-VAOL-S4WR4	VAOL-S4WR4	A	White	Yellow Diffused	-	57	130°	.61	.404	.316	.263
0603 Size											
593-VAOL-S6RP4	VAOL-S6RP4	B	Red	Water Clear	650	16	120°	.22	.15	.114	.099
593-VAOL-S6YP4	VAOL-S6YP4	B	Yellow	Water Clear	589	16	120°	.22	.15	.114	.099
593-VAOL-S6GT4	VAOL-S6GT4	B	Yellow Green	Water Clear	573	14.5	120°	.17	.117	.08	.069
593-VAOL-S6SB4	VAOL-S6SB4	B	Blue	Water Clear	568	11.5	120°	.35	.235	.187	.149
593-VAOL-S6WR4	VAOL-S6WR4	B	White	Yellow Diffused	-	45	130°	.47	.318	.252	.202
0805 Size											
593-VAOL-S8YP4	VAOL-S8YP4	C	Yellow	Water Clear	589	38	140°	.21	.146	.114	.097
593-VAOL-S8GT4	VAOL-S8GT4	C	Yellow Green	Water Clear	573	17	140°	.21	.146	.114	.097
593-VAOL-S8SB4	VAOL-S8SB4	C	Blue	Water Clear	568	36	140°	.34	.231	.18	.154
593-VAOL-S8WR4	VAOL-S8WR4	C	White	Yellow Diffused	-	28	150°	.47	.318	.252	.202
1206 Size											
593-VAOL-S12RP4	VAOL-S12RP4	D	Red	Water Clear	624	38	130°	.23	.158	.123	.105
593-VAOL-S12YP4	VAOL-S12YP4	D	Yellow	Water Clear	589	39	130°	.21	.146	.114	.097
593-VAOL-S12GT4	VAOL-S12GT4	D	Yellow Green	Water Clear	573	15	130°	.23	.158	.123	.105
593-VAOL-S12SB4	VAOL-S12SB4	D	Blue	Water Clear	568	28.5	130°	.32	.221	.169	.147
593-VAOL-S12WR4	VAOL-S12WR4	D	White	Yellow Diffused	-	45	140°	.50	.341	.271	.217
2.7mm x 1mm											
593-VAOL-S2223RGB	VAOL-S2223RGB	E	RGB	Clear	-	72/180/45	120°	1.90	1.09	.893	.767
3.2mm x 2.6mm											
593-VAOL-S1513RGB	VAOL-S1513RGB	F	RGB	Clear	624/525/470	140/180/70	120°	1.69	.973	.792	.681
3.2mm x 2.8mm											
593-VAOS-SP4RGB4	VAOS-SP4RGB4	G	RGB	Clear	-	112/180/72	120°	2.09	1.20	.979	.841
PLCC-2 Size											
593-VAOL-S2RP4	VAOL-S2RP4	H	Red	Water Clear	624	360	120°	.45	.306	.243	.194
593-VAOL-S2YP4	VAOL-S2YP4	H	Yellow	Water Clear	589	360	120°	.45	.306	.243	.194
593-VAOL-S2GT4	VAOL-S2GT4	H	Yellow Green	Water Clear	573	37	120°	.45	.306	.243	.194
593-VAOL-S2SB4	VAOL-S2SB4	H	Blue	Water Clear	568	90	120°	.55	.364	.278	.238
593-VAOL-S2WR4	VAOL-S2WR4	H	White	Yellow Diffused	-	715	120°	.67	.445	.348	.29



32 SERIES FLAT CYLINDRICAL LENS WITH BEZEL NEON PANEL MOUNT INDICATOR

For quantities greater than listed, call for quote.

MOUSER STOCK NO.	VCC Part No.	Fig.	Body Color	Voltage (Max.)	Design Watts	Termination	Price Each			
							1	100	500	1000
593-32R-2111T	32R-2111T	I	Red	125	1/3W	3/16" Tab	10.84	10.14	9.53	9.25

LED PANEL MOUNT INDICATORS

L59 Series Black Body with Integral Bezel

For quantities greater than listed, call for quote.

MOUSER STOCK NO.	VCC Part No.	Fig.	Body Color	Voltage (Max.)	Intensity (Type) (mcd)	Termination	Price Each			
							1	100	500	1000
593-L59D-R24-W	L59D-R24-W	J	Red	24	10	6" Wire	5.50	3.41	2.75	2.57
593-L59D-G24-W	L59D-G24-W	J	Green	24	20	6" Wire	5.98	3.61	3.10	3.06

L59U Series Black Body with Integral Bezel

For quantities greater than listed, call for quote.

MOUSER STOCK NO.	VCC Part No.	Fig.	Body Color	Voltage (Max.)	Intensity (Type) (mcd)	Termination	Price Each			
							1	100	500	1000
593-L59UD-G24-W	L59UD-G24-W	J	Green	24	20	6" Wire	4.10	2.46	1.98	1.85

75 Series Black Body

For quantities greater than listed, call for quote.

MOUSER STOCK NO.	VCC Part No.	Fig.	Body Color	Voltage (Max.)	Intensity (Type) (mcd)	Termination	Price Each			
							1	100	500	1000
593-L75R-G24-2212T	L75R-G24-2212T	K	Green	24	-	3/16" Tab	5.19	3.22	2.59	2.42

CNX 480 Series Black Body without Moisture Seal

For quantities greater than listed, call for quote.

MOUSER STOCK NO.	VCC Part No.	Fig.	Body Color	Voltage (Max.)	Intensity (Type) (mcd)	Termination	Price Each			
							1	100	500	1000
593-CNX4801RTP12	CNX 480 1 RTP 12	L	Red	1.8	245-345	12" Wire	12.26	7.83	7.07	7.03
593-CNX4801GTP12	CNX 480 1 GTP 12	L	Green	1.9	345-485	12" Wire	12.26	7.83	7.07	7.03

CNX 480 Series Silver Body without Moisture Seal

For quantities greater than listed, call for quote.

MOUSER STOCK NO.	VCC Part No.	Fig.	Body Color	Voltage (Max.)	Intensity (Type) (mcd)	Termination	Price Each			
							1	100	500	1000
593-CNX4802CTP12	CNX 480 2 CTP 12	L	White	2.8	3500-4900	12" Wire	12.49	7.97	7.20	7.16

ACCESSORIES

For quantities greater than listed, call for quote.

MOUSER STOCK NO.	VCC Part No.	Description	Price Each			
			1	100	500	1000
593-BZL722-2	BZL722-2	LED Mounting Hardware Bezel and Seal 722 Series Red	.84	.518	.38	.324
593-BZL722-4	BZL722-4	LED Mounting Hardware Bezel and Seal 722 Series Yellow	.84	.518	.38	.324
593-BZL722-5	BZL722-5	LED Mounting Hardware Bezel and Seal 722 Series Green	.84	.518	.38	.324

VCC LEDs, Assemblies and Connectors



RoHS Compliant This page of product is RoHS compliant.

LED Indication VCC

DIMENSIONS: mm (in.)

CMC 441 / CMS 442

CNX 440

Recommended LEDs

HMC 461 / HMS 462

CNX 460

Recommended LEDs

CABLE ASSEMBLIES FOR 5MM AND 10MM LED LIGHTS

Features:

- 180° viewing angle for LED that have 20 to 20K mcd
- Lens threads into holder for easy assembly
- Sealed style exceeds NEMA 4 for dust, water, and ice

Additional Options:

- Can be made with 3 or 4 wire configuration
- 24AWG stranded wire

Pre-wired Solderless LED Holders - Twist Fit

For quantities greater than listed, call for quote.

MOUSER STOCK NO.	VCC Part No.	Length: in.	Price Each		
			1	10	100
5mm Bi-Lead LED 24AWG 2 Wire/.025" Header Post					
593-CNX440E24108	CNX440-E02-4-1-08	8	3.39	2.80	2.10
593-CNX440E24112	CNX440-E02-4-1-12	12	3.55	2.93	2.20
593-CNX440E24118	CNX440-E02-4-1-18	18	3.08	2.54	2.17
5mm Bi-Lead LED 24AWG 2 Wire/Stripped Ends					
593-CNX440X24108	CNX440-X02-4-1-08	8	2.27	2.06	1.41
593-CNX440X24112	CNX440-X02-4-1-12	12	2.46	2.23	1.51
593-CNX440X24118	CNX440-X02-4-1-18	18	2.64	2.39	1.58
593-CNX440X24124	CNX440-X02-4-1-24	24	2.86	2.59	1.67
10mm Bi-Lead LED 24AWG 2 Wire/.025" Header Post					
593-CNX460E24108	CNX460-E02-4-1-08	8	4.88	4.03	3.02
593-CNX460E24124	CNX460-E02-4-1-24	24	4.56	3.78	3.23
10mm Bi-Lead LED 24AWG 2 Wire/Stripped Ends					
593-CNX460X24108	CNX460-X02-4-1-08	8	3.39	2.80	2.40
593-CNX460X24112	CNX460-X02-4-1-12	12	3.55	2.93	2.47
593-CNX460X24118	CNX460-X02-4-1-18	18	3.70	3.06	2.56
593-CNX460X24124	CNX460-X02-4-1-24	24	3.88	3.21	2.64

Lens for Twist Style LED Holders

- Includes Lens, Lockwasher, and Ring

For quantities greater than listed, call for quote.

MOUSER STOCK NO.	VCC Part No.	Color	Price Each		
			1	10	100
5mm Standard Lens					
593-CMC441RTP	CMC441-RTP	Red	.98	.877	.605
593-CMC441ATP	CMC441-ATP	Amber	.98	.877	.605

Lens for Twist Style LED Holders (Cont.)

For quantities greater than listed, call for quote.

MOUSER STOCK NO.	VCC Part No.	Color	Price Each		
			1	10	100
5mm Standard Lens (Cont.)					
593-CMC441YTP	CMC441-YTP	Yellow	.98	.877	.605
593-CMC441RTP	CMC441-RTP	Red	.98	.877	.605
593-CMC441ATP	CMC441-ATP	Amber	.98	.877	.605
593-CMC441YTP	CMC441-YTP	Yellow	.98	.877	.605
593-CMC441GTP	CMC441-GTP	Green	.98	.877	.605
593-CMC441BTP	CMC441-BTP	Blue	.98	.877	.605
593-CMC441CTP	CMC441-CTP	Clear	.98	.877	.605
5mm Water Tight Lens					
593-CMS442RTP	CMS442-RTP	Red	1.93	1.75	1.11
593-CMS442ATP	CMS442-ATP	Amber	1.93	1.75	1.11
593-CMS442YTP	CMS442-YTP	Yellow	1.93	1.75	1.11
593-CMS442GTP	CMS442-GTP	Green	1.93	1.75	1.11
593-CMS442BTP	CMS442-BTP	Blue	1.93	1.75	1.11
593-CMS442CTP	CMS442-CTP	Clear	1.93	1.75	1.11
10mm Standard Lens					
593-HMC461RTP	HMC461-RTP	Red	1.53	1.39	.885
593-HMC461ATP	HMC461-ATP	Amber	1.53	1.39	.885
593-HMC461YTP	HMC461-YTP	Yellow	1.53	1.39	.885
593-HMC461GTP	HMC461-GTP	Green	1.53	1.39	.885
593-HMC461BTP	HMC461-BTP	Blue	1.53	1.39	.885
593-HMC461CTP	HMC461-CTP	Clear	1.53	1.39	.885
10mm Water Tight Lens					
593-HMS462RTP	HMS462-RTP	Red	2.46	2.23	1.41
593-HMS462ATP	HMS462-ATP	Amber	2.46	2.23	1.41
593-HMS462YTP	HMS462-YTP	Yellow	2.46	2.23	1.41
593-HMS462GTP	HMS462-GTP	Green	2.46	2.23	1.41
593-HMS462BTP	HMS462-BTP	Blue	2.46	2.23	1.41
593-HMS462CTP	HMS462-CTP	Clear	2.46	2.23	1.41

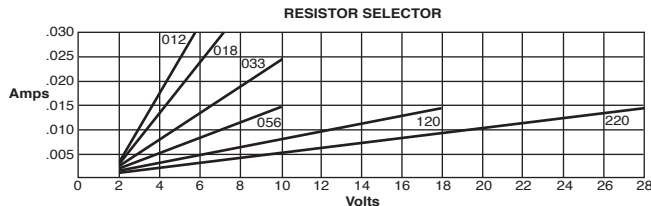
CABLE ASSEMBLIES FOR 5MM LED LIGHTS WITH BUILT-IN RESISTOR

Features:

- Made for CMC441 and CMC442 Lenses
- Lens threads into holder for easy assembly
- Sealed style exceeds NEMA 4 for dust, water, and ice
- Internal Resistor to make LED to power source easy

Additional Options:

- Other resistance available
- Lead lengths from 4 to 24 inches
- 2 or 3 Position Headers available
- Custom Color wire available



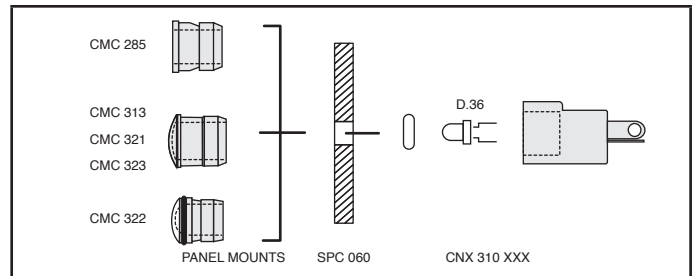
For quantities greater than listed, call for quote.

MOUSER STOCK NO.	VCC Part No.	Resistor (Ω)	Price Each		
			1	10	100
5mm Bi-Lead LED 24AWG 2 Wire/Stripped Ends - 24 Inch Leads					
593-CNX410018X24124	CNX410-018-X024124	180	3.44	2.85	2.13
593-CNX410056X24124	CNX410-056-X024124	560	3.44	2.85	2.13

SOLDERLESS LED CONNECTORS

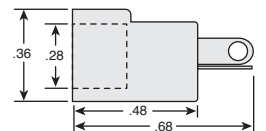
1/4W Current limiting resistor built into the natural polypropylene housing. 1/2W Resistor can be built upon request. Terminals are phosphor bronze, tin plated.

DIMENSIONS: in.



For quantities greater than listed, call for quote.

MOUSER STOCK NO.	Resistance Value (Ω)	Price Each		
		1	10	100
593-CNX310000	No resistor	.69	.603	.455
593-CNX310033	330	1.08	.966	.666
593-CNX310056	560	1.08	.966	.666
593-CNX310120	1.2K	1.08	.966	.666
593-CNX310220	2.2K	1.08	.966	.666



VCC LED Mounting Components and Lenses



RoHS Compliant This page of product is RoHS compliant.

PRE-WIRED SOLDERLESS LED INTERCONNECTIONS

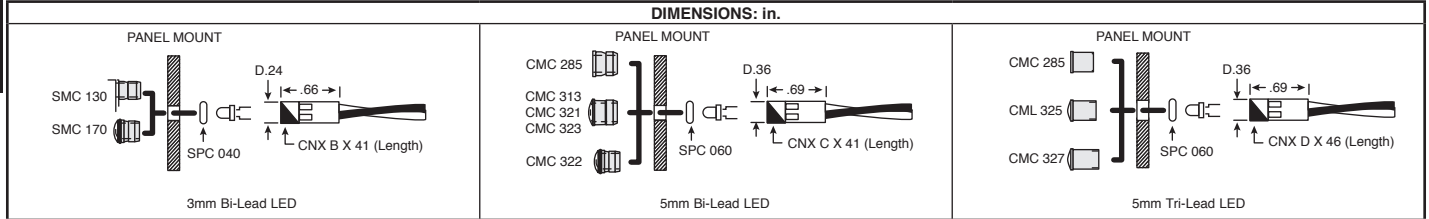
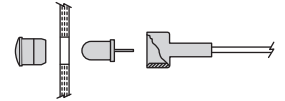
Material Specifications:

- Panel connector socket and ring: thermoplastic
- Header connector: thermoplastic (UL Listed materials)
- Terminals: phosphor bronze, tin plated
- Wire: 24AWG, 7 strand copper, insulated
- For **Locking Header** use Mouser Stock No.: 538-22-23-2021
- For **Plain Header** use Mouser Stock No.: 538-22-03-2021

Electrical Specifications:

- Terminal: 3A continuous service
- Unique three-finger design mates to round, square, or rectangular leads .017" to .025"

Insert LED into connector. Install lens in panel opening. Press connector and lens together.



3mm Bi-Lead LED

For quantities greater than listed, call for quote.

MOUSER STOCK NO.	Length: in.	Price Each		
		1	10	100
.025" Header Post				
593-CNxBE4104	4	2.73	2.48	1.57
593-CNxBE4108	8	2.73	2.48	1.57
593-CNxBE4112	12	2.95	2.67	1.69
593-CNxBE4118	18	2.66	2.20	1.65
593-CNxBE4124	24	2.84	2.35	1.76
Stripped Ends				
593-CNXXB4104	4	1.84	1.67	1.06
593-CNXXB4108	8	1.84	1.67	1.06
593-CNXXB4112	12	2.06	1.86	1.18
593-CNXXB4118	18	2.27	2.06	1.31
593-CNXXB4124	24	2.46	2.23	1.41

5mm Bi-Lead LED

For quantities greater than listed, call for quote.

MOUSER STOCK NO.	Length: in.	Price Each		
		1	10	100
.025" Header Post				
593-CNXC4104	4	2.73	2.48	1.57
593-CNXC4108	8	2.64	2.39	1.52
593-CNXC4112	12	2.95	2.67	1.69
593-CNXC4118	18	2.66	2.20	1.65
593-CNXC4124	24	2.84	2.35	1.76
Stripped Ends				
593-CNXCX4104	4	1.78	1.61	1.02
593-CNXCX4108	8	1.84	1.67	1.28
593-CNXCX4112	12	2.06	1.86	1.47
593-CNXCX4118	18	2.27	2.06	1.53
593-CNXCX4124	24	2.46	2.23	1.41

5mm Tri-Lead LED

For quantities greater than listed, call for quote.

MOUSER STOCK NO.	Length: in.	Price Each		
		1	10	100
.025" Header Post				
593-CNXD4608	8	3.31	2.74	2.05
593-CNXD4612	12	3.65	3.02	2.26
Stripped Ends				
593-CNXD4608	8	2.52	2.28	1.45
593-CNXD4624	24	3.00	2.48	1.86

PCB MOUNTS FOR BI & TRI-LEAD LEDS

Allows the right angle mounting of 5mm LEDs used as diagnostic and logic indicator lights of PC boards. Permits the right angle mounting of the bi-lead as well as both configurations of the tri-lead LED.

For quantities greater than listed, call for quote.

MOUSER STOCK NO.	Price Each		
	1	10	100
593-PCH175	.20	.191	.139

TWO POSITION PCB MOUNTS

Specifically made for VCC's header post that are used on cable assemblies. This allows a proper lock of the two parts to resist disconnecting under normal use.

For quantities greater than listed, call for quote.

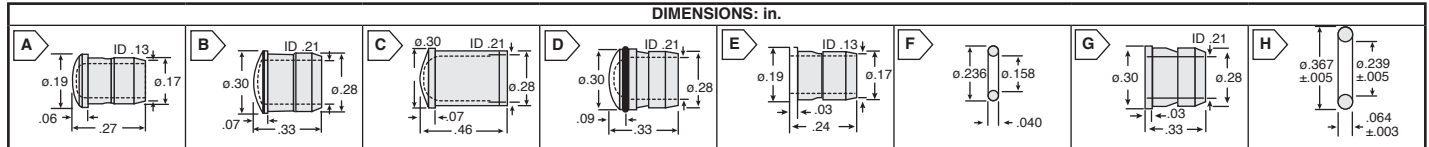
MOUSER STOCK NO.	Description	Price Each		
		1	10	100
593-CNXXV02NTP	Vertical	.51	.449	.339
593-CNXXH02NTP	Horizontal	.58	.512	.387

P-C LITE CIRCUIT BOARD SOCKETS FOR T1 (3MM) & T1-3/4 (5MM) LEDS

For quantities greater than listed, call for quote.

MOUSER STOCK NO.	No. of Positions	Price Each		
		1	10	100
Thru-Hole, Horizontal Socket				
593-PCH330	1	.85	.76	.524
Thru-Hole, Vertical Socket				
593-PCV220	1	.85	.76	.524

LOW PROFILE PANEL MOUNTS AND LENSES FOR PBC MOUNTED LEDS



Low Profile Fresnel Lenses

For quantities greater than listed, call for quote.

MOUSER STOCK NO.	VCC Part No.	Fig.	Length: in.	Price Each		
				1	10	100
T1 (3mm), Mounting Hole 0.171"						
593-1700R	SMC170RTP	A	Red	.47	.367	.315
593-1700A	SMC170ATP	A	Amber	.47	.367	.315
593-1700Y	SMC170YTP	A	Yellow	.47	.367	.315
593-1700G	SMC170GTP	A	Green	.47	.367	.315
593-1700B	SMC170BTP	A	Blue	.47	.367	.315
593-1700C	SMC170CTP	A	Clear	.47	.367	.315
T1-3/4 (5mm), Mounting Hole 0.281"						
593-3210R	CMC321RTP	B	Red	.50	.397	.341
593-3210A	CMC321ATP	B	Amber	.50	.397	.341
593-3210Y	CMC321YTP	B	Yellow	.50	.397	.341
593-3210G	CMC321GTP	B	Green	.50	.397	.341
593-3210B	CMC321BTP	B	Blue	.50	.397	.341
593-3210C	CMC321CTP	B	Clear	.50	.397	.341
593-3250C	CML325CTP	C	Clear	.50	.397	.341
T1-3/4 (5mm), Moisture Seal, Mounting Hole 0.281"						
593-3220R	CMS322RTP	D	Red	1.24	1.10	.765
593-3220A	CMS322ATP	D	Amber	1.24	1.10	.765
593-3220Y	CMS322YTP	D	Yellow	1.24	1.10	.765
593-3220G	CMS322GTP	D	Green	1.24	1.10	.765
593-3220B	CMS322BTP	D	Blue	1.24	1.10	.765
593-3220C	CMS322CTP	D	Clear	1.24	1.10	.765

Low Profile Diffused Lenses

For quantities greater than listed, call for quote.

MOUSER STOCK NO.	VCC Part No.	Fig.	Lens Color	Price Each		
				1	10	100
T1-3/4 (5mm), Mounting Hole 0.281"						
593-3130RTP	CMC313RTP	D	Red	.50	.397	.341
593-3130ATP	CMC313ATP	D	Amber	.50	.397	.341
593-3130YTP	CMC313YTP	D	Yellow	.50	.397	.341
593-3130GTP	CMC313GTP	D	Green	.50	.397	.341
593-3130BTP	CMC313BTP	D	Blue	.50	.397	.341
593-3130CTP	CMC313CTP	D	Clear	.50	.397	.341

Low Profile Plain End Lenses

For quantities greater than listed, call for quote.

MOUSER STOCK NO.	VCC Part No.	Fig.	Description	Price Each		
				1	10	100
T1-3/4 (5mm), Mounting Hole 0.281"						
593-3230C	CMC323CTP	B	Clear	.50	.397	.341
593-3270C	CML327CTP	C	Clear	.50	.397	.341

Mounts & Spacers

For quantities greater than listed, call for quote.

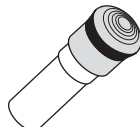
MOUSER STOCK NO.	VCC Part No.	Fig.	Description	Price Each		
				1	10	100
3mm						
593-SMC130CTP	SMC130CTP	E	T1 Clear	.33	.29	.224
593-SMC130BLK	SMC130BLK	E	T1 Black	.25	.224	.173
593-SPC040	SPC040	F	T1 Spacer	.14	.134	.097
5mm						
593-CMC285CTP	CMC285CTP	G	T1-3/4 Clear	.41	.321	.275
593-CMC285BLK	CMC285BLK	G	T1-3/4 Black	.32	.283	.219
593-SPC060	SPC060	H	T1-3/4 Spacer	.14	.134	.097

MOISTURE SEALED LENSES

VCC LSS Series Moisture-Sealed Litepipes® provide a display panel moisture seal and 180° viewing angle with VCC's SMS 172 Series panel lens. Panel assembly is easily accomplished by slipping the unit through a .171" panel opening, sliding the retaining ring over the Litepipe® barrel, and pressing the ring on while holding the lens surface tightly against the panel. The gasket is compressed as the ring is forced into place against the rear of the panel.

Features:

- LED Size: 3mm
- Mounting Hole: 0.171in.
- Diameter: 4.91mm



SMS Series Sealed Lenses

For quantities greater than listed, call for quote.

MOUSER STOCK NO.	VCC Part No.	Color	Height (mm)	Price Each		
				1	10	100
593-SMS172ATP	SMS172ATP	Amber	6.86	.83	.747	.515
593-SMS172BTP	SMS172BTP	Blue	6.86	.83	.747	.515
593-SMS172CTP	SMS172CTP	Clear	6.86	.83	.747	.515
593-SMS172GTP	SMS172GTP	Green	6.86	.83	.747	.515
593-SMS172RTP	SMS172RTP	Red	6.86	.83	.747	.515
593-SMS172YTP	SMS172YTP	Yellow	6.86	.83	.747	.515

VCC LED Lenses and Mounting Components



LED Indication

VCC

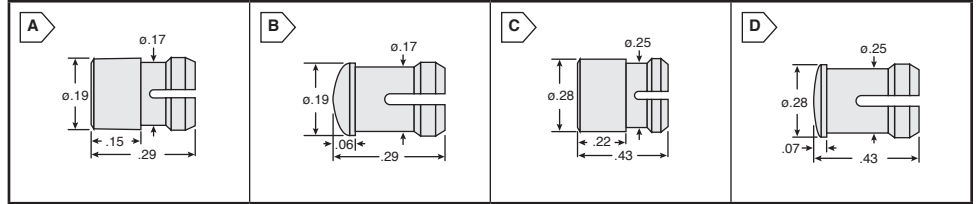
RoHS Compliant This page of product is RoHS compliant.

CLIPLITE® ROUND LENS MOUNTS FOR T1 AND T1-3/4 LEDs

- Features:**
- Provides 180° viewing angles for LEDs
 - Easy snap-mount method for front panel assembly
 - ESD protection for LED and internal components to 16K volts
 - Lens utilize striated lines and fresnel rings to increase apparent brightness up to 125%

- Specifications:**
- Lens material: Polycarbonate

DIMENSIONS: in.



T1 (3mm) For quantities greater than listed, call for quote.

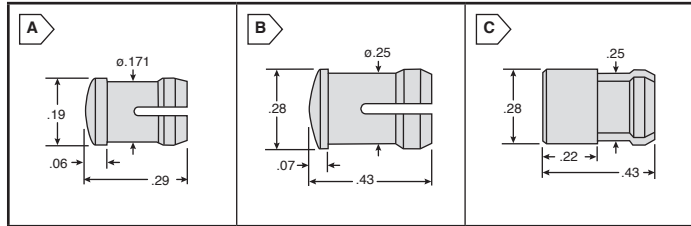
MOUSER STOCK NO.	VCC Part No.	Fig.	Mounting Hole: in.	Lens Color	Price Each			
					1	10	100	500
SML Series - Standard Height								
593-1900R	SML190RTP	A	.171	Red	.47	.367	.315	.25
593-1900A	SML190ATP	A	.171	Amber	.47	.367	.315	.25
593-1900Y	SML190YTP	A	.171	Yellow	.47	.367	.315	.25
593-1900G	SML190GTP	A	.171	Green	.47	.367	.315	.25
593-1900B	SML190BTP	A	.171	Blue	.47	.367	.315	.25
593-1900C	SML190CTP	A	.171	Clear	.47	.367	.315	.25
593-1900GLO	SML190GLO	A	.171	White Frosted	.57	.501	.379	.29
SMB Series - Low Profile								
593-2000R	SMB200RTP	B	.171	Red	.47	.367	.315	.25
593-2000A	SMB200ATP	B	.171	Amber	.47	.367	.315	.25
593-2000Y	SMB200YTP	B	.171	Yellow	.47	.367	.315	.25
593-2000G	SMB200GTP	B	.171	Green	.47	.367	.315	.25
593-2000B	SMB200BTP	B	.171	Blue	.47	.367	.315	.25
593-2000C	SMB200CTP	B	.171	Clear	.47	.367	.315	.25
593-2000GLO	SMB200GLO	B	.171	White Frosted	.57	.501	.379	.29

T1-3/4 (5mm) For quantities greater than listed, call for quote.

MOUSER STOCK NO.	VCC Part No.	Fig.	Mounting Hole: in.	Lens Color	Price Each			
					1	10	100	500
CLF Series - Standard Height								
593-2800R	CLF280RTP	C	.25	Red	.50	.397	.341	.271
593-2800A	CLF280ATP	C	.25	Amber	.50	.397	.341	.271
593-2800Y	CLF280YTP	C	.25	Yellow	.50	.397	.341	.271
593-2800G	CLF280GTP	C	.25	Green	.50	.397	.341	.271
593-2800B	CLF280BTP	C	.25	Blue	.50	.397	.341	.271
593-2800C	CLF280CTP	C	.25	Clear	.50	.397	.341	.271
593-2800GLO	CLF280GLO	C	.25	White Frosted	.62	.542	.41	.313
CLB Series - Low Profile								
593-3000R	CLB300RTP	D	.25	Red	.24	.22	.20	.182
593-3000A	CLB300ATP	D	.25	Amber	.50	.397	.341	.271
593-3000Y	CLB300YTP	D	.25	Yellow	.50	.397	.341	.271
593-3000G	CLB300GTP	D	.25	Green	.50	.397	.341	.271
593-3000B	CLB300BTP	D	.25	Blue	.50	.397	.341	.271
593-3000C	CLB300CTP	D	.25	Clear	.50	.397	.341	.271
593-3000GLO	CLB300GLO	D	.25	White Frosted	.62	.542	.41	.313

CUBELITE® SQUARE LENS MOUNTS FOR T1 AND T1-3/4 LEDs

DIMENSIONS: in.

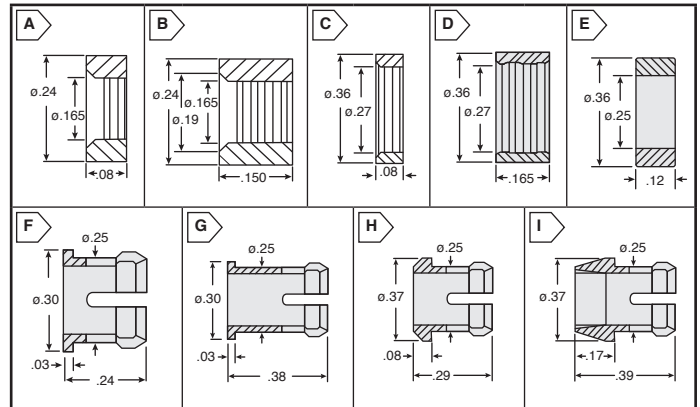


For quantities greater than listed, call for quote.

MOUSER STOCK NO.	VCC Part No.	Fig.	Litepipe Length: in.	Price Each			
				1	10	100	500
T1 (3mm) SMQ Series							
593-2500R	SMQ250RTP	A	Red	.47	.367	.315	.25
593-2500A	SMQ250ATP	A	Amber	.47	.367	.315	.25
593-2500Y	SMQ250YTP	A	Yellow	.47	.367	.315	.25
593-2500G	SMQ250GTP	A	Green	.47	.367	.315	.25
593-2500B	SMQ250BTP	A	Blue	.47	.367	.315	.25
593-2500C	SMQ250CTP	A	Clear	.47	.367	.315	.25
T1-3/4 (5mm) SQB Series							
593-4000R	SQB400RTP	B	Red	.50	.397	.341	.271
593-4000A	SQB400ATP	B	Amber	.50	.397	.341	.271
593-4000Y	SQB400YTP	B	Yellow	.50	.397	.341	.271
593-4000G	SQB400GTP	B	Green	.50	.397	.341	.271
593-4000B	SQB400BTP	B	Blue	.50	.397	.341	.271
593-4000C	SQB400CTP	B	Clear	.50	.397	.341	.271
T1-3/4 (5mm) SQL Series							
593-3600R	SQL360RTP	C	Red	.50	.397	.341	.271
593-3600A	SQL360ATP	C	Amber	.50	.397	.341	.271
593-3600Y	SQL360YTP	C	Yellow	.50	.397	.341	.271
593-3600G	SQL360GTP	C	Green	.50	.397	.341	.271
593-3600B	SQL360BTP	C	Blue	.50	.397	.341	.271
593-3600C	SQL360CTP	C	Clear	.50	.397	.341	.271

RETAINING RINGS, MOUNTING CLIPS, AND SPACERS FOR LENSES

DIMENSIONS: in.



For quantities greater than listed, call for quote.

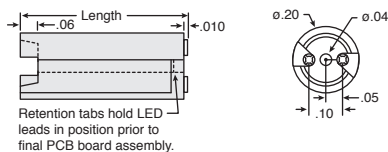
MOUSER STOCK NO.	Fig.	Description	Price Each		
			1	10	100
Retaining Rings					
593-RNG132	A	For SMC Series	.22	.21	.153
593-RNG165	B	For SML, SMB, and SMQ Series	.18	.17	.123
593-RNG234	C	For CMC Series	.18	.17	.123
593-RNG268	D	For CLF, CLB, and SQB Series	.18	.17	.123
LED Space					
593-SPC125	E	Spacer for CLB Series	.14	.134	.097
Mounting Clips					
593-CLP125	F	Standard Clip	.23	.202	.156
593-CLP126	G	Extended Clip	.23	.202	.156
593-CLP127	H	Outer Reflector Clip	.23	.202	.156
593-CLP129	I	Inner Reflector Clip	.23	.202	.156

PCB STANDOFFS FOR BI AND TRI-LEAD COMPONENTS

Standoffs are designed for printed circuit board mounting of multi-lead devices ie. LEDs. They cope with various problems in mounting passive components. They include height control, lateral stability, lead retention, lead shorting, and solder flux removal. Device height control is simplified with mounts ranging in lengths from .12" to 1.0"

- Material: thermoplastic (black) UL 94V-0

DIMENSIONS: in.



Retention tabs hold LED leads in position prior to final PCB board assembly.

For quantities greater than listed, call for quote.

MOUSER STOCK NO.	Length: in.	Price Each			
		1	10	100	500
593-STD160B	.16	.23	.202	.156	.119
593-STD180B	.18	.23	.202	.156	.119
593-STD220B	.22	.23	.202	.156	.119
593-STD300B	.30	.23	.202	.156	.119
593-STD360B	.36	.23	.202	.156	.119
593-STD500B	.50	.25	.22	.428	.328
593-STD600B	.60	.25	.22	.428	.328
593-STD650B	.65	.25	.22	.428	.328
593-STD750B	.75	.25	.22	.428	.328
593-STD950B	.95	.25	.22	.428	.328

VCC LED Litepipes® and Mounting Components



VCC LED Indication

RoHS Compliant This page of product is RoHS compliant.

2.5MM "MICRO" LITEPIPE® ASSEMBLIES

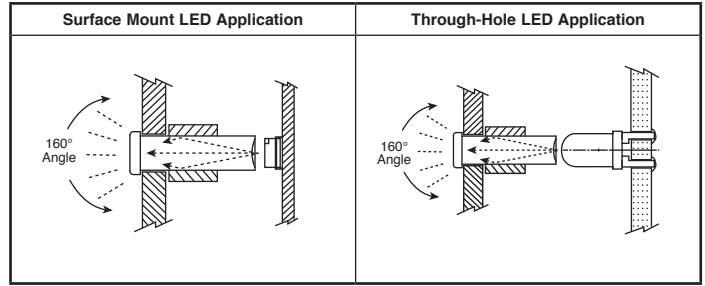
For quantities greater than listed, call for quote.

MOUSER STOCK NO.	VCC Part No.	Length: in.	Price Each			
			1	10	100	500
593-LMC020CTP	LMC020CTP	0.200	.53	.466	.352	.269
593-LMC040CTP	LMC040CTP	0.400	.53	.466	.352	.269
593-LMC060CTP	LMC060CTP	0.600	.53	.466	.352	.269
593-LMC080CTP	LMC080CTP	0.800	.53	.466	.352	.269
593-LMC100CTP	LMC100CTP	1.000	.53	.466	.352	.269
593-LMC120CTP	LMC120CTP	1.200	.53	.466	.352	.269

Grommet

For quantities greater than listed, call for quote.

MOUSER STOCK NO.	VCC Part No.	Price Each			
		1	10	100	500
593-RTN100	RTN100	.18	.17	.123	.084



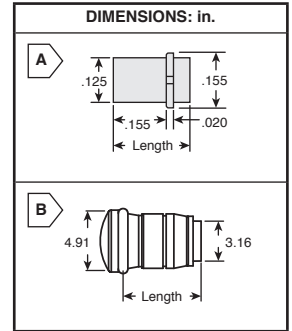
3MM LITEPIPES® ASSEMBLIES

For quantities greater than listed, call for quote.

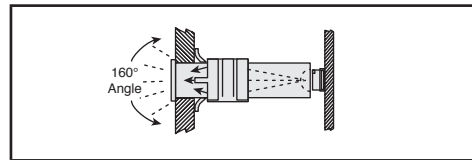
MOUSER STOCK NO.	VCC Part No.	Fig.	Length: in.	Price Each			
				1	10	100	500
LSV Series							
593-LSV020C	LSV020CTP	A	.20	.53	.352	.352	.269
593-LSV040C	LSV040CTP	A	.40	.53	.352	.352	.269
593-LSV060C	LSV060CTP	A	.60	.53	.352	.352	.269
593-LSV080C	LSV080CTP	A	.80	.53	.352	.352	.269
593-LSV100C	LSV100CTP	A	1.00	.53	.352	.352	.269
593-LSV120C	LSV120CTP	A	1.20	.53	.352	.352	.269
LSS Series							
593-LSS024CTP	LSS024CTP	B	0.24	2.52	2.28	1.45	1.18
593-LSS024GTP	LSS024GTP	B	0.24	2.52	2.28	1.45	1.18
593-LSS024RTP	LSS024RTP	B	0.24	2.52	2.28	1.45	1.18
593-LSS044CTP	LSS044CTP	B	0.44	2.52	2.28	1.45	1.18
593-LSS044GTP	LSS044GTP	B	0.44	2.52	2.28	1.45	1.18

For quantities greater than listed, call for quote.

MOUSER STOCK NO.	VCC Part No.	Fig.	Length: in.	Price Each			
				1	10	100	500
LSS Series (Cont.)							
593-LSS044RTP	LSS044RTP	B	0.44	2.52	2.28	1.45	1.18
593-LSS064CTP	LSS064CTP	B	0.64	2.52	2.28	1.45	1.18
593-LSS064GTP	LSS064GTP	B	0.64	2.52	2.28	1.45	1.18
593-LSS064RTP	LSS064RTP	B	0.64	2.52	2.28	1.45	1.18
593-LSS084CTP	LSS084CTP	B	0.84	2.52	2.28	1.45	1.18
593-LSS084GTP	LSS084GTP	B	0.84	2.52	2.28	1.45	1.18
593-LSS084RTP	LSS084RTP	B	0.84	2.52	2.28	1.45	1.18
593-LSS104CTP	LSS104CTP	B	1.04	2.52	2.28	1.45	1.18
593-LSS104GTP	LSS104GTP	B	1.04	2.52	2.28	1.45	1.18
593-LSS104RTP	LSS104RTP	B	1.04	2.52	2.28	1.45	1.18
593-LSS124CTP	LSS124CTP	B	1.24	2.52	2.28	1.45	1.18
593-LSS124GTP	LSS124GTP	B	1.24	2.52	2.28	1.45	1.18
593-LSS124RTP	LSS124RTP	B	1.24	2.52	2.28	1.45	1.18



4MM LITEPIPES® ASSEMBLIES



For quantities greater than listed, call for quote.

MOUSER STOCK NO.	VCC Part No.	Length: in.	Price Each			
			1	10	100	500
LPC Series						
593-LPC020	LPC020CTP	.20	.56	.49	.371	.283
593-LPC022	LPC022CTP	.22	.56	.49	.371	.283
593-LPC024	LPC024CTP	.24	.56	.49	.371	.283
593-LPC026	LPC026CTP	.26	.56	.49	.371	.283
593-LPC028	LPC028CTP	.28	.56	.49	.371	.283
593-LPC030	LPC030CTP	.30	.56	.49	.371	.283
593-LPC032	LPC032CTP	.32	.56	.49	.371	.283
593-LPC034	LPC034CTP	.34	.56	.49	.371	.283
593-LPC036	LPC036CTP	.36	.56	.49	.371	.283
593-LPC038	LPC038CTP	.38	.56	.49	.371	.283

For quantities greater than listed, call for quote.

MOUSER STOCK NO.	VCC Part No.	Length: in.	Price Each			
			1	10	100	500
LPC Series (Cont.)						
593-LPC040	LPC040CTP	.40	.56	.49	.371	.283
593-LPC042	LPC042CTP	.42	.56	.49	.371	.283
593-LPC044	LPC044CTP	.44	.56	.49	.371	.283
593-LPC046	LPC046CTP	.46	.56	.49	.371	.283
593-LPC048	LPC048CTP	.48	.56	.49	.371	.283
593-LPC050	LPC050CTP	.50	.56	.49	.371	.283
593-LPC056	LPC056CTP	.56	.56	.49	.371	.283
593-LPC060	LPC060CTP	.60	.56	.49	.371	.283
593-LPC066	LPC066CTP	.66	.56	.49	.371	.283
593-LPC070	LPC070CTP	.70	.56	.49	.371	.283
593-LPC076	LPC076CTP	.76	.56	.49	.371	.283
593-LPC080	LPC080CTP	.80	.56	.49	.371	.283
593-LPC086	LPC086CTP	.86	.56	.49	.371	.283
593-LPC090	LPC090CTP	.90	.56	.49	.371	.283
593-LPC096	LPC096CTP	.96	.56	.49	.371	.283
593-LPC100	LPC100CTP	1.00	.56	.49	.371	.283
593-LPC125	LPC125CTP	1.25	.65	.567	.428	.328
593-LPC150	LPC150CTP	1.50	.65	.567	.428	.328
593-LPC175	LPC175CTP	1.75	.65	.567	.428	.328
593-LPC200	LPC200CTP	2.00	.65	.567	.428	.328

For quantities greater than listed, call for quote.

MOUSER STOCK NO.	VCC Part No.	Length: in.	Price Each			
			1	10	100	500
LPCM Series						
593-LPCM030CTP	LPCM030CTP	0.30	.56	.49	.371	.283
593-LPCM040CTP	LPCM040CTP	0.40	.56	.49	.371	.283
593-LPCM050CTP	LPCM050CTP	0.50	.56	.49	.371	.283
593-LPCM060CTP	LPCM060CTP	0.60	.56	.49	.371	.283
593-LPCM080CTP	LPCM080CTP	0.80	.56	.49	.371	.283
593-LPCM090CTP	LPCM090CTP	0.90	.56	.49	.371	.283
593-LPCM100CTP	LPCM100CTP	1.00	.65	.567	.428	.328
593-LPCM110CTP	LPCM110CTP	1.10	.65	.567	.428	.328
593-LPCM120CTP	LPCM120CTP	1.20	.65	.567	.428	.328

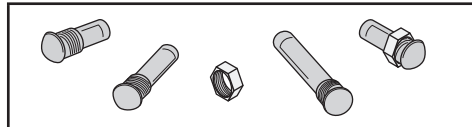
Mounts

For quantities greater than listed, call for quote.

MOUSER STOCK NO.	Description	Price Each			
		1	10	100	500
593-RTN150	Grommet	.18	.17	.123	.084
593-RTN250	Spring Clip	.22	.206	.15	.108
593-SMD4	PCB Mount	.68	.595	.449	.343

593-RTN150 for use with .200 to .500, 593-RTN250 for all other lengths.

5MM LITEPIPES® ASSEMBLIES

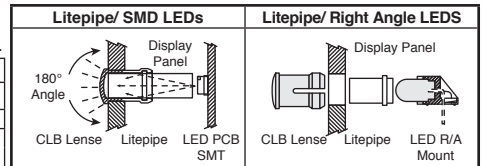


For quantities greater than listed, call for quote.

MOUSER STOCK NO.	VCC Part No.	Color	Length: in.	Price Each			
				1	10	100	500
LCS Series - Threaded Moisture Sealed							
593-LCS032Y	LCS032YTP	Yellow	0.32	3.04	2.76	1.75	1.42
593-LCS032G	LCS032GTP	Green	0.32	3.04	2.76	1.75	1.42
593-LCS032C	LCS032CTP	Clear	0.32	3.04	2.76	1.75	1.42
593-LCS032R	LCS032RTP	Red	0.52	3.04	2.76	1.75	1.42
593-LCS052Y	LCS052YTP	Yellow	0.52	3.04	2.76	1.75	1.42

For quantities greater than listed, call for quote.

MOUSER STOCK NO.	VCC Part No.	Color	Length: in.	Price Each			
				1	10	100	500
LCS Series - Threaded Moisture Sealed (Cont.)							
593-LCS052G	LCS052GTP	Green	0.52	3.04	2.76	1.75	1.42
593-LCS052C	LCS052CTP	Clear	0.52	3.04	2.76	1.75	1.42
593-LCS072R	LCS072RTP	Red	0.72	3.04	2.76	1.75	1.42
593-LCS072Y	LCS072YTP	Yellow	0.72	3.04	2.76	1.75	1.42
593-LCS072G	LCS072GTP	Green	0.72	3.04	2.76	1.75	1.42
593-LCS072C	LCS072CTP	Clear	0.72	3.04	2.76	1.75	1.42
593-LCS092G	LCS092GTP	Green	0.92	3.04	2.76	1.75	1.42
593-LCS092C	LCS092CTP	Clear	0.92	3.04	2.76	1.75	1.42
593-LCS113	LCS113CTP	Clear	1.12	3.04	2.76	1.75	1.42
593-LCS132R	LCS132RTP	Red	1.32	3.04	2.76	1.75	1.42
593-LCS132G	LCS132GTP	Green	1.32	3.04	2.76	1.75	1.42
593-LCS132C	LCS132CTP	Clear	1.32	3.04	2.76	1.75	1.42



For quantities greater than listed, call for quote.

MOUSER STOCK NO.	VCC Part No.	Length: in.	Price Each			
			1	10	100	500
LCV Series						
593-LCV036C	LCV036CTP	.36	.53	.466	.352	.269
593-LCV056C	LCV056CTP	.56	.53	.466	.352	.269
593-LCV076C	LCV076CTP	.76	.53	.466	.352	.269
593-LCV096C	LCV096CTP	.96	.53	.466	.352	.269
593-LCV116C	LCV116CTP	1.16	.53	.466	.352	.269
593-LCV136C	LCV136CTP	1.36	.53	.466	.352	.269

FLEXIBLE LIGHTPIPE® FOR SMD AND THRU-HOLE LEDS

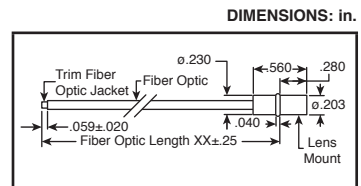
For quantities greater than listed, call for quote.

MOUSER STOCK NO.	VCC Part No.	Description	Price Each		
			1	10	100
593-SMD22	SMD 22	Coupler for SMD LEDs	.47	.37	.318
593-THR22	THR 22	Coupler for Thru-Hole LEDs	.63	.548	.414
593-THR522	THR-5-22	Coupler for 5mm Through-Hole LED	.63	.548	.414



For quantities greater than listed, call for quote.

MOUSER STOCK NO.	VCC Part No.	Length (in.)	Price Each		
			1	10	100
593-FLX02	FLX 02	2.0	2.55	2.31	1.46
593-FLX04	FLX 04	4.0	2.68	2.22	1.66
593-FLX06	FLX 06	6.0	3.23	2.67	2.00
593-FLX08	FLX 08	8.0	3.96	3.28	2.46
593-FLX12	FLX 12	12.0	4.64	3.84	2.88



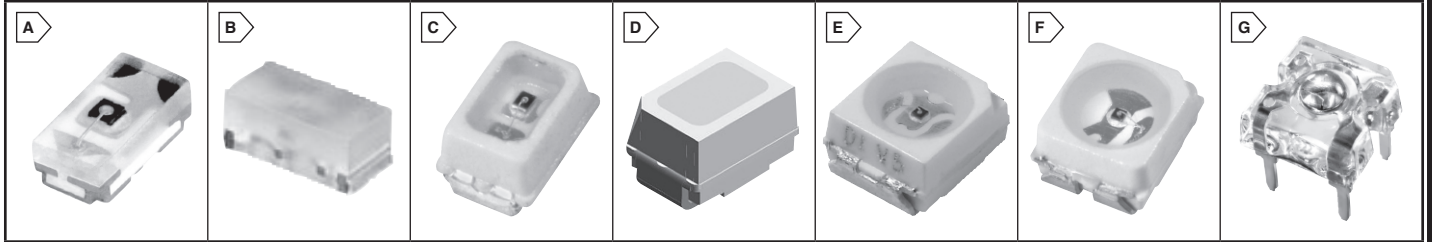
VISHAY LED Lamps

Products may be RoHS compliant. Check mouser.com for RoHS status.



LED Indication

Vishay Semiconductors



◆ Surface Mount Device

LED LAMPS

For quantities greater than listed, call for quote.

MOUSER STOCK NO.	Vishay Part No.	Fig.	Color		Forward Current (mA)	Forward Voltage		Luminous Intensity (mcd)			Peak Wavelength (nm)	Viewing Angle(°)	Price Each				
			LED	Lens		Typ.	Max.	Min.	Typ.	Max.			1	100	500		
Case 0402 LEDs																	
◆ 78-VLMB1500-GS08	VLMB1500-GS08	A	Blue	Non-Diffused	30	2.65	3.15	11.2	-	45	475	65	.11	.09	.08		
◆ 78-VLMW1500-GS08	VLMW1500-GS08	A	Cool White	Non-Diffused	20	2.55	3.15	45	-	180	7000K	65	.17	.15	.13		
◆ 78-VLMG1500-GS08	VLMG1500-GS08	A	Yellow/Green	Non-Diffused	30	2	2.4	18	35	-	571	65	.09	.08	.07		
◆ 78-VLMO1500-GS08	VLMO1500-GS08	A	Soft Orange	Non-Diffused	30	2	2.4	45	90	-	605	65	.09	.08	.07		
◆ 78-VLMS1500-GS08	VLMS1500-GS08	A	Super Red	Non-Diffused	30	2	2.4	18	54	-	631	65	.09	.08	.07		
◆ 78-VLMY1500-GS08	VLMY1500-GS08	A	Yellow	Non-Diffused	30	2	2.4	28	-	180	571	65	.09	.08	.07		
Case 0603 LEDs																	
◆ 78-TLMB1100	TLMB1100-GS08	B	Blue	Non-Diffused	15	3.9	4.5	4.0	5.0	-	428	80	.98	.75	.62		
◆ 78-TLMG1100	TLMG1100-GS08	B	Green	Non-Diffused	30	2.1	3.0	12.5	35	-	572	80	.36	.21	.18		
◆ 78-TLMS1000	TLMS1000-GS08	B	Red	Clear Non-Diff	15	1.8	2.6	1.6	4.0	-	640	160	.25	.23	.20		
◆ 782-TLMS1100	TLMS1100-GS08	B	Red	Non-Diffused	30	2.1	3.0	32	63	-	645	80	.36	.21	.18		
◆ 78-TLMO1000	TLMO1000-GS08	B	Soft Orange	Clear Non-Diff	15	1.8	2.6	3.2	7.5	-	610	160	.25	.23	.20		
◆ 78-VLMW11R2S2	VLMW11R2S2-5K8L-08	B	White	Non-Diffused	20	2.9	4.0	140	-	280	-	80	.72	.58	.49		
◆ 78-TLMY1100	TLMY1100-GS08	B	Yellow	Non-Diffused	30	2.1	3.0	50	80	-	591	80	.36	.21	.18		
◆ 78-VLMY1300-GS08	VLMY1300-GS08	B	Yellow	Clear Non-Diff	20	1.8	2.4	28	-	180	597	130	.08	.07	.056		
◆ 78-VLMO1300-GS08	VLMO1300-GS08	B	Soft Orange	Clear Non-Diff	20	2	2.4	45	90	-	605	130	.46	.181	.092		
◆ 78-VLMW1300-GS08	VLMW1300-GS08	B	White	Diffused	5	2.7	3.15	45	-	180	7000K	-	.15	.129	.102		
◆ 78-VLMG1300-GS08	VLMG1300-GS08	B	Yellow/Green	Clear Non-Diff	20	2	2.4	18	35	-	571	130	.08	.07	.056		
◆ 78-VLMTG1300-GS08	VLMTG1300-GS08	B	True Green	Clear Non-Diff	20	3.2	3.6	71	-	450	525	130	.14	.121	.095		
◆ 78-VLMS1300-GS08	VLMS1300-GS08	B	Super Red	Clear Non-Diff	20	2	2.4	18	54	-	631	130	.08	.066	.052		
◆ 78-VLMB1310-GS08	VLMB1310-GS08	B	Blue	Clear Non-Diff	20	2.8	3.8	28	-	180	475	130	.13	.114	.09		
◆ 78-VLMB1300-GS08	VLMB1300-GS08	B	Blue	Clear Non-Diff	20	2.8	3.8	28	-	180	475	130	.11	.093	.074		
MiniLEDs																	
◆ 78-VLMS233T1V1-GS08	VLMS233T1V1-GS08	C	Soft Red	Non-Diff	20	2	2.6	280	450	900	639	60	.25	.206	.169		
◆ 78-VLMR233T2V2-GS08	VLMR233T2V2-GS08	C	Red	Non-Diff	20	2	2.6	355	650	1120	632	60	.25	.206	.169		
◆ 78-VLMK233U1AA-GS08	VLMK233U1AA-GS08	C	Amber	Non-Diff	20	2.1	2.6	450	680	1400	622	60	.25	.206	.169		
◆ 78-VLMO233U1AA-GS08	VLMO233U1AA-GS08	C	Soft Orange	Non-Diff	20	2.1	2.6	450	760	1400	611	60	.25	.206	.169		
◆ 78-VLMO233U2V2-35-08	VLMO233U2V2-35-08	C	Soft Orange	Non-Diff	20	2.1	2.6	560	760	1120	609	60	.25	.206	.169		
◆ 78-VLMY233T2V2-GS08	VLMY233T2V2-GS08	C	Yellow	Non-Diff	20	2.15	2.6	355	650	1120	591	60	.25	.206	.169		
◆ 78-VLMG21J2L1	VLMG21J2L1-GS08	C	Green	Clear Non-Diff	30	2.1	2.8	5.6	-	14	565	60	.13	.10	.083		
◆ 78-VLMS21H2L1	VLMS21H2L1-GS08	C	Red	Clear Non-Diff	30	2.1	3.0	3.55	-	14	640	60	.14	.12	.095		
◆ 78-VLMS234V2BA-GS08	VLMS234V2BA-GS08	D	Super Red	-	50	2.2	2.8	900	1400	2240	639	60	.29	.22	.19		
◆ 78-VLMR234ABCA-GS08	VLMR234ABCA-GS08	D	Red	-	50	2.2	2.8	1400	2000	3550	631	60	.29	.22	.19		
◆ 78-VLMK234ABCA-GS08	VLMK234ABCA-GS08	D	Amber	-	50	2.25	2.8	1400	2500	3550	622	60	.29	.22	.19		
◆ 78-VLMY234ABCA-GS08	VLMY234ABCA-GS08	D	Yellow	-	50	2.3	2.8	1400	2000	3550	594	60	.29	.22	.19		
PLCC-2																	
◆ 78-VLMU3100-GS08	VLMU3100-GS08	E	UV	Non-Diffused	20	3.2	3.8	9	11	13	405	120	.25	.21	.17		
◆ 78-VLMK334BACB-GS08	VLMK334BACB-GS08	E	Amber	Clear Non-Diff	50	2.25	2.8	1800	2800	4500	622	60	.26	.22	.20		
◆ 78-VLMB31J2L2	VLMB31J2L2-GS08	E	Blue	Non-Diffused	20	3.9	4.5	5.6	-	11.2	428	60	.85	.67	.525		
◆ 78-VLMB41P1Q2	VLMB41P1Q2-GS08	E	Blue	Non-Diffused	20	3.0	4.2	45	-	112	464	60	.45	.39	.36		
◆ 78-VLMC3100	VLMC3100-GS08	E	Green	Non-Diffused	7	1.9	2.4	0.71	1.6	-	565	60	.13	.11	.098		
◆ 78-VLMG3100	VLMG3100-GS08	E	Green	Non-Diffused	30	2.2	2.8	4.5	16	-	565	60	.33	.25	.14		
◆ 78-VLMG31L1M2	VLMG31L1M2-GS08	E	Green	Non-Diffused	30	2.2	2.8	11	-	28	565	60	.14	.127	.12		
◆ 78-VLMT3100	VLMT3100-GS08	E	Hi-Eff. Red	Non-Diffused	7	2.2	2.9	0.28	2.5	-	635	60	.18	.12	.11		
◆ 78-VLMH3100	VLMH3100-GS08	E	Hi-Eff. Red	Non-Diffused	30	2.0	2.8	2.8	10	-	635	60	.35	.26	.15		
◆ 78-VLMO30K1M2	VLMO30K1M2-GS08	E	Orange	Clear Non-Diff	15	1.8	2.2	7.1	-	28	610	60	.13	.116	.11		
◆ 78-VLMP3100	VLMP3100-GS08	E	Pure Green	Non-Diffused	30	2.0	2.8	1.1	4.0	-	555	60	.67	.345	.23		
◆ 78-VLMK3100	VLMK3100-GS08	E	Red	Non-Diffused	30	1.9	2.6	11.2	50	-	643	60	.38	.28	.16		
◆ 78-VLMR334BACB-GS08	VLMR334BACB-GS08	E	Red	Clear Non-Diff	50	2.2	2.8	1800	2200	4500	631	60	.26	.22	.20		
◆ 78-VLMV3100	VLMV3100-GS08	E	Red/Green	Non-Diffused	30	2.4	3.0	2.8	6.0	-	625/565	60	.22	.196	.181		
◆ 78-VLMS334AABB-GS08	VLMS334AABB-GS08	E	Super Red	Clear Non-Diff	50	2.2	2.8	1120	1600	2800	639	60	.26	.22	.20		
◆ 78-VLMS30K1L2	VLMS30K1L2-GS08	E	Super Red	Clear Non-Diff	15	1.8	2.2	7.1	-	18	635	60	.13	.116	.11		
◆ 78-VLMW51N2P3-GS08	VLMW51N2P3-GS08	E	White	Non-Diffused	180	3.4	4.1	-	8	-	-	60	1.29	1.12	.86		
◆ 78-VLMA3100	VLMA3100-GS08	E	Yellow	Non-Diffused	7	2.2	2.9	0.28	2.5	-	585	60	.13	.115	.092		
◆ 78-VLMY3100	VLMY3100-GS08	E	Yellow	Non-Diffused	30	2.1	2.8	2.8	10	-	585	60	.42	.30	.173		
◆ 78-VLMY31K1L2	VLMY31K1L2-GS08	E	Yellow	Non-Diffused	30	2.1	2.8	7.1	-	18	590	60	.14	.132	.125		
◆ 78-VLMY334BACB-GS08	VLMY334BACB-GS08	E	Yellow	Clear Non-Diff	50	2.3	2.8	1800	2300	4500	594	60	.26	.22	.20		
◆ 78-VLME3100	VLME3100-GS08	E	Yellow	Non-Diffused	30	2.0	2.6	28	45	-	590	60	.13	.116	.11		
PLCC-4																	
◆ 78-VLMRGB343	VLMRGB343-ST-UV-RS	F	Blue	Non-Diffused	30	3.6	4.25	100	-	200	470	60	1.54	1.23	1.01		
		F	Red	Non-Diffused	30	1.8	2.45	140	-	285	625	60					
		F	True Green	Non-Diffused	30	3.7	4.25	285	-	560	526	60					
78-TLWR8600	TLWR8600	G	Red	Clear Non-Diff	70	2.2	2.67	2000	3000	-	624	30	.66	.41	.30		
78-TLWR8901	TLWR8901	G	Red	Clear Non-Diff	70	2.2	2.67	2000	3000	-	634	45	.69	.43	.31		
78-VLWR9630	VLWR9630	G	Red	Clear Non-Diff	70	2.2	3.03	4000	-	12200	624	30	.94	.583	.426		
78-VLWR9930	VLWR9930	G	Red	Clear Non-Diff	70	2.2	3.03	4000	-	12200	624	45	.94	.583	.426		
78-VLWR9931	VLWR9931	G	Red	Clear Non-Diff	70	2.2	3.03	5000	-	12200	634	45	.88	.549	.403		
78-VLWR9932	VLWR9932	G	Red	Clear Non-Diff	70	2.2	2.67	6000	-	12200	634	45	.88	.549	.403		
78-VLWY9630	VLWY9630	G	Yellow	Clear Non-Diff	70	2.2	3.03	4000	-	12200	594	30	.88	.55	.40		
78-VLWY9930	VLWY9930	G	Yellow	Clear Non-Diff	70	2.2	3.03	4000	-	12200	594	45	.98	.616	.448		
78-VLWY9932	VLWY9932	G	Yellow	Clear Non-Diff	70	2.2	2.67	6000	-	12200	597	45	.88	.549	.403		
78-VLWB9600	VLWB9600	G	Blue	Clear Non-Diff	50	3.9	4.7	800	1200	-	476	30	.74	.66	.53		
78-VLWB9900	VLWB9900	G	Blue	Clear Non-Diff	50	3.9	4.7	800	1200	-	476	45	1.23	.99	.81		
78-VLWTG9600	VLWTG9600	G	Green	Clear Non-Diff	50	3.9	4.7	2000	2500	-	518	30	1.16	.817	.635		

AMS Opto Components



Intelligent opto sensors simplify analog-to-digital conversion of light and are designed to reduce the need for signal conditioning or pre-processing circuitry in light-centric systems. Light sensing solutions improve system performance and reduce design-cycle time giving designers the flexibility they require.

Products may be RoHS compliant. Check mouser.com for RoHS status.

LIGHT-TO-VOLTAGE CONVERTERS

Light-to-Voltage (LTV) solutions combine a photodiode and transimpedance amplifier on a single monolithic IC. The LTV family provides a linear analog voltage output that is proportional to light intensity which is normally fed to an ADC for digital processing. **For quantities greater than listed, call for quote.**

MOUSER STOCK NO.	Fig.	Responsivity (mV/μW/cm²)	Rise Time (μs)	Spectral Response (nm)	Voltage Range (V)	Price Each			
						1	10	100	500
856-TSL257-LF	A	1300 @ 470nm	160	350-1000	2.7 to 5.5	2.00	1.61	1.29	1.13
856-TSL267-LF	A	450 @ 940nm	160	850-1000	2.7 to 5.5	2.00	1.61	1.29	1.13
856-TSL12S-LF	A	248 @ 640nm	20	320-1050	2.7 to 5.5	1.54	1.23	.946	.836
856-TSL235R-LF	A	248 @ 640nm	20	400-1000	2.7 to 5.5	3.14	2.53	2.08	1.86
856-TSL253R-LF	A	248 @ 640nm	7	350-1000	2.7 to 5.5	3.09	2.48	2.04	1.83
856-TSL250R-LF	A	137 @ 635nm	260	350-1000	2.7 to 5.5	2.44	1.97	1.57	1.38
856-TSL13S-LF	A	64 @ 640nm	8	320-1050	2.7 to 5.5	1.54	1.23	.946	.836
856-TSL251R-LF	A	52 @ 635nm	70	350-1000	2.7 to 5.5	2.44	1.97	1.57	1.38
856-TSL14S-LF	A	16 @ 640nm	3	320-1050	2.7 to 5.5	1.54	1.23	.946	.836
856-TSL252R-LF	A	10.2 @ 635nm	7	350-1000	2.7 to 5.5	2.44	1.97	1.57	1.38
856-TSL261R-LF	A	43.5 @ 940nm	70	850-1000	2.7 to 5.5	2.44	1.97	1.57	1.38
856-TSL262R-LF	A	248 @ 640nm	70	850-1000	2.7 to 5.5	2.44	1.97	1.57	1.38
856-TSL257T	B	248 @ 640nm	160	350-1000	2.7 to 5.5	2.47	1.99	1.59	1.39
856-TSL12T	B	96 @ 640nm	20	320-1050	2.7 to 5.5	1.48	1.19	.955	.835
856-TSL13T	B	24 @ 640nm	8	320-1050	2.7 to 5.5	1.48	1.19	.955	.835
856-TSL250RD	C	69 @ 640nm	260	350-1000	2.7 to 5.5	2.76	2.22	1.78	1.56
856-TSL251RD	C	17 @ 640nm	70	350-1000	2.7 to 5.5	2.76	2.22	1.78	1.56

LIGHT-TO-FREQUENCY CONVERTERS

The LTF sensor performs the functions of light sensing, signal conditioning, and A/D conversion in a single monolithic IC. The LTF device converts light intensity to a digital format for a direct interface to a microcontroller. **For quantities greater than listed, call for quote.**

MOUSER STOCK NO.	Fig.	Minimum Full Scale Frequency	Dark Signal Frequency (Hz)	Spectral Response (nm)	Programmable	Price Each			
						1	10	100	500
856-TSL237S-LF	A	500KHz	0.1	350-1000	No	3.33	2.67	2.20	1.97
856-TSL245R	A	500KHz	0.1	850-1000	No	3.14	2.53	2.08	1.86
856-TSL237T	B	500KHz	0.1	350-1000	No	3.22	2.59	2.13	1.91
856-TSL238T	B	500KHz	0.3	350-1000	Yes	3.35	2.70	2.22	1.99
856-TSL230RD	C	1.1MHz	0.4	350-1000	Yes	4.03	3.24	2.67	2.39

LIGHT-TO-DIGITAL CONVERTERS

TAOS Inc.'s Light-to-Digital Converters combine a broadband photodiode (350nm to 1100nm) with a visible light blocking photodiode in a single CMOS integrated circuit. **For quantities greater than listed, call for quote.**

MOUSER STOCK NO.	Fig.	Conversion Time (ms)	Dynamic Range (lux)	ADC Digital Output	Operating Voltage (Typ.) (V)	Price Each			
						1	10	100	500
856-TSL2550T	B	160, 800	0-10,000	7-bit companded	5	2.83	2.27	1.87	1.68
856-TSL2560T	D	12, 100, 400	0-40,000	16-bit Linear	5	2.78	2.24	1.79	1.57
856-TSL2561T	D	12, 100, 400	0-40,000	16-bit Linear	3	2.78	2.25	1.80	1.57
856-TSL2550D	C	160, 800	0-10,000	7-bit companded	5	3.01	2.42	1.99	1.79
985-TSL25911FN	E	2, 100, 600	1-60,000	7-bit companded	3.6	1.89	1.52	1.22	1.06
856-TSL2581CS	F	2.7, 688	0-40,000	16-bit Linear	3	2.23	1.80	1.44	1.26
856-TSL2581FN	G	2.7, 688	0-40,000	16-bit Linear	3	1.54	1.24	.992	.868
856-TSL45315CL	H	100, 200, 400	3-22,000	16-bit Linear	2.5	1.34	1.07	.825	.729

COLOR SENSORS, 2.7V TO 5.5V

The integrated color LTV sensors combine a photodiode, color filter, and transimpedance amplifier on a single die TAOS solution requires fewer components, saves board space and reduces assembly cost over a discrete photodiode approach. **For quantities greater than listed, call for quote.**

MOUSER STOCK NO.	Fig.	Output	Colors	Op. Temperature Range (TA) (°C)	Voltage Range (V)	Price Each			
						1	10	100	500
856-TCS3200D-TR	C	4-Ch Light to Freq.	RGB, Clear	-40 to 85	2.7 to 5.5	3.20	2.65	2.26	1.87
856-TCS3210D-TR	C	4-Ch Light to Freq.	RGB, Clear	-40 to 85	2.7 to 5.5	3.20	2.57	2.11	1.90
856-TCS3414CS	F	16-bit Digital	RGB, Clear	-40 to 85	2.7 to 3.6	3.30	2.25	2.17	2.15
856-TCS3414FN	E	16-bit Digital	RGB, Clear	-30 to 70	2.7 to 3.6	3.38	2.72	2.23	2.00
856-TCS34717FN	E	16-bit Digital	RGB, Clear	-30 to 70	2.7 to 3.6	2.55	2.06	1.65	1.44
856-TCS3103FN	I	3-Ch Light to Voltage	RGB, Clear	-30 to 70	4.5 to 5.5	1.65	1.33	1.07	.934
856-TCS3104FN	I	3-Ch Light to Voltage	RGB, Clear	-30 to 70	4.5 to 5.5	1.65	1.33	1.07	.934

LINEAR SENSOR ARRAYS

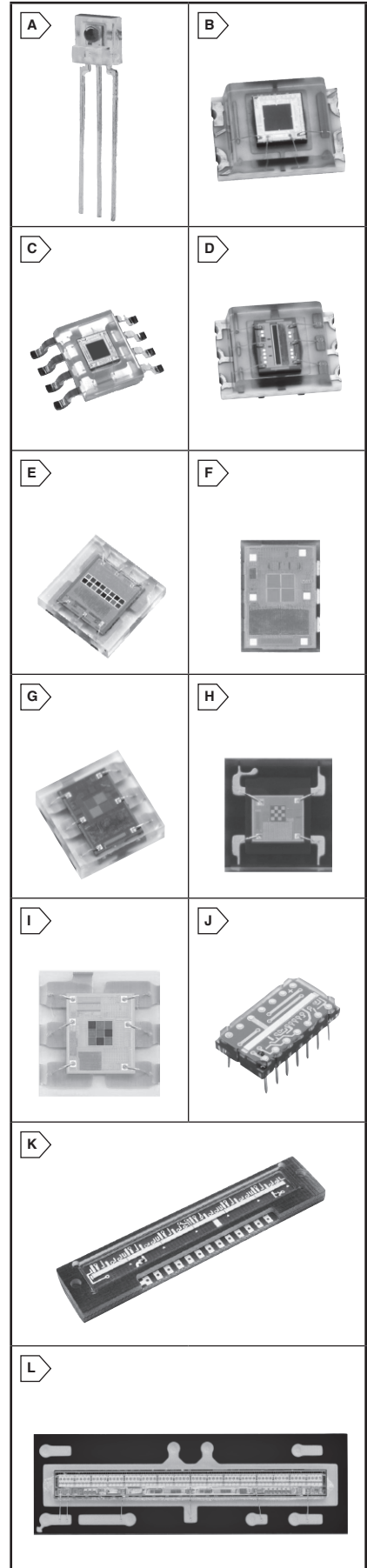
For quantities greater than listed, call for quote.

MOUSER STOCK NO.	Fig.	DPI	Pixels	Active Length (mm)	Max Clock Speed (MHz)	Price Each			
						1	10	100	500
856-TSL1402R	J	400	256	-	8	14.68	13.35	11.34	9.68
856-TSL202R	J	200	128	-	5	14.39	13.09	11.12	9.49
856-TSL1406R	K	400	768	2.08	8	24.89	21.78	19.60	17.11
856-TSL1406RS	K	400	768	2.08	8	24.90	21.79	19.61	17.12
856-TSL1410R	K	400	1280	3.58	8	36.67	32.09	28.88	25.21
856-TSL1412S	K	400	1536	3.59	8	43.36	37.94	34.14	29.81
856-TSL1401CL	L	400	128	8.064	8	6.34	5.20	4.69	3.93
856-TSL3301CL	L	300	102	8.573	1	7.15	5.87	5.30	4.44

EVALUATION BOARDS (EVM)

For quantities greater than listed, call for quote.

MOUSER STOCK NO.	Description	Price Each
856-TCS3200EVM	Evaluation system for TCS230 color sensor, consists of a lens module, white LED illuminator	162.50
856-LTFEVM	Evaluation system for Light to Frequency Module	137.50



AVAGO Optocouplers



This page of product is RoHS compliant.



Opto Components

Avago

OPTOCOUPLERS

For quantities greater than listed, call for quote.

MOUSER STOCK NO.	Avago Part No.	Number of Channels	Package	Forward on Current (mA)	Total Power Dissipation (mW)	Isolation Voltage (V _{RMS})	Price Each		
							1	10	100
630-4N25-000E	4N25-000E	-	DIP-6	80	250	2500	.53	.431	.221
630-4N46-000E	4N46-000E	-	DIP-6	20	100	3750	2.90	2.18	1.76
630-6N136-000E	6N136-000E	1	DIP-8	8	100	3750	1.80	1.20	.964
630-6N136-300E	6N136-300E	1	SO-8	8	100	3750	1.63	1.15	.905
630-6N137-000E	6N137-000E	1	DIP-8	15	85	3750	1.73	1.23	.963
630-ACNV3130-000E	ACNV3130-000E	1	DIP-10	16	745	7500	6.42	5.77	3.96
630-ACPL-021L-000E	ACPL-021L-000E	1	SO-5	8	600	3750	2.26	1.60	1.25
630-ACPL-054L-000E	ACPL-054L-000E	2	SO-8	3	36	3750	4.04	3.03	2.45
630-ACPL-054L-060E	ACPL-054L-060E	2	SO-8	3	36	3750	4.10	3.07	2.49
630-ACPL-061L-000E	ACPL-061L-000E	1	SO-8	8	20	3750	2.43	1.72	1.34
630-ACPL-061L-060E	ACPL-061L-060E	1	SO-8	8	20	3750	2.50	1.77	1.38
630-ACPL-32JT-000E	ACPL-32JT-000E	1	SOIC-16	-	580	5000	11.53	10.37	7.11
630-ACPL-336J-000E	ACPL-336J-000E	1	SO-16	20	600	5000	7.49	6.74	4.62
630-ACPL-337J-000E	ACPL-337J-000E	1	SO-16	20	600	5000	7.75	6.98	4.78
630-ACPL-34JT-000E	ACPL-34JT-000E	1	SO-16	20	580	5000	10.21	9.19	6.30
630-ACPL-C790-000E	ACPL-C790-000E	2	SSO-8	230	600	5000	6.58	5.29	4.48
630-ACPL-C79A-000E	ACPL-C79A-000E	2	SSO-8	230	600	5000	7.04	6.44	5.27
630-ACPL-C79B-000E	ACPL-C79B-000E	2	SSO-8	230	600	5000	8.80	8.05	6.59
630-ACPL-C870-000E	ACPL-C870-000E	1	SO-8	15	600	5000	5.98	4.81	4.07
630-ACPL-C87A-000E	ACPL-C87A-000E	1	SO-8	15	600	5000	6.03	5.52	4.52
630-ACPL-C87B-000E	ACPL-C87B-000E	1	SO-8	15	600	5000	7.54	6.90	5.64
630-ACPL-H342-000E	ACPL-H342-000E	1	SO-8	7	255	3750	2.99	2.24	1.81
630-ACPL-H342-060E	ACPL-H342-060E	1	SO-8	7	255	3570	3.05	2.29	1.85
630-ACPL-K342-000E	ACPL-K342-000E	1	SO-8	7	255	5000	3.29	2.47	2.00
630-ACPL-K342-060E	ACPL-K342-060E	1	SO-8	7	255	5000	3.35	2.51	2.03
630-ACPL-K34T-500E	ACPL-K34T-500E	1	SO-8	20	550	5000	4.79	3.59	2.91
630-ACPL-K34T-560E	ACPL-K34T-560E	1	SO-8	20	550	5000	4.85	3.63	2.94
630-ACPL-M21L-000E	ACPL-M21L-000E	1	SO-5	8	600	3750	2.26	1.60	1.25
630-ACPL-M21L-060E	ACPL-M21L-060E	1	SO-5	8	600	3750	2.33	1.64	1.29
630-ACPL-M49T-000E	ACPL-M49T-000E	1	SO-5	40	100	3750	3.29	2.47	2.00
630-ACPL-M49U-000E	ACPL-M49U-000E	1	SO-5	20	30	3750	2.92	2.06	1.61
630-ACPL-M61L-000E	ACPL-M61L-000E	1	SO-5	8	600	3750	2.43	1.72	1.34
630-ACPL-M61L-060E	ACPL-M61L-060E	1	SO-5	8	600	3750	2.50	1.77	1.38
630-ACPL-M71U-000E	ACPL-M71U-000E	1	SOIC-5	20	40	3750	4.19	3.14	2.54
630-ACPL-W61L-000E	ACPL-W61L-000E	1	SSO-6	8	20	5000	3.13	2.21	1.73
630-ACPL-W61L-060E	ACPL-W61L-060E	1	SSO-6	8	20	5000	3.19	2.26	1.77
630-ACPL-071L-000E	ACPL-071L-000E	1	SO-8	9	-	3750	3.74	2.81	2.27
630-ACPL-072L-000E	ACPL-072L-000E	1	SO-8	10	150	3750	4.79	3.59	2.91
630-ACPL-38JT-500E	ACPL-38JT-500E	2	SO-16	2.5	600	1230	8.93	8.04	5.51
630-ACPL-782T-000E	ACPL-782T-000E	1	DIP-8	16	600	3750	10.98	9.96	8.38
630-ACPL-C784-000E	ACPL-C784-000E	1	Stretched SO-8	11	600	5000	7.29	6.67	5.46
630-ACPL-C78A-000E	ACPL-C78A-000E	1	Stretched SO-8	11	600	5000	12.41	11.26	9.48
630-ACPL-K73L-000E	ACPL-K73L-000E	2	Stretched SO-8	10	600	5000	6.42	5.77	3.96
630-ACPL-M75L-000E	ACPL-M75L-000E	1	SO-5	4	-	3750	3.89	2.92	2.36
630-ACPL-M62L-060E	ACPL-M62L-060E	1	SO-5	10	20	3750	2.50	1.77	1.38
630-ACPL-M62L-000E	ACPL-M62L-000E	1	SO-5	10	20	3750	2.43	1.72	1.34
630-ACPL-P340-000E	ACPL-P340-000E	1	Stretched SO-6	25	700	3750	3.13	2.21	1.73
630-ACPL-P340-060E	ACPL-P340-060E	1	Stretched SO-6	25	700	3750	3.19	2.26	1.77
630-ACPL-P341-000E	ACPL-P341-000E	1	Stretched SO-6	25	700	3750	2.99	2.24	1.81
630-ACPL-P341-060E	ACPL-P341-060E	1	Stretched SO-6	25	700	3750	3.05	2.29	1.85
630-ACPL-P343-000E	ACPL-P343-000E	1	Stretched SO-6	25	700	3750	3.59	2.69	2.18
630-ACPL-W340-000E	ACPL-W340-000E	1	Stretched SO-6	25	700	5000	2.84	2.13	1.72
630-ACPL-W341-000E	ACPL-W341-000E	1	Stretched SO-6	25	700	5000	3.29	2.47	2.00
630-ACPL-W341-060E	ACPL-W341-060E	1	Stretched SO-6	25	700	5000	3.35	2.51	2.03
630-ACPL-W343-000E	ACPL-W343-000E	1	Stretched SO-6	25	700	5000	3.89	2.92	2.36
630-ACPL-W343-060E	ACPL-W343-060E	1	Stretched SO-6	25	700	5000	3.95	2.96	2.40
630-ACPL-W345-060E	ACPL-W345-060E	1	Stretched SO-6	4	550	5000	3.35	2.51	2.03
630-ACPL-W345-000E	ACPL-W345-000E	1	Stretched SO-6	4	550	5000	3.29	2.47	2.00
630-ACPL-W346-060E	ACPL-W346-060E	1	Stretched SO-6	4	550	5000	3.95	2.96	2.40
630-ACPL-W346-000E	ACPL-W346-000E	1	Stretched SO-6	4	550	5000	3.89	2.92	2.36
630-ACPL-P345-060E	ACPL-P345-060E	1	Stretched SO-6	4	550	3750	3.05	2.29	1.85
630-ACPL-P345-000E	ACPL-P345-000E	1	Stretched SO-6	4	550	3750	2.99	2.24	1.81
630-ACPL-P346-060E	ACPL-P346-060E	1	Stretched SO-6	4	550	3750	3.65	2.74	2.21
630-ACPL-P346-000E	ACPL-P346-000E	1	Stretched SO-6	4	550	3750	3.59	2.69	2.18
630-ACSL-6210-00RE	ACSL-6210-00RE	2	SO-8	2.7	60	2500	4.19	3.14	2.54
630-ACSL-6400-00TE	ACSL-6400-00TE	4	SO-16	2.7	60	2500	7.49	6.74	4.62
630-ACSL-7210-00RE	ACSL-7210-00RE	2	SO-8	75	72	3750	5.54	4.15	3.36
630-ACSL-7210-06RE	ACSL-7210-06RE	2	SO-8	75	72	3750	5.60	4.20	3.40
630-CNY17-3-000E	CNY17-3-000E	1	DIP-6	0.3	250	5000	.53	.431	.221
630-CNY17-4-000E	CNY17-4-000E	1	DIP-6	0.3	250	5000	.53	.431	.221
630-HCNR200-000E	HCNR200-000E	1	DIP-8	25	60	1414	3.98	2.98	2.41
630-HCNR200-300E	HCNR200-300E	1	SO-8	25	60	1414	4.04	3.03	2.45
630-HCNR201-000E	HCNR201-000E	1	DIP-8	25	60	1414	5.30	3.97	3.22
630-HCNR201-300E	HCNR201-300E	1	SO-8	25	60	1414	5.36	4.02	3.25
630-HCNW136-000E	HCNW136-000E	1	DIP-8	16	700	5000	2.78	1.96	1.54
630-HCNW139-300E	HCNW139-300E	1	SO-8	0.4	700	5000	3.26	2.44	1.98
630-HCNW2211-300E	HCNW2211-300E	1	SO-8	1.6	600	5000	4.25	3.19	2.58
630-HCNW2611-000E	HCNW2611-000E	1	DIP-8	1.6	600	5000	4.34	3.25	2.63
630-HCNW2611-300E	HCNW2611-300E	1	SO-8	1.6	600	5000	4.40	3.30	2.67
630-HCNW3120-000E	HCNW3120-000E	1	DIP-8	10	700	5000	4.64	3.48	2.81
630-HCNW4502-000E	HCNW4502-000E	1	DIP-8	16	700	5000	2.78	1.96	1.54
630-HCNW4503-000E	HCNW4503-000E	1	DIP-8	16	700	5000	3.20	2.40	1.94
630-HCNW4503-300E	HCNW4503-300E	1	SO-8	16	700	5000	3.26	2.44	1.98
630-HCNW4504-300E	HCNW4504-300E	1	DIP-8	12	100	5000	3.62	2.71	2.20
630-HCNW4506-300E	HCNW4506-300E	1	SO-8	10	145	3750	3.71	2.78	2.25
630-HCPL-0201-000E	HCPL-0201-000E	1	DIP-8	1.6	600	3750	3.53	2.65	2.14
630-HCPL-0201-500E	HCPL-0201-500E	1	SO-8	1.6	600	3750	3.59	2.69	2.18
630-HCPL-0211-000E	HCPL-0211-000E	1	DIP-8	1.6	600	3750	4.07	3.05	2.47
630-HCPL-0211-500E	HCPL-0211-500E	1	SO-8	1.6	600	3750	4.13	3.10	2.51
630-HCPL-0314-000E	HCPL-0314-000E	1	SO-8	8	400	3750	2.60	1.84	1.44
630-HCPL-0370-000E	HCPL-0370-000E	1	SO-8	50	275	3750	4.28	3.21	2.60
630-HCPL-0453-000E	HCPL-0453-000E	1	SO-8	16	600	3750	2.85	2.01	1.57
630-HCPL-0454-000E	HCPL-0454-000E	1	SO-8	16	600	3750	3.19	2.26	1.77
630-HCPL-0500-000E	HCPL-0500-000E	1	SO-8	16	600	3750	1.80	1.27	1.00

OPTOCOUPLEDERS (CONT.)

For quantities greater than listed, call for quote.

MOUSER STOCK NO.	Avago Part No.	Number of Channels	Package	Forward on Current (mA)	Total Power Dissipation (mW)	Isolation Voltage (VRMS)	Price Each		
							1	10	100
630-HCPL-0501-000E	HCPL-0501-000E	1	SO-8	16	600	3750	2.01	1.42	1.11
630-HCPL-0501-500E	HCPL-0501-500E	1	SO-8	16	600	3750	2.08	1.47	1.15
630-HCPL-0530-000E	HCPL-0530-000E	2	SO-8	16	600	3750	4.04	3.03	2.45
630-HCPL-0531-000E	HCPL-0531-000E	2	SO-8	16	600	3750	4.19	3.14	2.54
630-HCPL-053L-000E	HCPL-053L-000E	2	SO-8	16	600	3750	4.55	3.41	2.76
630-HCPL-0600-000E	HCPL-0600-000E	1	SO-8	5	600	3750	2.43	1.72	1.34
630-HCPL-0600-500E	HCPL-0600-500E	1	SO-8	5	600	3750	2.50	1.77	1.38
630-HCPL-0601-000E	HCPL-0601-000E	1	SO-8	5	600	3750	2.43	1.72	1.34
630-HCPL-0601-500E	HCPL-0601-500E	1	SO-8	5	600	3750	2.50	1.77	1.38
630-HCPL-060L-000E	HCPL-060L-000E	1	SO-8	5	600	3750	2.78	1.96	1.54
630-HCPL-0611-000E	HCPL-0611-000E	1	SO-8	5	600	3750	3.13	2.21	1.73
630-HCPL-0611-500E	HCPL-0611-500E	1	SO-8	5	600	3750	3.19	2.26	1.77
630-HCPL-061N-000E	HCPL-061N-000E	1	SO-8	3	600	3750	3.29	2.47	2.00
630-HCPL-0630-000E	HCPL-0630-000E	2	SO-8	5	600	3750	5.45	4.08	3.31
630-HCPL-0630-500E	HCPL-0630-500E	2	SO-8	5	600	3750	5.51	4.13	3.34
630-HCPL-0631-000E	HCPL-0631-000E	2	SO-8	5	600	3750	5.45	4.08	3.31
630-HCPL-0631-500E	HCPL-0631-500E	2	SO-8	5	600	3750	5.51	4.13	3.34
630-HCPL-063A-000E	HCPL-063A-000E	2	SO-8	3	600	3750	6.28	5.65	3.88
630-HCPL-063L-000E	HCPL-063L-000E	2	SO-8	5	600	3750	5.99	4.49	3.63
630-HCPL-0661-000E	HCPL-0661-000E	2	SO-8	5	600	3750	8.02	7.22	4.95
630-HCPL-0700-000E	HCPL-0700-000E	1	SO-8	0.5	700	3750	2.05	1.45	1.13
630-HCPL-0701-000E	HCPL-0701-000E	1	SO-8	0.5	700	3750	2.29	1.62	1.27
630-HCPL-0701-500E	HCPL-0701-500E	1	SO-8	0.5	700	3750	2.36	1.67	1.31
630-HCPL-070A-000E	HCPL-070A-000E	1	SO-8	10	600	3750	3.83	2.87	2.32
630-HCPL-0710-000E	HCPL-0710-000E	1	SO-8	150	600	3750	5.69	4.26	3.45
630-HCPL-0710-500E	HCPL-0710-500E	1	SO-8	150	600	3750	5.75	4.31	3.49
630-HCPL-0720-000E	HCPL-0720-000E	1	SO-8	150	600	3750	6.29	4.71	3.82
630-HCPL-0721-000E	HCPL-0721-000E	1	SO-8	150	600	3750	6.89	5.16	4.18
630-HCPL-0723-000E	HCPL-0723-000E	1	SO-8	150	600	3750	6.74	6.06	4.15
630-HCPL-0731-000E	HCPL-0731-000E	2	SO-8	0.5	135	3750	4.97	3.73	3.01
630-HCPL-0731-500E	HCPL-0731-500E	2	SO-8	0.5	135	3750	5.03	3.77	3.05
630-HCPL-0738-000E	HCPL-0738-000E	2	SO-8	-	-	3750	7.49	6.74	4.62
630-HCPL-073L-000E	HCPL-073L-000E	2	SO-8	230	600	3750	4.64	3.48	2.81
630-HCPL-181-000E	HCPL-181-000E	1	SO-4	0.2	170	3750	.57	.383	.254
630-HCPL-2200-000E	HCPL-2200-000E	1	DIP-8	1.6	600	3750	3.32	2.49	2.02
630-HCPL-2201-000E	HCPL-2201-000E	1	DIP-8	1.6	600	3750	3.23	2.42	1.96
630-HCPL-2202-000E	HCPL-2202-000E	1	DIP-8	1.6	600	3750	3.23	2.42	1.96
630-HCPL-2211-000E	HCPL-2211-000E	1	DIP-8	1.6	600	3750	3.65	2.74	2.21
630-HCPL-2212-000E	HCPL-2212-000E	1	DIP-8	1.6	600	3750	3.65	2.74	2.21
630-HCPL-2231-000E	HCPL-2231-000E	2	DIP-8	1.8	600	3750	7.54	6.78	4.65
630-HCPL-2231-300E	HCPL-2231-300E	2	DIP-8	1.8	600	3750	7.59	6.83	4.68
630-HCPL-2232-000E	HCPL-2232-000E	2	DIP-8	1.8	600	3750	9.76	8.78	6.02
630-HCPL-2300-000E	HCPL-2300-000E	1	DIP-8	4	600	3750	6.92	5.19	4.20
630-HCPL-2300-300E	HCPL-2300-300E	1	DIP-8	4	600	3750	6.98	5.23	4.23
630-HCPL-2400-000E	HCPL-2400-000E	1	DIP-8	4	600	3750	6.35	4.76	3.85
630-HCPL-2430-000E	HCPL-2430-000E	2	DIP-8	4	600	3750	11.45	10.27	7.70
630-HCPL-2430-300E	HCPL-2430-300E	2	SO-8	4	600	3750	11.50	10.31	7.73
630-HCPL-2502-000E	HCPL-2502-000E	1	DIP-8	25	600	3750	2.43	1.72	1.34
630-HCPL-2530-000E	HCPL-2530-000E	2	DIP-8	16	600	3750	2.92	2.06	1.61
630-HCPL-2531-000E	HCPL-2531-000E	2	DIP-8	16	600	3750	3.06	2.16	1.69
630-HCPL-2531-300E	HCPL-2531-300E	2	DIP-8	16	600	3750	3.13	2.21	1.73
630-HCPL-2601-000E	HCPL-2601-000E	1	DIP-8	5	600	3750	2.33	1.64	1.29
630-HCPL-2601-300E	HCPL-2601-300E	1	DIP-8	5	600	3750	2.39	1.69	1.32
630-HCPL-2602-000E	HCPL-2602-000E	1	DIP-8	5	600	3750	6.79	6.11	4.19
630-HCPL-2611-000E	HCPL-2611-000E	1	DIP-8	5	600	3750	2.60	1.84	1.44
630-HCPL-2630-000E	HCPL-2630-000E	2	DIP-8	5	600	3750	3.74	2.81	2.27
630-HCPL-2630-300E	HCPL-2630-300E	2	DIP-8	5	600	3750	3.80	2.85	2.31
630-HCPL-2631-000E	HCPL-2631-000E	2	DIP-8	5	600	3750	4.04	3.03	2.45
630-HCPL-2631-300E	HCPL-2631-300E	2	DIP-8	5	600	3750	4.10	3.07	2.49
630-HCPL-263L-000E	HCPL-263L-000E	2	DIP-8	5	600	3750	4.79	3.59	2.91
630-HCPL-263N-000E	HCPL-263N-000E	2	DIP-8	3	600	3750	6.71	5.03	4.07
630-HCPL-2730-000E	HCPL-2730-000E	2	DIP-8	0.5	135	3750	3.14	2.36	1.91
630-HCPL-2731-000E	HCPL-2731-000E	2	DIP-8	0.5	135	3750	3.29	2.47	2.00
630-HCPL-3120-000E	HCPL-3120-000E	1	DIP-8	7	295	5000	2.93	2.20	1.78
630-HCPL-3120-300E	HCPL-3120-300E	1	SO-8	7	295	5000	2.99	2.24	1.81
630-HCPL-3120-500E	HCPL-3120-500E	1	SO-8	7	295	5000	2.99	2.24	1.81
630-HCPL-3140-000E	HCPL-3140-000E	1	DIP-8	8	600	3750	2.50	1.77	1.38
630-HCPL-314J-000E	HCPL-314J-000E	2	SO-16	8	1200	3750	3.59	2.69	2.18
630-HCPL-3150-000E	HCPL-3150-000E	1	DIP-8	7	600	3750	3.23	2.42	1.96
630-HCPL-3150-500E	HCPL-3150-500E	1	DIP-8	7	600	3750	3.29	2.47	2.00
630-HCPL-316J-000E	HCPL-316J-000E	1	SO-16	25	1200	3750	7.11	6.40	4.39
630-HCPL-316J-500E	HCPL-316J-500E	1	SO-16	25	1200	3750	7.17	6.45	4.42
630-HCPL-3180-000E	HCPL-3180-000E	1	DIP-8	10	600	3750	3.74	2.81	2.27
630-HCPL-3180-300E	HCPL-3180-300E	1	SO-8	10	600	3750	3.80	2.85	2.31
630-HCPL-3700-000E	HCPL-3700-000E	1	DIP-8	50	210	3750	4.25	3.19	2.58
630-HCPL-3700-300E	HCPL-3700-300E	1	DIP-8	50	210	3750	4.31	3.23	2.62
630-HCPL-3760-000E	HCPL-3760-000E	1	DIP-8	50	210	3750	6.84	6.16	4.22
630-HCPL-4100-000E	HCPL-4100-000E	1	DIP-8	7	360	3750	8.02	7.22	4.95
630-HCPL-4200-000E	HCPL-4200-000E	1	DIP-8	30	255	3750	8.02	7.22	4.95
630-HCPL-4502-000E	HCPL-4502-000E	1	DIP-8	16	600	3750	1.70	1.20	.943
630-HCPL-4503-000E	HCPL-4503-000E	1	DIP-8	16	600	3750	2.60	1.84	1.44
630-HCPL-4504-000E	HCPL-4504-000E	1	DIP-8	12	600	3750	2.92	2.06	1.61
630-HCPL-4506-000E	HCPL-4506-000E	1	DIP-8	10	600	3750	3.23	2.28	1.79
630-HCPL-4562-000E	HCPL-4562-000E	1	DIP-8	12	700	3750	3.08	2.31	1.87
630-HCPL-7710-000E	HCPL-7710-000E	1	DIP-8	10	600	3750	5.39	4.04	3.27
630-HCPL-7720-000E	HCPL-7720-000E	1	DIP-8	10	600	3750	5.99	4.49	3.63
630-HCPL-7721-000E	HCPL-7721-000E	1	DIP-8	10	600	3750	6.59	4.94	4.00
630-HCPL-817-000E	HCPL-817-000E	1	DIP-4	50	200	5000	.48	.386	.198
630-HCPL-M600-000E	HCPL-M600-000E	1	SO-5	5	85	3750	2.60	1.84	1.44
630-HCPL-M611-000E	HCPL-M611-000E	1	SO-5	5	85	3750	2.84	2.13	1.72

AVAGO Fiber Optics

Products may be RoHS compliant. Check mouser.com for RoHS status.



Opto Components

Avago

FIBER OPTICS

Avago Technologies is the world's leading provider of fiber optic transmitters, receivers and transceivers for Networking and Storage solutions. Avago Technologies offers unmatched quality with high-volume, low-cost manufacturing techniques. Fiber Optic Components for Industrial, Automotive and Consumer Applications

Optical Transmitters

Optical transmitters use either a light emitting diode (LED) or the laser diode as the light source. These devices are packaged in plastic housings and support various common connector types.

For quantities greater than listed, call for quote.

MOUSER STOCK NO.	Avago Part No.	Connector/Package	Data Rate	Reach		Operating Wavelength	Price Each		
				POF	HCS		1	10	100
630-HFBR-1119TZ	HFBR-1119TZ	ST	266MbD	1500m	---	1300nm	65.91	59.85	54.78
630-HFBR-1312TZ	HFBR-1312TZ	ST	155MbD	5km	---	1300nm	46.80	42.80	38.11
630-HFBR-1402Z	HFBR-1402Z	SMA	5MbD	1500m	---	820nm	20.53	18.40	13.80
630-HFBR-1404Z	HFBR-1404Z	SMA	160MbD	500m	---	820nm	20.53	18.40	13.80
630-HFBR-1412Z	HFBR-1412Z	ST	5MbD	1500m	---	820nm	20.53	18.40	13.80
630-HFBR-1412PZ	HFBR-1412PZ	ST	16MbD	850nm	200µm	820nm	20.53	18.40	13.80
630-HFBR-1412TZ	HFBR-1412TZ	ST	5MbD	1500m	---	820nm	20.53	18.40	13.80
630-HFBR-1412TMZ	HFBR-1412TMZ	ST	5MbD	1500m	---	820nm	20.53	18.40	13.80
630-HFBR-1414PTZ	HFBR-1414PTZ	ST	16MbD	850nm	200µm	820nm	20.53	18.40	13.80
630-HFBR-1414PZ	HFBR-1414PZ	ST	16MbD	850nm	200µm	820nm	20.53	18.40	13.80
630-HFBR-1414Z	HFBR-1414Z	ST	160MbD	500m	---	820nm	20.53	18.40	13.80
630-HFBR-1414TZ	HFBR-1414TZ	ST	160MbD	500m	---	820nm	20.53	18.40	13.80
630-HFBR-1505AZ	HFBR-1505AZ	SMA, ST	DC-10MbD	40m	200m	650nm	15.75	14.12	10.59
630-HFBR-1521Z	HFBR-1521Z	Versatile Link	DC-5MbD	20m	---	650nm	11.77	10.59	7.26
630-HFBR-1521ETZ	HFBR-1521ETZ	Versatile Link	DC-5MbD	20m	---	660nm	12.07	10.82	8.12
630-HFBR-1522Z	HFBR-1522Z	Versatile Link	DC-1MbD	45m	---	660nm	11.77	10.59	7.26
630-HFBR-1522ETZ	HFBR-1522ETZ	Versatile Link	DC-1MbD	20m	---	660nm	12.07	10.82	8.12
630-HFBR-1523Z	HFBR-1523Z	Versatile Link	DC-40kBD	110m	---	660nm	11.77	10.59	7.26
630-HFBR-1524Z	HFBR-1524Z	Versatile Link	DC-1MbD	10m	---	660nm	11.77	10.59	7.26
630-HFBR-1527Z	HFBR-1527Z	Versatile Link	DC-125MbD	27m	125m	660nm	12.07	10.82	8.12
630-HFBR-1528Z	HFBR-1528Z	Versatile Link	DC-10MbD	40m	300m	650nm	12.07	10.82	8.12
630-AFBR-1529Z	AFBR-1529Z	Versatile Link	10MbD	50m	---	650nm	12.60	11.30	8.47
630-HFBR-1531Z	HFBR-1531Z	Versatile Link	DC-5MbD	20m	---	660nm	12.60	11.30	8.47
630-HFBR-1532Z	HFBR-1532Z	Versatile Link	DC-1MbD	45m	---	660nm	12.60	11.30	8.47
630-HFBR-1602Z	HFBR-1602Z	SMA	DC-2MbD	20m	---	655nm	20.53	18.40	13.80
630-AFBR-1624Z	AFBR-1624Z	Versatile Link	50MbD	50m	---	650nm	17.45	15.64	11.73
630-AFBR-1629Z	AFBR-1629Z	Versatile Link	50MbD	50m	---	650nm	17.45	15.64	11.73
630-AFBR-1644Z	AFBR-1644Z	Versatile Link	DC-50MbD	50m	---	685nm	19.63	17.60	13.19

Optical Receivers

The PIN optical receiver converts the modulated light coming from the optical fiber back into a replica of the original signal applied to the transmitter.

For quantities greater than listed, call for quote.

MOUSER STOCK NO.	Avago Part No.	Connector/Package	Data Rate	Reach	HCS	Operating Wavelength	Price Each		
							1	10	100
630-AFBR-2408Z	AFBR-2408Z	SMA	50MbD	62.5	-	865nm	21.40	18.72	15.24
630-AFBR-2409Z	AFBR-2409Z	SMA	20MbD	63.5	-	865nm	21.40	18.72	15.24
630-AFBR-2418MZ	AFBR-2418MZ	ST	50MbD	64.5	-	865nm	23.54	20.59	16.77
630-AFBR-2418TZ	AFBR-2418TZ	ST	50MbD	65.5	-	865nm	21.40	18.72	15.24
630-AFBR-2418Z	AFBR-2418Z	ST	50MbD	66.5	-	865nm	21.40	18.72	15.24
630-HFBR-2119TZ	HFBR-2119TZ	ST	266MbD	1500m	---	1300nm	65.91	59.85	54.78
630-HFBR-2316TZ	HFBR-2316TZ	ST	155MbD	5km	---	1300nm	46.80	42.80	38.11
630-HFBR-2402Z	HFBR-2402Z	SMA	5MbD	1500m	---	820nm	20.53	18.40	13.80
630-HFBR-2412Z	HFBR-2412Z	ST	5MbD	1500m	---	820nm	20.53	18.40	13.80
630-HFBR-2412TZ	HFBR-2412TZ	ST	5MbD	1500m	---	820nm	20.53	18.40	13.80
630-HFBR-2412TCZ	HFBR-2412TCZ	ST	5MbD	1500m	---	820nm	20.53	18.40	13.80
630-HFBR-2416Z	HFBR-2416Z	ST	160MbD	500m	---	820nm	20.53	18.40	13.80
630-HFBR-2416MZ	HFBR-2416MZ	ST	160MbD	500m	---	820nm	20.24	17.71	14.42
630-HFBR-2416TZ	HFBR-2416TZ	ST	160MbD	500m	---	820nm	20.53	18.40	13.80
630-HFBR-2416TCZ	HFBR-2416TCZ	ST	160MbD	500m	---	820nm	20.53	18.40	13.80
630-HFBR-2505AZ	HFBR-2505AZ	SMA, ST	DC-10MbD	40m	200m	650nm	18.90	16.94	12.71
630-HFBR-2515BZ	HFBR-2515BZ	SMA, ST	DC-10MbD	40m	200m	650nm	18.90	16.94	12.71
630-HFBR-2521Z	HFBR-2521Z	Versatile Link	DC-5MbD	20m	---	660nm	11.77	10.59	7.26
630-HFBR-2521ETZ	HFBR-2521ETZ	Versatile Link	DC-5MbD	20m	---	660nm	12.07	10.82	8.12
630-HFBR-2522Z	HFBR-2522Z	Versatile Link	DC-1MbD	45m	---	660nm	11.77	10.59	7.26
630-HFBR-2522ETZ	HFBR-2522ETZ	Versatile Link	DC-1MbD	20m	---	660nm	12.07	10.82	8.12
630-HFBR-2523Z	HFBR-2523Z	Versatile Link	DC-40kBD	110m	---	660nm	11.77	10.59	7.26
630-HFBR-2524Z	HFBR-2524Z	Versatile Link	DC-1MbD	10m	---	660nm	11.77	10.59	7.26
630-HFBR-2528Z	HFBR-2528Z	Versatile Link	DC-10MbD	40m	300m	650nm	21.74	19.49	14.61
630-AFBR-2529Z	AFBR-2529Z	Versatile Link	50MbD	50m	---	650nm	18.90	16.94	12.71
630-HFBR-2531Z	HFBR-2531Z	Versatile Link	DC-5MbD	20m	---	660nm	12.60	11.30	8.47
630-HFBR-2532Z	HFBR-2532Z	Versatile Link	DC-1MbD	45m	---	660nm	12.60	11.30	8.47
630-HFBR-2602Z	HFBR-2602Z	SMA	DC-2MbD	20m	---	655nm	17.90	16.05	12.03
630-AFBR-2624Z	AFBR-2624Z	Versatile Link	50MbD	50m	---	650nm	18.90	16.94	12.71
630-AFBR-2644Z	AFBR-2644Z	Versatile Link	DC-50MbD	50m	---	685nm	21.27	19.06	14.30

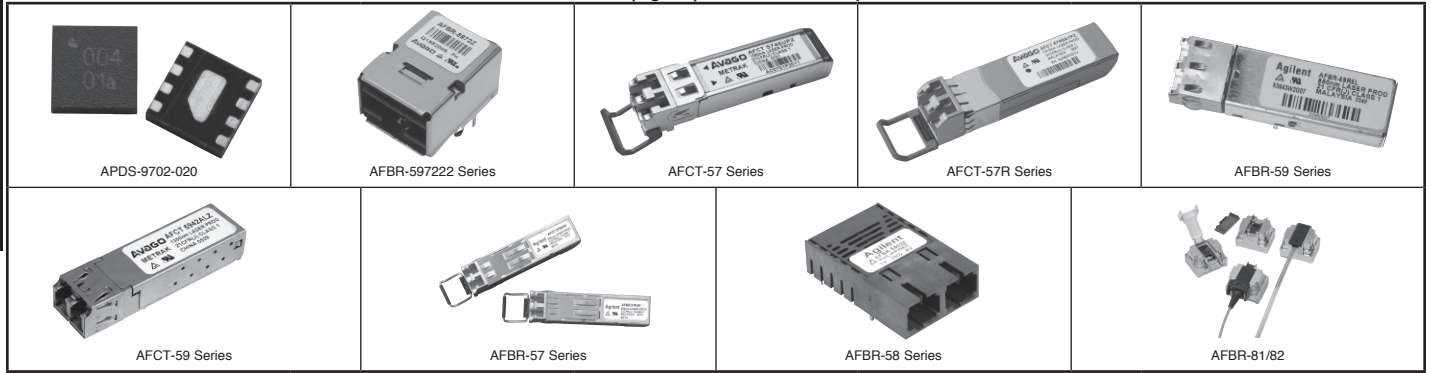
Fiber Optic - Hardware and Accessories

For quantities greater than listed, call for quote.

MOUSER STOCK NO.	Avago Part No.	Description	Price Each		
			1	10	100
630-HFBR-4401Z	HFBR-4401Z	HEX-NUT/ Washer for SMA Ports 1/4 - 36 UNEF -2B Thread	34.24	29.96	24.39
630-HFBR-4402Z	HFBR-4402Z	SMA Port Caps	70.19	63.74	58.34
630-HFBR-4501Z	HFBR-4501Z	Snap-in FO Link Connector TX	1.20	.803	.642
630-HFBR-4503Z	HFBR-4503Z	Plastic Fiber Connector - Gray Simplex Latching with Crimp Ring	1.04	.695	.556
630-HFBR-4505Z	HFBR-4505Z	Plastic Fiber Connector - Gray Adapter (Bulkhead/Feedthrough)	1.80	1.20	.964
630-HFBR-4506Z	HFBR-4506Z	Plastic Fiber Connector - Parchment Duplex with Crimp Ring	1.77	1.25	.983
630-HFBR-4511Z	HFBR-4511Z	Plastic Fiber Connector - Blue Simplex Connector/Crimp Ring	1.20	.803	.642
630-HFBR-4513Z	HFBR-4513Z	Plastic Fiber Connector - Blue Simplex Latching with Crimp Ring	1.04	.695	.556
630-HFBR-4515Z	HFBR-4515Z	Plastic Fiber Connector - Blue Adapter (Bulkhead/Feedthrough)	1.80	1.20	.964
630-HFBR-4516Z	HFBR-4516Z	Plastic Fiber Connector - Gray Duplex with Crimp Ring	1.77	1.25	.983
630-HFBR-4531Z	HFBR-4531Z	Snap-in FO Crimpless Connector	1.04	.695	.556
630-HFBR-4532Z	HFBR-4532Z	Latching FO Crimpless Connector	1.04	.695	.556

AVAGO Sensors and Transceivers

RoHS Compliant This page of product is RoHS compliant.



Avago Technologies is the world's leading provider of fiber optic transmitters, receivers and transceivers for Networking and Storage solutions. Avago Technologies offers unmatched quality with high-volume, low-cost manufacturing techniques.

SIGNAL CONDITIONING IC OPTICAL PROXIMITY SENSORS WITH DIGITAL I²C INTERFACE

Features:

- Low power consumption
- Complete shutdown mode
- Supply voltage : 2.4V to 3.6V
- Operational in sunlight conditions up to 100klux (with HSDL-9100)
- Artificial light immunity
- Analog and Digital output available
- Wide bandwidth Trans-impedance amplifier

- External capacitor and resistor for integration and gain controls
- Flexibility to enhance detection distance up to 200mm with HSDL-9100 or further with external discrete pair
- Small 2mm x 2mm QFN 8-pin package
- Design flexibility to pair with Avago Proximity Sensors or discrete pair solution

Applications:

- PDA and mobile phones
- Digital Camera
- Portable and Handheld devices
- Personal Computers/Notebooks
- Amusement/Games/Vending Machines
- Industrial Automation
- Contactless Switches
- Sanitary Automation

For quantities greater than listed, call for quote.

MOUSER STOCK NO.	Avago Part No.	Package	Operating Freq. (GHz)	Supply Voltage	Supply Current (mA)	Price Each		
						1	10	100
630-APDS-9130	APDS-9130	SMD-8	0 - 0.0004	3	0.25	3.94	3.17	2.69
630-APDS-9930	APDS-9930	ChipLed-6	0 - 0.0004	2.5	0.6	4.18	3.37	2.85
630-APDS-9702-020	APDS-9702-020	QFN-8	1.5 - 2.3	5	50	2.98	2.40	1.92

FIBER OPTIC LINK MODULES

Avago Technologies is the leading supplier of fiber optic transceivers, with manufacturing and testing procedures that produce the industry's most reliable devices. Avago's broad portfolio of Ethernet, SONET and Fibre Channel transceivers supports all speeds and includes transmitters and receivers for industrial and automotive applications. The company's support and order fulfillment organizations provide unmatched service and delivery worldwide.

For quantities greater than listed, call for quote.

MOUSER STOCK NO.	Avago Part No.	Shield Option	Type	Wavelength	Signal Rate	Pulse Width Variation	Duty Cycle Distortion	Forward Current	Price Each		
									1	10	100
630-HFBR-3810Z	HFBR-3810Z	No	Class 1-laser	650nm	DC-10Mb/s	80-120ns	-10+10ns	60mA	20.51	18.38	13.78
630-HFBR-3810MSZ	HFBR-3810MSZ	Yes	Class 1-laser	650nm	DC-10Mb/s	80-120ns	-10+10ns	60mA	21.01	18.38	14.97

FIBER OPTIC TRANSCEIVERS

For quantities greater than listed, call for quote.

MOUSER STOCK NO.	Avago Part No.	Pkg.	Protocol Support	Media Type	Data Rate (Max.)	Reach	Operating Wavelength	Transmitter	Price Each			
									1	10	100	
630-AFBR-5803AZ	AFBR-5803AZ	1x9	Ethernet	Multi-mode	100Mb/s	2km	1310nm	LED	35.31	30.89	25.15	
630-AFBR-5803TZ	AFBR-5803TZ	1x9	Ethernet	Multi-mode	100Mb/s	2km	1310nm	LED	32.10	28.08	22.87	
630-AFBR-5803Z	AFBR-5803Z	1x9	Ethernet	Multi-mode	100Mb/s	2km	1310nm	LED	32.10	28.08	22.87	
630-AFBR-5805Z	AFBR-5805Z	1x9	SONET/SDH	Multi-mode	155Mb/s	2km	1310nm	LED	32.10	28.08	22.87	
630-AFBR-811FH1Z	AFBR-811FH1Z	1x12	Fibre Channel	Multi-Mode	10.3125Gb/s	150m	850nm	VCSEL	343.59	330.36	-	
630-AFBR-811FN1Z	AFBR-811FN1Z	1x12	Fibre Channel	Multi-Mode	10.3125Gb/s	150m	850nm	VCSEL	343.59	330.36	-	
630-AFBR-811RH1Z	AFBR-811RH1Z	1x12	Fibre Channel	Multi-Mode	10.3125Gb/s	150m	850nm	VCSEL	343.59	330.36	-	
630-AFBR-821FH1Z	AFBR-821FH1Z	1x12	Fibre Channel	Multi-Mode	10.3125Gb/s	150m	850nm	VCSEL	220.57	214.41	-	
630-AFBR-821FN1Z	AFBR-821FN1Z	1x12	Fibre Channel	Multi-Mode	10.3125Gb/s	150m	850nm	VCSEL	220.57	214.41	-	
630-AFBR-821RH1Z	AFBR-821RH1Z	1x12	Fibre Channel	Multi-Mode	10.3125Gb/s	150m	850nm	VCSEL	220.57	214.41	-	
630-AFBR-5710PZ	AFBR-5710PZ	SFP	Ethernet	Multi-mode	1Gb/s	550m	850nm	VCSEL	37.39	34.19	30.45	
630-AFBR-5715PZ	AFBR-5715PZ	SFP	Ethernet	Multi-mode	1Gb/s	550m	850nm	VCSEL	38.99	35.65	31.75	
630-AFCT-5715PZ	AFCT-5715PZ	SFP	Ethernet	Single-mode	1Gb/s	10km	1310nm	FP Laser	65.91	59.85	54.78	
630-AFBR-57R5AEZ	AFBR-57R5AEZ	SFP	Fibre Channel	Multi-mode	4.25Gb/s	150m	850nm	VCSEL	45.91	41.98	37.39	
630-AFBR-57R5APZ	AFBR-57R5APZ	SFP	Fibre Channel	Multi-mode	4.25Gb/s	150m	850nm	VCSEL	45.91	41.98	37.39	
630-AFBR-57R6AEZ	AFBR-57R6AEZ	SFP	Fibre Channel	Multi-mode	4.25Gb/s	150m	850nm	VCSEL	48.02	43.91	39.10	
630-AFBR-5972Z	AFBR-5972Z	-	Ethernet	Multi-mode	125Mb/s	-	650nm	LED	26.75	23.40	19.05	
630-AFBR-59E4APZ	AFBR-59E4APZ	2x5	Ethernet	Multi-mode	-	125µm	1308nm	LED	63.09	55.88	49.57	
Description												
630-AFBR-4526Z	AFBR-4526Z	Plastic optical fiber duplex connector for AFBR-5972Z								2.15	1.52	1.19

Opto Components

RoHS Compliant This page of product is RoHS compliant.

EVERLIGHT INFRARED EMITTING DIODES

For quantities greater than listed, call for quote.

MOUSER STOCK NO.	Package	Wavelength (nm)	Power (mW/sr)	Price Each			
				1	10	100	500
Surface Mount							
638-IR19-21C/L11	0603	850	0.2	.64	.408	.357	.267
638-IR17-21C	0805	940	0.2	.47	.30	.195	.105
638-IR11-21C	1206	940	0.5	.44	.218	.185	.104
638-IR15-21C/L10	1206	940	0.2	.42	.335	.213	.158
638-IR67-21C	PLCC-2	940	1.0	.42	.329	.21	.156
Thru-Hole							
638-IR204-A	T1	940	4	.39	.25	.162	.087
638-IR204/H16/L10	T1	940	2.8	.40	.26	.169	.091

For quantities greater than listed, call for quote.

MOUSER STOCK NO.	Package	Wavelength (nm)	Power (mW/sr)	Price Each			
				1	10	100	500
Thru-Hole (Cont.)							
638-SIR204-A	T1	875	4	.38	.302	.192	.143
638-IR204	T1	850	7.8	.51	.324	.283	.212
638-IR333-A	T1-3/4	940	7.8	.43	.28	.182	.098
638-SIR333-A	T1-3/4	875	7.8	.39	.309	.197	.146
638-IR333-A	T1/34	850	7.8	1.09	.697	.61	.457
638-IR908-7C	Side Look	940	0.14	.35	.28	.178	.132
638-IR928-6C	Side Look	940	0.14	.37	.296	.189	.14

EVERLIGHT PHOTOTRANSISTORS

For quantities greater than listed, call for quote.

MOUSER STOCK NO.	Everlight Part No.	Package	Lens Color	Rise/Fall Time (μs)	BV _{CEO} Min. (V)	IC (on) Max (nA)	Price Each			
							1	10	100	500
Surface Mount										
638-PT11-21C/L41	EL-PT11-21C/L41/TR8	1105	Water Clear	15/15	60	0.5	.39	.25	.162	.087
638-PT15-21B	EL-PT15-21B	1206	Black	15/15	30	0.1	.37	.24	.156	.084
638-PT15-21C	EL-PT15-21C	1206	Water Clear	15/15	30	0.1	.37	.24	.156	.084
638-PT67-21C/L41	EL-PT67-21C/L41	PLCC-2	Water Clear	15/15	60	0.5	.54	.266	.225	.126
Thru-Hole										
638-PT204-6B	EL-PT204-6B	T1	Black	15/15	30	0.7	.47	.341	.184	.089
638-PT204-6C	EL-PT204-6C	T1	Water Clear	15/15	30	0.7	.37	.24	.156	.084
638-PT908-7B	EL-PT908-7B	Side View	Black	15/15	30	0.8	.52	.412	.262	.195
638-PT908-7C	EL-PT908-7C	Side View	Water Clear	15/15	30	0.8	.38	.302	.192	.143
638-PT928-6C	EL-PT928-6C	Side View	Water Clear	15/15	30	0.52	.45	.357	.227	.169

EVERLIGHT OPTOCOUPPLERS

For quantities greater than listed, call for quote.

MOUSER STOCK NO.	Everlight Part No.	Package	Operating Temp. (°C)	Peak Breakdown Voltage (V)	LED Trigger Current (mA)	Isolation Voltage (Vrms)	Price Each			
							1	10	100	500
Zero Cross Triac Driver Output										
638-EL3043	EL3043	DIP-6	-55 to +100	400	5	5000	.97	.619	.541	.406
638-EL3063	EL3063	DIP-6	-55 to +100	600	5	5000	.97	.619	.541	.406
638-EL3063STA	EL3063S(TA)	SMD-6	-55 to +100	600	5	5000	.97	.619	.541	.406
638-EL3083	EL3083	DIP-6	-55 to +100	800	5	5000	1.06	.68	.595	.446
638-EL3083STA	EL3083S(TA)	SMD-6	-55 to +100	800	5	5000	1.06	.68	.595	.446
Random-Phase Triac Driver Output										
638-EL3052	EL3052	DIP-6	-55 to +100	600	10	5000	.86	.552	.483	.362
638-EL3053	EL3053	DIP-6	-55 to +100	600	5	5000	.91	.583	.51	.382
638-EL3053STA	EL3053S(TA)	SMD-6	-55 to +100	600	5	5000	.91	.583	.51	.382

EVERLIGHT PHOTOTRANSISTOR PHOTOCOUPPLERS

For quantities greater than listed, call for quote.

MOUSER STOCK NO.	Everlight Part No.	Package	Operating Temp. (°C)	Current Transfer Ratio (%)	Collector-Emitter Volt (V)	Isolation Voltage (Vrms)	Price Each			
							1	10	100	500
Phototransistor Output, DC Input										
638-CNY171	CNY17-1	DIP-6	-55 to +110	40 ~ 80	80	5000	.59	.47	.30	.224
638-CNY171STA	CNY17-1S(TA)	DIP-6	-55 to +110	40 ~ 80	80	5000	.59	.474	.302	.224
638-CNY172	CNY17-2	DIP-6	-55 to +110	63 ~ 125	80	5000	.60	.473	.301	.224
638-CNY172STA	CNY17-2S(TA)	DIP-6	-55 to +110	63 ~ 125	80	5000	.59	.474	.302	.224
638-CNY173	CNY17-3	DIP-6	-55 to +110	100 ~ 200	80	5000	.60	.473	.301	.224
638-CNY173STA	CNY17-3S(TA)	DIP-6	-55 to +110	100 ~ 200	80	5000	.59	.474	.302	.224
638-CNY17F1STA	CNY17F-1S(TA)	DIP-6	-55 to +110	40 ~ 80	80	5000	.54	.345	.302	.226
638-CNY17F2	CNY17F-2	DIP-6	-55 to +110	63 ~ 125	80	5000	.54	.345	.302	.226
638-CNY17F2STA	CNY17F-2S(TA)	DIP-6	-55 to +110	63 ~ 125	80	5000	.54	.345	.302	.226
638-CNY17F3	CNY17F-3	DIP-6	-55 to +110	100 ~ 200	80	5000	.54	.345	.302	.226
Phototransistor Output, AC Input										
638-EL814	EL814	DIP-4	-55 to +110	20 ~ 300	80	5000	.50	.401	.255	.19
638-EL814STA	EL814S(TA)	DIP-4	-55 to +110	20 ~ 300	80	5000	.50	.401	.255	.19
638-EL814A	EL814(A)	DIP-4	-55 to +110	50 ~ 150	80	5000	.50	.401	.255	.19
638-EL814SATA	EL814S(A)(TA)	DIP-4	-55 to +110	50 ~ 150	80	5000	.52	.413	.263	.195

NJR PHOTOTRANSISTORS

For quantities greater than listed, call for quote.

MOUSER STOCK NO.	NJR Part No.	Package (mm)	Collector Current (Max)(mA)	Reverse Voltage (Max) (V)	V _{CEO} (Max) (V)	Rise Times (us)	Fall Time (us)	Power Dissipation (Max) (mW)	Forward Voltage (Max) (V)	Price Each		
										1	25	100
513-NJL5501R-TE1	NJL5501R-TE1	1.9 x 2.6 x 0.8	10	5	16	20	20	45	2.1	1.96	1.47	1.23
513-NJL9101R-TE3	NJL9101R-TE3	2.3 x 2.0 x 0.6	10	6	16	-	-	45	1.7	3.61	3.02	2.42

NJR OPT-PASS SENSOR

For quantities greater than listed, call for quote.

MOUSER STOCK NO.	NJR Part No.	Package (mm)	Supply Voltage (Max)(V)	LED Trigger Current (mA)	Collector-Emitter Voltage (Max)(V)	Operating Dark Current (Max) (V)	Power Dissipation (mW)	Operating Temperature (°C)	Price Each			
									1	25	100	500
513-NJL9601MD	NJL9601MD	2.3x2x0.6	3.3	15	16	0.5	60	-30 to -70	2.98	3.02	1.92	1.68

ELMOS HALIOS MULTI-PURPOSE OPTICAL SENSOR

- Features:**
- Up to 4 emitters and 1 compensator
 - Automatic calibration of all relevant values
 - Optical principle with no mechanics
 - 32kByte Flash and 3kByte SRAM memory
- Applications:**
- Highly intuitive input devices (e.g. handheld devices, HMI steering wheel, 3D MMIs, etc.)
 - In combination with suitable optics and additional software, resolves real x, y, z coordinates (64x64x16 positions)
 - Navigation keys, rotary switches, sliders, proximity sensors and optical switches
 - Multi-key applications for rough environmental conditions
 - Long range (up to 3m) proximity & motion detection

For quantities greater than listed, call for quote.

MOUSER STOCK NO.	Elmos Part No.	Package	Data Bus Width	RAM (kB)	Supply Voltage (Max) (V)	No. of Timers	Clock Freq. (Max) (MHz)	Processor Series	Interface	Operating Temperature (°C)	Price Each			
											1	50	100	500
991-E90905A61DC	E90905A61DC	QFN-32	16 bit	3	2.75	2	8	EL16	I2C, SPI	-40 to 85	14.24	11.39	9.99	8.13

ELMOS HALIOS MULTI-PURPOSE AUTOMOTIVE SENSOR

- Features:**
- Up to 4 sending channels, 1 compensation channel and 1 differential receiver input for various HALIOS applications
 - 16 bit micro controller 'EL16' with debug interface
 - Up to 1.5K x 18 (3KByte) SRAM including 2 bit partly per 16 bit word and byte write support
 - Up to 30K x 22 (60KByte) FLASH including 6 bit CRC checksum per 16 bit word
 - Watchdog, 32 bit timer, up to 8 GPIOs
 - Multiply unit
 - AEC-Q100 automotive qualification
- Applications:**
- Optical or capacitive input devices
 - Proximity and gesture detection
 - Compact HMI interfaces for one-dimensional up to three-dimensional input

For quantities greater than listed, call for quote.

MOUSER STOCK NO.	Elmos Part No.	Package	Data Bus Width	RAM (kB)	Supply Voltage (Max) (V)	No. of Timers	Clock Freq. (Max) (MHz)	Processor Series	Interface	Operating Temperature (°C)	Price Each			
											1	50	100	500
991-E90906A61DC	E90906A61DC	QFN-32	16 bit	3	2.75	2	8	EL16	I2C, SPI	-40 to 85	19.60	15.83	13.95	11.76

GATE DRIVE OUTPUT

For quantities greater than listed, call for quote.

MOUSER STOCK NO.		Package	Safety Standard	Cont. Output Current	I _F (Max) (mA)	V _R (Max) (V)	Turn-on/Turn-Off (Max) (μs)	Rise/Fall (Max) (ns)	Isolation Voltage (V _{ISO})	PDo (mW)	Price Each		
Mfr.	Mfr. Part No.										1	10	100
512	FOD8316	SO-16	UL	2.5	15	2.0	4.0/3.0	34/34	4,243	100	4.76	3.83	3.14
512	FOD8320	SOP-6	UL	2.5	25	5.0	0.8/0.4	60/60	5,000	500	3.50	2.81	2.31
512	FOD831R2	SOP-5	UL	2.5	25	5.0	0.8/0.4	500/500	5,000	500	2.19	1.76	1.41

HIGH-SPEED TRANSISTOR OUTPUT

◆ Surface Mount Device

For quantities greater than listed, call for quote.

MOUSER STOCK NO.		Package	Safety Standard	I _{F(AVG)} (mA)	Max. Supply Voltage (V)	Data Rate (Typ.) (Mbits/s)	Delay Time t _{PHL} /t _{PLH} (Typ) (μs)	Isolation Voltage (V _{ISO})	Current Transfer Ratio (Min/Typ/Max) (%)	Price Each		
Mfr.	Mfr. Part No.									1	10	100
Single Channel												
512	6N136VM	DIP-8	UL/VDE	25	30.0	1	0.25/0.26	5kV	19/38/50	1.55	1.25	1.00
512	HCPL0501	SOIC-8	UL/BSI/VDE	25	30.0	1	0.45/0.30	2.5kV	19/27/50	1.58	1.28	1.02
512	FODM453	MFP-5	UL	25	30.0	1	0.40/0.35	3.75kV	20/-/50	1.92	1.55	1.24
512	FODM611	SO-5	UL	50	5.5	10	0.043/0.05	3.75kV	-/-/-	1.47	1.14	.903
512	FODM8061	SO-5	UL	50	5.5	10	0.043/0.05	3.75kV	-/-/-	1.57	1.22	.968
512	6N137M	DIP-8	UL	50	7.0	10	0.040/0.040	2.5kV	-/-/-	1.62	1.25	.997
512	FODM611R2	MFP-5	UL	50	7.0	10	0.043/0.050	3.75kV	-/-/-	1.54	1.19	.946
512	HCPL0600	SOIC-8	UL	50	7.0	10	0.020/0.025	2.5kV	-/-/-	2.17	1.75	1.40
512	HCPL0611	SOIC-8	UL	50	7.0	10	0.020/0.025	2.5kV	-/-/-	2.79	2.25	1.80
512	HCPL-2601	DIP-8	UL	50	7.0	10	0.045/0.045	2.5kV	-/-/-	1.70	1.31	1.05
512	HCPL-2601S	SMDIP-8	UL	50	7.0	10	0.045/0.045	2.5kV	-/-/-	1.61	1.30	1.04
512	CNY172TVM	PDIP-6	UL/VDE	60	6.0	----	----/----	7.5kV	63/----/125	.55	.367	.243
512	CNY174SR2VM	PDIP-6	UL/VDE	60	6.0	----	----/----	7.5kV	63/----/125	.62	.413	.273
Dual Channel												
512	HCPL2531SD	SMD-8	UL	25	5.5	1	0.45/0.3	10kV	19/27/50	2.11	1.70	1.36
512	HCPL-2530	DIP-8	UL	25	30	1	0.45/0.50	2.5kV	7/18/50	2.11	1.70	1.36
512	HCPL-2531	DIP-8	UL	25	30	1	0.45/0.30	2.5kV	19/27/50	1.95	1.57	1.26
512	HCPL-2630	DIP-8	UL	50	5.5	10	0.045/0.045	2.5kV	-/-/-	2.63	2.13	1.70
512	HCPL-2630S	SMDIP-8	UL	50	5.5	10	0.045/0.045	2.5kV	-/-/-	2.85	2.30	1.84
512	HCPL-2631	DIP-8	UL	50	5.5	10	0.045/0.045	2.5kV	-/-/-	2.10	1.69	1.35
512	HCPL-2631S	SMDIP-8	UL	50	5.5	10	0.045/0.045	2.5kV	-/-/-	2.21	1.78	1.42
512	HCPL2631SD	SMDIP-8	UL	50	5.5	10	0.045/0.045	2.5kV	-/-/-	2.21	1.78	1.42
512	HCPL2630.SD	SMD-8	UL	50	5.5	10	0.075/0.075	10kV	-/-/-	3.06	2.47	1.98

HIGH-SPEED, HIGH-CMR, LOGIC GATE

◆ Surface Mount Device

For quantities greater than listed, call for quote.

MOUSER STOCK NO.		Package	Safety Standard	Input Current (μA)	Max. Supply Voltage (V)	Data Rate (Typ.) (Mbits/s)	Delay Time t _{PHL} /t _{PLH} (Typ) (μs)	Isolation Voltage (V _{ISO})	Output Rise/Fall Times (Typ) (ns)	Price Each		
Mfr.	Mfr. Part No.									1	10	100
Single Channel												
512	FOD0710	SOIC-8	UL	±10	6.0	12.5	0.021/0.023	3.75kV	5.0/4.5	3.55	2.86	2.34
512	FOD0720	SOIC-8	UL	±10	6.0	25	0.021/0.023	3.75kV	5.0/4.5	3.64	2.93	2.40
512	FOD0721	SOIC-8	UL	±10	6.0	25	0.021/0.023	3.75kV	5.0/4.5	3.78	3.04	2.50
512	FOD8001	SOIC-8	UL	±10	5.5	25	0.025/0.025	3.75kV	6.5/6.5	3.50	2.81	2.31
512	FOD8160V	SOP-5	UL	250	5.5	10	0.04/0.05	5.0kV	20/10	2.83	2.28	1.83
Dual Channel												
512	FOD8012	SOIC-8	UL	±10	6.0	15	0.037/0.040	3.75kV	6.5/6.5	4.20	3.38	2.77
512	FODM453	MFP-5	UL	25	30	1	0.40/0.35	3.75kV	20/-/50	1.92	1.55	1.24

HIGH-SPEED IGBT/MOSFET GATE DRIVER

◆ Surface Mount Device

For quantities greater than listed, call for quote.

MOUSER STOCK NO.		Package	Safety Standard	I _{F(AVG)} (mA)	Max. Supply Voltage (V)	Data Rate (Typ.) (Mbits/s)	Delay Time t _{PHL} /t _{PLH} (Typ) (μs)	Isolation Voltage (V _{ISO})	I _{OH} (Min) (A)	I _{OL} (Min) (A)	Price Each		
Mfr.	Mfr. Part No.										1	10	100
Single Channel													
512	FOD8321	SOP-5	UL	16	30	1.0	0.29/0.26	20.0kV	1	1	2.13	1.72	1.38
512	FOD8332	SO-16	UL	25	20	-	0.25/0.10	35.0kV	-1	1	4.76	3.82	3.14
512	FOD3180	DIP-8	UL	25	25	1.0	0.20/0.20	5.0kV	2	2	2.48	2.00	1.60
512	FOD3180S	SMDIP-8	UL	25	25	1.0	0.20/0.20	5.0kV	2	2	2.48	2.00	1.60
512	FOD3180TV	DIP-8	UL/VDE	25	25	1.0	0.20/0.20	5.0kV	2	2	2.51	2.03	1.62
512	FOD3120SD	SMT-8	UL	25	30	1.0	1.60/0.40	5.0kV	2	-2	2.32	1.88	1.50
512	FOD8318R2	SO-16	UL	25	30	1.0	0.30/0.25	5.0kV	-1	1	4.76	3.83	3.14
512	FOD3182S	SOIC-8	UL	25	30	1.0	0.12/0.15	50.0kV	3	3	2.79	2.25	1.80
512	FOD3182	DIP-8	UL	25	30	1.0	0.12/0.15	50.0kV	3	3	2.79	2.25	1.80
512	FOD3184S	SMDIP-8	UL	25	35	1.0	0.12/0.145	5.0kV	-0.9	0.5	2.80	2.25	1.85

PHOTODARLINGTON OUTPUT

◆ Surface Mount Device

For quantities greater than listed, call for quote.

MOUSER STOCK NO.		Package	Safety Standard	I _F (Max) (mA)	V _R (Max) (V)	Data Rate (Typ.) (Mbits/s)	Delay Time t _{PHL} /t _{PLH} (Typ) (μs)	Isolation Voltage (V _{ISO})	Current Transfer Ratio (Min/Typ/Max) (%)	Price Each		
Mfr.	Mfr. Part No.									1	10	100
Single Channel												
512	4N32SM	PDIP-6	UL/C-UL	10	3.0	----	2.5/18	7.5kV	----/----/----	.69	.464	.307
512	6N139SDVM	SMD-8	UL	20	5	-	2.5/13.6	5000 Vrms	400/2000/----	1.70	1.38	1.10
512	6N139M	DIP-8	UL	20	5.0	0.1	0.24/13.6	5.0kV	400/2000/----	1.21	.938	.746
512	6N139SVM	DIP-8	UL	20	5	0.1	2.5/13.6	5000 Vrms	400/2000/----	1.61	1.30	1.04
512	6N139TVM	DIP-8	UL	20	5	0.1	2.5/13.6	5000 Vrms	400/2000/----	1.61	1.30	1.04
512	HCPL0701	SOIC-8	UL/BSI/VDE	20	5.0	0.1	3.0/0.30	2.5kV	500/----/2600	1.69	1.36	1.09
512	FOD8523SD	PDIP-4	UL/C-UL/VDE	50	6.0	----	----/----	5.0kV	1000/4000/15000	.72	.557	.36
512	FOD852	DIP-4	UL/C-UL/VDE	50	6.0	----	100/20	5.0kV	1000/4000/15000	.71	.552	.357
512	H11G2M	DIP-6	UL	60	6.0	----	5.0/100	7.5kV	500/----/----	.75	.585	.378
512	4N33M	DIP-6	UL/C-UL	80	3.0	----	5.0/100	7.5kV	500/----/----	.65	.44	.291
Dual Channel												
512	HCPL-2730	DIP-8	UL	20	5.0	0.1	1.0/16	2.5kV	----/2500/----	2.04	1.65	1.32
512	HCPL-2731	DIP-8	UL	20	5.0	0.1	3.0/22	2.5kV	----/2500/----	1.90	1.53	1.23
512	HCPL-2731S	SMDIP-8	UL	20	5.0	0.1	3.0/22	2.5kV	----/2500/----	1.90	1.53	1.23
512	MOC223M	SOIC-8	UL	60	6.0	----	----	2.5kV	500/1000/----	1.10	.851	.677

PHOTOTRANSISTOR OUTPUT

◆ Surface Mount Device

For quantities greater than listed, call for quote.

MOUSER STOCK NO.		Package	Safety Standard	I _F (Max) (mA)	V _R (Max) (V)	V _{CEO} (Max) (V)	Turn-On/Turn-Off (Max) (μs)	Rise/Fall (Max) (μs)	Isolation Voltage (V _{ISO})	Current Transfer Ratio (Min/Typ/Max) (%)	Price Each		
Mfr.	Mfr. Part No.										1	10	100
Single Channel													
512	FODM8801AV	MiniFlat-4	UL/C-UL	20	6.0	75	20/20	5.0/5.5	3.7kV	80/120/160	1.15	.892	.71
512	FOD8160	SOP-5	UL/C-UL/VDE	25	5.0	----	----/----	0.022/0.009	5.0kV	10/----/90	2.67	2.16	1.73
512	FOD814	DIP-4	UL/C-UL/VDE	±50	----	70	----/----	18.0/18.0	5.0kV	20/----/300	.50	.34	.225

FAIRCHILD LED Optocoupler Products



Opto Components

Fairchild Semiconductor



This page of product is RoHS compliant.

PHOTOTRANSISTOR OUTPUT (CONT.)

◆ Surface Mount Device

For quantities greater than listed, call for quote.

MOUSER STOCK NO.		Package	Safety Standard	I _F (Max) (mA)	V _R (Max) (V)	V _{CEO} (Max)(V)	Turn-On/Turn-Off (Max)(μS)	Rise/Fall (Max)(μS)	Isolation Voltage (V _{ISO})	Current Transfer Ratio (Min/Typ/Max)(%)	Price Each					
Mfr.	Mfr. Part No.										1	10	100	1000		
Single Channel (Cont.)																
	512—FOD814A	DIP-4	UL/C-UL/VDE	±50	---	70	---/---	18.0/18.0	5.0kV	50/---/150	.46	.313	.207	.16		
	512—FOD8173SD	PDIP-4	UL/C-UL/VDE	50	6.0	70	---/---	18.0/18.0	5.0kV	50/---/600	.46	.307	.203	.157		
	512—FOD817C300	PDIP-4	UL/C-UL/VDE	±50	6.0	70	---/---	18.0/18.0	5.0kV	200/---/400	.55	.322	.152	.113		
	512—FOD817C300W	PDIP-4	UL/C-UL/VDE	50	6.0	70	---/---	18.0/18.0	5.0kV	50/---/300	.45	.302	.168	.126		
	512—FOD817	DIP-4	UL/C-UL/VDE	50	6.0	70	---/---	18.0/18.0	5.0kV	50/---/600	.46	.311	.173	.13		
	512—FOD817A	DIP-4	UL/C-UL/VDE	50	6.0	70	---/---	18.0/18.0	5.0kV	80/---/160	.43	.287	.16	.119		
◆	512—FOD817A3SD	SMDIP-4	UL/C-UL/VDE	50	6.0	70	---/---	18.0/18.0	5.0kV	80/---/160	.54	.361	.201	.151		
	512—FOD817AS	DIP-4	UL/C-UL/VDE	50	6.0	70	---/---	18.0/18.0	5.0kV	80/---/160	.49	.331	.184	.138		
	512—FOD817B	DIP-4	UL/C-UL/VDE	50	6.0	70	---/---	18.0/18.0	5.0kV	130/---/260	.43	.287	.16	.119		
	512—FOD817C	DIP-4	UL/C-UL/VDE	50	6.0	70	---/---	18.0/18.0	5.0kV	200/---/400	.42	.278	.155	.116		
◆	512—FOD817C3SD	SMDIP-4	UL/C-UL/VDE	50	6.0	70	---/---	18.0/18.0	5.0kV	200/---/400	.51	.339	.189	.141		
◆	512—FOD817CS	SMDIP-4	UL/C-UL/VDE	50	6.0	70	---/---	18.0/18.0	5.0kV	200/---/400	.46	.311	.173	.13		
	512—FOD817D	DIP-4	UL/C-UL/VDE	50	6.0	70	---/---	18.0/18.0	5.0kV	300/---/600	.45	.302	.168	.126		
	512—FOD817SD	DIP-4	UL/C-UL/VDE	50	6.0	70	---/---	18.0/18.0	5.0kV	50/---/600	.49	.33	.184	.137		
	512—FOD817DSD	DIP-4	UL/C-UL/VDE	50	6.0	70	---/---	18.0/18.0	5.0kV	300/---/600	.57	.38	.212	.159		
◆	512—HMHA281R2	SMD-4	CSA/UL/VDE	50	6.0	80	---/---	3.0/3.0	2.5kV	50/---/600	.61	.412	.273	.211		
◆	512—HMHA280R2	SMD-4	CSA/UL/VDE	50	6.0	80	---/---	3.0/3.0	2.5kV	50/---/600	.70	.474	.313	.242		
◆	512—FODM121AR2	SMD-4	UL/C-UL/VDE	50	6.0	80	---/---	3.0/3.0	3.75kV	50/---/300	.56	.375	.248	.191		
◆	512—FODM124R2	MFP-4	UL/C-UL/VDE	50	6.0	80	---/---	3.0/3.0	3.75kV	100/---/1200	.58	.39	.258	.18		
◆	512—HMHA280	MFP-4	UL/VDE	50	6.0	80	---/---	3.0/3.0	3.75kV	50/---/600	.66	.445	.295	.228		
◆	512—HMHA2801	HP MFP-4	UL/CSA/VDE	50	6.0	80	---/---	3.0/3.0	3.75kV	80/---/600	.53	.354	.234	.181		
◆	512—HMHA281	HP MFP-4	UL/CSA/VDE	50	6.0	80	---/---	3.0/3.0	3.75kV	50/---/600	.50	.34	.225	.174		
	512—H11AA1M	DIP-6	UL	60	---	100	---/---	7.5kV	20/---/---	63	.494	.319	.255			
	512—H11AA4M	DIP-6	UL	60	---	100	---/---	7.5kV	100/---/---	.67	.525	.339	.271			
◆	512—MOC205R2VM	SOIC-8	UL/VDE	60	6.0	70	7.5/5.7	3.2/4.7	2.5kV	40/---/80	.61	.468	.302	.242		
◆	512—MOC206R2M	SOIC-8	UL/VDE	60	6.0	70	7.5/5.7	3.2/4.7	2.5kV	63/---/125	.71	.481	.318	.222		
◆	512—MOC211R2M	SOIC-8	UL/VDE	60	6.0	30	7.5/5.7	3.2/4.7	2.5kV	20/---/---	.61	.468	.302	.242		
◆	512—MOC216R2M	SOIC-8	UL/VDE	60	6.0	30	4.0/4.0	3.0/3.0	2.5kV	50/---/---	.71	.477	.316	.244		
	512—4N25M	DIP-6	UL	60	6.0	30	2.0/2.0	---	7.5kV	20/---/---	.50	.34	.225	.174		
◆	512—4N25SM	SMDIP-6	UL	60	6.0	30	2.0/2.0	---	7.5kV	20/---/---	.55	.367	.243	.188		
	512—4N26M	DIP-6	UL	60	6.0	30	2.0/2.0	---	7.5kV	20/---/---	.55	.367	.243	.188		
	512—4N35M	DIP-6	UL	60	6.0	30	2.0/2.0	---	7.5kV	100/---/---	.51	.346	.229	.177		
◆	512—4N35SR2M	SMDIP-6	UL	60	6.0	30	2.0/2.0	---	7.5kV	100/---/---	.58	.392	.26	.20		
	512—4N37M	DIP-6	UL	60	6.0	30	2.0/2.0	---	7.5kV	100/---/---	.55	.367	.243	.188		
◆	512—4N35VM	PDIP-6	UL/VDE	60	6.0	30	2.0/2.0	---	4.2kV	100/---/---	.56	.379	.251	.194		
◆	512—MOC211M	SOIC-8	UL/VDE	60	6.0	30	7.5/5.7	3.2/4.7	2.5kV	100/---/---	.67	.45	.298	.23		
◆	512—MOC205R2M	SOIC-8	UL/VDE	60	6.0	70	7.5/5.7	3.2/4.7	2.5kV	40/---/80	.71	.477	.316	.244		
◆	512—CNY173SR2M	PDIP-6	UL/VDE	60	6.0	70	10.0/10.0	6.0/24.0	5.3kV	100/---/200	.61	.411	.272	.21		
	512—CNY173M	DIP-6	UL	60	6.0	70	8.0/39	6.0/24.0	7.5kV	100/---/200	.51	.346	.229	.177		
◆	512—MOC207M	SOIC-8	UL	60	6.0	70	7.5/5.7	3.2/4.7	2.5kV	100/---/200	.71	.477	.316	.244		
	512—H11AA4SR2M	PDIP-6	UL/VDE	60	6.0	100	---/---	---	7.5kV	100/---/---	.79	.617	.399	.319		
Dual Channel																
	512—MCT6	DIP-8	UL/VDE	60	3.0	85	2.4/2.4	---	5.0kV	20/---/---	.78	.556	.359	.287		
◆	512—MCT6S	SMDIP-6	UL/VDE	60	3.0	85	2.4/2.4	---	5.0kV	20/---/---	.78	.611	.394	.315		
	512—MCT61	DIP-8	UL/VDE	60	3.0	85	2.4/2.4	---	5.0kV	50/---/---	.78	.611	.394	.315		
	512—MCT62	DIP-8	UL/VDE	60	3.0	85	2.4/2.4	---	5.0kV	100/---/---	.84	.65	.42	.336		
◆	512—MCT62S	SMDIP-6	UL/VDE	60	3.0	85	2.4/2.4	---	5.0kV	100/---/---	.84	.65	.42	.336		
	512—MCT9001	DIP-8	UL/VDE	60	5.0	55	3.0/3.0	2.4/25.0	5.0kV	50/---/600	.84	.65	.42	.336		
◆	512—MOC207M	SOIC-8	UL	60	6.0	70	3.0/2.8	3.0/2.2	2.5kV	100/---/200	.88	.681	.541	.377		
◆	512—MOC213M	SOIC-8	UL	60	6.0	70	3.0/2.8	1.6/2.2	2.5kV	100/---/---	.96	.749	.596	.415		
◆	512—MOC217M	SOIC-8	UL	60	6.0	30	7.5/5.7	3.2/4.7	2.5kV	100/130/---	.99	.772	.498	.399		

SCHMITT TRIGGER OUTPUT

◆ Surface Mount Device

For quantities greater than listed, call for quote.

MOUSER STOCK NO.		Package	Safety Standard	I _F (Max) (mA)	V _R (Max) (V)	Data Rate (Typ)(MHz)	Turn-On/Turn-Off (Typ)(μS)	Rise/Fall (Typ)(μS)	Isolation Voltage (V _{ISO})	Turn-on Threshold Current (Max)(mA)	Price Each			
Mfr.	Mfr. Part No.										1	10	100	1000
	512—H11N1M	DIP-6	UL	30	6	5	---	7.5/12	7.5kV	3.2	4.99	4.01	3.29	2.49
◆	512—H11L3SR2M	SMD-6	UL, VDE	60	6	1	1.0/1.2	0.1/0.1	7.5kV	5	1.07	.827	.658	.459
	512—H11L1M	DIP-6	UL	60	6	1	1.2/1.2	0.1/0.1	7.5kV	1.6	.88	.682	.441	.352
◆	512—H11L1SM	SMDIP-6	UL	60	6	1	1.2/1.2	0.1/0.1	7.5kV	1.6	1.09	.844	.672	.468
◆	512—H11L1SR2M	SMDIP-6	UL	60	6	1	1.2/1.2	0.1/0.1	7.5kV	1.6	.88	.682	.441	.352
◆	512—H11L1SR2VM	SMDIP-6	UL	60	6	1	1.2/1.2	0.1/0.1	7.5kV	1.6	1.11	.862	.686	.478
	512—H11L2M	DIP-6	UL	60	6	1	1.2/1.2	0.1/0.1	7.5kV	10	1.02	.791	.63	.439
	512—H11L2VM	DIP-6	UL	60	6	1	1.2/1.2	0.1/0.1	7.5kV	10	1.52	1.17	.937	.653
	512—H11L3M	DIP-6	UL	60	6	1	1.2/1.2	0.1/0.1	7.5kV	5	.94	.73	.581	.405
◆	512—H11L3SM	SMDIP-6	UL	60	6	1	1.2/1.2	0.1/0.1	7.5kV	5	1.09	.848	.675	.47

RANDOM PHASE TRIAC DRIVER OUTPUT

◆ Surface Mount Device

For quantities greater than listed, call for quote.

MOUSER STOCK NO.		Package	Safety Standard	V _{DRM} (Max)(V)	I _{FT} (Max) (mA)	V _{TM} (Typ/Max)(V)	Turn-On/Turn-Off (Typ)(μS)	Isolation Voltage (V _{ISO})	dv/dt (Min) (V/μS)	I _H (Typ/Max) (μA)	Price Each			
Mfr.	Mfr. Part No.										1	10	100	1000
	512—MOC3012M	DIP-6	UL	250	5	3	---	5.3kV	5	100/---	.63	.487	.315	.252
	512—MOC3011M	DIP-6	UL	250	10	3	---	5.3kV	15	100/---	.63	.494	.319	.255
◆	512—MOC3011SM	SMDIP-6	UL	250	10	3	---	5.3kV	10	100/---	.69	.535	.346	.276
	512—MOC3010M	DIP-6	UL	250	15	3	---	5.3kV	15	100/---	.63	.494	.319	.255
	512—MOC3010VM	PDIP-6	UL/VDE	250	15	1.8/3.0	---	7.5kV	10000	100/---	.72	.562	.363	.29
◆	512—MOC3010SM	SMDIP-6	UL	250	15	3	---	5.3kV	15	100/---	.72	.562	.363	.29
	512—MOC3023M	DIP-6	UL	400	5	3	---	5.3kV	5	100/---	.60	.468	.302	.241
◆	512—MOC3023SM	SMDIP-6	UL	400	5	3	---	5.3kV	5	100/---	.64	.496	.32	.256
	512—MOC3021M	DIP-6	UL	400	10	3	---	5.3kV	15	100/---	.71	.477	.316	.244
◆	512—MOC3021SM	SMDIP-6	UL	400	10	3	---	5.3kV	15	100/---	.71	.552	.357	.285
	512—MOC3022M	DIP-6	UL	400	10	3	---	5.3kV	10					

FAIRCHILD LED Optocoupler Products



RANDOM PHASE TRIAC DRIVER OUTPUTS (CONT.)

This page of product is RoHS compliant. **◆ Surface Mount Device**

For quantities greater than listed, call for quote.

MOUSER STOCK NO.		Package	Safety Standard	V _{DRM} (Max)(V)	I _{FT} (Max) (mA)	V _{TM} (Typ/Max)(V)	Turn-On/Turn-Off (Typ)(μS)	Isolation Voltage (V _{ISO})	dv/dt (Min) (V/μS)	I _H (Typ/Max) (μA)	Price Each			
Mfr.	Mfr. Part No.										1	10	100	1000
512	FOD4218	DIP-6	UL/VDE/FIMKO	800	1.3	2.2/3.0	60/52	5.0kV	10000	----/500	3.92	3.15	2.59	1.96
512	FOD4208	DIP-6	UL/VDE/FIMKO	800	2	2.2/3.0	60/52	5.0kV	10000	----/500	3.50	2.82	2.31	1.75
◆	512—FOD4208SV	PDIP-6	UL/C-UL/VDE	800	2	2.2/3	60/52	5.0kV	10000	200/500	3.53	2.84	2.33	1.77

PHOTOTRANSISTOR PHOTO DETECTOR

◆ Surface Mount Device

For quantities greater than listed, call for quote.

MOUSER STOCK NO.		Package	V _{CE} (Max.)(V)	Light Current (Typ) (μA)			V _O (Typ)(V)	I _{LEAK} (Max.)(nA)	Peak Wavelength Sensitivity (nm)	Operating Temperature (°C)	Price Each			
Mfr.	Mfr. Part No.			1 x 100lux	2 x 1000lux	3 x 1000lux					1	10	100	1000
◆	512—KDT00030ATR	ChipLED	6	10	230	1100	4.6	40	630	-40 to +85	.58	.392	.26	.20

ZERO-CROSSING TRIAC OUTPUTS

◆ Surface Mount Device

For quantities greater than listed, call for quote.

MOUSER STOCK NO.		Package	Safety Standard	V _{DRM} (Max.)(V)	I _{FT} (Max.)(mA)	V _{TM} (Typ./Max.)(V)	I _{DRM} (Typ./Max.)(nA)	Isolation Voltage (V _{ISO})	dv/dt (Min.)(V/μS)	I _H (Typ./Max.)(μA)	Price Each			
Mfr.	Mfr. Part No.										1	10	100	1000
◆	512—MOC3033SM	SMDIP-6	----	250	5	1.8/3.0	----/100	7.5kV	1000	400/----	.99	.766	.609	.425
◆	512—MOC3032M	DIP-6	----	250	10	1.8/3.0	----/100	7.5kV	1000	400/----	.88	.681	.541	.377
◆	512—MOC3033M	DIP-6	----	250	10	1.8/3.0	----/100	7.5kV	1000	400/----	.99	.766	.609	.425
◆	512—MOC3031-M	DIP-6	----	250	15	1.8/3.0	----/100	7.5kV	1000	400/----	.95	.737	.587	.409
◆	512—MOC3031SM	SMDIP-6	----	250	15	1.8/3.0	----/100	7.5kV	1000	400/----	.95	.737	.587	.409
◆	512—MOC3043M	DIP-6	----	400	5	1.8/3.0	----/100	7.5kV	1000	400/----	.95	.737	.587	.409
◆	512—MOC3043SM	SMDIP-6	----	400	5	1.8/3.0	----/100	7.5kV	1000	400/----	1.02	.794	.632	.44
◆	512—MOC3042M	DIP-6	----	400	10	1.8/3.0	----/100	7.5kV	1000	400/----	.94	.727	.579	.403
◆	512—MOC3041-M	DIP-6	----	400	15	1.8/3.0	----/100	7.5kV	1000	400/----	.84	.65	.42	.336
◆	512—MOC3041SR2M	PDIP-6	VDE	400	15	1.8/3.0	----/100	5.25kV	2000	400/----	1.14	.88	.70	.488
◆	512—MOC3041SM	SMDIP-6	----	400	15	1.8/3.0	----/100	7.5kV	1000	400/----	.98	.76	.604	.421
◆	512—MOC3063M	DIP-6	UL	600	5	1.8/3.0	10/100	7.5kV	600	500/----	.84	.65	.42	.336
◆	512—MOC3063SM	SMDIP-6	UL	600	5	1.8/3.0	10/100	7.5kV	600	500/----	1.17	.908	.722	.503
◆	512—MOC3062-M	DIP-6	UL	600	10	1.8/3.0	10/100	7.5kV	600	500/----	1.01	.781	.622	.433
◆	512—MOC3051VM	PDIP-6	UL	600	15	1.7/2.5	10/100	5.25kV	1000	220/----	.88	.681	.542	.378
◆	512—MOC3083SR2VM	PDIP-6	UL/VDE	800	5	1.8/3.0	10/500	5.25kV	600	500/----	1.40	1.08	.858	.598
◆	512—MOC3083M	DIP-6	UL	800	5	1.8/3.0	10/500	7.5kV	600	500/----	1.32	1.02	.815	.568
◆	512—MOC3083SR2M	SMDIP-6	UL	800	5	1.8/3.0	10/500	7.5kV	600	500/----	1.25	.97	.772	.538
◆	512—FOD4118	DIP-6	UL/VDE/CSA	800	30	2.2/3.0	3/100	5.0kV	10000	200/500	3.92	3.15	2.59	1.96

SPECIAL FUNCTION DEVICES

For quantities greater than listed, call for quote.

MOUSER STOCK NO.		Package	Safety Standard	V _{CC} (V)	V _{OL} (Typ./Max.)(V)	I _{OH} (Typ./Max.)(μA)	I _{ON} RMS (Min.)(mA)	I _{OFF} RMS (Max.)(mA)	Isolation Voltage (V _{ISO})	Turn-On Time (Typ.)(ms)	Turn-Off Time (Typ.)(ms)	Price Each			
Mfr.	Mfr. Part No.											1	10	100	1000
AC Line Monitor Logic Output															
512	MID400	DIP-8	UL	7.0	0.18/0.40	0.02/100	4	0.15	2.5kV	1.0	1.0	3.79	3.05	2.50	1.90
AC/DC To Logic Interface															
512	HCPL-3700	DIP-8	UL	18	0.04/0.4	----/100	----	----	2.5kV	15	40	3.18	2.56	2.10	1.59

INFRARED PHOTOTRANSISTORS

For quantities greater than listed, call for quote.

MOUSER STOCK NO.		Package	V _{CE} (Max.)(V)	Power Dissipation (Max.)(mW)	I _{C(ON)} (Min.)(mA)	Peak Sensitivity Wavelength (nm)	Reception Angle (°)	I _{CEO} (Max.)(nA)	Rise/Fall Time (Typ.)(ms)	Price Each			
Mfr.	Mfr. Part No.									1	10	100	1000
512	QSE133	Sidelooker 2L	10	100	9	880	±25	100	20.0/50.0	.66	.438	.29	.202
512	QSD123	T-1 3/4	30	100	4	880	±12	100	7.0/7.0	.47	.317	.21	.147
512	QSD124	T-1 3/4	30	100	6	880	±12	100	7.0/7.0	.49	.328	.217	.152

PIN PHOTODIODES

For quantities greater than listed, call for quote.

MOUSER STOCK NO.		Package	V _R (Max.)(V)	Power Dissipation (Max.)(mW)	V _F (Typ.)(V)	Peak Emission Wavelength (nm)	Reception Angle (°)	I _D (Max.)(nA)	Rise/Fall Time (Typ.)(ms)	Price Each			
Mfr.	Mfr. Part No.									1	10	100	1000
512	QSD2030	T-1 3/4	50	100	1.3	880	±20	10	5.0/5.0	.58	.389	.257	.18
512	QSD2030F	T-1 3/4	50	100	1.3	880	±20	10	5.0/5.0	.52	.344	.228	.159
512	QSE773	Sidelooker	32	150	----	940	±60	30	0.05/0.05	.81	.634	.409	.327

PHOTO SENSOR

◆ Surface Mount Device

For quantities greater than listed, call for quote.

MOUSER STOCK NO.		Package	Supply Voltage (V)	Output Voltage (V)	Output Current (V)	Power Dissipation (mW)	Threshold Irradiance (mW/cm ²)	High Level Output Curr. (μA)	Low Level Output Volt. (V)	High/Low Level Supply Curr. (Max.)(mA)	Output Rise/Fall (Typ.)(ms)	Price Each			
Mfr.	Mfr. Part No.											1	10	100	1000
◆	512—QSE159	Sidelooker	4.0 to 16	35	50	100	0.25	100	0.4	5.0/5.0	100/100	.94	.73	.472	.342

ISOLATED ERROR AMPLIFIERS

◆ Surface Mount Device

For quantities greater than listed, call for quote.

MOUSER STOCK NO.		Package	Safety Standard	Tolerance (%)	Reference Voltage			BV _{CEO} (Min./Typ.)(V)	Isolation Voltage (V _{ISO})	Current Transfer Ratio (Min./Typ./Max.)(%)	Price Each			
Mfr.	Mfr. Part No.				(Min.)(V)	(Typ.)(V)	(Max.)(V)				1	10	100	1000
512	FOD2741A	DIP-8	UL/CSA/BSI/VDE	0.5	2.482	2.495	2.508	70/----	5.0kV	100/----/200	1.33	1.03	.817	.57
◆	512—FOD2712AR2	SOIC-8	UL/BSI	1	1.228	1.240	1.252	70/----	5.0kV	100/----/200	1.05	.811	.645	.45
512	FOD2741B	DIP-8	UL/CSA/BSI/VDE	1	2.470	2.495	2.520	70/----	5.0kV	100/----/200	1.33	1.03	.817	.57
◆	512—FOD2742B	SOIC-8	UL/CSA/BSI/VDE	1	2.470	2.495	2.520	70/120	2.5kV	100/140/200	1.05	.811	.645	.45

LED DRIVERS

◆ Surface Mount Device

For quantities greater than listed, call for quote.

MOUSER STOCK NO.		Package	Number of LEDs	Input Voltage (V)	Ground Current (mA)	LED On Option	Brightness Control	Driver Only	LED Current (mA)	Serial Driver	Price Each			
Mfr.	Mfr. Part No.										1	10	100	1000
512	FLS1600XS	SIP-9	1	-0.3 to 25	2.7	---	---	No	20	Yes	3.08	2.47	2.03	1.54
512	FLS1700XS	SIP-9	1	-0.3 to 25	2.7	---	---	No	20	Yes	2.94	2.36	1.94	1.47
512	FLS1800XS	SIP-9	1	-0.3 to 25	2.7	---	---	No	20	Yes	3.47	2.79	2.29	1.73
512	FLS2100XS	SIP-9	1	-0.3 to 25	2.7	---	---	No	20	Yes	3.74	3.01	2.47	1.87
◆	512—FAN5646S700X	SC-70-5	1	2.7 to 5.0	0.05	00	Digital	Yes	20	No	.96	.743	.48	.384
◆	512—FAN5646S701X	SC-70-5	1	2.7 to 5.0	0.05	01	Digital	Yes	20	No	.96	.743	.48	.384
◆	512—FAN5646UC00X	WL-CSP	1	2.7 to 5.0	0.05	00	Digital	Yes	20	No	.96	.743	.48	.384
◆	512—FAN5646UC01X	WL-CSP	1	2.7 to 5.0	0.05	01	Digital	Yes	20	No	.96	.743	.48	.384
◆	512—FAN5341UMPX	UMLP-6	4	2.7 to 5.5	---	---	Digital	Yes	25	Yes	1.18	.918	.731	.509
◆	512—FAN5701UMP15X	UMLP-16	6	2.7 to 5.5	2.5	---	PWM	No	15	No	1.29	1.00	.795	.554
◆	512—FAN5701UMP30X	UMLP-16	6	2.7 to 5.5	2.5	---	PWM	No	30	No	1.29	1.00	.795	.554
◆	512—FAN5702UMP08X	UMLP-16	6	2.7 to 5.5	2.5	---	Digital	Yes	8	No	1.57	1.27	1.02	.739

FINISAR Fiber Optic Transceivers and Assemblies *Finisar*

RoHS Compliant This page of product is RoHS compliant.

For quantities greater than listed, call for quote.

FIBER OPTIC TRANSCEIVERS

MOUSER STOCK NO.		Fig.	Case Style	Mode	Wave-length (nm)	Transmitter	Data Rate (Max)	Operating Temp. (°C)	Price Each		
Mfr.	Mfr. Part No.								1	25	50
508	FTLX1671D3BCL	A	SFP+	Single	1550	CML™	10.3Gb/s	0 to 70	646.42	588.45	574.82
508	FTLX1671D3BTL	A	SFP+	Single	1550	CML™	10.3Gb/s	-40 to 85	670.39	619.22	619.22
508	FTLX1871M3BCL	A	SFP+	Single	1550	EML	11.3Gb/s	-5 to 70	1021.17	-	-
508	FTLX2071D327	B	SFP+	Single	1271	DFB	10.5Gb/s	-40 to 85	258.67	238.03	223.24
508	FTLX2071D333	B	SFP+	Single	1331	DFB	10.5Gb/s	-40 to 85	258.67	238.03	223.24
508	FTLX1772M3BCL	C	SFP+	Single	1330	DFB	10Gb/s	-5 to 75	349.71	321.80	301.82
508	FTLF1428P2BNV	D	SFP+	Single	1310	DFB	8.5Gb/s	-5 to 85	232.65	214.09	200.79
508	FTLF1429P3BNV	D	SFP+	Single	1310	DFB	14.025Gb/s	-5 to 85	461.53	420.14	410.41
508	FTLX1471D3BCL	D	SFP+	Single	1310	DFB	10.5Gb/s	-5 to 75	167.63	154.25	144.67
508	FTLX1471D3BCL	D	SFP+	Single	1310	DFB	10.3Gb/s	-5 to 75	171.96	158.24	148.41
508	FTLX1471D3BNL	D	SFP+	Single	1310	DFB	10.5Gb/s	-5 to 85	180.63	166.22	155.89
508	FTLX1471D3BTL	D	SFP+	Single	1310	DFB	10.5Gb/s	-40 to 85	195.08	179.52	168.37
508	FTLX1472M3BCL	B	SFP+	Single	1310	DFB	11.3Gb/s	-5 to 75	197.97	182.18	170.86
508	FTLF1328P2BNV	D	SFP+	Single	1310	Fabry-Perot	8.5Gb/s	-5 to 85	177.74	163.56	153.40
508	FTLF1326P3BTL	D	SFP+	Single	1310	Fabry-Perot	6.144Gb/s	-40 to 85	82.64	74.28	71.72
508	FTLF8526P3BNL	E	SFP+	Multi	850	Oxide VCSEL	6.144Gb/s	0 to 70	59.16	53.17	52.37
508	FTLF8526P3BCV	E	SFP+	Multi	850	Oxide VCSEL	8.5Gb/s	-5 to 70	60.80	54.65	53.82
508	FTLF8528P3BNV	E	SFP+	Multi	850	Oxide VCSEL	8.5Gb/s	-5 to 70	64.59	58.19	56.73
508	FTLF8529P3BCV	E	SFP+	Multi	850	Oxide VCSEL	14.025Gb/s	0 to 70	197.97	182.18	170.86
508	FTLX8571D3BCL	E	SFP+	Multi	850	Oxide VCSEL	10.5Gb/s	0 to 70	82.64	74.28	71.72
508	FTLX8571D3BCL	E	SFP+	Multi	850	Oxide VCSEL	10.3Gb/s	0 to 70	87.41	78.57	75.86
508	FTLX8571D3BNL	E	SFP+	Multi	850	Oxide VCSEL	10.5Gb/s	0 to 85	93.77	84.28	81.37
508	FTLX8573D3BTL	E	SFP+	Multi	850	Oxide VCSEL	10.5Gb/s	-40 to 85	103.30	92.85	89.65
508	FTL4C1QE1C	F	QSFP	Single	1337.5	4 x CWDM	41.2Gb/s	0 to 70	1849.00	-	-
508	FTL4C1QM1C	F	QSFP	Single	1337.5	4 x CWDM	44.6Gb/s	0 to 70	2159.94	-	-
508	FTL410QE2C	G	QSFP	Multi	850	4 x VCSEL	41.2Gb/s	0 to 70	316.47	291.22	273.13
508	FTL410QD2C	G	QSFP	Multi	860	4 x VCSEL	41.2Gb/s	0 to 70	443.99	404.17	394.81
508	FTLF1419P1BCL	H	SFP	Single	1310	DFB Laser	2.125Gb/s	-10 to 70	190.75	175.53	164.63
508	FTLF1421P1BCL	H	SFP	Single	1310	DFB Laser	2.67Gb/s	-10 to 70	132.64	118.86	113.13
508	FTLF1421P1BTL	H	SFP	Single	1310	DFB Laser	2.67Gb/s	-40 to 85	141.79	127.06	120.93
508	FTLF1721P1BCL	H	SFP	Single	1310	DFB Laser	2.67Gb/s	-10 to 70	291.90	268.61	251.93
508	FTLF1518P1BCL	I	SFP	Single	1550	DFB Laser	1.25Gb/s	-40 to 85	252.89	232.71	218.25
508	FTLF1519P1BCL	I	SFP	Single	1550	DFB Laser	2.125Gb/s	-10 to 70	218.20	200.79	188.32
508	FTLF1521P1BCL	I	SFP	Single	1550	DFB Laser	2.67Gb/s	0 to 70	328.03	301.86	283.11
508	FTLF1523P1BTL	I	SFP	Single	1550	DFB Laser	155Mb/s	-40 to 85	153.17	140.95	132.20
508	FTLF1621P1BCL	I	SFP	Single	1550	DFB Laser	2.67Gb/s	-10 to 70	359.82	331.11	310.55
508	FTLF1318P2BCL	H	SFP	Single	1310	Fabry-Perot	1.25Gb/s	0 to 70	62.44	56.13	55.28
508	FTLF1318P3BTL	H	SFP	Single	1310	Fabry-Perot	1.25Gb/s	-40 to 85	64.59	58.19	56.73
508	FTLF1324P2BTL	H	SFP	Single	1310	Fabry-Perot	4.25Gb/s	-40 to 85	111.25	100.00	96.55
508	FTLF1324P2BTV	H	SFP	Single	1310	Fabry-Perot	4.25Gb/s	-40 to 85	114.34	102.47	97.52
508	FTLF1321P1BTL	H	SFP	Single	1310	Fabry-Perot	2.67Gb/s	-40 to 85	92.18	82.85	80.00
508	FTLF1322P1BTR	H	SFP	Single	1310	Fabry-Perot	622Mb/s	-40 to 85	62.44	56.13	55.28
508	FTLF1323P1BTL	H	SFP	Single	1310	Fabry-Perot	155Mb/s	-40 to 85	71.05	64.00	62.41
508	FTLF1323P1BTR	H	SFP	Single	1310	Fabry-Perot	155Mb/s	-40 to 85	54.23	48.74	48.00
508	FTLF8519P3BNL	I	SFP	Multi	850	Oxide VCSEL	2.125Gb/s	-40 to 85	36.17	32.50	31.40
508	FTLF8519P3BTL	I	SFP	Multi	850	Oxide VCSEL	2.125Gb/s	-40 to 85	38.76	34.82	33.64
508	FTLF8524P3BNL	I	SFP	Multi	850	Oxide VCSEL	3.7Gb/s	-40 to 85	36.17	32.50	31.40
508	FTLF1217P2BCL	I	SFP	Multi	1310	LED	200Mb/s	-40 to 85	62.48	56.16	55.31
508	FCLF-8520-3	J	SFP	Copper	-	-	1.25Gb/s	0 to 85	64.97	58.40	57.52
508	FCLF8520P2BTL	J	SFP	Copper	-	-	1.25Gb/s	-40 to 85	68.76	61.94	60.39
508	FCLF-8521-3	J	SFP	Copper	-	-	1.25Gb/s	0 to 85	64.97	58.40	57.52
508	FCLF8521P2BTL	J	SFP	Copper	-	-	1.25Gb/s	-40 to 85	68.76	61.94	60.39
508	FCLF8522P2BTL	J	SFP	Copper	-	-	1.25Gb/s	-40 to 85	68.76	61.94	60.39
508	FTLF1319F1GTL	K	SFF	Single	1310	Fabry-Perot	2.125Gb/s	-40 to 85	114.35	102.47	97.53
508	FTLF8519F2GCL	K	SFF	Multi	850	Oxide VCSEL	2.125Gb/s	0 to 70	38.76	34.82	33.64
508	FTLF8519F2GNL	K	SFF	Multi	850	Oxide VCSEL	2.125Gb/s	-10 to 85	41.34	37.14	35.88
508	FTLF8519F2GTL	K	SFF	Multi	850	Oxide VCSEL	2.125Gb/s	-40 to 85	43.92	39.46	38.12
508	FTLF8524E2GNL	K	SFF	Multi	850	Oxide VCSEL	4.25Gb/s	-10 to 85	43.92	39.46	38.12
508	FTLF8524E2GNV	K	SFF	Multi	850	Oxide VCSEL	4.25Gb/s	-10 to 85	43.92	39.46	38.12
508	FTLQ8181EBLML	L	CFP	Multi	850 x 4 Ch	Oxide VCSEL	41.2Gb/s	-5 to 75	1891.23	-	-
508	FTLD10CE1C	M	CXP	Multi	860	VCSEL	10Gb/s	0 to 70	776.92	717.62	717.62
508	FTLX1413D3BCL	N	XFP	Single	1310	DFB	11.3Gb/s	-5 to 75	180.63	166.22	155.89
508	FTLX1413M3BCL	N	XFP	Single	1310	DFB	11.3Gb/s	-5 to 75	193.64	178.19	167.12
508	FTLX1612M3BCL	O	XFP	Single	1550	EML	11.3Gb/s	-5 to 75	605.93	551.59	538.82
508	FTLX1612M3BTL	P	XFP	Single	1550	EML	11.3Gb/s	-40 to 85	713.26	658.82	658.82
508	FTLX1812M3BCL	Q	XFP	Single	1550	EML	11.3Gb/s	0 to 70	1008.18	931.23	931.23
508	FTLX6814MCC	P	XFP	Multi	1550	CML™	11.35Gb/s	-5 to 70	3104.28	-	-
508	FTLX8512D3BCL	R	XFP	Multi	850	Oxide VCSEL	10.5Gb/s	-5 to 70	144.50	132.97	124.71
508	FTLX8512D3BTL	R	XFP	Multi	850	Oxide VCSEL	10.5Gb/s	-40 to 85	179.19	164.89	154.65
508	FTLX1442E2	S	X2	Single	1310	DFB Laser	10.3Gb/s	0 to 70	349.52	318.18	310.81
508	FTLX8541E2	S	X2	Multi	850	Oxide VCSEL	10.3Gb/s	0 to 70	252.89	232.71	218.25

Evaluation Boards

For quantities greater than listed, call for quote.

MOUSER STOCK NO.		Fig.	Description	Price Each
Mfr.	Mfr. Part No.			
508	FDB-1022	-	XFP Transceiver Evaluation Board	625.00
508	FDB-1027	T	SFP Transceiver Evaluation Board	375.00
508	FDB-1043	-	CXP Transceiver Evaluation Board	2500.00

QUADWIRE® SERIES - FIBER OPTIC CABLE ASSEMBLIES

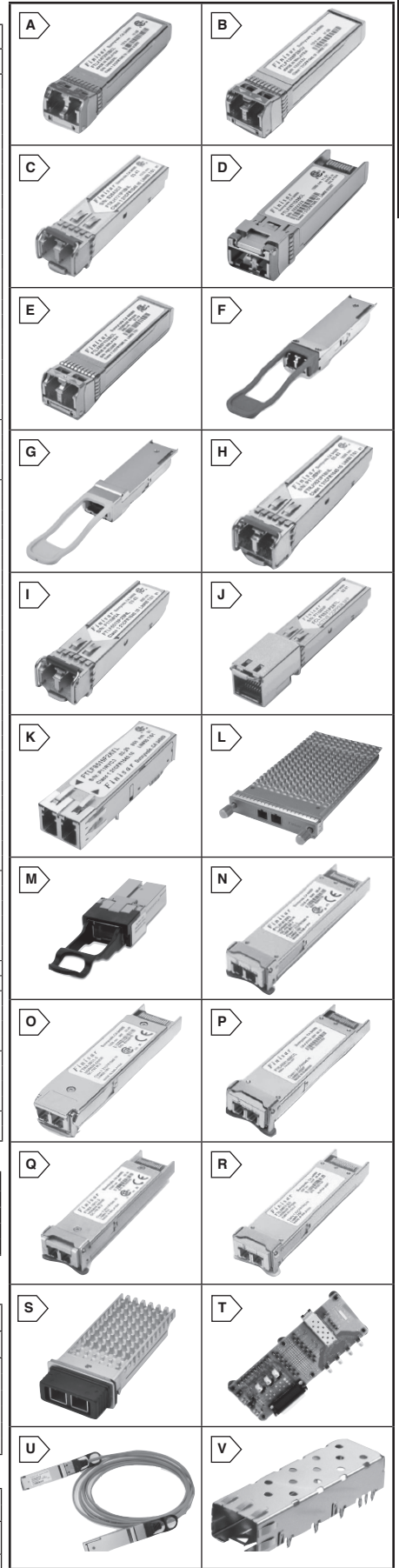
For quantities greater than listed, call for quote.

MOUSER STOCK NO.		Fig.	Data Rate (Gbps)	Mode	Length (m)	Cable Type	Connector End A	Connector End B	Price Each			
Mfr.	Mfr. Part No.								1	25	50	100
508	FCBN410QB1C03	U	4x10	Multi	3	Parallel	QSFP	QSFP	274.56	252.66	236.96	228.00
508	FCBN410QB1C05	U	4x10	Multi	5	Parallel	QSFP	QSFP	283.23	260.63	244.45	235.20
508	FCBN410QB1C10	U	4x10	Multi	10	Parallel	QSFP	QSFP	304.91	280.58	263.15	253.21
508	FCBN410QB1C15	U	4x10	Multi	15	Parallel	QSFP	QSFP	328.03	301.86	283.11	272.41
508	FCBN410QB1C20	U	4x10	Multi	20	Parallel	QSFP	QSFP	349.71	321.80	301.82	290.41
508	FCBN410QB1C30	U	4x10	Multi	30	Parallel	QSFP	QSFP	367.07	334.15	326.41	326.41

FIBER OPTIC HARDWARE AND ACCESSORIES

For quantities greater than listed, call for quote.

MOUSER STOCK NO.		Fig.	Description	Price Each
Mfr.	Mfr. Part No.			
508	V23838-S5-N1	V	Single Sided Mounting, One Piece Stainless Steel Construction, 3D Foot Design Press-Fit Cage for SFP Transceiver	5.90
508	FTA-CLSFXPFPSPF1	-	Clamshell, 5-in-1 for SFP/SFP+/XFP/SFP Transceivers	2.65



Opto Components Finisar

FIRST SENSOR Optical Sensors



First Sensor has over 20 years experience in the development and manufacture of unique sensor solutions offering highest levels of precision and reliability.

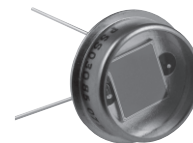
First Sensor Opto Components

DETECTORS - PIN PHOTODIODES

Series 2 - Ultraviolet Enhance Responsivity with Low Dot Current

For quantities greater than listed, call for quote.

MOUSER STOCK NO.	First Sensor Part No.	Order Code	Package Type	Active Area (mm)	Dark Current (nA)	Rise Time (ns)	Price Each	
							1	10
718-PR33-2-TO8	PR33-2-TO8	03-085	TO8	33.5	2	0.6 (µs)	71.88	55.29
718-PS1-2-TO52UV	PS1-2-TO52UV	501103	TO5	1	0.01	50	48.80	34.16
718-PC5-2-TO5	PC5-2-TO5	500046	TO5	2.52	0.3	150	53.30	41.00
718-PS7-2-TO5	PS7-2-TO5	501230	TO5	2.66	0.4	200	53.30	41.00
718-PC10-2-TO5	PC10-2-TO5	500041	TO5	3.57	1	300	60.41	46.47
718-PS13-2-TO5	PS13-2-TO5	501231	TO5	3.5	0.1	400	60.42	46.48
718-PS33-2-TO8	PS33-2-TO8	501232	TO8	5.69	2	800	93.41	71.85
718-PS1002CER2PINWQW	PS100-2-CER-2PINW/QWIN	500047	THD	10x10	1	2000	179.06	149.22



TO8/TO8i

Series 5 - High Speed NIR-Sensitive Photodiodes

For quantities greater than listed, call for quote.

MOUSER STOCK NO.	First Sensor Part No.	Order Code	Package Type	Active Area (mm)	Dark Current (nA)	Rise Time (ns)	Price Each	
							1	10
718-PS0.25-5-TO52-S1	PS0.25-5-TO52-S1	500122	TO52S1	0.5x0.5	0.1	0.4	27.97	25.57
718-PS025-5-TO52S3	PS0.25-5-TO52S3	500119	TO52S3	0.5x0.5	0.1	0.4	27.28	24.94
718-PC055-5-TO52S1	PC0.55-5-TO52S1	501257	TO52S1	0.84	0.2	1	30.46	27.85
718-PS7-5-TO5	PS7-5-TO5	501291	TO5	2.7x2.7	0.5	2	36.10	25.27
718-PS10-5-TO52S1	PS1.0-5-TO52S1	500127	TO52S1	1.0x1.0	0.2	1.5	29.23	20.46
718-PS0.9-5-TO52-S1	PS0.9-5-TO52-S1	03-211	TO52S1	0.95x0.95	0.5	1.5	26.25	24.00
718-PS3.6-5-TO5	PS3.6-5-TO5	03-112	TO5	1.9x1.9	0.4	2.5	28.86	20.20
718-PS11.9-5-TO5	PS11.9-5-TO5	501218	TO5	3.45x3.45	1	3	38.81	27.17
718-PC20-5-TO8	PC20-5-TO8	500097	TO8	5.05	2	3.5	78.49	60.38
718-PS33-5-TO8	PS33-5-TO8	501292	TO8	5.7x5.7	2	3.5	82.53	63.49
718-PS100-5-CEPRING	PS100-5-CEPRING	501433	THD	10x10	2	5	111.58	85.83



TO5

Series 5b - High Speed Blue-Sensitive Photodiodes

For quantities greater than listed, call for quote.

MOUSER STOCK NO.	First Sensor Part No.	Order Code	Package Type	Active Area (mm)	Dark Current (nA)	Rise Time (ns)	Price Each	
							1	10
718-PS10-5B-TO52S13	PS1.0-5B-TO52S1.3	501424	TO52S1	1.0x1.0	0.01	1.3	29.23	20.46
718-PS7-5B-TO5	PS7-5B-TO5	501425	TO5	2.7x2.7	0.5	5	36.10	25.27
718-PC10A-5B-TO5	PC10A-5B-TO5	501426	TO5	3.57	0.5	6	39.09	27.36
718-PS13-5B-TO5	PS13-5B-TO5	501427	TO5	3.5x3.5	1	6	39.09	27.36



THD

Series 5t - High Speed Red-Sensitive Photodiodes

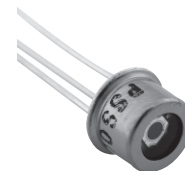
For quantities greater than listed, call for quote.

MOUSER STOCK NO.	First Sensor Part No.	Order Code	Package Type	Active Area (mm)	Dark Current (nA)	Rise Time (ns)	Price Each	
							1	10
718-PS7-5T-TO5	PS7-5T-TO5	501432	TO5	2.7x2.7	0.5	2	36.10	25.27

Series 6 - IR Photodiodes with Minimal Dark Current

For quantities greater than listed, call for quote.

MOUSER STOCK NO.	First Sensor Part No.	Order Code	Package Type	Active Area (mm)	Dark Current (nA)	Rise Time (ns)	Price Each	
							1	10
718-PC1-6-TO52-S1	PC1-6-TO52-S1	500151	TO52S1	1.13	0.05	10	29.37	20.56
718-PC1-6-TO52S3	PC1-6-TO52S3	500482	TO52S3	1.13	0.05	10	28.72	20.10
718-PC2-6-TO52-S1	PC2-6-TO52-S1	03-212	TO52S1	1.6	0.1	12	26.25	24.00
718-PC5-6-TO5	PC5-6-TO5	501214	TO5	2.52	0.1	13	35.99	25.19
718-PS7-6-TO5	PS7-6-TO5	501221	TO5	2.66x2.66	0.1	15	35.99	25.19
718-PS13-6-TO5	PS13-6-TO5	501246	TO5	3.5x3.5	0.2	20	39.00	27.30
718-PC10A-6-TO5	PC10A-6-TO5	501193	TO5	3.57	0.2	20	39.00	27.30
718-PC20-6-TO8	PC20-6-TO8	500113	TO8	5.05	0.3	25	78.04	60.03
718-PS33-6-TO8	PS33-6-TO8	501298	TO8	5.7x5.7	0.4	25	82.03	63.10
718-PC50-6-TO8S	PC50-6-TO8S	500103	TO8	7.98	0.5	30	102.91	79.16
718-PS100-6-SM	PS100-6-SM	01-048	SMD	10x10	0.5	50	78.38	60.29
718-PS100B-6-CERPING	PS100B-6-CERPING	500149	THD	10x10	1	40	109.20	84.00

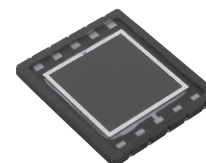


TO52S1/TO52S3

Series 6b - Blue/Green-Sensitive Photodiodes

For quantities greater than listed, call for quote.

MOUSER STOCK NO.	First Sensor Part No.	Order Code	Package Type	Active Area (mm)	Dark Current (nA)	Rise Time (ns)	Price Each	
							1	10
718-PS10-6B-TO52S13	PS1.0-6B-TO52S1.3	501429	TO52S1	1.0x1.0	0.05	10	32.33	22.63
718-PC5-6B-TO5	PC5-6B-TO5	501297	TO5	2.52	0.1	20	39.57	27.70
718-PS7-6B-TO5	PS7-6B-TO5	501242	TO5	2.7x2.7	0.15	25	39.57	27.70
718-PS13-6B-TO5	PS13-6B-TO5	501229	TO5	3.57	0.2	45	42.94	30.06
718-PC10-6B-TO5	PC10-6B-TO5	501241	TO5	3.5x3.5	0.25	50	42.94	30.06
718-PS33-6B-TO8	PS33-6B-TO8	501244	TO8	5.7x5.7	0.6	140	85.24	65.57
718-PS100-6B-CER-2	PS100-6B-CER-2 PIN	501135	THD	10x10	1	200	117.78	90.60
718-PS100-6B-CERPING	PS100-6B-CERPING	501045	THD	10x10	1	200	119.15	91.66



SMD

Series 7 - Fully Depletable IR Photodiodes

For quantities greater than listed, call for quote.

MOUSER STOCK NO.	First Sensor Part No.	Order Code	Package Type	Active Area (mm)	Dark Current (nA)	Rise Time (ns)	Price Each	
							1	10
718-PC5-7-TO8I	PC5-7-TO8I	501285	TO8i	2.52	0.05	45	52.58	36.80
718-PC5-7-TO5	PC5-7-TO5	03-004	TO5	2.52	0.5	45	50.37	35.26
718-PC10-7-TO8I	PC10-7-TO8I	501286	TO8	3.57	0.1	50	55.96	43.04
718-PC10-7-TO5	PC10-7-TO5	03-006	TO5	3.57	0.5	50	53.60	41.23
718-PC20-7-TO8	PC20-7-TO8	501287	TO8	5.05	0.2	50	80.82	62.17
718-PC50-7-TO8	PC50-7-TO8	03-116	TO8	7.98	0.5	55	61.63	47.40
718-PS100-7-CER-PIN	PS100-7-CER-PIN	03-213	THD	10x10	1.5	50	106.97	82.28
718-PS100-7-SMD	PS100-7-SMD	501317	SMD	10x10	1.5	50	116.96	97.46
718-PC100-7-SM	PC100-7-SM	01-007	SMD	10x10	5	55	68.63	52.79

FIRST SENSOR Optical Sensors

First Sensor has over 20 years experience in the development and manufacture of unique sensor solutions offering highest levels of precision and reliability.

DETECTORS - PIN PHOTODIODES (CONT.)

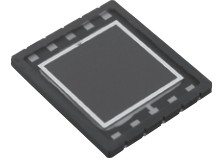
Series 7 - Fully Depletable IR Photodiodes

For quantities greater than listed, call for quote.

MOUSER STOCK NO.	First Sensor Part No.	Order Code	Package Type	Active Area (mm)	Dark Current (nA)	Rise Time (ns)	Price Each			
							1	5	10	50
718-PS100B-7-CERPINE	PS100B-7-CERPINE	501400	THD	10x10	3	500	107.83	91.77	82.94	65.35
718-X100-7-SMD	X100-7-SMD	501401	SMD	10x10	3	500	107.83	91.77	82.94	65.35



THD



SMD

DETECTORS - AVALANCHE PHOTODIODES (APD)

Series 8 - Optimized for High Cut-Off Frequencies – 850nm

For quantities greater than listed, call for quote.

MOUSER STOCK NO.	First Sensor Part No.	Order Code	Package Type	Active Area (mm)	Dark Current (nA) M = 100	Rise Time (ns) M = 100, 20V 50Ω	Price Each			
							1	5	10	50
718-AD100-8-S1	AD100-8-S1	500011-02	TO52S1	0.1	0.05	<0.180	121.39	111.48	101.16	81.53
718-AD230-8-S1	AD230-8-S1	500019-02	TO52S1	0.23	0.3	0.18	130.49	119.84	108.74	87.64
718-AD500-8-S1	AD500-8-S1	500030-02	TO52S1	0.5	0.5	0.35	135.30	124.26	112.75	90.87
718-AD800-8-S1	AD800-8-S1	500947	TO52S1	0.8	2	0.7	211.24	193.99	176.03	141.88
718-AD1100-8-TO52-S1	AD1100-8-TO52-S1	501117	TO52S1	1.13	4-6	1	217.70	205.38	194.38	155.50
718-AD1900-8-TO5I	AD1900-8-TO5I	500015	TO5i	1.95	15	1.4	310.90	293.30	277.59	222.07



TO52S1/TO52S3



TO5/TO52/TO8S

Series 9 - With Enhanced NIR Sensitivity – 900nm

For quantities greater than listed, call for quote.

MOUSER STOCK NO.	First Sensor Part No.	Order Code	Package Type	Active Area (mm)	Dark Current (nA) M = 100	Rise Time (ns) M = 100, 20V 50Ω	Price Each			
							1	5	10	50
718-AD230-9-TO52-S1	AD230-9-TO52-S1	500020-02	TO52S1	0.23	0.5	0.5	139.40	128.02	116.16	93.63
718-AD500-9-TO52-S1	AD500-9-TO52-S1	500031-02	TO52S1	0.5	0.8	0.55	145.81	133.91	121.51	97.94
718-AD800-9-TO52-S1	AD800-9-TO52-S1	501196	TO52S1	0.8	2	0.9	211.76	199.77	189.07	151.25
718-AD1500-TO5I	AD1500-TO5I	501208	TO5i	1.5	2	2	318.61	300.58	284.47	227.58



TO5i

Series 10 - With Enhanced NIR Sensitivity – 1064nm

For quantities greater than listed, call for quote.

MOUSER STOCK NO.	First Sensor Part No.	Order Code	Package Type	Active Area (mm)	Dark Current (nA) M = 100	Rise Time (ns) M = 100, 20V 50Ω	Price Each			
							1	5	10	50
718-AD100-10-TO5I	AD100-10-TO5I	500953	TO5i	0.5	1.5	4	217.53	205.22	194.22	155.38
718-AD800-10-TO5I	AD800-10-TO5I	501233	TO5i	0.8	3	5	307.06	289.68	274.16	219.33
718-AD1500-10-TO5I	AD1500-10-TO5I	500883	TO5i	1.5	7	5	434.92	410.30	388.32	310.66



TO5i

Series 12 - With Enhanced Red Sensitivity

For quantities greater than listed, call for quote.

MOUSER STOCK NO.	First Sensor Part No.	Order Code	Package Type	Active Area (mm)	Dark Current (nA) M = 100	Rise Time (ns) M = 100, 20V 50Ω	Price Each			
							1	5	10	25
718-AD230-12-TO52S11	AD230-12-TO52S1.1	501162	TO52S1	0.23	0.2	0.18	130.49	119.84	108.74	87.64
718-AD500-12-TO52S11	AD500-12-TO52S1.1	501163	TO5i	0.8	0.3	0.35	135.30	124.26	112.75	90.87



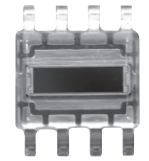
TO5i

DETECTORS - QUADRANT PHOTODIODES (QP)

Series 6 - Low Dark Current

For quantities greater than listed, call for quote.

MOUSER STOCK NO.	First Sensor Part No.	Order Code	Package Type	Active Area (mm)	Dark Current (nA) M = 100	Rise Time (ns) M = 100, 20V 50Ω	Price Each			
							1	5	10	25
718-QP1-6-TO52	QP1-6-TO52	501222	TO52	1.13	0.1	20	46.85	36.44	32.79	25.23
718-QP5-6-TO5	QP5-6-TO5	501040	TO5	2.52	0.2	20	57.00	44.33	39.90	30.69
718-QP5.8-6-TO5	QP5.8-6-TO5	03-073	TO5	4x1.2x1.2	0.4	20	44.54	34.64	31.18	23.98
718-QP10-6-TO5	QP10-6-TO5	501256	TO5	3.57	0.5	20	61.20	52.09	47.08	37.09
718-QP5.6-TO5	QP5.6-TO5	501254	TO5	3.57	0.5	20	53.46	45.50	41.12	32.40
718-QP20-6-TO8S-FW	QP20-6-TO8S-FW	501436	TO8S	4.9	1	30	120.70	102.72	92.84	73.15
718-QP20-6-TO8S	QP20-6-TO8S	500140	TO8S	5.05	1	30	120.70	102.72	92.84	73.15
718-QP50-6-18U-TO8	QP50-6-18U-TO8	501416	TO8S	7.8	2	40	138.95	127.61	115.79	93.33
718-QP50-6-18U-TO8SH	QP50-6-18U-TO8S-H	500732	TO8S	7.8	2	40	138.95	127.61	115.79	93.33
718-QP50-6-42U-TO8SH	QP50-6-42U-TO8S-H	500142	TO8S	7.8	2	40	138.95	127.61	115.79	93.33
718-QP50-6-TO8	QP50-6-TO8	501417	TO8S	7.8	2	40	138.95	127.61	115.79	93.33



SO8

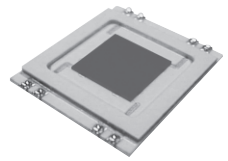


SO16

DETECTORS - POSITION-SENSITIVE DIODES (PSD)

For quantities greater than listed, call for quote.

MOUSER STOCK NO.	First Sensor Part No.	Order Code	Package Type	Active Area (mm)	Inter-electrode Resistance	Rise Time (ns) 865nm, 50Ω	Price Each			
							1	10	25	50
718-OD3.5-6SO8	OD3.5-6SO8	500588	SO8	3.5x1	50 ± 20	200	17.25	15.77	11.04	9.20
718-OD6-6-SO16	OD6-6-SO16	501278	SO16	6x1	85 ± 20	200	31.08	28.42	19.89	16.58
718-DL16-7-CER-SMD	DL16-7-CER-SMD	500162	CERsmd	4x4	10	500	155.73	129.77	111.23	104.59
718-DL100-7-SMD	DL100-7-SMD	500056	CERsmd	10x10	12	4000	221.98	198.19	170.75	158.56
718-DL400-7-CERSMDG	DL400-7-CERSMDG	500068	CERsmd	20x20	12	4000	776.03	688.41	656.64	-



CERsmd

LITE-ON LED Optocouplers



RoHS Compliant This page of product is RoHS compliant.

The Lite-On Optocoupler products feature high collector emitter and I/O isolation voltages. They are suitable for a wide-range of applications and are ideal as signal transmitters between circuits of different potentials and impedances. All Lite-On optocouplers have safety approval certificates from VDE, CSA, UL, TUV, BSI, FIMKO, NEMKO, DEMIKO and SEMIKO.

HIGH SPEED PHOTOCOUPPLERS

For quantities greater than listed, call for quote.

MOUSER STOCK NO.	Lite-On Part No.	Package	IF (mA)	Max Power Dissipation	Reverse Diode Voltage	Rise/Fall Times (typ.)	Isolation Voltage (VRMS)	Max. Baud Rate (Mbps)	Price Each		
									1	10	100
859-LTV-0501	LTV-0501	SO8	25	100mW	5V	-	3750	1	1.62	1.46	.90
859-LTV-0601	LTV-0601	SO8	20	85mW	5V	20/6.6	3750	10	1.66	1.49	.945
859-LTV-0701	LTV-0701	SO8	20	100mW	5V	20/6.6	3750	100	1.54	1.38	.90

PHOTO TRANSISTOR

For quantities greater than listed, call for quote.

MOUSER STOCK NO.	Lite-On Part No.	Package	IF (mA)	BVCEO (V)	BVECO (V)	Rise/Fall Times (typ.)	Isolation Voltage (VRMS)	Current Transfer Ratio	Price Each		
									1	10	100
Photo Transistor Output											
859-CNY17F-3S	CNY17F-3S	SMT-6	60	70	7.0	5/5	5000	100 /-/200	.24	.21	.166
859-CNY17F-4	CNY17F-4	DIP-6	60	70	7.0	5/5	5000	160/-/320	.23	.20	.165
859-CNY17F-4S	CNY17F-4S	SMT-6	60	70	7.0	5/5	5000	160/-/320	.22	.193	.152
859-H11D1S	H11D1S	SMT-6	60	300	7.0	5/5	5000	20/-/-	.54	.483	.386
859-LTV-356T	LTV-356T	MINI-FLAT 4	50	80	6.0	4/3	3750	50/-/600	.21	.192	.148
859-LTV-357T	LTV-357T	MINI-FLAT 4	50	35	6.0	4/3	3750	50/-/600	.21	.192	.148
859-LTV-358T	LTV-358T	MINI-FLAT 4	50	120	6.0	4/3	3750	20/-/-	.30	.272	.21
859-LTV-702FS	LTV-702FS	SMT-6	60	70	6.0	2/2	5000	40/-/320	.20	.18	.142
859-LTV-702V	LTV-702V	DIP-6	70	70	6.0	2/2	5000	40/-/320	.19	.172	.142
859-LTV-702VS	LTV-702VS	SMT-6	70	70	6.0	2/2	5000	40/-/320	.20	.18	.142
859-LTV-816	LTV-816	DIP-4	50	80	6.0	4/3	5000	50/-/600	.18	.16	.124
859-LTV-816S	LTV-816S	SMT-4	50	80	6.0	4/3	5000	50/-/600	.18	.165	.13
859-LTV-817	LTV-817	DIP-4	50	35	6.0	4/3	5000	50/-/600	.18	.16	.124
859-LTV-817S	LTV-817S	SMT-4	50	35	6.0	4/3	5000	50/-/600	.18	.165	.13
859-LTV-826	LTV-826	DIP-8	50	80	6.0	4/3	5000	50/-/600	.35	.315	.225
859-LTV-826S	LTV-826S	8 PIN	50	80	6.0	4/3	5000	50/-/600	.36	.325	.231
859-LTV-827	LTV-827	DIP-8	50	35	6.0	4/3	5000	50/-/600	.35	.315	.225
859-LTV-846	LTV-846	DIP-16	50	80	6.0	4/3	5000	50/-/600	.70	.629	.498
859-LTV-846S	LTV-846S	SMT-16	50	80	6.0	4/3	5000	50/-/600	.71	.639	.508
859-LTV-847	LTV-847	DIP-16	50	35	6.0	4/3	5000	50/-/600	.70	.629	.498
859-LTV-847S	LTV-847S	SMT-16	50	35	6.0	4/3	5000	50/-/600	.71	.639	.508
859-LTV-851S	LTV-851S	SMT-4	50	300	6.0	4/5	5000	40/-/-	.49	.438	.35
Photo Transistor Output/AC Input											
859-LTV-354T	LTV-354T	MINI-FLAT 4	±50	35	6.0	4/3	3750	20/-/400	.28	.254	.202
859-LTV-733	LTV-733	DIP-6	±50	35	6.0	4/3	5000	20/-/300	.39	.35	.28
859-LTV-733S	LTV-733S	SMT-6	±50	35	6.0	4/3	5000	20/-/300	.40	.36	.29
859-LTV-8141S	LTV-8141S	SMT-4	±50	35	6.0	60/53	5000	600/-/7500	.46	.403	.324
859-LTV-814H	LTV-814H	DIP-4	±150	35	6.0	4/3	5000	20/-/80	.28	.254	.202
859-LTV-814S	LTV-814S	SMT-4	±50	35	6.0	4/3	5000	20/-/300	.25	.228	.184
859-LTV-824	LTV-824	DIP-8	±50	35	6.0	4/3	5000	20/-/300	.49	.438	.35
859-LTV-824H	LTV-824H	DIP-8	±150	35	6.0	4/3	5000	20/-/80	.56	.498	.402
859-LTV-824HS	LTV-824HS	SMT-8	±150	35	6.0	4/3	5000	20/-/80	.57	.508	.412
859-LTV-824S	LTV-824S	SMT-8	±50	35	6.0	4/3	5000	20/-/300	.50	.448	.36
859-LTV-844	LTV-844	DIP-16	±50	35	6.0	4/3	5000	20/-/300	.98	.875	.70
859-LTV-844H	LTV-844H	DIP-16	±150	35	6.0	4/3	5000	20/-/80	1.12	.998	.796
859-LTV-844HS	LTV-844HS	SMT-16	±150	35	6.0	4/3	5000	20/-/80	1.12	.998	.803
859-LTV-844S	LTV-844S	SMT-16	±50	35	6.0	4/3	5000	20/-/300	.99	.885	.71

PHOTO DARLINGTON

For quantities greater than listed, call for quote.

MOUSER STOCK NO.	Lite-On Part No.	Package	IF (mA)	BVCEO (V)	BVECO (V)	Rise/Fall Times (typ.)	Isolation Voltage (VRMS)	Current Transfer Ratio	Price Each		
									1	10	100
Photo Darlington Output											
859-LTV-352T	LTV-352T	MINI-FLAT 4	50	300	0.1	20/100	3750	1000/-/-	.48	.425	.346
859-LTV-355T	LTV-355T	MINI-FLAT 4	50	35	6.0	60/53	3750	600/-/7500	.28	.255	.202
859-LTV-815	LTV-815	DIP-4	50	35	6.0	60/53	5000	600/-/7500	.22	.202	.158
859-LTV-815S	LTV-815S	SMT-4	50	35	6.0	60/53	5000	600/-/7500	.23	.212	.168
859-LTV-825	LTV-825	DIP-8	50	35	6.0	60/53	5000	600/-/7500	.44	.395	.316
859-LTV-825S	LTV-825S	SMT-8	50	35	6.0	60/53	5000	600/-/7500	.46	.403	.324
859-LTV-845S	LTV-845S	SMT-16	50	35	6.0	60/53	5000	600/-/7500	.89	.798	.64
859-LTV-852S	LTV-852S	SMT-4	50	300	0.1	100/20	5000	1000/4000/15000	.49	.438	.35
Photo Darlington Output/AC Input											
859-LTV-8241S	LTV-8241S	SMT-8	±50	35	6.0	60/53	5000	600/-/7500	.89	.798	.64

PHOTOTRIAC OUTPUT

For quantities greater than listed, call for quote.

MOUSER STOCK NO.	Lite-On Part No.	Package	dv/dt V/μs	VDRM (V)	IF (mA)	Peak On-State Voltage (Max.)	Isolation Voltage (VRMS)	Trigger Current (mA) (typ./Max.)	Price Each		
									1	10	100
859-MOC3020	MOC3020	DIP-6	800	400	50.0	3	5000	15/30	.44	.395	.281
859-MOC3020S	MOC3020S	SMT-6	800	400	50.0	3	5000	15/30	.46	.403	.288
859-MOC3021	MOC3021	DIP-6	800	400	50.0	3	5000	8/15	.44	.386	.247
859-MOC3022	MOC3022	DIP-6	800	400	50.0	3	5000	-/10	.44	.386	.247
859-MOC3022S	MOC3022S	SMT-6	800	400	50.0	3	5000	-/10	.46	.403	.324
859-MOC3023	MOC3023	DIP-6	800	400	50.0	3	5000	-/5	.44	.395	.27
859-MOC3023S	MOC3023S	SMT-6	800	400	50.0	3	5000	-/5	.46	.403	.276
859-MOC3052	MOC3052	DIP-6	1000	600	50.0	3	5000	-/10	.53	.473	.336
859-MOC3063	MOC3063	DIP-6	1500	600	50.0	3	5000	-/5	.46	.41	.315
859-MOC3063S	MOC3063S	SMT-6	1500	600	50.0	3	5000	-/5	.47	.42	.321

AMBIENT LIGHT SENSORS

For quantities greater than listed, call for quote.

MOUSER STOCK NO.	Lite-On Part No.	Package	Supply Voltage (V)	Supply Current (uA)	Frequency (kHz)	Standby Current (uA)	Fall Time (ns)	Rise Time (ns)	Operating Temperature (°C)	Price Each		
										1	10	100
859-LTR-329ALS-01	LTR-329ALS-01	ChipLED-4	3.6	220	400	5	300	300	-30 to +70	.67	.60	.48
859-LTR-303ALS-01	LTR-303ALS-01	ChipLED-6	3.6	220	400	5	300	300	-30 to +70	.70	.63	.50

FLUID SENSORS

For quantities greater than listed, call for quote.

MOUSER STOCK NO.		Fig.	Tube Size (in)	Lead Type	Wave-length	Sensor	Price Each		
Mfr.	Mfr. Part No.						1	10	100
828	—OPB350	A	0.125	PCB Pins	890nm	Transistor	4.57	4.20	4.07
828	—OPB350L250	A	0.25	PCB Pins	890nm	Transistor	5.02	4.74	4.47
828	—OPB350W062Z	B	0.062	Wire Leads	890nm	Transistor	6.70	6.33	5.96
828	—OPB350W250Z	B	0.25	Wire Leads	890nm	Transistor	6.68	6.61	5.94

REFLECTIVE OBJECT SENSORS

For quantities greater than listed, call for quote.

MOUSER STOCK NO.		Fig.	Cont. Forward Current (mA)	Sensor	Forward Voltage (VF)	Price Each		
Mfr.	Mfr. Part No.					1	10	100
828	—OPB733TR	C	50	Transistor	1.7	3.47	3.35	3.24
828	—OPB700Z	D	100	Transistor	1.7	7.87	7.44	7.00
828	—OPB701ALZ	D	100	Transistor	1.7	10.06	9.15	8.95
828	—OPB710	E	50	Transistor	1.5	6.44	6.19	5.73
828	—OPB742	F	40	Transistor	1.7	2.25	2.12	2.00
828	—OPB745	F	40	Transistor	1.7	2.66	2.51	2.37
828	—OPB716Z	G	50	Transistor	4.75	6.34	5.99	5.64
828	—OPB770TZ	H	10	Logic	4.75	6.62	6.53	5.89
828	—OPB707A	-	50	Darlington	1.7	2.43	2.21	2.16

HOLLOGIC® HALL EFFECT SENSORS

For quantities greater than listed, call for quote.

MOUSER STOCK NO.		Fig.	Operating Point (Min./Typ./Max.)	Release Point	Supply Curr. (Typ./Max.)	Price Each		
Mfr.	Mfr. Part No.					1	10	100
828	—OH090U	I	0/90/180	-100/65/100	6/9(mA)	1.75	1.67	1.56
828	—OHS3140U	I	45/-/270	25/-/250	4/7(mA)	2.03	1.95	1.81

OPTICAL SWITCHES

For quantities greater than listed, call for quote.

MOUSER STOCK NO.		Fig.	Output Type	Slot Width (in.)	Lead Spacing (in.)	Price Each		
Mfr.	Mfr. Part No.					1	10	100
828	—OPB420AZ	J	Transistor	45° Ref.	-	4.79	4.52	4.26
828	—OPB420BZ	J	Transistor	45° Ref.	-	4.75	4.49	4.23
828	—OPB620	K	Transistor	0.19	0.325	1.40	1.32	1.25
828	—OPB804	K	Transistor	0.15	0.31	1.48	1.40	1.32
828	—OPB818	K	Transistor	0.20	0.41	2.47	2.25	1.99
828	—OPB848	K	Transistor	0.10	0.31	2.02	2.00	1.80
828	—OPB610	K	Transistor	0.15	0.28	1.40	1.32	1.25
828	—OPB680	L	Transistor	Flag	0.28	3.64	3.30	3.24
828	—OPB819Z	M	Transistor	1.26	-	5.36	5.18	4.77
828	—OPB930W55Z	N	Photologic®	0.125	-	4.88	4.61	4.34
828	—OPB829DZ	-	Transistor	0.125	24"/26AWG Wire	3.35	3.23	2.98
828	—OPB800L55	-	Transistor	0.375	24"/26AWG Wire	2.27	2.18	2.02
828	—OPB825	-	Transistor	0.160	0.300	1.58	1.50	1.41

FIBER OPTIC LED

For quantities greater than listed, call for quote.

MOUSER STOCK NO.		Fig.	Output Power Min/Typ	Fiber	Lead Spacing (in.)	Price Each		
Mfr.	Mfr. Part No.					1	10	100
828	—OPF1414T	P	13.2µW/26.0µW	50/125	100	14.90	14.08	13.25
828	—OPF370A	O	25.0µW/29.0µW	50/125	100	8.91	7.29	7.26
828	—OPF372A	Q	25.0µW/29.0µW	50/125	100	17.75	17.61	15.78

FIBER OPTIC PIN PHOTODIODES AND RECEIVERS

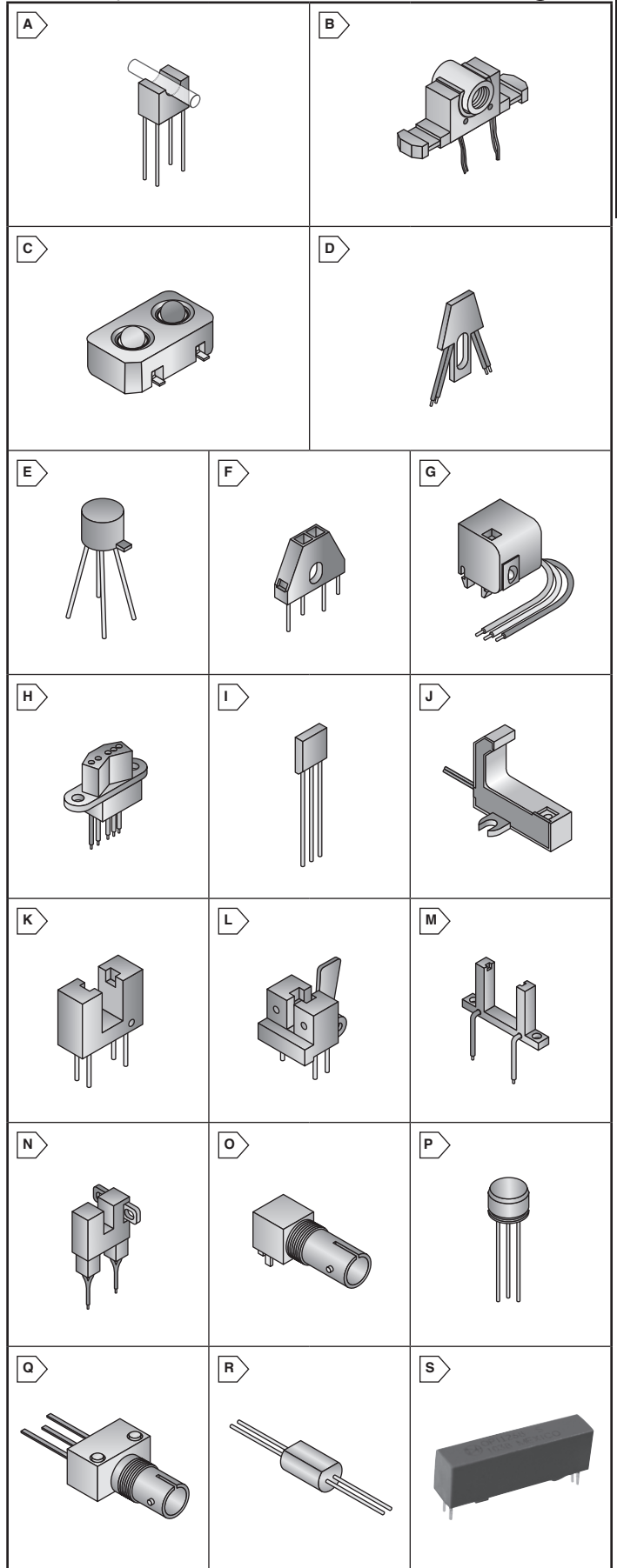
For quantities greater than listed, call for quote.

MOUSER STOCK NO.		Fig.	Responsively Min./Typ.	Output Rise Time (ns)	Output Current (mA)	Price Each		
Mfr.	Mfr. Part No.					1	10	100
828	—OPF2416T	P	5.3/7.0 (mV/µW)	3.3	25	13.09	12.60	11.64
828	—OPF470	O	.45/.55 (A/W)	6.0	-	8.19	8.19	7.28
828	—OPF480	P	.45/.55 (A/W)	1.0	-	6.88	6.70	6.12
828	—OPF482	Q	.45/.55 (A/W)	1.0	-	13.79	13.28	12.26

OPTOISOLATORS

For quantities greater than listed, call for quote.

MOUSER STOCK NO.		Fig.	LED Peak Wavelength	Sensor	Isolation Voltage	Price Each		
Mfr.	Mfr. Part No.					1	10	100
828	—OP11264A	R	890nm	Transistor	10KV	2.25	2.12	2.00
828	—OP1120	R	890nm	Transistor	15KV	8.91	8.33	7.76
828	—OP11268S	S	850nm	Open Collector	20KV	7.72	6.75	6.37



OSRAM Infrared Emitters



This page of product is RoHS compliant.

OSRAM

Opto Semiconductors

REFLECTIVE SENSORS

MOUSER STOCK NO.		Fig.	Package / Case	λ (nm)	Rise/Fall Time	Maximum Collector Current	Power Dissipation	Sensing Distance (mm)	Forward Voltage	Forward Current	Output Device	Price Each	
Mfr.	Mfr. Part No.											1	10
720	—SFH7050	A	SMD-8	950	12/12ns	-	-	-	1.3	20mA	Photodiode	2.71	2.27
720	—SFH9206	B	SMD-6	940	30/40us	10mA	150mW	1-5	1.45	50mA	Phototransistor	1.24	1.04
720	—SFH9245	B	SMD-6	940	.02/.01us	-	175mW	1	1.45	50mA	Pull Up, Inverter	1.62	1.36

For quantities greater than listed, call for quote.

PROXIMITY AND AMBIENT LIGHT SENSORS

MOUSER STOCK NO.		Fig.	Package	IR λ (nm)	Ambient Light Sensor (lx)	Detection Range (mm)	Interface	Quiescent Current (µA)	Supply Voltage (V)	Dimensions (mm)	Price Each	
Mfr.	Mfr. Part No.										1	10
720	—SFH7770E6	C	SMD	850	0.03-65000	200	I2C	2	-0.3-4.5	2.8x2.8x0.9	1.88	1.58
720	—SFH7776	D	SMD	850	0.0022-73000	120	I2C	0.8	2.3-3.6	4x2.1x1.35	1.88	1.58
720	—SFH7779	E	COB	940	0.0022-73000	160	I2C	0.8	2.3-3.6	4.04x2.2x1.25	1.88	1.58

For quantities greater than listed, call for quote.

AMBIENT LIGHT SENSOR

MOUSER STOCK NO.		Fig.	IR λ (nm)	Ambient Light Sensor (lx)	Detection range (mm)	Interface	Quiescent Current (µA)	Supply Voltage (V)	Dimensions (mm)	Price Each	
Mfr.	Mfr. Part No.									1	10
720	—SFH2270R	F	560	5-100000	-	-	-	-	3.4x3x2.1	1.30	1.09

For quantities greater than listed, call for quote.

PHOTOTRANSISTORS

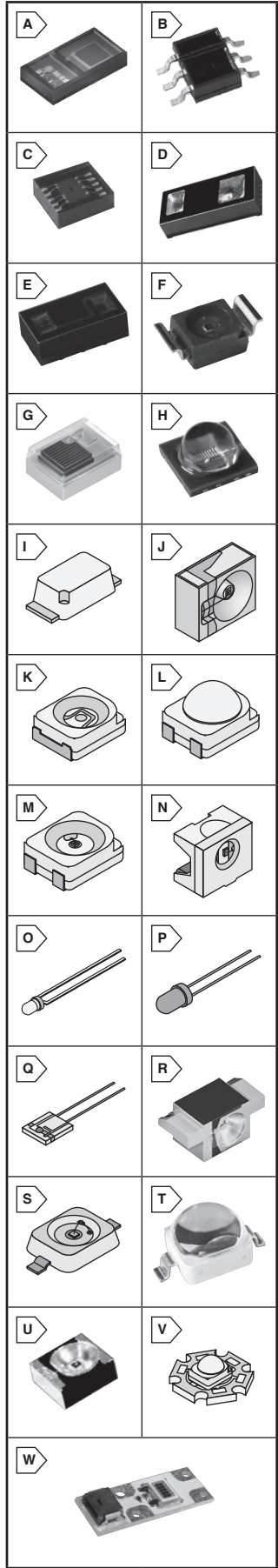
MOUSER STOCK NO.		Package	λ (nm)	Max. On-State Collector Current	Max. Dark Current	Max. Collector Current	Half Angle	Type	Price Each	
Mfr.	Mfr. Part No.								1	10
720	—SFH310FA-23	3mm(T1)	890	50mA	50nA	50mA	25°	IR Chip	.28	.225
720	—SFH3010Z	-	860	15mA	50nA	15mA	80°	IR Chip	.57	.482
720	—SFH320FA-3-Z	PLCC-2	980	15mA	50nA	15mA	60°	IR Chip	.58	.492
720	—SFH325FA-Z	PLCC-2	980	15mA	50nA	15mA	60°	IR Chip	.50	.424
720	—SFH3400-2/3-Z	DIL	850	50mA	100nA	50mA	60°	IR Chip	.75	.607
720	—SFH3711	Chipled	570	20mA	50nA	20mA	60°	Silicon NPN	.66	.56
720	—SFH5140F	Miniature Sidelooker	950	-	-	-	12°	Optoschmitt	.71	.57

For quantities greater than listed, call for quote.

INFRARED EMITTERS

MOUSER STOCK NO.		Fig.	Package	λ (nm)	Radiant Intensity	Half Angle	Rise/Fall Time (typ.)	Forward Voltage	Forward Current	Price Each	
Mfr.	Mfr. Part No.									1	10
Smallest Infrared LED Emitters											
720	—SFH4710	G	SMD	850	63 mW/sr	65°	15ns	1.6V	500mA	3.57	3.00
720	—SFH4715S	H	SMT	860	500 (≥320)mW/sr	45°	7/14ns	3V	1mA	9.72	8.15
720	—SFH4715	H	SMD	850	250mW/sr	45°	7/14ns	1.5V	1mA	7.77	6.52
Surface Mount Infrared Emitters											
720	—SFH4050-Z	I	SmartLED 0603	880	7 (≥4)mW/sr	80°	12ns	1.5V	100mA	.92	.776
720	—SFH4650-Z	J	MIDLED	850	40 (≥16)mW/sr	20°	12ns	1.5V	100mA	.97	.815
720	—SFH4655-Z	J	MIDLED	850	40 (≥16)mW/sr	20°	12ns	1.5V	100mA	.97	.815
720	—SFH4646Z	-	MIDLED	940	40mW/sr	15°	12ns	2.4V	70mA	.85	.718
720	—SFH4641Z	J	MIDLED	940	40mW/sr	15°	12ns	1.6V	70mA	.85	.718
720	—SFH4651Z	-	MIDLED	940	40mW/sr	15°	12ns	2.4V	70mA	.85	.718
720	—SFH4243-Z	K	TOPLED PLCC-2	940	11 (≥4)mW/sr	60°	11ns	1.5V	70mA	.46	.392
720	—SFH4259-Z	L	TOPLED PLCC-4	850	110mW/sr	15°	12ns	1.5V	100mA	1.06	.892
720	—SFH4250S	M	TOPLED PLCC-4	850	22mW/sr	60°	20/10ns	3V	70mA	1.15	.97
720	—SFH4240-Z	M	TOPLED PLCC-4	940	15 (≥10)mW/sr	60°	11ns	1.5V	100mA	.92	.776
720	—SFH4250-Z	M	TOPLED PLCC-4	950	5 (≥2.5)mW/sr	60°	500ns	1.3V	100mA	.92	.776
720	—SFH4258-Z	L	TOPLED PLCC-4	850	90 (≥40)mW/sr	15°	12ns	1.5V	100mA	1.06	.892
720	—SFH4258S	L	TOPLED PLCC-4	850	100mW/sr	15°	15/15ns	3V	70mA	1.27	1.07
720	—SFH4259S	L	TOPLED PLCC-4	850	60mW/sr	25°	15/15ns	3V	70mA	1.27	1.07
720	—SFH4244-Z	N	SIDELED	940	11 (≥4)mW/sr	60°	11ns	1.5V	70mA	.61	.511
720	—SFH4255-Z	N	SIDELED	850	15 (≥10)mW/sr	60°	12ns	1.5V	100mA	.92	.776
Through Hole Infrared Emitters											
720	—SFH4350	O	3mm (T1)	850	70 (≥40)mW/sr	13°	12ns	1.5V	100mA	.82	.69
720	—SFH4545	P	5mm (T1 ¼)	940	500mW/sr	5°	11ns	1.5V	100mA	.41	.329
720	—SFH4546	P	5mm (T1 ¼)	940	130mW/sr	20°	11ns	1.5V	100mA	.41	.329
720	—SFH4557	P	5mm (T1 ¼)	850	55mW/sr	30°	12/12ns	1.5V	100mA	.41	.329
720	—SFH4550	P	5mm (T1 ¼)	850	700 (≥400)mW/sr	3°	12ns	1.5V	100mA	.53	.428
720	—SFH4556	P	5mm (T1 ¼)	850	130 (≥40)mW/sr	20°	12ns	1.5V	-	.41	.329
720	—SFH4547	P	5mm (T1 ¼)	940	50mW/sr	30°	12/12ns	1.5V	100mA	.41	.329
720	—IRL81A	Q	Sidelooker	880	2.5 (≥1)mW/sr	25°	600ns	1.5V	20mA	.85	.718
High Power Infrared Emitters											
720	—SFH4043	-	ChipLed	940	6mW/sr	70°	12/12ns	1.6V	70mA	.72	.603
720	—SFH4045N	-	ChipLed	940	90mW/sr	9°	12/12ns	1.6V	70mA	.78	.661
720	—SFH4046	-	ChipLed	940	30mW/sr	22°	12/12ns	1.6V	70mA	.78	.661
720	—SFH4056NQ	-	ChipLed	850	35mW/sr	22°	12/12ns	1.6V	70mA	.78	.661
720	—SFH4140	R	MIDLED	850	20 mW/sr	25°	12/12ns	1.5	100mA	1.33	1.11
720	—SFH4059	-	ChipLed	850	100mW/sr	10°	12/12ns	1.6V	70mA	.78	.661
720	—SFH4235	S	IR Dragon	850	320mW/sr	60°	7/40ns	3V	1000mA	9.08	7.61
720	—SFH4257R	E	PLCC-2	850	9 mW/sr	120°	12/12ns	1.5	100mA	1.07	.898
720	—SFH4783	T	Dragon Dome	850	3200 mW/sr	60°	14ns	1.9V	1000mA	9.60	8.05
720	—SFH4232-Z	S	IR Dragon	850	180mW/sr	60°	10ns	1.8V	1000mA	5.71	4.57
720	—SFH4451	U	MIDLED	850	55mW/sr	17°	12ns	1.5V	100mA	.82	.69
720	—SFH4253R	E	TOPLED Reverse Gull Wing	850	12 mW/sr	60°	12ns	1.6V	70mA	.69	.584
720	—SFH4232A	S	SMD	850	205 mW/sr	60°	14ns	1.9V	1000mA	7.54	6.32
720	—SFH4716S	-	SMT	850	225mW/sr	75°	7/14ns	2.9V	1000mA	9.72	8.15
720	—SFH4725S	G	SMT	940	500mW/sr	45°	7/14ns	2.8V	100mA	9.72	8.15
Infrared Emitter with LED											
720	—SFH4441	-	Mini MIDLED	940	65mW/sr	17°	12/12ns	1.5V	100mA	.82	.69
Ultra High Power Infrared Emitter Ostar											
720	—SFH4750	V	Ostar Lighting	850	1000mW/sr	70°	10ns	9.5V	1000mA	56.51	45.20
720	—SFH4761	W	OSTAR Observation	850	1400 mW/sr	60°	10ns	15.5V	1000mA	63.54	50.83

For quantities greater than listed, call for quote.



RENESAS/CEL Optocouplers

RoHS Compliant This page of product is RoHS compliant.



California Eastern Laboratories

SINGLE TRANSISTOR OPTOCOUPLEDERS

Applications:

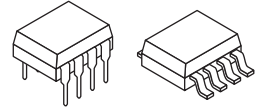
- Can be used as an interface circuit for various instrumentations and control equipment in the following:
 - AC line/digital logic
 - Twisted pair line receiver
 - Digital logic/digital logic
 - Telephone/telegraph line receiver

Features:

- High isolation voltage
- High current transfer ratio
- Low cost
- High speed switching

Safety Standards:

UL = UL Recognized (UL File No.: E72422(S))
 UL/BSI = UL Recognized and BSI Approved
 UL File No.: E72422(S)/BSI Approved No.: 7112/7420

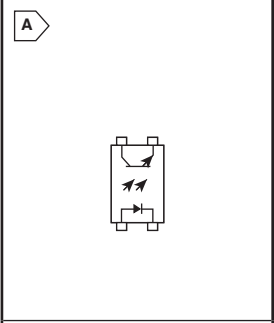


DC Optocouplers, Low Speed Logic Applications

◆ Surface Mount

For quantities greater than listed, call for quote.

MOUSER STOCK NO.	CEL Part No.	Fig.	Package	Safety Standard	IF (mA)	VCEO	VECO	Typical Rise/Fall t_r / t_f (μ s)	Current Transfer Ratio (%)	Price Each			
										1	10	100	500
551-PS2501-1-A	PS2501-1-A	A	DIP-4	UL	80	80	7.0	3.0/5.0	80 to 600	.33	.28	.24	.21
551-PS2501-1-H-A	PS2501-1-H-A	A	DIP-4	UL	80	80	7.0	3.0/5.0	80 to 160	.33	.28	.24	.21
551-PS2501-1-L-A	PS2501-1-L-A	A	DIP-4	UL	80	80	7.0	3.0/5.0	200 to 400	.33	.28	.24	.21
551-PS2501A-1-A	PS2501A-1-A	A	DIP-4	UL	30	70	5.0	5.0/7.0	50 to 400	.32	.28	.24	.20
◆ 551-PS2501L-1-A	PS2501L-1-A	A	DIP-4	UL	80	80	7.0	3.0/5.0	80 to 600	.46	.39	.34	.29
◆ 551-PS2501L-1-H-A	PS2501L-1-H-A	A	DIP-4	UL	80	80	7.0	3.0/5.0	200 to 400	.44	.37	.32	.28
◆ 551-PS2501-4-A	PS2501-4-A	B	DIP-16	UL	80	80	7.0	3.0/5.0	80 to 600	1.76	1.51	1.30	1.04
◆ 551-PS2501L-4-A	PS2501L-4-A	B	DIP-16	UL	80	80	7.0	3.0/5.0	80 to 600	1.84	1.58	1.36	1.07
◆ 551-PS2501AL-1-A	PS2501AL-1-A	A	DIP-4	UL	30	70	5.0	3.0/5.0	50 to 400	.38	.32	.28	.24
◆ 551-PS2801C-1-A	PS2801C-1-A	A	DIP-4	UL	30	80	5.0	5.0/7.0	50 to 400	.50	.46	.37	.32
◆ 551-PS2801C-4-A	PS2801C-4-A	B	SSOP-16	UL	30	80	5.0	5.0/7.0	50 to 400	2.26	2.10	1.68	1.51

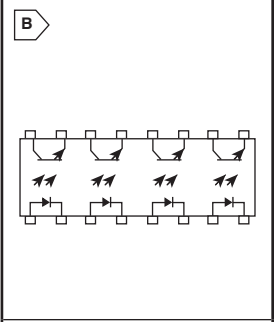


AC Optocouplers High Isolation Voltage

◆ Surface Mount

For quantities greater than listed, call for quote.

MOUSER STOCK NO.	CEL Part No.	Fig.	Package	Safety Standard	IF (mA)	VCEO	VECO	Typical Rise/Fall t_r / t_f (μ s)	Current Transfer Ratio (%)	Price Each			
										1	10	100	500
◆ 551-PS2501L-1-F3-L-A	PS2501L-1-F3-L-A	A	DIP-4	UL	80	80	7.0	3.0/5.0	80 to 600	.30	.28	.246	.225
◆ 551-PS2505-1-A	PS2505-1-A	C	DIP-4	UL	80	80	7.0	3.0/5.0	80 to 600	.42	.363	.319	.264
◆ 551-PS2505L-1-A	PS2505L-1-A	C	DIP-4	UL	80	80	7.0	3.0/5.0	80 to 600	.54	.46	.40	.34
◆ 551-PS2505-4-A	PS2505-4-A	D	DIP-16	UL/BSI	80	80	7.0	3.0/5.0	80 to 600	2.23	2.01	1.62	1.26
◆ 551-PS2505L-4-A	PS2505L-4-A	D	DIP-16	UL	80	80	7.0	3.0/5.0	80 to 600	2.30	1.80	1.70	1.45
◆ 551-PS2701-1-F3-A	PS2701-1-F3-A	E	SOP-4	UL/BSI	50	40	6.0	3.0/5.0	50 to 300	.32	.30	.28	.24
◆ 551-PS2705A-1-F3-A	PS2705A-1-F3-A	E	SOP-4	UL	30	70	5.0	5.0/7.0	50 to 300	.31	.287	.251	.23

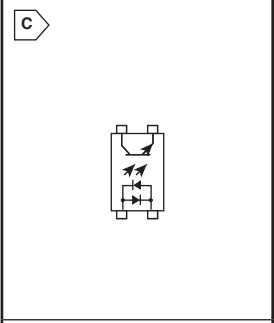


Optocouplers Optimized For Analog Feedback

◆ Surface Mount

For quantities greater than listed, call for quote.

MOUSER STOCK NO.	CEL Part No.	Fig.	Package	Safety Standard	IF (mA)	VCEO	VECO	Typical Rise/Fall t_r / t_f (μ s)	Current Transfer Ratio (%)	Price Each			
										1	10	100	500
DC Devices													
◆ 551-PS2811-1-A	PS2811-1-A	A	SSOP-4	UL	50	40	5.0	4.0/5.0	100 to 400	.88	.716	.55	.486
◆ 551-PS2811-1-M-A	PS2811-1-M-A	A	SSOP-4	UL	50	40	5.0	4.0/5.0	100 to 200	.88	.716	.55	.486
AC Devices													
◆ 551-PS2815-1-A	PS2815-1-A	C	SSOP-4	UL	50	40	5.0	4.0/5.0	100 to 400	1.08	.94	.73	.67

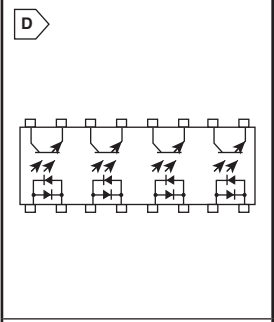


Optocouplers

◆ Surface Mount

For quantities greater than listed, call for quote.

MOUSER STOCK NO.	CEL Part No.	Fig.	Package	Safety Standard	IF (mA)	VCEO	VECO	Typical Rise/Fall t_r / t_f (μ s)	Current Transfer Ratio (%)	Price Each			
										1	10	100	500
DC Devices, High Isolation Voltage													
◆ 551-PS2561A-1-A	PS2561A-1-A	A	DIP-4	UL/BSI	30	70	5.0	5.0/7.0	50 to 300	.41	.35	.27	.198
◆ 551-PS2561AL-1-H-A	PS2561AL-1-H-A	A	DIP-4	UL/BSI	30	70	5.0	5.0/7.0	50 to 300	.45	.38	.33	.28
AC Devices													
◆ 551-PS2565-1-A	PS2565-1-A	C	DIP-4	UL/BSI	80	80	7.0	3.0/5.0	80 to 400	.62	.53	.46	.39
◆ 551-PS2565L-1-A	PS2565L-1-A	C	DIP-4	UL/BSI	80	80	7.0	3.0/5.0	80 to 400	.67	.585	.501	.428

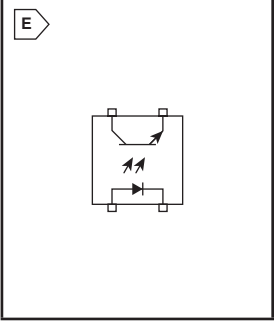


High Speed and High VCE Optocouplers

◆ Surface Mount

For quantities greater than listed, call for quote.

MOUSER STOCK NO.	CEL Part No.	Fig.	Package	Safety Standard	IF (mA)	VCEO	VECO	Typical Rise/Fall t_r / t_f (μ s)	Current Transfer Ratio (%)	Price Each			
										1	10	100	500
◆ 551-PS2503-1-A	PS2503-1-A	A	DIP-4	UL/CSA	80	40	0.6	30/30	100 to 400	.84	.72	.62	.53
◆ 551-PS2503L-1-A	PS2503L-1-A	A	DIP-4	UL/CSA	80	40	0.6	30/30	100 to 400	.89	.77	.66	.56
◆ 551-PS2513-1-A	PS2513-1-A	A	DIP-4	UL	60	120	6.0	3.0/4.0	25 to 100	.67	.577	.493	.42



Light Sensors and Optocouplers

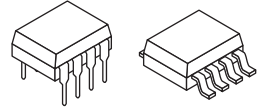
Applications:

- Can be used as an interface circuit for various instrumentations and control equipment in the following:
 - AC line/digital logic
 - Twisted pair line receiver
 - Digital logic/digital logic
 - Telephone/telegaph line receiver

Features:

- High isolation voltage
- High current transfer ratio
- Low cost
- High speed switching

RoHS Compliant **This page of product is RoHS compliant.**
Safety Standards:
 UL = UL Recognized [UL File No.: E72422(S)]
 UL/CSA = UL Recognized and CSA Approved
 UL File No.: E72422(S)/CSA File No.: CA101391
 UL/BSI = UL Recognized and BSI Approved
 UL File No.: E72422(S)/BSI Approved No.: 7112/7420



CEL **DARLINGTON TRANSISTOR OPTOCOUPLEDERS**
California Eastern Laboratories

General Purpose Optocouplers

◆ **Surface Mount**

For quantities greater than listed, call for quote.

MOUSER STOCK NO.	CEL Part No.	Fig.	Package	Safety Standard	IF (mA)	VCEO (V)	VECO (V)	Typical Rise/Fall t_r / t_f (μ s)	Current Transfer Ratio (%)	Price Each				
										1	10	100	500	
DC Devices, High Isolation Voltage														
◆ 551-PS2502-1-A	PS2502-1-A	A	DIP-4	UL	80	40	6.0	100/100	200 to 2000	.66	.57	.49	.42	
◆ 551-PS2502L-1-A	PS2502L-1-A	A	DIP-4 GW	UL	80	40	6.0	100/100	200 to 2000	.81	.72	.61	.52	
◆ 551-PS2502-4-A	PS2502-4-A	B	DIP-16	UL	80	40	6.0	100/100	200 to 2000	2.97	2.47	2.20	1.73	
◆ 551-PS2502L-4-A	PS2502L-4-A	B	DIP-16 GW	UL	80	40	6.0	100/100	200 to 2000	3.00	2.66	2.12	1.89	
◆ 551-PS2702-1-A	PS2702-1-A	A	SOP-4	UL/BSI	50	40	6.0	200/200	200 to 2000	.94	.81	.701	.604	
◆ 551-PS2802-1-A	PS2802-1-A	C	SSOP-4 GW	UL/BSI	50	40	6.0	200/200	200 to 2000	1.23	1.10	.90	.78	
◆ 551-PS2381-1Y-AX	PS2381-1Y-AX	D	LSOP-4	CSAUL/VDE	1.5	80	7.0	4/5	50 to 400	.75	.69	.50	.45	
AC Devices, High Isolation Voltage														
◆ 551-PS2506-1-A	PS2506-1-A	E	DIP-4	UL	80	40	6.0	100/100	200 to 2000	.89	.76	.66	.56	
◆ 551-PS2506L-1-A	PS2506L-1-A	E	DIP-4 GW	UL	80	40	6.0	100/100	200 to 2000	.95	.84	.73	.66	

Guaranteed 0.4mm Insulation Optocouplers

◆ **Surface Mount**

For quantities greater than listed, call for quote.

MOUSER STOCK NO.	CEL Part No.	Fig.	Package	Safety Standard	IF (mA)	VCEO (V)	VECO (V)	Typical Rise/Fall t_r / t_f (μ s)	Current Transfer Ratio (%)	Price Each				
										1	10	100	500	
DC Devices, High CTR, High Isolation Voltage														
◆ 551-PS2562-1-A	PS2562-1-A	A	DIP-4	UL/BSI	80	40	6.0	100/100	200 to 2000	.92	.79	.68	.58	
◆ 551-PS2562L-1-A	PS2562L-1-A	A	DIP-4 GW	UL/BSI	80	40	6.0	100/100	200 to 2000	.85	.64	.56	.50	

High VCEO Optocouplers

◆ **Surface Mount**

For quantities greater than listed, call for quote.

MOUSER STOCK NO.	CEL Part No.	Fig.	Package	Safety Standard	IF (mA)	VCEO (V)	VECO (V)	Typical Rise/Fall t_r / t_f (μ s)	Current Transfer Ratio (%)	Price Each				
										1	10	100	500	
DC Devices														
◆ 551-PS2533-1-A	PS2533-1-A	F	DIP-4	UL/BSI	80	350	6.0	100/100	1500 to 6500	1.46	1.31	1.11	.96	
◆ 551-PS2833-1-A	PS2833-1-A	F	SSOP-4 GW	UL/BSI	50	350	0.3	20/5.0	400 to 4500	1.81	1.56	1.34	1.14	
◆ 551-PS2533L-1-A	PS2533L-1-A	E	DIP-4	UL/BSI	80	350	0.6	100/100	1500 to 6500	1.54	1.36	1.14	.98	

CEL **IGBT GATE DRIVE OPTOCOUPLEDERS**
California Eastern Laboratories

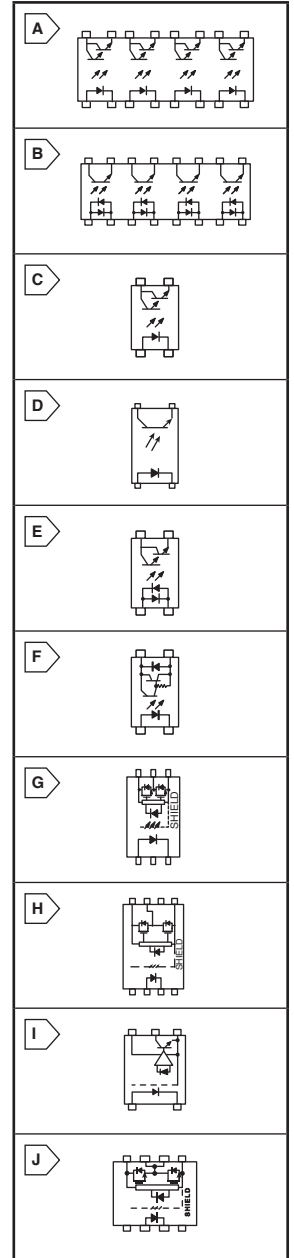
For quantities greater than listed, call for quote.

MOUSER STOCK NO.	CEL Part No.	Fig.	Package	Safety Standard	IF (mA)	VCC Range (V)	Isolation Voltage (VRMS)	Typical Rise/Fall t_r / t_f (μ s)	Prop. Delay (L/H) (Typ.) (ns)	Price Each				
										1	10	100	500	
DC Devices, High CMR, High Isolation Voltage														
551-PS9308L-V-AX	PS9308L-V-AX	G	SDIP-6	UL/CSA	25	15 to 30	5000	50/50	250	3.14	2.80	2.07	1.85	
551-PS9308L2-V-AX	PS9308L2-V-AX	G	SDIP-6	UL/CSA	25	15 to 30	5000	50/50	250	3.16	2.82	2.08	1.86	
551-PS9402-V-AX	PS9402-V-AX	A	SSOP-16	UL/CSA	25	15 to 30	5000	50/50	200	8.05	7.25	5.47	4.99	
551-PS9905-Y-V-AX	PS9905-Y-V-AX	H	LSDIP-8	UL/CSA	25	15 to 30	7500	50/50	150	9.50	8.55	6.46	5.89	

CEL **HIGH SPEED DIGITAL OPTOCOUPLEDERS**
California Eastern Laboratories

For quantities greater than listed, call for quote.

MOUSER STOCK NO.	CEL Part No.	Fig.	Package	Safety Standard	Digital Speed (Mbps)	VCC Range (V)	Isolation Voltage (VRMS)	Prop. Delay (L/H) (Typ.) (ns)	Threshold Input Curr. (Typ.) (mA)	Price Each				
										1	10	100	500	
10kV/us Minimum Noise Immunity														
551-PS9121-AX	PS9121-AX	I	SOP-5	UL/VDE	10	2.7 to 5.5	2500	43/46	30	2.86	2.65	2.12	1.80	
551-PS9505L3-AX	PS9505L3-AX	J	DIP-8/SMT	CSAUL/VDE	0.25	0 to 35	5000	0.18	2	2.88	2.64	1.92	1.72	
551-PS9505-AX	PS9505-AX	J	DIP-8/SMT	CSAUL/VDE	0.25	0 to 35	5000	0.18	2	2.81	2.57	1.87	1.68	



Microsemi **AMBIENT LIGHT SENSORS**

For quantities greater than listed, call for quote.

MOUSER STOCK NO.	Microsemi Part No.	Package	Wavelength (nm)	Supply Voltage (V)	Type	Supply Current (mA)	Operating Temperature (°C)	Price Each			
								1	10	100	500
494-LX1970IDU	LX1970IDU	MSOP-8	520	5.5	Current	0.11	-40 to +85	3.36	2.70	2.46	1.99
494-LX1971IDU	LX1971IDU	MSOP-8	520	5.5	Current	0.75	-40 to +85	4.90	3.93	3.58	2.90
494-LX1972IBC	LX1972IBC	1206	520	5.5	Current	-	-40 to +85	2.20	1.77	1.42	1.24
494-LX1973IDU	LX1973IDU	MSOP-8	550	5.5	Current	0.25	-40 to +85	3.94	3.17	2.89	2.34
494-LX1973AIDU	LX1973AIDU	MSOP-8	580	5.5	Voltage	0.25	-40 to +85	3.89	3.12	2.85	2.30
494-LX1973BIPL	LX1973BIPL	MSOP-8	580	5.5	Current	0.27	-40 to +85	4.22	3.39	3.09	2.50

SHARP Microelectronics Optocouplers



This page of product is RoHS compliant.



Opto Components Sharp

PHOTOTRIACS COUPLERS

Zero Crossing Functionality (VOX : MAX. 20V)

For quantities greater than listed, call for quote.

MOUSER STOCK NO.	Package	Absolute Max Ratings			Electro-optical Characteristics		Price Each			
		(rms) (A)	VDRM (V)	Viso (rms) (kV)	Ift (mA) MAX.	VD (V)	1	10	100	500
852-PC4SD21YXPCF	DIP 6-Pin	0.1	800	5.0	5	20	1.44	1.15	.96	.719
852-S2S3LA0F	Mini-flat 4-Pin	0.05	600	3.75	10	6	1.14	.911	.76	.569
852-S2S4A00F	Mini-flat 4-Pin	0.05	600	3.75	10	6	1.14	.911	.76	.569
852-S2S4LY0F	Mini-flat 4-Pin	0.05	600	3.75	10	6	1.20	.959	.80	.599

PHOTOINTERRUPTERS

Slot Type

For quantities greater than listed, call for quote.

MOUSER STOCK NO.	Package	Gap Width (mm)	Slit Width (mm)	Forward Current (mA)	Forward Voltage (V)	Power Dissipation (mW)	Output		Price Each			
							Voltage (V)	Current (mA)	1	10	100	500
852-GP1A50HRJ00F	25x10x6mm	3	0.5	50	5	75	-0.5 to 17	50	1.42	1.08	.94	.78
852-GP1A52HRJ00F	12.2x10x5mm	3	0.5	50	1.2	75	-0.5 to 17	50	1.27	.969	.841	.698
852-GP1A52LRJ00F	12.2x10x5mm	3	0.5	50	1.2	250	-0.5 to 17	50	1.42	1.08	.94	.78
852-GP1A57HRJ00F	18.6x15.2x5mm	10	1.8	50	1.2	250	-0.5 to 17	50	1.97	1.50	1.30	1.08
852-GP1S092HCPIF	4.5x2.6x2.9mm	2	0.3	50	1.2	100	35 CEO	20	.76	.522	.418	.304
852-GP1S094HCZ0F	5.5x2.6x4.8mm	2	0.3	50	1.2	75	35 CEO	20	.60	.412	.33	.24

Flat Type

For quantities greater than listed, call for quote.

MOUSER STOCK NO.	Style	Distance (White Paper) (mm)	Distance (Black Paper) (mm)	Forward Current (mA)	Forward Voltage (V)	Power Dissipation (mW)	Output		Price Each			
							Voltage (V)	Current (mA)	1	10	100	500
852-GP2A200LCS0F	with Connector	2-22	5-15	30	5	-	30	50	5.22	3.97	3.44	2.86
852-GP2A231LRSAF	with Connector	1-9	3-7	20	5	-	7	50	4.12	3.13	2.72	2.26
852-GP2A25J0000F	with Connector	1-9	3-7	30	5	-	30	50	4.97	3.78	3.28	2.72
852-GP2S60B	Surface Mount	0.7	-	50	1.2	75	35 CEO	20	.76	.522	.418	.304

CHIP ON BOARD LED LIGHTING ARRAY

For quantities greater than listed, call for quote.

MOUSER STOCK NO.	Sharp Part No.	Package (mm)	Color	Color Temperature	Luminous Flux (lm)	Forward Voltage (V)	Forward Current (mA)	CRI	Operating Temperature (°C)	Price Each			
										1	10	100	500
852-GW6TGCBG40C	GW6TGCBG40C	24x20x1.8	Warm White, Cool White	2700K, 5700K	1840, 2170	37, 38	700	96, 90	-30 to 100	59.37	51.55	42.80	37.47

AMBIENT LIGHT SENSORS

For quantities greater than listed, call for quote.

MOUSER STOCK NO.	Rise/Fall Time (µs-ms)(ms-µs)		Operating Voltage (Vcc)	Output Current (µA)	Peak Sensitivity (nm)	Illuminance/Dynamic Range (lx)	Operating Temperature (°C)	Price Each			
	Rise	Fall						1	10	100	500
852-GA1A1S202WP	150-5	150-15	2.3-3.2	1	555	3-55000	-40 to 85	.81	.647	.54	.404
852-GA1A1S204WP	150-5	150-15	2.3-3.2	1	555	3-55000	-40 to 85	1.17	.935	.78	.584
852-GA1A2S100LY	10-2-500	10-1-250	2.7-3.6	480	555	10-10000	-40 to 85	.81	.647	.54	.404
852-GA1A2S100SS	10-2-500	10-1-250	2.7-3.6	480	555	10-10000	-40 to 85	1.11	.887	.74	.554

PHOTO TRANSISTOR OUTPUT

SOP-4

For quantities greater than listed, call for quote.

MOUSER STOCK NO.	Sharp Part No.	Current Transfer Ratio				Output		Price Each			
		Min (%)	Max (%)	@ Vce (V)	@ If (mA)	Vceo Max. (V)	Ic Max. (mA)	1	10	100	500
852-PC354NJ0000F	PC354NJ0000F	20	400	-	1	80	50	.80	.55	.44	.32
852-PC355NJ0000F	PC355NJ0000F	120	1500	2	1	35	80	.96	.66	.528	.384
852-PC355NTJ000F	PC355NTJ000F	120	1500	2	1	35	80	.84	.671	.56	.419
852-PC357N1TJ00F	PC357N1TJ00F	50	600	5	5	80	50	.80	.55	.44	.32
852-PC357N3TJ00F	PC357N3TJ00F	50	600	5	5	80	50	.76	.522	.418	.304
852-PC357N4J000F	PC357N4J000F	50	600	5	5	80	50	.68	.467	.374	.272
852-PC357N4TJ00F	PC357N4TJ00F	50	600	5	5	80	50	.80	.55	.44	.32
852-PC357NJ0000F	PC357NJ0000F	50	600	5	5	80	50	.64	.44	.352	.256
852-PC357NTJ000F	PC357NTJ000F	50	600	5	5	80	50	.68	.467	.374	.272
852-PC364NJ0000F	PC364NJ0000F	60	1200	2	0.5	35	80	.78	.623	.52	.389
852-PC365NJ0000F	PC365NJ0000F	60	1200	2	0.5	35	80	.78	.623	.52	.389
852-PC367N2TJ00F	PC367N2TJ00F	60	1200	2	0.5	80	50	.92	.632	.506	.368
852-PC367NJ0000F	PC367NJ0000F	60	1200	2	0.5	80	50	.92	.632	.506	.368
852-PC367NTJ000F	PC367NTJ000F	60	1200	2	0.5	80	50	.92	.632	.506	.368
852-PC3H410NIP0F	PC3H410NIP0F	50	400	-	0.5	-	-	1.00	.687	.55	.40
852-PC3H411NIP0F	PC3H411NIP0F	50	400	-	0.5	-	-	.81	.647	.54	.404
852-PC3H4J00000F	PC3H4J00000F	20	400	-	1	80	50	1.00	.687	.55	.40
852-PC3H5J00000F	PC3H5J00000F	120	1500	2	1	35	80	.78	.623	.52	.389
852-PC3H711NIP0F	PC3H711NIP0F	100	700	5	0.5	80	50	.80	.55	.44	.32
852-PC3H712NIP0F	PC3H712NIP0F	100	700	5	0.5	80	50	.80	.55	.44	.32
852-PC3H7CDJ000F	PC3H7CDJ000F	20	400	5	1	80	50	.88	.605	.484	.352
852-PC3H7DJ0000F	PC3H7DJ0000F	20	400	5	1	80	50	.88	.605	.484	.352

DIP-4

For quantities greater than listed, call for quote.

MOUSER STOCK NO.	Sharp Part No.	Current Transfer Ratio				Output		Price Each			
		Min (%)	Max (%)	@ Vce (V)	@ If (mA)	Vceo Max. (V)	Ic Max. (mA)	1	10	100	500
852-PC817X2NSZ0F	PC817X2NSZ0F	50	600	5	5	80	50	.48	.33	.264	.192
852-PC817X9NSZ0F	PC817X9NSZ0F	50	600	5	5	80	50	.52	.357	.286	.208

TOSHIBA Op Amps and Photocouplers

 This page of product is RoHS compliant.

PHOTOCOUPLERS

Photovoltaic Output Devices

For quantities greater than listed, call for quote.

MOUSER STOCK NO.	Toshiba Part No.	Package Type	Description	Voltage Output (V)	Isolation Voltage (Vrms)	Price Each		
						1	10	100
757-TLP590B(C,F)	TLP590B(C,F)	DIP-6	Standard	7	2500	2.94	2.62	2.15
757-TLP591B(C,F)	TLP591B(C,F)	DIP-6	Internal shunt resistor	7	2500	2.94	2.37	1.90
757-TLP190B(U,C,F)	TLP190B(U,C,F)	MFSOP6	Standard	7	2500	2.32	1.87	1.50
757-TLP191B(U,C,F)	TLP191B(U,C,F)	MFSOP6	Internal shunt resistor	24	2500	2.94	2.37	1.90

Transistor Output Devices

For quantities greater than listed, call for quote.

MOUSER STOCK NO.	Toshiba Part No.	Package Type	Description	Voltage Output (V)	Isolation Voltage (Vrms)	Price Each		
						1	10	100
757-TLP124(BV-TPR,F)	TLP124(BV-TPR,F)	MFSOP6	Low input current	80	3750	.77	.605	.391
757-TLP124(F)	TLP124(F)	SOP-6	Low input current	80	3750	.77	.605	.392
757-TLP124(TPR,F)	TLP124(TPR,F)	MFSOP6	AC input, Low input current	80	3750	.77	.605	.391
757-TLP126(F)	TLP126(F)	MFSOP6	AC input, Low input current	80	3750	1.08	.865	.664
757-TLP126(TPR,F)	TLP126(TPR,F)	MFSOP6	AC input, Low input current	80	3750	1.08	.864	.663
757-TLP127TPRUF	TLP127(TPR,U,F)	MFSOP6	Darlington, High VCEO	300	2500	1.01	.806	.619
757-TLP182(BL-TPL,E)	TLP182(BL-TPL,E)	SOP-4	InGaAs infrared LED & Phototransistor	80	3750	.72	.561	.363
757-TLP183(GR-TPLE)	TLP183(GR-TPLE,E)	SOP-4	InGaAs infrared LED & Phototransistor	80	3750	.72	.561	.363
757-TLP184E	TLP184(E)	SOIC-6	AC/DC input module	80	3750	.64	.476	.299
757-TLP185GBE	TLP185(GB,E)	SOIC-6	AC/DC input module	80	3750	.51	.379	.238
757-TLP2904GBE	TLP290-4(GB,E)	SO-16	AC Input, Gallium arsenide infrared emitter	80	2500	1.85	1.50	1.20
757-TLP2914GBE	TLP291-4(GB,E)	SO-16	DC Input, Gallium arsenide infrared emitter	80	2500	1.73	1.38	1.06
757-TLP292(TPLE)	TLP292(TPL,E)	SOP-4	InGaAs infrared LED & Phototransistor	80	3750	.73	.573	.371
757-TLP293(V4-GHTLE)	TLP293(V4-GHTL,E)	SO-4	InGaAs infrared emitting diode	80	3750	.59	.394	.22
757-TLP372(F)	TLP372(F)	DIP-6	Darlington, High VCEO, No base connection	300	5000	.93	.749	.575
757-TLP504A(GB,F)	TLP504A(GB,F)	DIP-8	Standard, Programmable Controllers AC/DC	55	2500	1.51	1.21	.929
757-TLP504A-2(GB,F)	TLP504A-2(GB,F)	DIP-8	Standard, Programmable Controllers AC/DC	55	2500	2.60	2.10	1.68
757-TLP559(F)	TLP559(F)	DIP-8	High CMR, no internal base connection	15	2500	2.32	1.87	1.50
757-TLP559(IGM,F)	TLP559(IGM,F)	DIP-8	High CMR	15	2500	2.32	1.87	1.50
757-TLP620-4(F)	TLP620-4(F)	DIP-16	Four channels	55	5000	2.86	2.31	1.85
757-TLP620-4(GB,F)	TLP620-4(GB,F)	DIP-16	Four channels	55	5000	2.07	1.67	1.34
757-TLP620-4(GB-LF1)	TLP620-4(GB-LF1,F)	DIP-16	Four channels	55	5000	2.07	1.67	1.34
757-TLP624-2(F)	TLP624-2(F)	DIP-8	Two TLP624 channels, BSI-approved	55	5000	1.54	1.25	1.00
757-TLP624-4(F)	TLP624-4(F)	DIP-16	Four TLP624 channels, BSI-approved	55	5000	2.80	2.50	2.04
757-TLP624F	TLP624F	DIP-4	Low input current, BSI approved	55	5000	.98	.764	.494
757-TLP626(F)	TLP626(F)	DIP-4	AC input, Low input current, BSI-approved	55	5000	1.26	1.00	.774
757-TLP626-4(F)	TLP626-4(F)	DIP-16	Four TLP626 channels, BSI-approved	55	5000	4.20	3.75	3.07
757-TLP627-4F	TLP627-4F	DIP-16	Four channels, BSI approved	300	5000	1.58	1.51	1.44
757-TLP631(GB,F)	TLP631(GB,F)	DIP-6	Standard, internal base connection	55	5000	.90	.72	.553
757-TLP700F	TLP700(F)	DIP-6	High-speed, Low power consumption	30	5000	2.72	2.20	1.76
757-TLP719(TP,F)	TLP719(TP,F)	DIP-6	High isolation, High CMR	40	5000	1.54	1.25	1.00
757-TLP781(GB-LF6,F)	TLP781(GB-LF6,F)	DIP-4	High isolation, UL double protection approved	80	5000	.53	.353	.197
757-TLP781(GR-LF6,F)	TLP781(GR-LF6,F)	DIP-4	High isolation, UL double protection approved	80	5000	.53	.353	.197

Triac Output Devices

For quantities greater than listed, call for quote.

MOUSER STOCK NO.	Toshiba Part No.	Package Type	Description	Voltage Output (V)	Isolation Voltage (Vrms)	Price Each		
						1	10	100
757-TLP160(TPR,U,C,F)	TLP160J(TPR,U,C,F)	MFSOP6	Non-zero-voltage turn-on	600	2500	.90	.72	.553
757-TLP161J(TPR,U,C,F)	TLP161J(TPR,U,C,F)	MFSOP6	Zero-voltage turn-on	600	2500	1.08	.864	.663
757-TLP168J(TPR,U,C,F)	TLP168J(TPR,U,C,F)	MFSOP6	Zero-voltage turn-on, Extra-low IFT	600	2500	1.55	1.23	.951
757-TLP265J(T7-TPLE)	TLP265J(T7-TPL,E)	SOP-4	Without Zero-Crossing Circuit	600	3750	.94	.749	.575
757-TLP266J(T7-TPLE)	TLP266J(T7-TPL,E)	SOP-4	With Zero-Crossing Circuit	600	3750	.94	.749	.575
757-TLP267J(TPLE)	TLP267J(TPL,E)	SOP-4	Without Zero-Crossing Circuit	600	3750	.90	.701	.454
757-TLP268J(TPLE)	TLP268J(TPL,E)	SOP-4	With Zero-Crossing Circuit	600	3750	.94	.749	.575
757-TLP525G-2(F)	TLP525G-2(F)	DIP-8	Two TLP525G channels	600	2500	1.85	1.50	1.20
757-TLP525GF	TLP525GF	DIP-4	Two isolated channels	400	2500	1.08	.864	.663
757-TLP748JD4F	TLP748J(D4,F)	DIP-6	4mm internal creepage path	600	4000	1.55	1.23	.951
757-TLP748JF	TLP748J(F)	DIP-6	4mm internal creepage path	600	4000	1.51	1.21	.929

IC OUTPUT DEVICES

For quantities greater than listed, call for quote.

MOUSER STOCK NO.	Toshiba Part No.	Package Type	Description	Voltage Output (V)	Isolation Voltage (Vrms)	Price Each		
						1	10	100
757-TLP105(F)	TLP105(F)	SOP-6	Buffer logic	0.0016	3750	2.94	2.62	2.15
757-TLP108(F)	TLP108(F)	SOP-6	Inverter logic	0.0016	3750	2.94	2.62	2.15
757-TLP109E	TLP109(E,O)	SO-6	High operating temperature	0.08	3750	1.54	1.25	1.00
757-TLP117F	TLP117(F)	SOP-6	High-speed, Inverter logic	0.01	3750	2.94	2.37	1.90
757-TLP118E	TLP118(E,O)	SO-6	Open collector output, High-gain, High-speed	0.025	3750	1.79	1.42	1.09
757-TLP152TPLE	TLP152(TPL,E)	SO-6	IGBT/MOSFET Gate Drive	35	3750	1.04	.836	.642
757-TLP172A(F)	TLP172A(F)	SOP-4	Low trigger current, High output current, General purpose	0.05	1500	1.85	1.50	1.20
757-TLP172G(F)	TLP172G(F)	SOP-4	Low trigger current, General purpose	0.05	1500	1.85	1.50	1.20
757-TLP2066(F)	TLP2066(F)	SOP-6	High-speed, Inverter logic	0.01	3750	2.16	1.75	1.40
757-TLP2166AF	TLP2166A(F)	SO-8	High-speed, Inverter logic, Low input current	0.03	2500	3.36	3.00	2.45
757-TLP2168F	TLP2168(F)	SO-8	High-speed, Low Power	6	2500	3.69	3.30	2.70
757-TLP2200F	TLP2200(F)	DIP-8	Low input current, High-speed	0.025	2500	1.62	1.29	.995
757-TLP222A-2(F)	TLP222A-2(F)	DIP-8	Low trigger current, High output current	0.05	2500	2.78	2.25	1.80
757-TLP222AF	TLP222AF	DIP-4	Low trigger current, High output current	0.05	2500	1.62	1.29	.995
757-TLP222G(F)	TLP222G(F)	DIP-4	Low trigger current, General purpose	0.05	2500	1.62	1.29	.995
757-TLP227G-2(F)	TLP227G-2(F)	DIP-8	Two channels	0.05	2500	2.84	2.30	1.84
757-TLP2309TPLE	TLP2309(TPL,E)	SO-6	High-speed, 1Mbps	20	3750	1.62	1.29	.996
757-TLP2361(TPLE)	TLP2361(TPL,E)	SO-6	High-speed, 15Mbps	6	3750	.90	.72	.553
757-TLP2362E	TLP2362(E)	SO-6	High-speed, Low Power	6	3750	.90	.72	.553
757-TLP2468TPF	TLP2468(TP,F)	SO-8	High-speed, Low Power	6	3750	.90	.72	.553
757-TLP250	TLP250(TP1,F)	DIP-8	Medium-power IGBT/MOSFET direct drive, High-speed	0.0015	2500	1.79	1.45	1.16
757-TLP352TP1F	TLP352(TP1,F)	DIP-8	IGBT/MOSFET Gate Drive	35	3750	3.03	2.44	1.95
757-TLP557(F)	TLP557(F)	DIP-8	High-speed, High power transistor direct drive	0.25	2500	2.22	1.80	1.44
757-TLP5702(TPE)	TLP5702(TP,E)	SO-6	Fast-speed, Inverter logic	35	5000	3.03	2.44	1.95
757-TLP592A(F)	TLP592A(F)	DIP-6	Low trigger current, High output current	0.05	2500	1.64	1.32	1.06
757-TLP598GAF	TLP598GAF	DIP-6	Low trigger current	0.02	2500	4.79	2.04	1.98
757-TLP705(TP,F)	TLP705(TP,F)	DIP-6	Low-power IGBT/MOSFET direct drive, High-speed, Low-power	0.45	5000	1.85	1.50	1.20
757-TLP715F	TLP715(F)	DIP-6	Buffer logic	0.003	5000	2.78	2.25	1.80
757-TLP250(F)	TLP250(F)	DIP-8	Medium-power IGBT/MOSFET direct drive, High-speed	1.5	2500	1.60	1.30	1.04
757-TLP251(F)	TLP251(F)	DIP-8	Low-power IGBT/MOSFET direct drive	0.4	2500	1.73	1.40	1.12
757-TLP2531(F)	TLP2531(F)	DIP-8	Dual channel version of 6N135, TLP550	0.016	2500	1.44	1.15	.885
757-TLP2601(F)	TLP2601(F)	DIP-8	High CMR, High-speed	0.005	2500	1.69	1.35	1.04
757-TLP2630(F)	TLP2630(F)	DIP-8	Dual channel version of 6N137, TLP552	0.005	2500	2.04	1.65	1.32
757-TLP2631(F)	TLP2631(F)	DIP-8	High CMR, Dual channel version of TLP554	0.005	2500	2.04	1.65	1.32
757-TLP351(F)	TLP351(F)	DIP-8	Low-power IGBT/MOSFET direct drive	0.005	3750	1.70	1.37	1.10
757-TLP550(F)	TLP550(F)	DIP-8	No internal base connection, High-speed, High CMR	0.016	2500	1.70	1.37	1.10

VISHAY Optocouplers

RoHS Compliant This page of product is RoHS compliant.



PHOTO DARLINGTON OUTPUT

Safety Standards:

- UL = UL Recognized (UL File No: E76222)
- UL/VDE = UL Recognized (E76222) and VDE Recognized

Surface Mount Device

- UL/BSI/VDE = UL Recognized (E76222), BSI and VDE Recognized



For quantities greater than listed, call for quote.

MOUSER STOCK NO.		Fig.	Package	Safety Standard	IF (Max.) (mA)	VCEO (Max.) (V)	VECO (Max.) (V)	Turn-On/Turn-Off Times Typ. (μs)	Isolation Voltage (VRMS)	Current Transfer Ratio (Min./Typ./Max.) (%)	Price Each					
Mfr.	Mfr. Part No.										1	100	500	1000		
Single Channel																
78-4N32	A	DIP-6	UL/BSI	60	30	5	5.0/100 Max.	5.3kV	500/----/----	.29	.25	.22	.19			
78-4N33	A	DIP-6	UL/BSI	60	30	5	5.0/100 Max.	5.3kV	500/----/----	.39	.359	.284	.272			
782-H11B1	A	DIP-6	UL	60	25	7	5.0/30	5.3kV	500/----/----	.72	.612	.54	.473			
782-H11B2	A	DIP-6	UL	60	25	7	5.0/30	5.3kV	200/----/----	.77	.61	.51	.45			
782-IL223AT	B	SOIC-8	UL	60	30	5	----/----	4.0kV	500/----/----	.93	.74	.57	.45			
782-MCA231	A	DIP-6	UL	60	30	7	10/30	5.3kV	200/----/----	.65	.51	.45	.40			
Dual Channel																
782-ILD223T	C	SOIC-8	UL	30	30	5	15/30 Min.	4.0kV	500/----/----	1.66	1.32	1.02	.80			
Quad Channel																
782-TCMD4000	D	SOP-16	UL	60	35	7	300/250	3.75kV	600/800/----	2.52	1.46	1.06	.993			

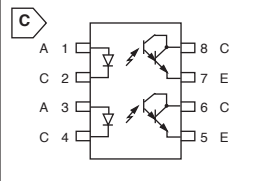
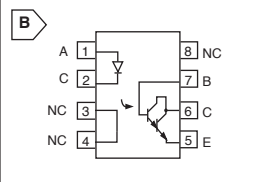
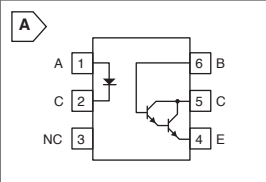


PHOTO DARLINGTON OUTPUT, HIGH SPEED, LOW INPUT CURRENT

For quantities greater than listed, call for quote.

MOUSER STOCK NO.		Fig.	Package	Safety Standard	IF (mA)	Max. Supply Volt. (V)	Data Rate Typ (bit/s)	Delay Time tPHL/tPLH (Typ.) (μs)	Isolation Voltage (VRMS)	Current Transfer Ratio (Min./Typ./Max.) (%)	Price Each					
Mfr.	Mfr. Part No.										1	100	500	1000		
Single Channel																
782-6N138	E	DIP-8	UL	25	7	100K	2.0/2.0	5.3kV	300/1600/----	1.33	.92	.74	.65			
782-6N139	E	DIP-8	UL	25	18	100K	6.0/4.0	5.3kV	400/1600/----	1.46	1.01	.81	.72			

PHOTO TRANSISTOR OUTPUT

Surface Mount Device

For quantities greater than listed, call for quote.

MOUSER STOCK NO.		Fig.	Pkg.	Safety Standard	IF (Max.) (mA)	VCEO (Max.) (V)	VECO (Max.) (V)	Rise and Fall Times Typ. (μs)	Isolation Voltage (VRMS)	Current Transfer Ratio (Min./Typ./Max.) (%)	Price Each					
Mfr.	Mfr. Part No.										1	100	500	1000		
Single Channel																
78-VOM617A-2T	F	SOP-4	UL, DIN, FIMKO, CQC	1.6	80	7	3.0/3.0	3.75kV	63/---/125	.30	.24	.20	.18			
78-VOM617A-3T	F	SOP-4	UL, DIN, FIMKO, CQC	1.6	80	7	3.0/3.0	3.75kV	100/---/200	.30	.24	.20	.18			
78-VOM617A-4T	F	SOP-4	UL, DIN, FIMKO, CQC	1.6	80	7	3.0/3.0	3.75kV	160/---/320	.30	.24	.20	.18			
78-VOM617A-7T	F	SOP-4	UL, DIN, FIMKO, CQC	1.6	80	7	3.0/3.0	3.75kV	80/---/160	.30	.24	.20	.18			
78-VOM618A-1T	F	SOP-4	UL, DIN, FIMKO, CQC	5	80	7	6.0/6.0	3.75kV	40/---/80	.43	.34	.28	.26			
78-VOM618A-2T	F	SOP-4	UL, DIN, FIMKO, CQC	5	80	7	6.0/6.0	3.75kV	63/---/125	.43	.34	.28	.26			
78-VOM618A-3T	F	SOP-4	UL, DIN, FIMKO, CQC	5	80	7	6.0/6.0	3.75kV	100/---/200	.43	.34	.28	.26			
78-VOM618A-4T	F	SOP-4	UL, DIN, FIMKO, CQC	5	80	7	6.0/6.0	3.75kV	160/---/320	.43	.34	.28	.26			
78-VOM618A-7T	F	SOP-4	UL, DIN, FIMKO, CQC	5	80	7	6.0/6.0	3.75kV	80/---/160	.43	.34	.28	.26			
78-VOM618AT	F	SOP-4	UL, DIN, FIMKO, CQC	5	80	7	6.0/6.0	3.75kV	50/---/100	.43	.34	.28	.26			
78-VOS617A-2X001T	G	SSOP-4	UL, DIN, FIMKO, CQC	50	80	7	3.0/3.0	3.75kV	63/---/125	.47	.33	.26	.23			
78-VOS627A-X001T	H	SOP-4	UL, DIN, FIMKO, CQC	50	80	7	3.0/3.0	3.75kV	50/---/100	.95	.67	.52	.41			
78-VOS617A-X001T	F	SOP-4	UL, DIN, FIMKO, CQC	50	80	7	3.0/3.0	3.75kV	50/---/100	.47	.33	.26	.23			
78-VOS618A-X001T	F	SOP-4	UL, DIN, FIMKO, CQC	50	80	7	5.0/5.0	3.75kV	50/---/100	.68	.47	.38	.34			
78-VOS618A-3X001T	F	SOP-4	UL, DIN, FIMKO, CQC	50	80	7	5.0/5.0	3.75kV	100/---/200	.68	.47	.38	.34			
78-VOS618A-2X001T	G	SSOP-4	UL, DIN, FIMKO, CQC	50	80	7	10.0/10.0	3.75kV	63/---/125	.68	.47	.38	.34			
78-VOS628A-3T	H	SSOP-4	UL, DIN, FIMKO, CQC	50	80	7	10.0/10.0	3.75kV	100/---/200	.63	.50	.41	.38			
78-VOS628A-X001T	H	SOP-4	UL, DIN, FIMKO, CQC	50	80	7	10.0/10.0	3.75kV	50/---/100	.99	.70	.54	.42			
78-4N36	I	DIP-6	UL	50	70	7	10.0/10.0	5.0kV	100/----/----	.27	.24	.19	.18			
78-4N37	I	DIP-6	UL	50	70	7	10.0/10.0	5.0kV	100/----/----	.27	.24	.19	.18			
782-CNY17G-3	I	DIP-6	UL/BSI	60	32	7	7.0/6.7	3.75kV	100/----/200	.26	.23	.18	.18			
78-4N25	G	DIP-6	UL/BSI	60	70	7	2.0/2.0	5.0kV	20/50/----	.57	.256	-	.178			
78-4N26	I	DIP-6	UL/BSI	60	70	7	2.0/2.0	5.0kV	20/50/----	.27	.24	.19	.18			
78-4N27	I	DIP-6	UL/BSI	60	70	7	2.0/2.0	5.0kV	10/30/----	.27	.24	.19	.18			
78-4N28	I	DIP-6	UL/BSI	60	70	7	2.0/2.0	5.0kV	10/30/----	.36	.331	.262	.251			
782-4N38	I	DIP-6	UL	60	70	7	10/10	5.3kV	20/---/----	.57	.39	.26	.20			
782-CNY17-1	I	DIP-6	UL/BSI	60	70	7	2.0/2.0	5.3kV	40/80/----	.39	.341	.297	.264			
782-CNY17F-1	I	DIP-6	UL/BSI	60	70	7	2.0/2.0	5.3kV	13/30/----	.82	.571	.385	.292			
782-CNY17-2	I	DIP-6	UL/BSI	60	70	7	2.0/2.0	5.3kV	63/125/----	.39	.341	.297	.264			
782-CNY17F-2	I	DIP-6	UL/BSI	60	70	7	2.0/2.0	5.3kV	22/45/----	.82	.571	.385	.292			
782-CNY17F-2X006	I	DIP-6	UL/BSI	60	70	7	2.0/2.0	5.3kV	22/45/----	.39	.28	.23	.22			
782-CNY17-3X006	I	DIP-6	UL/BSI	60	70	7	2.0/2.0	5.3kV	100/200/----	.39	.28	.23	.22			
782-CNY17-3X007	I	SMD-6	UL/BSI	60	70	7	2.0/2.0	5.3kV	100/200/----	.39	.28	.23	.22			
782-CNY17F-3	I	DIP-6	UL/BSI	60	70	7	2.0/2.0	5.3kV	100/200/----	.44	.35	.29	.27			
782-CNY17F-3X001	I	DIP-6	UL/BSI	60	70	7	2.0/2.0	5.3kV	34/70/----	.82	.571	.385	.292			
782-CNY17F-3X006	I	DIP-6	UL/BSI	60	70	7	2.0/2.0	5.3kV	34/70/----	.39	.31	.25	.22			
782-CNY17F-3X016	I	DIP-6	UL/BSI	60	70	7	2.0/2.0	5.3kV	34/70/----	.39	.28	.23	.22			
782-CNY17-4	I	DIP-6	UL/BSI	60	70	7	2.0/2.0	5.3kV	160/320/----	.30	.257	.224	.199			
782-CNY17F-4	I	DIP-6	UL/BSI	60	70	7	2.0/2.0	5.3kV	160/320/----	.31	.24	.21	.19			
782-H11A1	I	DIP-6	UL/BSI/CSA	60	70	7	2.0/2.0	5.3kV	160/320/----	.54	.398	.279	.212			
782-H11A2	I	DIP-6	UL/BSI/CSA	60	70	7	3.0/3.0	5.3kV	70/---/----	.70	.48	.35	.28			
782-H11A3	I	DIP-6	UL/BSI/CSA	60	70	7	3.0/3.0	5.3kV	20/---/----	.44	.37	.30	.26			
782-H11A4	I	DIP-6	UL/BSI/CSA	60	70	7	3.0/3.0	5.3kV	20/---/----	.44	.37	.30	.26			
782-H11A5	I	DIP-6	UL/BSI/CSA	60	70	7	3.0/3.0	5.3kV	10/---/----	.46	.37	.30	.27			
782-IL2	I	DIP-6	UL	60	70	7	2.6/2.2	5.3kV	100/200/500	.63	.53	.44	.39			
78-V0610A-1	F	DIP-4	BSI, CUL, FIMKO, UL	60	70	7	3.0/4.7	5000	40/---/80	.39	.24	.22	.192			
78-V0610A-2	F	DIP-4	BSI, CUL, FIMKO, UL	60	70	7	3.0/4.7	5000	63/---/125	.39	.24	.22	.192			
78-V0610A-3	F	DIP-4	BSI, CUL, FIMKO, UL	60	70	7	3.0/4.7	5000	100/---/200	.39	.24	.22	.192			
78-V0610A-3X007T	F	SMD-4	BSI, CUL, FIMKO, UL	60	70	7	3.0/4.7	5000	100/---/200	.52	.32	.29	.225			
78-V0610A-3X016	F	DIP-4	BSI, CUL, FIMKO, UL, VDE	60	70	7	3.0/4.7	5000	100/---/200	.52	.32	.29	.225			
78-V0617A	F	DIP-4	UL/DIN/BSI/FIMKO	60	80	7	2.0	5000	50/---/100	.30	.22	.20	.181			
78-V0617A-3	F	DIP-4	UL/DIN/BSI/FIMKO	60	80	7	2.0	5000	100/---/200	.30	.22	.20	.181			
78-V0617A-3X017T	F	SMD-4	UL/DIN/BSI/FIMKO	60	80	7	2.0	5000	100/---/200	.45	.33	.30	.27			
78-V0618A	F	DIP-4	UL/DIN/BSI/FIMKO	60	80	7	2.0	5000	50/---/100	.43	.31	.28	.26			
78-V0618A-3	F	DIP-4	UL/DIN/BSI/FIMKO	60	80	7	2.0	5000	100/---/200	.43	.31	.28	.26			
78-V0618A-3X017T	F	SMD-4	UL/DIN/BSI/FIMKO	60	80	7	2.0	5000	100/---/200	.55	.40	.36	.33			
78-VOL618A-2T	F	SOP-4	UL/DIN/BSI/FIMKO	60	80	7	3.5/5.0	5000	63/---/125	.48	.38	.31	.29			
78-VOL617A-1X001T	F	SOP-4	UL/DIN/BSI/FIMKO	60	80	7	3.5/5.0	5000	40/---/80	.35	.28	.23	.21			
78-VOL617A-2X001T	F	SOP-4	UL/DIN/BSI/FIMKO	60	80	7	3.5/5.0	5000	63/---/125	.35	.28	.23	.21			
78-VOL617A-3X001T	F	SOP-4	UL/DIN/BSI/FIMKO	60	80	7	3.5/5.0	5000	100/---/200	.35	.28	.23	.21			
78-VOL617A-4X001T	F	SOP-4	UL/DIN/BSI/FIMKO	60	80	7	3.5/5.0	5000	160/---/320	.35	.28	.23	.21			
78-VOS628A-2T	G	SSOP-4	UL, DIN, FIMKO, CQC	60	80	7	10.0/									

PHOTO TRANSISTOR OUTPUT (CONT.)

◆ Surface Mount Device

Safety Standards:

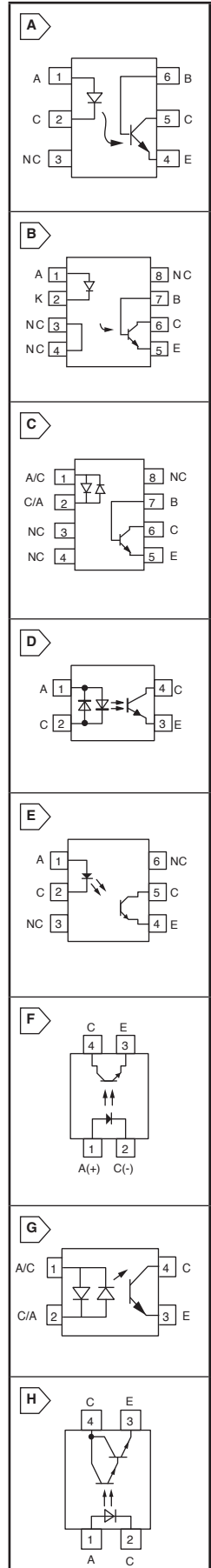
• UL = UL Recognized (UL File No: E76222)

• UL/VDE = UL Recognized (E76222) and VDE Recognized
 • UL/BSI/VDE = UL Recognized (E76222), BSI and VDE Recognized



For quantities greater than listed, call for quote.

MOUSER STOCK NO.		Fig.	Package	Safety Standard	IF (mA)	VCEO (Max.) (V)	VECO (Max.) (V)	Rise and Fall Times Typ. (μs)	Isolation Voltage (VRMS)	Current Transfer Ratio (Min./Typ./Max.) (%)	Price Each		
Mfr.	Mfr. Part No.										1	100	500
◆	782—CNY75A	A	DIP-6	UL/BSI/VDE	60	70	7	—/—/—	5.0kV	63/—/125	.31	.24	.21
◆	782—CNY75B	A	DIP-6	UL/BSI/VDE	60	70	7	—/—/—	5.0kV	100/—/200	.20	.179	.168
◆	782—CNY75C	A	DIP-6	UL/BSI/VDE	60	70	7	—/—/—	5.0kV	160/—/320	.31	.24	.21
◆	782—CNY75GA	A	DIP-6	UL/BSI/VDE	60	70	7	3.0/3.7	5.0kV	63/—/125	.32	.26	.21
◆	782—CNY75GB	A	DIP-6	UL/BSI/VDE	60	70	7	3.0/3.7	5.0kV	100/—/200	.31	.24	.21
◆	782—CNY75GC	A	DIP-6	UL/BSI/VDE	60	70	7	3.0/3.7	5.0kV	160/—/320	.31	.23	.19
◆	782—CQY80N	A	DIP-6	UL/BSI/VDE	60	32	7	7.0/6.7	5.0kV	50/90/—	.27	.20	.184
◆	782—CQY80NG	A	DIP-6	UL/BSI/VDE	60	32	7	7.0/6.7	5.0kV	50/90/—	.27	.20	.184
◆	782—IL205AT	B	SOIC-8	UL/CSA	60	70	7	3.0/3.0	4.0kV	40/—/80	.82	.70	.51
◆	782—IL206AT	B	SOIC-8	UL/CSA	60	70	7	3.0/3.0	4.0kV	63/—/125	.82	.70	.51
◆	782—IL208AT	B	SOIC-8	UL/CSA	60	70	7	3.0/3.0	4.0kV	100/—/320	.82	.70	.51
◆	782—IL211AT	B	SOIC-8	UL/CSA	60	30	7	3.0/3.0	4.0kV	20/50/—	.82	.70	.51
◆	782—IL217AT	B	SOIC-8	UL/CSA	60	30	7	3.0/3.0	4.0kV	100/130/—	.95	.74	.614
◆	782—IL256AT	C	SOIC-8	UL/CSA	60	30	5	—/—/—	4.0kV	20/—/—	1.04	.82	.64
◆	782—K814P	D	DIP-4	UL/CSA	60	70	7	3.0/4.7	5.0kV	20/—/300	.27	.23	.19
◆	782—K815P	D	DIP-4	UL/CSA	60	35	7	—/0.3/—	5.0kV	600/800/—	.26	.21	.17
◆	782—MCT5211	A	DIP-6	UL/BSI/CSA	40	30	7	—/—/—	5.3kV	150/300/—	.93	.78	.62
◆	782—MOC8102	E	DIP-6	UL/BSI/CSA	60	30	7	2.0/2.0	5.3kV	73/—/117	.62	.41	.30
◆	782—SFH600-2	A	DIP-6	UL/BSI/CSA	60	70	7	2.0/2.5	5.3kV	100/—/200	.32	.222	.187
◆	782—SFH600-3	A	DIP-6	UL/BSI/CSA	60	70	7	2.0/2.5	5.3kV	160/—/320	.32	.222	.187
◆	78—SFH6156-2T	F	SMD-4	UL	60	70	7	2.0/2.0	5.3kV	63/—/125	.85	.58	.42
◆	782—SFH6156-3T	F	SMD-4	UL	60	70	7	2.0/2.0	5.3kV	100/—/200	.87	.62	.45
◆	782—SFH6156-4T	F	SMD-4	UL	60	70	7	2.0/2.0	5.3kV	160/—/320	.47	.402	.322
◆	782—SFH6156-4X001T	F	SMD-4	UL	60	70	7	2.0/2.0	5.3kV	160/—/320	.54	.43	.35
◆	782—SFH615A-2	F	DIP-4	UL	60	70	7	2.0/2.0	5.3kV	63/—/125	.42	.361	.289
◆	782—SFH615A-3	F	DIP-4	UL	60	70	7	2.0/2.0	5.3kV	100/—/200	.70	.46	.34
◆	782—SFH615A-4	F	DIP-4	UL	60	70	7	2.0/2.0	5.3kV	160/—/320	.42	.361	.289
◆	782—SFH617A-3X007T	F	SMD-4	UL/BSI/CSA	60	70	7	2.0/2.0	5.3kV	100/—/200	.61	.49	.40
◆	782—SFH6186-2T	F	SMD-4	UL/BSI/CSA	60	55	7	3.5/5.0	5.3kV	63/—/125	.67	.53	.44
◆	782—SFH6186-3T	F	SMD-4	UL/BSI/CSA	60	55	7	3.5/5.0	5.3kV	100/—/200	1.00	.70	.55
◆	782—SFH6186-3X001T	F	SMD-4	UL/BSI/CSA	60	55	7	3.5/5.0	5.3kV	100/—/200	.72	.57	.47
◆	782—SFH6186-4T	F	SMD-4	UL/BSI/CSA	60	55	7	3.5/5.0	5.3kV	160/—/320	.67	.53	.44
◆	782—SFH6186-5T	F	SMD-4	UL/BSI/CSA	60	55	7	3.5/5.0	5.3kV	250/—/500	.67	.53	.44
◆	782—SFH618A-2	F	DIP-4	UL/BSI/CSA	60	55	7	3.5/5.0	5.3kV	63/—/125	.58	.49	.397
◆	782—SFH618A-3	F	DIP-4	UL/BSI/CSA	60	55	7	3.5/5.0	5.3kV	100/—/200	.58	.49	.397
◆	782—SFH618A-4	F	DIP-4	UL/BSI/CSA	60	55	7	3.5/5.0	5.3kV	160/—/320	.58	.49	.397
◆	782—SFH618A-5	F	DIP-4	UL/BSI/CSA	60	55	7	3.5/5.0	5.3kV	250/—/500	.39	.36	.323
◆	782—SFH6206-2	G	SMD-4	UL/BSI/CSA	60	70	7	2.0/2.0	5.3kV	63/—/200	.50	.421	.345
◆	782—SFH6206-3T	G	SMD-4	UL/BSI/CSA	60	70	7	2.0/2.0	5.3kV	100/—/320	.56	.45	.37
◆	782—SFH620A-2	G	DIP-4	UL/BSI/CSA	60	70	7	2.0/2.0	5.3kV	63/—/200	.82	.55	.41
◆	782—SFH620A-3	G	DIP-4	UL/BSI/CSA	60	70	7	2.0/2.0	5.3kV	100/—/320	.50	.421	.345
◆	782—SFH6286-2T	G	SMD-4	UL/BSI	50	55	7	3.5/5.0	5.3kV	63/—/200	.82	.65	.54
◆	782—SFH6286-3T	G	SMD-4	UL/BSI	50	55	7	3.5/5.0	5.3kV	100/—/320	.82	.65	.54
◆	782—SFH6286-4T	G	SMD-4	UL/BSI	50	55	7	3.5/5.0	5.3kV	160/—/500	.82	.65	.54
◆	782—SFH628A-3	G	DIP-4	UL/BSI	50	55	7	3.5/5.0	5.3kV	100/—/320	1.07	.75	.58
◆	782—SFH628A-4	G	DIP-4	UL/BSI	50	55	7	3.5/5.0	5.3kV	160/—/500	1.07	.75	.58
◆	782—CNY65AYST	G	SMD-4	DIN/IEC/VDE	75	32	7	2.4/2.7	8.2kV	50/—/150	1.89	1.58	1.30
◆	782—CNY65ST	G	SMD-4	DIN/IEC/VDE	75	32	7	2.4/2.7	8.2kV	50/—/300	1.79	1.50	1.23
◆	78—CNY66	G	4-Pin	UL/VDE	75	32	7	2.4/2.7	13.9kV	50/—/300	3.16	1.95	1.62
◆	782—CNY65A	G	4-Pin	UL/VDE	75	32	7	2.4/2.7	13.9kV	63/—/125	1.70	1.35	1.17
◆	782—CNY65B	G	4-Pin	UL/VDE	75	32	7	2.4/2.7	13.9kV	100/—/200	1.76	1.40	1.21
◆	782—CNY65EXI	G	4-Pin	—	75	32	7	2.4/2.4	11.6kV	50/100/300	5.37	4.26	3.70
◆	78—SFH690AT	F	SOP-4	UL/BSI/CSA	50	70	7	3.0/4.0	3.75kV	50/—/150	.77	.52	.38
◆	782—SFH690BT	F	SOP-4	UL/BSI/CSA	50	70	7	3.0/4.0	3.75kV	100/—/300	.77	.52	.38
◆	78—TCDT1101	E	DIP-6	UL/BSI	60	32	7	7.0/6.7	5.3kV	40/—/80	.34	.27	.22
◆	782—TCDT1101G	E	DIP-6	UL/BSI	60	32	7	7.0/6.7	5.3kV	40/—/80	.34	.24	.195
◆	78—TCDT1102	E	DIP-6	UL/BSI	60	32	7	7.0/6.7	5.3kV	63/—/125	.32	.25	.22
◆	782—TCDT1102G	E	DIP-6	UL/BSI	60	32	7	7.0/6.7	5.3kV	63/—/125	.32	.25	.22
◆	78—TCDT1103	E	DIP-6	UL/BSI	60	32	7	7.0/6.7	5.3kV	100/—/200	.32	.25	.22
◆	782—TCDT1110	E	DIP-6	UL/BSI	60	70	7	15/15	5.3kV	100/—/—	.34	.24	.195
◆	78—TCDT1120	E	DIP-6	UL/BSI/CSA	60	70	7	3.0/3.7	5.0kV	40/—/—	.31	.24	.195
◆	782—TCDT1120G	E	DIP-6	UL/BSI/CSA	60	70	7	3.0/3.7	5.0kV	40/—/—	.34	.24	.195
◆	78—TCDT1122	E	DIP-6	UL/BSI/CSA	60	70	7	3.0/3.7	5.0kV	63/—/125	.35	.25	.21
◆	782—TCDT1122G	E	DIP-6	UL/BSI/CSA	60	70	7	3.0/3.7	5.0kV	63/—/125	.35	.25	.21
◆	78—TCDT1124	E	DIP-6	UL/BSI/CSA	60	70	7	3.0/3.7	5.0kV	160/—/320	.35	.25	.21
◆	782—TCET1100	F	DIP-4	UL/BSI/CSA/VDE	60	70	7	3.0/4.7	5.0kV	50/—/600	.26	.20	.174
◆	782—TCET1100G	F	DIP-4	UL/BSI/CSA/VDE	60	70	7	3.0/4.7	5.0kV	50/—/600	.26	.20	.17
◆	782—TCET1101	F	DIP-4	UL/BSI/CSA/VDE	60	70	7	3.0/4.7	5.0kV	40/—/80	.25	.22	.18
◆	782—TCET1102	F	DIP-4	UL/BSI/CSA/VDE	60	70	7	3.0/4.7	5.0kV	63/—/125	.25	.22	.18
◆	782—TCET1103	F	DIP-4	UL/BSI/CSA/VDE	60	70	7	3.0/4.7	5.0kV	100/—/200	.25	.22	.18
◆	782—TCET1106	F	DIP-4	UL/BSI/CSA/VDE	60	70	7	3.0/4.7	5.0kV	100/—/300	.25	.22	.18
◆	782—TCET1107	F	DIP-4	UL/BSI/CSA/VDE	60	70	7	3.0/4.7	5.0kV	80/—/160	.25	.22	.18
◆	782—TCET1600	D	DIP-4	UL/BSI/CSA/VDE	60	70	7	3.0/4.7	5.0kV	20/—/300	.27	.23	.19
◆	782—TCLD1000	H	SOP-4L	UL/BSI/CSA/VDE	60	35	7	0.3/0.25	5.0kV	600/800/—	.38	.31	.26
◆	782—TCLT1000	F	SOP-4L	UL/BSI/CSA/VDE	60	70	7	3.0/4.7	5.0kV	50/—/600	.37	.31	.26
◆	782—TCLT1002	F	SOP-4L	UL/BSI/CSA/VDE	60	70	7	3.0/4.7	5.0kV	63/—/125	.67	.47	.34
◆	782—TCLT1003	F	SOP-4L	UL/BSI/CSA/VDE	60	70	7	3.0/4.7	5.0kV	100/—/200	.37	.31	.22
◆	782—TCLT1005	F	SOP-4L	UL/BSI/CSA/VDE	60	70	7	3.0/4.7	5.0kV	50/—/150	.37	.31	.26
◆	782—TCLT1006	F	SOP-4L	UL/BSI/CSA/VDE	60	70	7	3.0/4.7	5.0kV	100/—/300	.69	.47	.34
◆	782—TCLT1007	F	SOP-4L	UL/BSI/CSA/VDE	60	70	7	3.0/4.7	5.0kV	80/—/160	.39	.31	.26
◆	782—TCLT1008	F	SOP-4L	UL/BSI/CSA/VDE	60	70	7	3.0/4.7	5.0kV	130/—/260	.77	.71	.61
◆	782—TCLT1009	F	SOP-4L	UL/BSI/CSA/VDE	60	70	7	3.0/4.7	5.0kV	200/—/400	.37	.31	.26



VISHAY Optocouplers



Products may be RoHS compliant. Check mouser.com for RoHS status.

Surface Mount Devices

PHOTO TRANSISTOR OUTPUT (CONT.)

Safety Standards:

- UL = UL Recognized (UL File No: E76222)
- UL/VDE = UL Recognized (E76222) and VDE Recognized
- UL/BSI/VDE = UL Recognized (E76222), BSI and VDE Recognized



For quantities greater than listed, call for quote.

MOUSER STOCK NO.		Fig.	Package	Safety Standard	IF (mA)	VCEO (Max.) (V)	VECO (Max.) (V)	Rise and Fall Times Typ. (μs)	Isolation Voltage (VRMS)	Current Transfer Ratio (Min./Typ./Max.) (%)	Price Each			
Mfr.	Mfr. Part No.										1	100	500	1000
Single Channel														
◆	782—TCLT1100	A	SOP-6L5	UL/BSI/CSA/VDE	60	70	7	3.0/4.7	5.0kV	50/---/600	.37	.31	.26	.25
◆	782—TCLT1105	A	SOP-6L5	UL/BSI/CSA/VDE	60	70	7	3.0/4.7	5.0kV	50/---/150	.37	.31	.26	.25
◆	782—TCLT1109	A	SOP-6L5	UL/BSI/CSA/VDE	60	70	7	3.0/4.7	5.0kV	200/---/400	.37	.31	.26	.25
◆	782—TCLT1600	B	SOP-4L	UL/BSI/CSA/VDE	60	70	7	3.0/4.7	5.0kV	80/---/300	.42	.33	.27	.24
◆	782—TCMT1100	C	SOP-4L	UL/CSA	60	70	7	3.0/4.7	3.75kV	50/---/600	.67	.48	.35	.28
◆	782—TCMT1102	C	SOP-4L	UL/CSA	60	70	7	3.0/4.7	3.75kV	63/---/125	.36	.26	.225	.22
◆	782—TCMT1103	C	SOP-4L	UL/CSA	60	70	7	3.0/4.7	3.75kV	100/---/200	.36	.26	.225	.22
◆	782—TCMT1104	C	SOP-4L	UL/CSA	60	70	7	3.0/4.7	3.75kV	160/---/320	.36	.26	.225	.22
◆	782—TCMT1106	C	SOP-4L	UL/CSA	60	70	7	3.0/4.7	3.75kV	100/---/300	.36	.27	.23	.22
◆	782—TCMT1107	C	SOP-4L	UL/CSA	60	70	7	3.0/4.7	3.75kV	80/---/160	.36	.26	.225	.22
◆	782—TCMT1108	C	SOP-4L	UL/CSA	60	70	7	3.0/4.7	3.75kV	130/---/360	.36	.26	.23	.22
◆	782—TCMT1109	C	SOP-4L	UL/CSA	60	70	7	3.0/4.7	3.75kV	200/---/400	.67	.48	.35	.28
◆	78—TCMT1600	B	SOP-4L	UL/CSA	60	70	7	3.0/4.7	3.75kV	80/---/300	.73	.49	.415	.332
Dual Channel														
◆	782—CNY74-2H	D	DIP-8	UL	60	70	7	3.0/4.7	5.3kV	50/---/600	.62	.494	.43	.382
◆	782—ILD2	D	DIP-8	UL/BSI/VDE	60	70	---	2.6/2.2	5.3kV	100/200/500	1.45	1.22	1.01	.883
◆	782—ILD205T	D	SOIC-8	UL/CSA	30	70	7	5.0/4.0	4.0kV	40/---/80	1.13	.843	.623	.539
◆	782—ILD206T	D	SOIC-8	UL/CSA	30	70	7	5.0/4.0	4.0kV	63/---/125	.82	.691	.573	.503
◆	782—ILD207T	D	SOIC-8	UL/CSA	30	70	7	5.0/4.0	4.0kV	100/---/200	1.14	.90	.70	.55
◆	782—ILD211T	D	SOIC-8	UL/CSA	30	70	7	5.0/4.0	4.0kV	20/---/---	1.14	.90	.70	.55
◆	782—ILD213T	D	SOIC-8	UL/CSA	30	70	7	5.0/4.0	4.0kV	100/---/---	.82	.691	.573	.503
◆	782—ILD217T	D	SOIC-8	UL/CSA	30	70	7	5.0/4.0	4.0kV	100/120/---	1.21	.96	.75	.59
◆	782—ILD256T	E	SOIC-8	UL	30	70	7	---	4.0kV	20/---/---	1.74	1.17	.775	.752
◆	782—ILD615-2	D	DIP-8	UL/BSI/CSA	60	70	7	2.0/2.0	5.3kV	---/40/---	1.10	.92	.76	.667
◆	782—ILD615-3	D	DIP-8	UL/BSI/CSA	60	70	7	2.0/2.0	5.3kV	---/60/---	1.37	1.14	.762	.665
◆	782—ILD615-4	D	DIP-8	UL/BSI/CSA	60	70	7	2.0/2.0	5.3kV	---/100/---	1.12	.94	.78	.68
◆	782—ILD620	E	DIP-8	UL/BSI/CSA	60	70	---	20/2.0	5.3kV	50/80/600	1.58	1.33	.996	.896
◆	782—ILD620GB	E	DIP-8	UL/BSI/CSA	60	70	---	20/2.0	5.3kV	100/200/600	2.25	1.62	1.25	1.03
◆	782—ILD621GB	F	DIP-8	UL/BSI/VDE	60	---	70	2.0/2.0	5.3kV	100/200/600	1.27	1.07	.85	.74
◆	782—MCT6	D	DIP-8	UL/BSI/CSA	60	30	7	3.0/3.0	5.3kV	20/50/---	.96	.67	.52	.50
◆	782—MCT6H	D	DIP-8	UL	60	70	7	3.0/4.7	5.0kV	50/100/---	.81	.68	.55	.52
Quad Channel														
◆	782—CNY74-4H	G	DIP-16	UL	60	70	7	3.0/4.7	5.3kV	50/---/600	1.16	1.02	.84	.74
◆	782—ILQ1	G	DIP-16	UL/BSI/VDE	60	50	---	1.9/1.4	5.3kV	20/80/300	2.35	1.70	1.32	1.10
◆	782—ILQ2	G	DIP-16	UL/BSI/VDE	60	70	---	2.6/2.2	5.3kV	100/200/500	2.67	1.97	1.52	1.25
◆	782—ILQ615-1	H	DIP-16	UL/BSI/CSA	60	70	7	2.0/2.0	5.3kV	---/25/---	2.43	2.04	1.69	1.47
◆	782—ILQ615-2	H	DIP-16	UL/BSI/CSA	60	70	7	2.0/2.0	5.3kV	---/40/---	2.31	1.94	1.60	1.40
◆	782—ILQ615-3	H	DIP-16	UL/BSI/CSA	60	70	7	2.0/2.0	5.3kV	---/60/---	2.31	1.94	1.60	1.40
◆	782—ILQ615-4	H	DIP-16	UL/BSI/CSA	60	70	7	2.0/2.0	5.3kV	---/100/---	2.43	2.04	1.69	1.47
◆	782—ILQ620	I	DIP-16	UL/BSI/CSA	60	70	---	20/2.0	5.3kV	50/80/600	3.43	2.51	2.03	1.71
◆	782—ILQ620GB	I	DIP-16	UL/BSI/CSA	60	70	---	20/2.0	5.3kV	100/200/600	3.84	2.80	2.26	1.90
◆	782—ILQ621	H	DIP-16	UL/BSI/VDE	60	---	70	2.0/2.0	5.3kV	50/80/600	2.31	1.94	1.45	1.30
◆	782—ILQ621GB	H	DIP-16	UL/BSI/VDE	60	---	70	2.0/2.0	5.3kV	100/200/600	2.80	2.05	1.67	1.40
◆	782—ILQ74	G	DIP-16	UL/BSI/CSA	60	20	5	3.0/3.0	5.3kV	12.5/35/---	2.00	1.80	1.60	1.56
◆	782—K844P	I	DIP-16	UL/CSA	60	70	7	3.0/4.7	5.0kV	20/---/300	1.35	.83	.71	.691
◆	782—K847PH	H	DIP-16	UL/CSA	60	70	7	3.0/4.7	5.0kV	50/---/600	.94	.827	.70	.614
◆	782—SFH6916	H	SOP-16	UL	50	70	7	15/0.5	3.75kV	50/---/300	2.12	1.98	1.84	1.84
◆	782—TCMT4100	H	SOP-16	UL/CSA	60	70	7	3.0/4.7	3.75kV	50/---/600	1.18	.97	.83	.79
◆	782—TCMT4600	I	SOP-16	UL/CSA	60	70	7	3.0/4.7	3.75kV	80/---/300	1.56	1.27	.89	.81

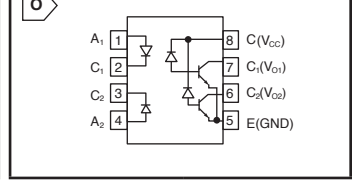
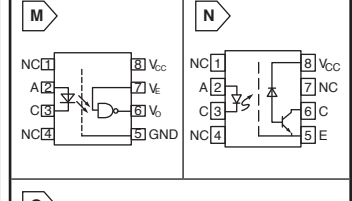
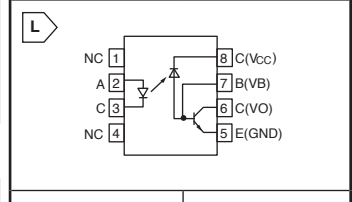
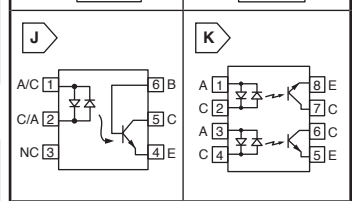
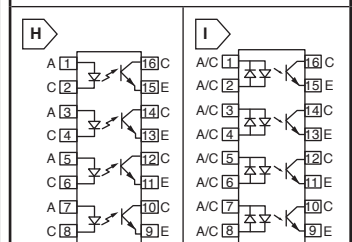
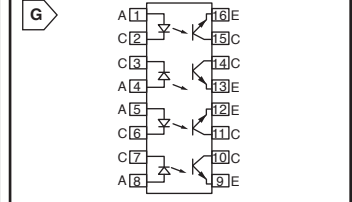
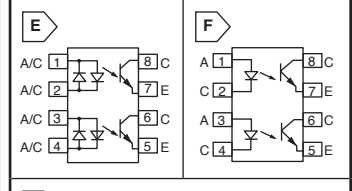
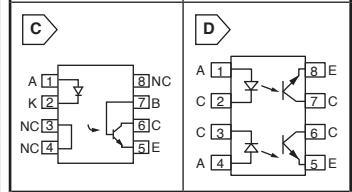
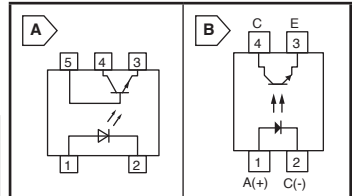


PHOTO TRANSISTOR OUTPUT, BI-DIRECTIONAL INPUT

For quantities greater than listed, call for quote.

MOUSER STOCK NO.		Fig.	Package	Safety Standard	IF (mA)	VCER (Max.) (V)	VECO (Max.) (V)	Rise and Fall Times Typ. (μs)	Isolation Voltage (VRMS)	Current Transfer Ratio (Min./Typ./Max.) (%)	Price Each			
Mfr.	Mfr. Part No.										1	100	500	1000
Single Channel														
◆	782—H11AA1	J	DIP-6	UL/BSI/CSA	60	30	5	---/---	5.3kV	20/---/---	.98	.80	.542	.474
◆	782—IL250	J	DIP-6	UL/BSI/CSA	60	30	5	---/---	5.3kV	50/---/---	.90	.76	.63	.56
◆	782—IL251	J	DIP-6	UL/BSI/CSA	60	30	5	---/---	5.3kV	20/---/---	.96	.74	.59	.57
◆	782—IL252	J	DIP-6	UL/BSI/CSA	60	30	5	---/---	5.3kV	100/---/---	1.28	1.05	.712	.622
Dual Channel														
◆	782—ILD250	K	DIP-8	UL/BSI/CSA	60	30	5	---/---	5.3kV	50/---/---	2.95	2.15	1.67	1.38

PHOTO TRANSISTOR OUTPUT, HIGH SPEED

For quantities greater than listed, call for quote.

MOUSER STOCK NO.		Fig.	Package	Safety Standard	IF (mA)	Max. Supply Volt. (V)	Data Rate Typ. (bit/s)	Delay Time tPHL/tPLH (Typ.) (μs)	Isolation Voltage (VRMS)	Current Transfer Ratio (Min./Typ./Max.) (%)	Price Each			
Mfr.	Mfr. Part No.										1	100	500	1000
Single Channel														
◆	782—6N135	L	DIP-8	UL/CSA	25	15	1.0M	0.3/0.3	5.3kV	7.0/16/---	1.29	.92	.699	.552
◆	782—6N136	L	DIP-8	UL/CSA	25	15	1.0M	0.2/0.2	5.3kV	19/35/---	1.58	1.11	.861	.68
◆	782—6N137	M	DIP-8	UL/CSA	20	7.0	10M	0.05/0.048	5.3kV	---/---/---	1.58	1.14	.894	.741
◆	782—SFH6136	L	DIP-8	UL/CSA	25	30	1.0M	0.3/0.3	5.3kV	19/35/---	.92	.775	.643	.564
◆	782—SFH6316T	L	SOIC-8	UL/CSA	25	30	1.0M	0.25/0.50	4.0kV	19/35/50	1.86	1.30	1.00	.849
◆	782—SFH6343T	N	SOIC-8	UL/CSA	25	30	1.0M	0.25/0.50	4.0kV	15/36/---	2.07	1.45	1.12	.94
◆	782—SFH6345	N	DIP-8	UL	25	30	1.0M	0.3/0.3	5.3kV	19/30/---	1.97	1.13	.815	.773
◆	78—VOW135-X001	L	WDIP-8	VDE, UL/cUL	16	30	1.0M	0.2/2	5.3kV	7/18/---	2.57	1.78	1.58	1.42
◆	78—VOW135-X017T	L	WSMD-8	VDE, UL/cUL	16	30	1.0M	0.2/2	5.3kV	7/18/---	2.57	1.78	1.58	1.42
◆	78—VOW136-X001	L	WDIP-8	VDE, UL/cUL	16	30	1.0M	0.2/1	5.3kV	19/24/---	2.57	1.78	1.58	1.42
◆	78—VOW136-X017T	L	WSMD-8	VDE, UL/cUL	16	30	1.0M	0.2/1	5.3kV	19/24/---	2.70	1.87	1.66	1.49
◆	78—VOW137-X001	M	WDIP-8	VDE, UL/cUL	20	7	10M	49/46	5.3kV	---/---/---	3.41	2.36	2.10	1.89
◆	78—VOW137-X017T	M	WSMD-8	VDE, UL/cUL	10	7	10M	49/46	5.3kV	---/---/---	3.54	2.45	2.18	1.96
◆	78—VOW2611-X001	M	WDIP-8	VDE, UL/cUL	10	7	10M	49/46	5.3kV	---/---/---	3.09	2.14	1.90	1.71
◆	78—VOW2611-X017T	M	WSMD-8	VDE, UL/cUL	20	7								

VISHAY Optocouplers



Products may be RoHS compliant. Check mouser.com for RoHS status.

PHOTO TRANSISTOR OUTPUT, HIGH SPEED (CONT.)

Safety Standards:

- UL = UL Recognized (UL File No: E76222)
- UL/VDE = UL Recognized (E76222) and VDE Recognized
- UL/BSI/VDE = UL Recognized (E76222), BSI and VDE Recognized

Surface Mount Devices

MOUSER STOCK NO.		Fig.	Package	Safety Standard	IF (mA)	Max. Supply Volt. (V)	Data Rate Typ. (bit/s)	Delay Time tPHL/tPLH (Typ.) (μs)	Isolation Voltage (VRMS)	Current Transfer Ratio (Min./Typ./Max.) (%)	Price Each			
Mfr.	Mfr. Part No.										1	100	500	1000
Single Channel														
◆	782—SFH6700	A	DIP-8	UL	10	15	5.0M	0.115/0.125	5.3kV	---/---/---	1.54	1.14	.94	.80
	782—SFH6701	A	DIP-8	UL	10	15	5.0M	0.115/0.125	5.3kV	---/---/---	1.37	1.03	.82	.80
◆	782—SFH6720T	B	SOIC-8	UL	19	15	5.0M	0.125/0.125	3.0kV	---/---/---	2.12	1.62	1.26	1.06
◆	782—VO2601	C	DIP-8	UL/CSA	20	7.0	10.0M	0.05/0.048	5.3kV	---/---/---	1.74	1.26	.983	.814
◆	782—VO0601T	C	SOIC-8	UL/CSA	20	7.0	10.0M	0.05/0.048	4.0kV	---/---/---	2.61	2.00	1.55	1.30
Dual Channel														
◆	782—VO0630T	D	SOIC-8	UL/CSA	20	7.0	10.0M	0.05/0.048	4.0kV	---/---/---	2.68	2.14	1.77	1.70
◆	782—VO0631T	D	SOIC-8	UL/CSA	20	7.0	10.0M	0.05/0.048	4.0kV	---/---/---	2.81	2.25	1.85	1.74
◆	782—VO0661T	D	SOIC-8	UL/CSA	20	7.0	10.0M	0.05/0.048	4.0kV	---/---/---	2.94	2.35	1.94	1.80

For quantities greater than listed, call for quote.

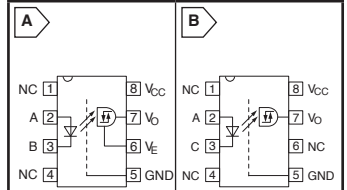


PHOTO TRANSISTOR OUTPUT, HIGH VOLTAGE

For quantities greater than listed, call for quote.

MOUSER STOCK NO.		Fig.	Package	Safety Standard	IF (mA)	VCBO (max) (V)	VEBO (max) (V)	Rise and Fall Times Typ. (μs)	Isolation Voltage (VRMS)	Current Transfer Ratio (Min./Typ./Max.) (%)	Price Each			
Mfr.	Mfr. Part No.										1	100	500	1000
Single Channel														
	782—H11D1	E	DIP-6	UL/BSI	60	300	7	2.5/5.5	5.3kV	20/---/---	1.14	.953	.764	.677
	782—H11D2	E	DIP-6	UL/BSI	60	300	7	2.5/5.5	5.3kV	20/---/---	1.15	.92	.76	.64

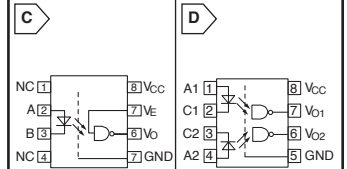


PHOTO TRIAC OUTPUT (NON-ZERO CROSSING)

For quantities greater than listed, call for quote.

MOUSER STOCK NO.		Fig.	Package	Safety Standard	dV/dtcr (Typ.) (V/μs)	VDRM (max) (V)	IF (mA)	Reverse Voltage (max.) (V)	Isolation Voltage (VRMS)	Current Transfer Ratio (Min./Typ./Max.) (%)	Price Each			
Mfr.	Mfr. Part No.										1	100	500	1000
Single Channel														
	78—VOM3053T	F	SOP-4	UL, cUL, VDE, CQC	1500	600	60.0	6.0	3750	---/---/---	1.16	.92	.74	.66
	78—VOM3052T	F	SOP-4	UL, cUL, VDE, CQC	1500	600	60.0	6.0	3750	---/---/---	1.09	.86	.70	.62
	78—VOM160NT	F	SOP-4	UL, cUL, VDE, CQC	500	600	60.0	6.0	3750	---/---/---	.78	.62	.50	.45
	78—VOM160PT	F	SOP-4	UL, cUL, VDE, CQC	500	600	60.0	6.0	3750	---/---/---	.89	.70	.57	.51
	78—VOM160RT	F	SOP-4	UL, cUL, VDE, CQC	500	600	60.0	6.0	3750	---/---/---	.99	.78	.63	.56
	782—IL420	G	DIP-6	UL/CSA	10000	600	60.0	6.0	5.3kV	1.0/2.0	3.27	2.38	1.92	1.62
	782—IL4208	G	DIP-6	UL/CSA	10000	800	60.0	6.0	5.3kV	1.0/2.0	3.55	2.59	2.09	1.77
	782—IL4218	G	DIP-6	UL/BSI/CSA	10000	800	60.0	6.0	5.3kV	0.7/---	4.50	3.28	2.65	2.23
	78—K3011P	G	DIP-6	UL/BSI	10	250	80.0	5.0	3.75kV	5.0/10.0	.51	.35	.30	.29
	78—K3012P	G	DIP-6	UL/BSI	10	250	80.0	5.0	3.75kV	2.0/5.0	.53	.44	.37	.328
	78—K3020P	G	DIP-6	UL/BSI	10	400	80.0	5.0	3.75kV	15.0/30.0	.50	.37	.29	.28
	78—K3021P	G	DIP-6	UL/BSI	10	400	80.0	5.0	3.75kV	8.0/15.0	.84	.548	.353	.304
	78—K3021PG	G	DIP-6	UL/BSI	10	400	80.0	5.0	3.75kV	8.0/15.0	.51	.43	.35	.317
	78—K3022P	G	DIP-6	UL/BSI	10	400	80.0	5.0	3.75kV	5.0/10.0	.53	.40	.32	.315
	782—K3022PG	G	DIP-6	UL/BSI	10	400	80.0	5.0	3.75kV	5.0/10.0	.54	.40	.322	.313
	78—K3023P	G	DIP-6	UL/BSI	10	400	80.0	5.0	3.75kV	2.0/5.0	.93	.466	-	.338
	782—K3023PG	G	DIP-6	UL/BSI	10	400	80.0	5.0	3.75kV	2.0/5.0	.58	.47	.38	.34
	782—VO4258M	G	DIP-6	UL/CSA	5000	800	60.0	6.0	5.3kV	---/3.0	2.37	1.90	1.57	1.40

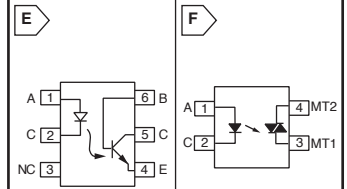
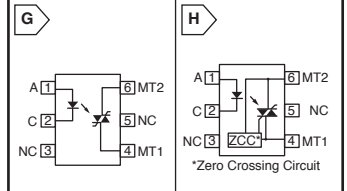


PHOTO TRIAC OUTPUT (ZERO CROSSING)

For quantities greater than listed, call for quote.

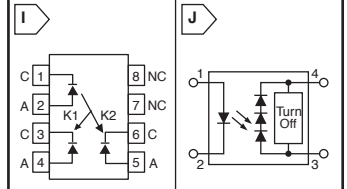
	782—IL410	H	DIP-6	UL/CSA	10000	600	60.0	6.0	5.3kV	---/2.0	3.27	2.38	1.92	1.62
	782—VO3062	H	DIP-6	UL/CUL	1500	600	60.0	6.0	5.3kV	---/1.0	1.58	1.10	.851	.69
	782—VO4150A	H	DIP-6	UL/CSA	5000	800	60.0	6.0	5.3kV	---/1.6	2.40	1.94	1.60	1.56



LINEAR OPTOCOUPLEDERS

For quantities greater than listed, call for quote.

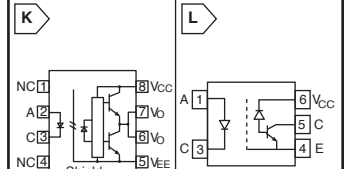
MOUSER STOCK NO.		Fig.	Package	Safety Standard	IF (mA)	Input Power Dissipation	Freq. Response (kHz)	Transfer Gain Linearity (ΔK3) (%)	Isolation Voltage (VRMS)	Input-Output Capacitance @1.0 MHz (pF)	Price Each			
Mfr.	Mfr. Part No.										1	100	500	1000
	782—IL300	I	DIP-8	UL	60	160mW	200	0.557 to 1.618	5.3kV	1	3.25	2.69	2.12	2.08
	782—IL300-DEFG	I	DIP-8	UL	60	160mW	200	0.765 to 1.181	5.3kV	1	3.35	2.78	2.19	2.14
	782—IL300-E	I	DIP-8	UL	60	160mW	200	0.851 to 0.955	5.3kV	1	10.84	8.02	6.72	5.85
	782—IL300-EF	I	DIP-8	UL	60	160mW	200	0.851 to 1.061	5.3kV	1	5.31	4.52	3.62	3.52
	782—IL300-F	I	DIP-8	UL	60	160mW	200	0.945 to 1.061	5.3kV	1	10.84	8.02	6.72	5.85



PHOTOVOLTAIC MOSFET DRIVER

For quantities greater than listed, call for quote.

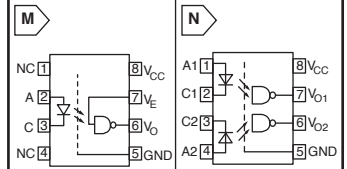
MOUSER STOCK NO.		Fig.	Package	Safety Standard	LED IF (mA)	LED VF (V)	Open circuit voltage @IF=10mA (typ) (V)	Short circuit current @IF=10mA (typ) (μA)	ton (μs)	toff (μs)	Isolation Voltage (VRMS)	Price Each			
Mfr.	Mfr. Part No.											1	100	500	1000
	78—VOM1271T	J	SOP-4	UL, CSA, FIMKO	50	1.4	8.4	15	53	24	4500	2.63	1.83	1.42	1.20



CURRENT IGBT AND MOSFET DRIVERS

For quantities greater than listed, call for quote.

MOUSER STOCK NO.		Fig.	Package	Safety Standard	IF (mA)	IOH/IOI (PEAK) (Max.) (A)	Rise and Fall Times Typ. (μs)	VCC-VEE (Min./Max.) (V)	Isolation Voltage (VRMS)	Total Power Dissipation (Max.) (mW)	Price Each			
Mfr.	Mfr. Part No.										1	100	500	1000
◆	782—VO3120-X007T	K	SMD-8	UL/CSA	25	2.5	0.1/0.1	15/32	5.3kV	295	2.11	1.61	1.25	.907
◆	782—VO3120	K	DIP-8	UL/CSA	25	2.5	0.1/0.1	15/32	5.3kV	295	1.55	1.26	1.05	.912
◆	782—VO3150A-X007T	K	SMD-8	UL/CSA	25	0.5	0.1/0.1	15/32	5.3kV	295	1.79	1.37	1.06	.81
◆	782—VO3150A	K	DIP-8	UL/CSA	25	0.5	0.1/0.1	15/32	5.3kV	295	1.30	1.04	.86	.75
◆	78—VOW3120-X017T	L	SMD-8	UL/CQC	25	2.5	0.1/0.1	15/32	5.3kV	260	4.46	3.27	2.96	2.33



ANALOG TRANSISTOR OCTOCOUPLEDERS, HIGH-SPEED

For quantities greater than listed, call for quote.

MOUSER STOCK NO.		Fig.	Package	Safety Standard	IF (mA)	Input Power Dissipation	Reverse Voltage (Max.) (V)	VCC-VEE (Typ./Max.) (V)	Isolation Voltage (VRMS)	Total Power Dissipation (Max.) (mW)	Price Each			
Mfr.	Mfr. Part No.										1	100	500	1000
Single Channel														
◆	782—VOM452T	L	SOP-5	UL/CUL	25	45mW	3	0.15/0.4	3750	45	1.14	.81	.63	.495
◆	782—VOM453T	L	SOP-5	UL/CUL	25	45mW	3	0.15/0.4	3750	45	1.33	.945	.735	.577
◆	782—VO2611-X007T	M	SMD-8	BSI/UL/CUL	20	35	5	0.2/0.6	5300	85	1.64	1.31	1.08	.921
Dual Channel														
	782—VO4661-X007T	N	SMD-8	BSI/UL/CUL	20	25	5	0.2/0.6	5300	60	2.53	2.02	1.67	1.42



VISHAY Opto Components



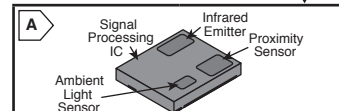
FULLY INTEGRATED PROXIMITY & AMBIENT LIGHT SENSOR WITH INFRARED EMITTER & I²C INTERFACE

RoHS Compliant This page of product is RoHS compliant.

◆ Surface Mount Devices

For quantities greater than listed, call for quote.

MOUSER STOCK NO.		Fig.	Bus	Resolution	Supply Voltage (V)	IQ (μA)	LED Pulse Current (mA)	Proximity Detection	Ambient Light		Price Each			
Mfr.	Mfr. Part No.								Detection	Resolution	1	100	500	Reel 1800
◆	78—VCNL4010-GS08	A	I ² C	16 Bit	2.5 to 3.6	1.5	10-200	200mm	0.25 to 16,363lx	0.25lx	2.94	2.15	1.72	1.37
◆	78—VCNL4020-GS08	B	I ² C	16 Bit	2.5 to 3.6	1.5	10-200	200mm	0.25 to 16,363lx	0.25lx	2.94	2.15	1.72	1.37
◆	78—VCNL3020-GS08	B	I ² C	16 Bit	2.5 to 3.6	1.5	10-200	200mm	-	-	3.03	2.22	1.76	-

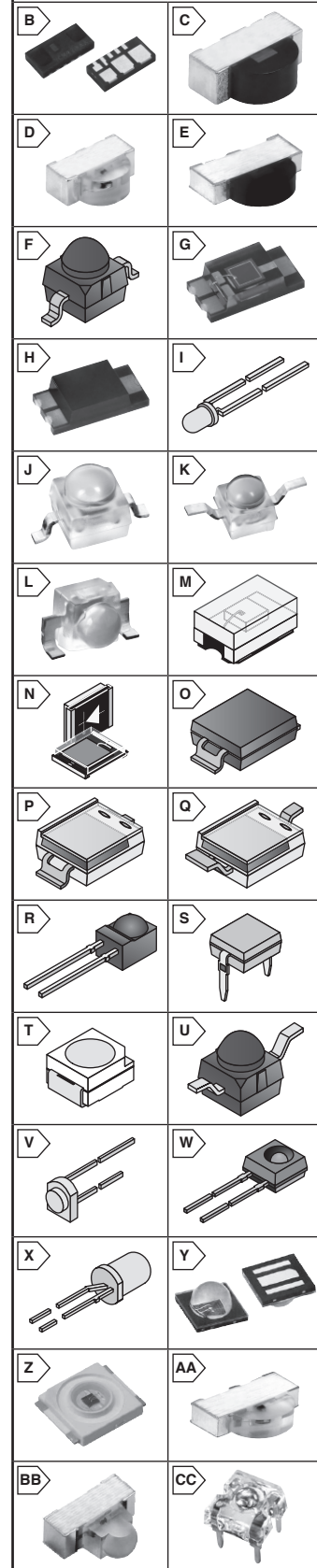


DETECTORS

◆ Surface Mount Devices

For quantities greater than listed, call for quote.

MOUSER STOCK NO.		Fig.	Angle of Half Sensitivity (°)	Reverse Light Current			Peak Wavelength (nm)	Reverse Dark Current (typ)(nA)	Rise/Fall Times (ns)	Price Each				
Mfr.	Mfr. Part No.			(Min./Typ.) (μA)	@Rev. Volt (V)	@Ee (mW/cm ²)				@Wave-length (nm)	1	100	500	1000
Photo PIN Diodes														
◆	78—VEMD11940FX01	C	±75	1.13/1.8	5	1	950	950	10	1000/1000	.29	.201	.174	.134
◆	78—VEMD10940F	D	±75	2/3	5	1	950	920	1	100/100	.21	.15	.12	.104
◆	78—VEMD10940FX01	E	±75	3/4	5	1	950	950	10	1000/1000	.30	.21	.14	.13
◆	782—VEMD2020X01	F	±15	5/12	5	1	950	940	1	100/100	.79	.534	.396	.316
◆	78—VEMD6010X01	G	±60	6.7/9.5	5	1	950	900	1	100/100	1.13	.64	.49	.38
◆	78—VEMD6110X01	H	±60	6.7/9.5	5	1	950	950	1	100/100	1.13	.64	.49	.38
◆	78—TEFD4300	I	±20	9/17	5	1	950	950	0.15	100/100	.70	.44	.32	.24
◆	78—TEFD4300F	I	±20	9/17	5	1	950	950	0.15	100/100	.70	.44	.32	.24
◆	78—VEMD2023X01	D	±35	7/10	5	1	950	940	1	100/100	.60	.42	.34	.31
◆	78—VEMD2003X01	E	±35	7/10	5	1	950	940	1	100/100	.60	.42	.34	.31
◆	78—VEMD2523X01	J	±35	7/10	5	1	950	900	1	100/100	.60	.42	.34	.31
◆	78—VEMD2503X01	K	±35	7/10	5	1	950	900	1	100/100	.60	.42	.34	.31
◆	78—VEMD2523SLX01	L	±35	7/10	5	1	950	900	1	100/100	.57	.40	.32	.30
◆	78—VEMD2023SLX01	L	±35	7/10	5	1	950	940	1	100/100	.60	.42	.34	.31
◆	782—TEMD7000X01	M	±60	----/3	5	1	950	900	1	100/100	.72	.50	.40	.35
◆	782—TEMD7100X01	M	±60	----/3	5	1	950	950	1	100/100	.74	.59	.44	.352
◆	782—TEMD5120X01	N	±65	25/35	5	1	950	940	2	100/100	1.37	1.08	.846	.79
◆	782—VBP104FAS	O	±65	25/35	5	1	950	950	2	100/100	1.00	.71	.55	.39
◆	782—VBP104S	P	±65	25/35	5	1	950	940	2	100/100	.86	.60	.48	.42
◆	782—TEMD5010	N	±65	40/55	5	1	950	900	2	100/100	1.60	1.21	1.10	1.01
◆	782—TEMD5110X01	N	±65	45/55	5	1	950	940	2	100/100	1.44	1.14	.89	.70
◆	782—VBPW34FAS	O	±65	45/55	5	1	950	950	2	100/100	.71	.58	.482	.416
◆	782—VBPW34S	P	±65	45/55	5	1	950	940	2	100/100	1.05	.75	.58	.425
◆	782—VBPW34SR	Q	±65	45/55	5	1	950	940	2	100/100	1.05	.75	.58	.425
◆	782—TEMD5080X01	N	±65	----/60	5	1	950	940	2	40/40	1.82	1.27	.988	.86
◆	782—BPV22NF	R	±60	55/85	5	1	870	940	2	100/100	.97	.678	.526	.415
◆	782—BPW34	S	±65	40/50	5	1	950	900	2	100/100	1.05	.72	.565	.453
Photo Transistors														
◆	782—VEMT2020X01	D	±15	1/100	5	50	860	20	6	-----	.75	.504	.374	.299
◆	782—VEMT2500X01	F	±15	1/100	5	50	850	20	6	-----	.71	.44	.32	.28
◆	78—VEMT2023X01	D	±35	1.3/2.7	5	1	950	860	1	-----	.57	.40	.32	.30
◆	78—VEMT2003X01	F	±35	1.3/2.7	5	1	950	860	1	-----	.57	.40	.32	.30
◆	78—VEMT2523X01	J	±35	1.3/2.7	5	1	950	850	1	-----	.57	.40	.32	.30
◆	78—VEMT2503X01	K	±35	1.3/2.7	5	1	950	850	1	-----	.57	.40	.32	.30
◆	78—VEMT2523SLX01	L	±35	1.3/2.7	5	1	950	850	1	-----	.57	.40	.32	.30
◆	78—VEMT2023SLX01	L	±35	1.3/2.7	5	1	950	860	1	-----	.57	.40	.32	.30
◆	782—VEMT3700F	S	±60	1/200	20	50	850	70	0.5	6/2	.58	.50	.46	.38
◆	782—BPV11F	T	±15	1/50	10	50	930	70	9	6/5	.96	.65	.482	.385
◆	782—BPW85C	U	±25	1/200	20	50	850	70	5	2.0/2.3	.38	.306	.25	.22
◆	782—TEKT5400S	I	±37	1/100	20	100	920	70	4	6/5	.76	.51	.387	.336



EMITTERS

◆ Surface Mount Devices

For quantities greater than listed, call for quote.

MOUSER STOCK NO.		Fig.	Angle of Half Intensity (°)	Radiant Intensity @ IF		Forward Voltage @ IF		Peak Emission Wavelength (nm)	Rise/Fall Times (ns)	Price Each			
Mfr.	Mfr. Part No.			(Min./Typ.) (mW/sr)	(mA)	(Typ./Max.) (V)	(mA)			1	100	500	1000
Standard													
◆	78—CQY37N	V	±12	2.5/5.0	50	1.3/1.6	50	950	400/450	.53	.33	.273	.25
◆	782—TSHA4401	I	±20	16/30	100	1.5/1.8	100	875	600/600	.29	.23	.19	.185
◆	782—TSKS5400S	W	±30	2.0/----	50	1.3/1.7	100	950	400/450	.86	.58	.43	.344
High-Power													
◆	782—TSML1000	U	±12	3/7	20	1.2/1.5	20	940	800/800	.67	.54	.424	.309
◆	782—TSMF1020	F	±17	2.5/5	20	1.3/1.5	20	890	30/30	.78	.63	.495	.348
◆	782—VSLM3710	T	±60	4/8	100	1.35/1.6	100	940	800/800	.51	.41	.306	.213
◆	782—TSAL6100	X	±10	40/60	100	1.35/1.6	100	940	800/800	.55	.294	.201	.151
◆	782—TSAL6200	X	±17	40/60	100	1.35/1.6	100	940	800/800	.55	.294	.201	.151
◆	782—TSAL6400	X	±25	25/40	100	1.35/1.6	100	940	800/800	.55	.294	.201	.151
◆	78—VSMB2943GX01	J	±25	10/20	100	1.35/1.6	100	940	15/15	.59	.41	.36	.324
◆	78—VSMB2943RGX01	K	±25	10/20	100	1.35/1.6	100	940	15/15	.59	.41	.36	.324
◆	78—VSMB2943SLX01	L	±25	10/20	100	1.35/1.6	100	940	15/15	.59	.41	.324	.288
◆	78—VSMB2948SL	L	±25	10/20	100	1.35/1.6	100	940	15/15	.54	.37	.297	.264
◆	78—VSMY2853G	J	±28	20/35	100	1.65/1.9	100	850	10/10	1.10	.528	.407	.363
◆	78—VSMY2853RG	K	±28	20/35	100	1.65/1.9	100	850	10/10	.72	.50	.44	.396
◆	78—VSMY2853SL	L	±28	20/35	100	1.65/1.9	100	850	10/10	.72	.50	.396	.352
◆	782—VSMY98545	Y	±45	350/550	1000	1.8/2.3	1000	850	15/18	6.75	5.67	5.13	4.86
◆	782—VSMY7850X01-GS08	Z	±60	130/170	1000	1.8/2.3	1000	850	15/18	5.40	3.96	3.15	2.70
High Speed													
◆	78—VSMG10850	D	±75	1/1.8	20	1.4/1.65	20	850	15/15	.26	.18	.14	.128
◆	78—VSMB10940	D	±75	1/1.5	20	1.3/1.5	20	940	15/15	.20	.14	.11	.096
◆	78—VSMB10940X01	D	±75	1/1.5	20	1.24/1.5	20	940	15/15	.46	.22	.169	.13
◆	78—VSMB11940X01	AA	±75	1/1.5	20	1.24/1.5	20	940	15/15	.29	.186	.161	.124
◆	782—VSMB14940	BB	±9	10.5/14.5	20	1.24/1.5	20	940	15/15	.43	.32	-	.31
◆	78—VSMF2893GX01	J	±25	10/20	100	1.25/1.4	100	890	30/30	.72	.50	.40	.35
◆	78—VSMF2893RGX01	K	±25	10/20	100	1.25/1.4	100	890	30/30	.72	.50	.40	.35
◆	78—VSMF2893SLX01	L	±25	10/20	100	1.25/1.4	100	890	30/30	.72	.50	.40	.35
◆	78—VSLB9530S	CC	±36	40/60	150	1.05/1.5	100	940	15/15	.98	.686	.532	.42
◆	782—VSMY14940	BB	±9	15/24	20	1.32/1.6	20	940	10/10	.54	.41	-	.39
◆	782—VSMY1850	M	±60	5/15	100	1.65/1.9	100	850	10/10	.68	.64	.57	.47
◆	782—VSMY2850G	F	±10	10/100	100	1.65/1.9	100	850	10/10	.52	.49	.473	.376
◆	782—VSMY2850RG	F	±10	50/100	100	1.65/1.9	100	850	10/10	.52	.49	.473	.376
◆	782—VSMY3850-GS08	T	±60	12/17	100	1.6/1.9	100	850	10/10	.53	.51	.486	.386

VISHAY Opto Components

RoHS Compliant This page of product is RoHS compliant.



EMITTERS (CONT.)

MOUSER STOCK NO.		Fig.	Angle of Half Intensity (°)	Radiant Intensity @ IF		Forward Voltage @ IF		Peak Emission Wavelength (nm)	Rise/Fall Times (ns)	Price Each				
Mfr.	Mfr. Part No.			(mW/sr)	(mA)	(Typ./Max.) (V)	(mA)			1	100	500	1000	
High Speed (Cont.)														
782	—TSHG6210	A	±10	140/230	100	1.5/1.8	100	850	20/13	.72	.58	.51	.48	
782	—VSLB3940	B	±22	32/65	100	1.35/1.6	100	940	15/15	.36	.29	.24	.21	
782	—TSHF6410	A	±22	45/70	100	1.4/1.6	100	890	30/30	.64	.405	.297	.229	
782	—TSHG6400	A	±22	45/70	100	1.5/1.8	100	850	20/13	1.24	.867	.672	.531	
782	—TSHG5510	A	±38	18/32	100	1.45/1.7	100	830	15/15	.97	.78	.641	.562	

IR RECEIVERS FOR 3D TV

Vishay Intertechnology has developed two infrared receivers specifically for the LCD shutter glasses used with 3D-ready TV sets. These receivers are designed to be assembled into active 3D glasses, where they received infrared signals from the TV set and ensure the glasses' LCD shutters open and close in proper synchronization to create the 3D effect.

Features:

- Eliminates possible interference from TV and set-top box remote control signals
- Eliminates interference with remote control emitters and receivers
- Enables more streamlined designs for 3D glasses

For quantities greater than listed, call for quote.

MOUSER STOCK NO.		Fig.	Supply Voltage (V)	Supply Current (Typ.) (mA)	Carrier Freq. (kHz)	Trans. Dist. (m)	Irradiance (Typ.) (mW/sq)	Power Consumption (mW)	Directivity (°)	Burst Length Cycles/Burst	Price Each		
Mfr.	Mfr. Part No.										1	100	500
78	—TSMPT7000TT	C	2.5 to 5.5	0.9	20-60	5	0.15	-	±50	-	1.79	1.25	.969
78	—TSMPT6000TT	D	2.5 to 5.5	0.9	20-60	5	0.15	-	±50	-	1.79	1.27	.987

RECEIVERS

Features:

- High sensitivity for a large transmission range (35m/120ft)
- Available for carrier frequencies from 30kHz up to 56kHz
- No external components necessary
- Output compatible for use with a micro-controller
- Relevant quality certifications ISO 9001, QS9000/DA6.1

Applications:

- TV sets
- Video recorders
- No external components necessary
- Output compatible for use with a micro-controller
- Relevant quality certifications ISO 9001, QS9000/DA6.1
- Slide projectors
- Air-conditioners
- Sensors and Light barrier systems for long distances
- DVD players

For quantities greater than listed, call for quote.

MOUSER STOCK NO.		Fig.	Supply Voltage (V)	Supply Current (Typ.) (mA)	Carrier Frequency (kHz)	Trans. Dist. (m)	Irradiance		Power Consumption (mW)	Directivity (°)	Burst Length Cycles/Burst	Price Each		
Mfr.	Mfr. Part No.						(Max.) mW/m ²	(Min.) W/m ²				1	100	500
782	—TSOP6136	D	4.5 to 5.5	1.2	36	35	0.45	30	10	±50	⇒6	1.17	1.01	.976
782	—TSOP6138	D	4.5 to 5.5	1.2	38	35	0.45	30	10	±50	⇒6	2.15	1.14	.957
782	—TSOP6156	D	4.5 to 5.5	1.2	56	35	0.45	30	10	±50	⇒6	1.17	.943	.776
782	—TSOP6236	D	4.5 to 5.5	1.2	36	35	0.45	30	10	±50	⇒10	1.17	.942	.776
782	—TSOP6238	D	4.5 to 5.5	1.2	38	35	0.45	30	10	±50	⇒10	1.12	.942	.775
782	—TSOP6256	D	4.5 to 5.5	1.2	56	35	0.45	30	10	±50	⇒10	1.17	.942	.776
782	—TSOP75238	E	2.5 to 5.5	3	38	45	0.35	30	10	±50	⇒10	1.66	1.15	.922
782	—TSOP85338AP5TT	F	2.5 to 5.5	-	38	35	30	0.35	10	75	6	2.37	1.61	1.35
782	—TSOP85538AP5TT	F	2.5 to 5.5	-	38	35	30	0.35	10	75	6	2.37	1.61	1.35
782	—TSOP85238AP5TT	F	2.5 to 5.5	-	38	35	30	0.35	10	75	10	1.77	1.18	.99
782	—TSOP85438AP5TT	F	2.5 to 5.7	-	38	35	30	0.35	10	75	10	2.37	1.61	1.35

Thru-Hole

For quantities greater than listed, call for quote.

MOUSER STOCK NO.		Fig.	Supply Voltage (V)	Supply Current (Typ.) (mA)	Carrier Frequency (kHz)	Trans. Dist. (m)	Irradiance		Power Consumption (mW)	Directivity (°)	Burst Length Cycles/Burst	Price Each		
Mfr.	Mfr. Part No.						(Max.) mW/m ²	(Min.) W/m ²				1	100	500
782	—TSOP32338SS1V	G	2.5 to 5.5	0.35	38	45	0.1	30	10	±45	⇒6	.70	.56	.47
782	—TSOP32438SS1V	G	2.5 to 5.5	0.35	38	45	0.1	30	10	±45	⇒6	1.17	.90	.65
782	—TSOP38238SS1V	H	2.5 to 5.5	0.35	38	45	0.15	30	10	±45	⇒6	1.35	.99	.81
782	—TSOP38338SS1V	H	2.5 to 5.5	0.35	38	45	0.15	30	10	±45	⇒6	.72	.65	.59
782	—TSOP2436	G	2.5 to 5.5	3	36	45	0.25	30	10	±45	⇒10	.69	.595	.515
782	—TSOP2438	G	2.5 to 5.5	3	38	45	0.25	30	10	±45	⇒10	.69	.595	.515
782	—TSOP31236	H	2.5 to 5.5	0.35	36	45	0.35	30	10	±45	⇒10	.83	.562	.507
782	—TSOP31238	H	2.5 to 5.5	0.35	38	45	0.35	30	10	±45	⇒10	.85	.717	.591
782	—TSOP38238	H	2.5 to 5.5	3	38	45	0.35	30	10	±45	⇒10	.67	.513	.486
782	—TSSP4038	G	2.5 to 5.5	0.7	38	25	0.7	-	10	±45	-	.66	.64	.526
782	—TSOP32156	G	2.7 to 5.5	1.2	56	35	0.25	30	10	±45	⇒6	.66	.64	.526
782	—TSOP34136	G	2.7 to 5.5	1.2	36	35	0.25	30	10	±45	⇒6	.76	.64	.525
782	—TSOP32238	G	2.7 to 5.5	1.2	38	35	0.25	30	10	±45	⇒10	1.12	.78	.607
782	—TSOP34836	G	2.7 to 5.5	1.2	36	35	0.25	30	10	±45	⇒10	.76	.64	.527
782	—TSOP34838	G	2.7 to 5.5	1.2	38	35	0.25	30	10	±45	⇒10	.76	.64	.527
782	—TSOP34856	G	2.7 to 5.5	1.2	56	35	0.25	30	10	±45	⇒10	.76	.64	.527
782	—TSOP2138	G	4.5 to 5.5	1.2	38	35	0.4	30	50	±45	⇒6	.77	.612	.522
782	—TSOP4138	G	4.5 to 5.5	1.2	38	35	0.35	30	10	±45	⇒6	.51	.445	.412
782	—TSOP2236	G	4.5 to 5.5	1.2	36	35	0.35	30	10	±45	⇒10	.68	.593	.514
782	—TSOP2238	G	4.5 to 5.5	1.2	38	35	0.35	30	10	±45	⇒10	.68	.593	.514
782	—TSOP4830	G	4.5 to 5.5	1.1	30	35	0.35	30	10	±45	⇒10	.69	.595	.515
782	—TSOP4836	G	4.5 to 5.5	1.1	36	35	0.35	30	10	±45	⇒10	.69	.595	.515
782	—TSOP4838	G	4.5 to 5.5	1.1	38	35	0.35	30	10	±45	⇒10	.80	.724	.572
782	—TSOP4840	G	4.5 to 5.5	1.1	40	35	0.35	30	10	±45	⇒10	.69	.595	.515
782	—TSOP4856	G	4.5 to 5.5	1.1	56	35	0.35	30	10	±45	⇒10	1.33	.704	.592

PREAMPLIFIER CIRCUIT FOR IR REMOTE CONTROL

For quantities greater than listed, call for quote.

MOUSER STOCK NO.		Supply Voltage (V)	Supply Current (Typ.) (mA)	Carrier Freq. (kHz)	Output Current (mA)	Power Consumption (mW)	High Level Pulse Width (µs)	Low Level Pulse Width (µs)	Price Each		
Mfr.	Mfr. Part No.								1	100	500
782	—VSOP38338	2.5 to 5.5	0.45	38	5	10	6	6	.96	.584	.434
782	—VSOP58438	2.5 to 5.5	0.85	38	5	10	6	6	.96	.584	.434

AMBIENT LIGHT SENSORS

Features:

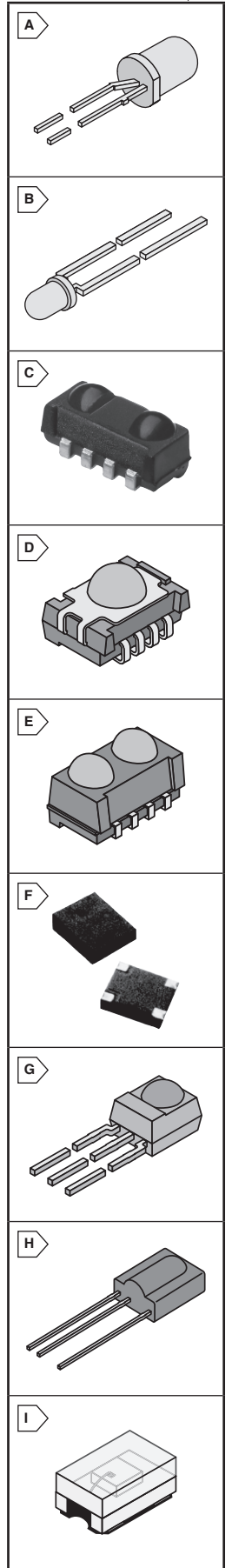
- Adapted to human eye responsivity
- High photo sensitivity
- Suppression filter for near infrared radiation
- Floor life: 168 h, MSL 3, acc. J-ST-020
- AEC-Q101 qualified

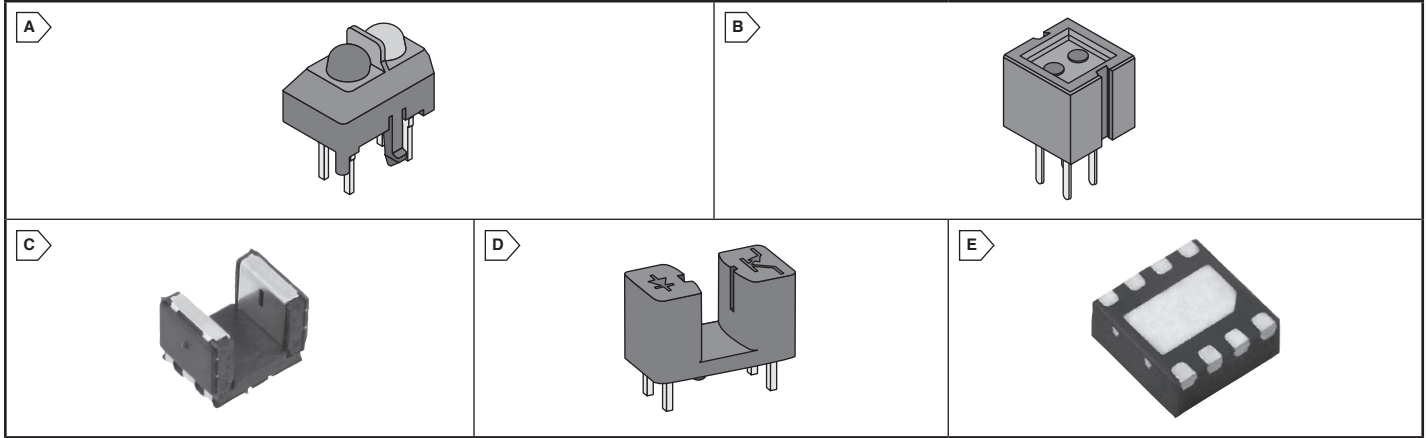
Applications:

- Automotive sensors
- Ambient light sensors
- Mobile phones
- Notebooks
- Computers
- Cameras
- PDAs

For quantities greater than listed, call for quote.

MOUSER STOCK NO.		Fig.	V _{BR}		Angle of Half Intensity (°)	Reverse Dark Current (max.) (nA)	Reverse Light Current (typ.) (µA)	Peak Emission Wavelength (nm)	Diode Capacitance (V _B =0) (pF)	Rise/Fall Times (typ.) (ns)	Price Each		
Mfr.	Mfr. Part No.		(V) (min)	@ IR (µA)							1	100	500
78	—TEMT6000	I	-	-	±60	0.05	10	570	-	-	1.13	.87	.61
782	—TEMT6200F	I	-	-	±60	0.03	4.6	550	-	-	1.12	.796	.619
782	—TEMD6200FX01	I	16	100	±60	5	0.04	540	60	150/150	1.20	.85	.661





Vishay is a leading manufacturer of optical sensors. These sensors integrate an infrared emitter and photo detector in a single package. The most common types of optical sensors are transmissive and reflective sensors. Both types detect the presence of an object without any mechanical or electrical contact. The output signal of the sensor is used to control various functions of an application.

REFLECTIVE THRU-HOLE MOUNT SENSORS

Reflective sensors incorporate an infrared emitter and photo detector adjacent to each other. When an object is in the sensing area, the emitted light is reflected back towards the photo detector, the amount of light energy reaching the detector increases. This change in light energy or photo current is similarly used an input signal in the application.

TCND3000 is a reflective optical sensor for applications using the HALIOS® (High Ambient Light Independent Optical System) principle. It consists of an infrared emitter and a photodetector forming the optical sensing path. According to the HALIOS principle a second infrared emitter is used for compensation of disturbing ambient light.

Features:

- Detector type: pin photodiode
- Dimensions (L x W x H in mm): 4.83 x 2.54 x 2.21
- Peak operating distance: 20mm
- Peak operating range: 10mm to 20mm
- Typical output current under test: IC > 5.6µA
- Daylight blocking filter
- Touch distance: 10mm (1)
- Proximity distance: 20mm (1)
- High ambient light suppression for sunlight: ≥200klx
- High ambient light suppression for CIE standard illuminant A: ≥100klx

Applications:

- Position sensor for shaft encoder
- Detection of reflective material such as paper, IBM cards, magnetic tapes etc.
- Limit switch for mechanical motions in VCR
- General purpose - wherever the space is limited
- Optoelectronic scanning and switching devices i.e., index sensing, coded disk scanning etc. (optoelectronic encoder assemblies).

For quantities greater than listed, call for quote.

MOUSER STOCK NO.		Fig.	V _{CEO}		Forward Voltage (Typ.)(V)	Radiant Intensity (Max.)(mW/sr)	Collector Current (Typ.)(mA)	Peak Wavelength (nm)	Max. Dist. for CTRrel (mm)	Dist. Range for Rel. I _{OUT} >20% (mm)	Daylight Blocking Filter	Price Each			
Mfr.	Mfr. Part No.		(V) (Min.)	@ IC (mA)								1	100	500	1000
782	TCRT5000	A	70	1	1.25	21	1	940	2.5	0.2 to 15	Yes	.98	.68	.61	.55
782	CNY70	B	32	50	1.25	7.5	1	940	0	0 to 5	Yes	.76	.69	.57	.504

TRANSMISSIVE SENSORS

Transmissive sensors, also called interrupter sensors, incorporate an infrared emitter and photo detector that face each other as shown. When an object is located between the emitter and detector in the sensing path, it interrupts or breaks the optical beam of the emitter. The light energy reaching the detector changes. This change in light energy or photo current is used to affect an event in the application.

Applications (TCPT1300):

- Automotive optical sensors
- Accurate position sensor for encoder
- Detection of motion speed

Applications (TCST1230):

- Optical switch
- Shaft encoder

For quantities greater than listed, call for quote.

MOUSER STOCK NO.		Fig.	V _{CEO}		Forward Voltage (Typ.)(V)	Reverse Current (Max.)(µA)	Collector Current (Min.)(mA)	Peak Wavelength (nm)	Aperture (mm)	Dist./Gap (mm)	Rise/Fall Times (Typ.)(µs)	Price Each			
Mfr.	Mfr. Part No.		(V) (Min.)	@ IC (mA)								1	100	500	1000
Surface Mount															
782	TCPT1300	C	20	1	1.2	10	0.3	950	0.3	3	20/30	1.69	1.29	1.04	.82
78	TCPT1350X01	C	20	1	1.2	10	0.7	950	0.3	3	9/16	1.45	.87	.81	.78
78	TCUT1350X01	C	20	1	1.2	10	0.7	950	0.3	3	9/16	1.64	.98	.92	.87
Thru-Hole															
782	TCST1230	D	70	1	1.25	-	0.5	950	0.5	2.8	15/10	1.00	.73	.55	.43

IR CODE LEARNING IC

Vishay Semiconductors' VSOP98260 Pre-amplifier Circuit is designed for use in an IR learning application together with a photo PIN diode or IR LED as optical detector. Compatible with all data formats for IR remote controls and immune to current caused by light sources such as tungsten bulbs or fluorescent lamps. This IC takes the signal from the IR detector and then shapes and amplifies the signal. This will modulate any signal from 20 - 60kHz, and could replace up to 17 discrete components, and the output will accurately correspond to the carrier frequency and data burst length of the input signal.

For quantities greater than listed, call for quote.

MOUSER STOCK NO.		Fig.	Supply Voltage (V)	Supply Current (Typ.) (mA)	Carrier Freq. (kHz)	Price Each			
Mfr.	Mfr. Part No.					1	100	500	1000
78	VSOP98260	E	3.3	0.6-0.9	20-60	.83	.57	.418	.331

IrDA - TRANSCEIVERS

Vishay's infrared data transceivers enable short-distance wireless communication. Design engineers in the growing handheld market trust in their performance and rely on the application engineering support that only Vishay provides. Vishay offers a transceiver for every application.

Applications:

- Mobile Phone
- PDAs
- Notebook Computers
- Digital still and video cameras
- Printers, fax machines, photo copiers, screen projectors
- Data Loggers
- GPS
- Medical data collection
- Kiosks, POS, point and pay devices including IrFM - applications
- Internet TV boxes, video conferencing systems

For quantities greater than listed, call for quote.

MOUSER STOCK NO.		Fig.	Type	Operating Voltage (V)	Input Currents (mA)	Data Rate (Min./Max.) (kbits/s)	Transmit Distance (m)	Logic Voltage (V)	Output Sink Current (mA)	Power Dissipation (Max.) (mW)	Price Each			
Mfr.	Mfr. Part No.										1	100	500	1000
Surface Mount														
782	TFBS4650-TR1	F	Serial	2.4 to 3.6	±40	9.4/115.2	0 to ≥0.3	-	20	250	3.21	2.35	1.87	1.49
782	TFBS4711-TR1	F	Serial	2.4 to 5.5	10	9.4/115.2	0 to 8.0	-	25	-	3.75	3.15	2.70	2.48
782	TFDU4101	F	Serial	2.4 to 5.5	10	2.4/115.2	0 to 1.0	V _{log} =V _{CC}	25	250	5.66	4.15	3.60	3.20